

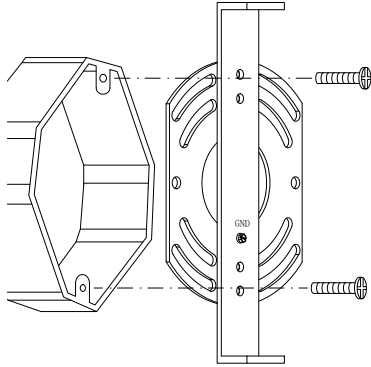
116277UL Wall Lamp Valerius

Attention!

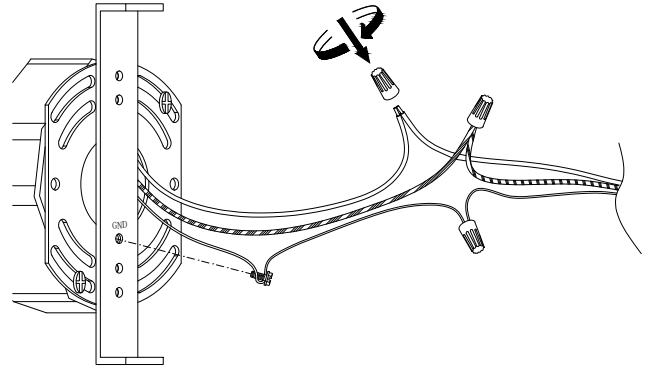
Turn off the electricity supply at the main circuit panel before installing.
Do not connect the electricity supply until your luminaire is fully assembled and installed.

Care instructions:

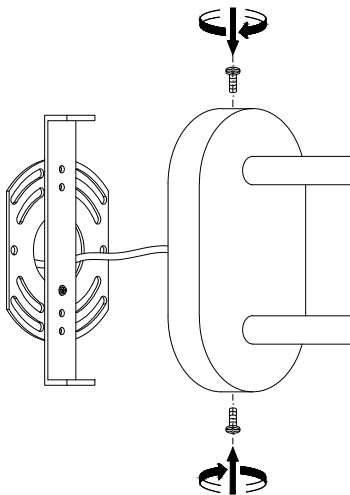
Wipe with a soft cloth, do not use chemicals or abrasive cleaning materials.



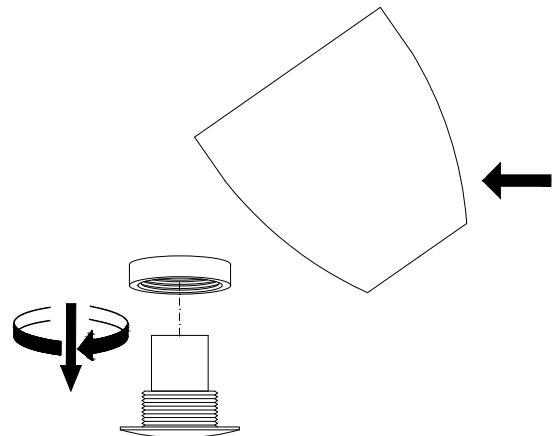
1. Fix the ceiling plate to the wall by using mounting plugs and screws suitable to your wall type.



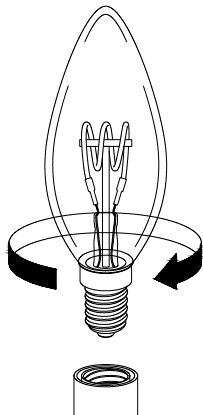
2. Connect the three wires according to their colours. The thick is the live wire (L), coarse the neutral wire (N), brass is the earth wire (E).



3. Place the lamp over the crossbar and fix it securely with the screws supplied.



4. Place the alabaster shade and fix them with the rings.



6 X E12

5. Place the bulbs.