

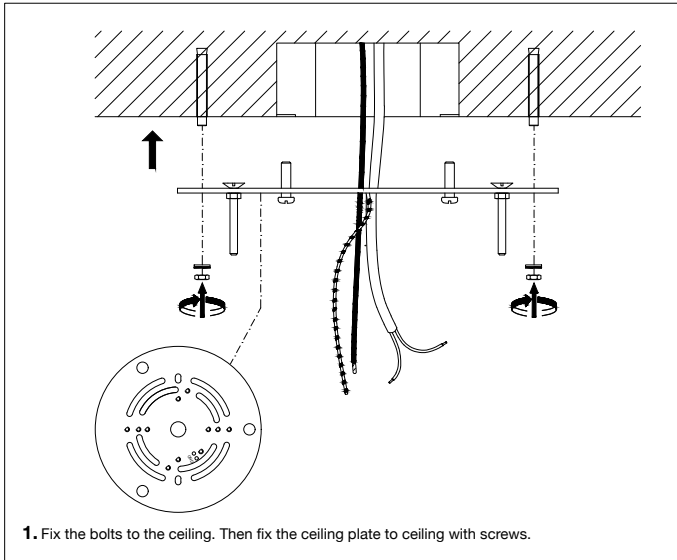
115300UL Chandelier Donovan

Attention!

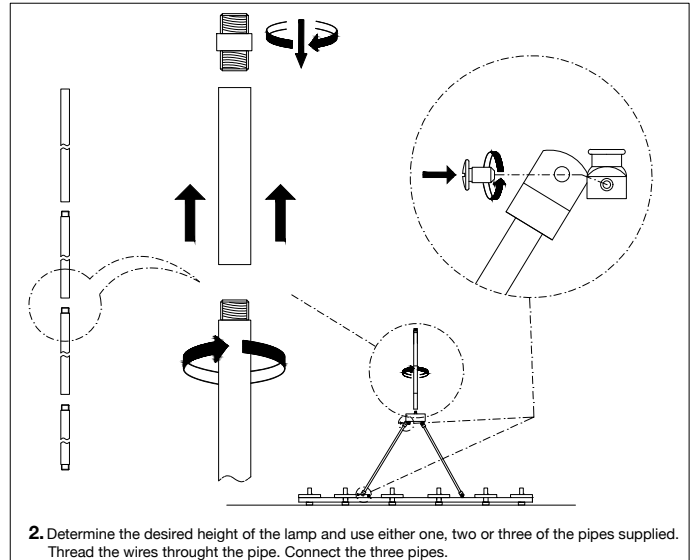
Turn off the electricity supply at the main circuit panel before installing. Do not connect the electricity supply until your luminaire is fully assembled and installed.

Care instructions:

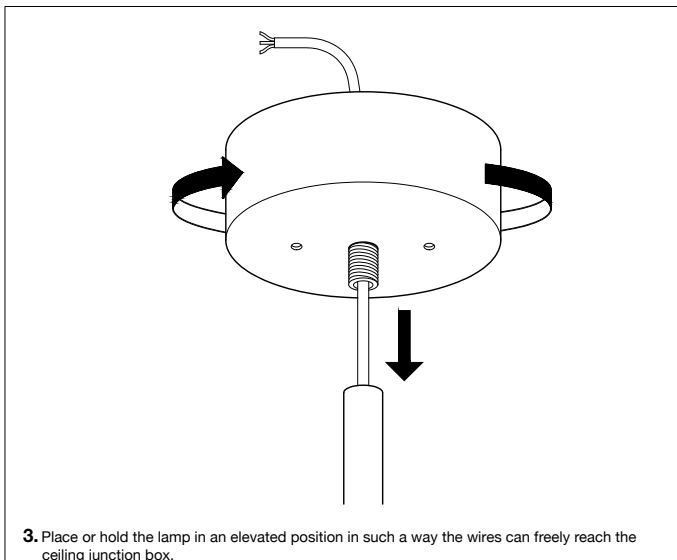
Wipe with a soft cloth, do not use chemicals or abrasive cleaning materials.



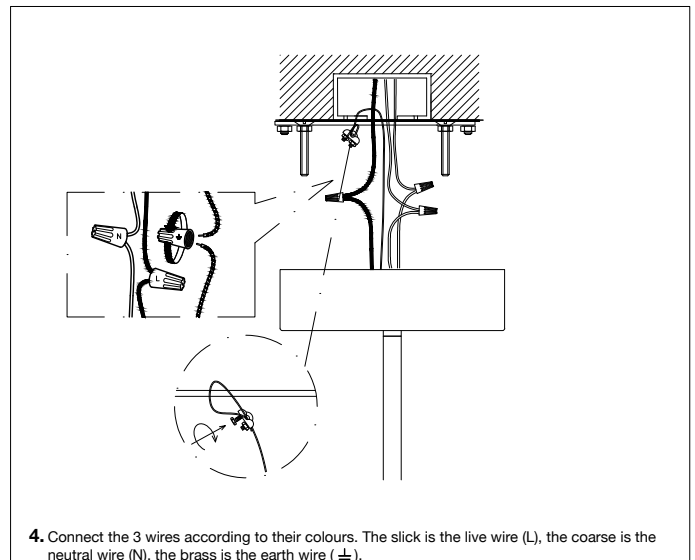
1. Fix the bolts to the ceiling. Then fix the ceiling plate to ceiling with screws.



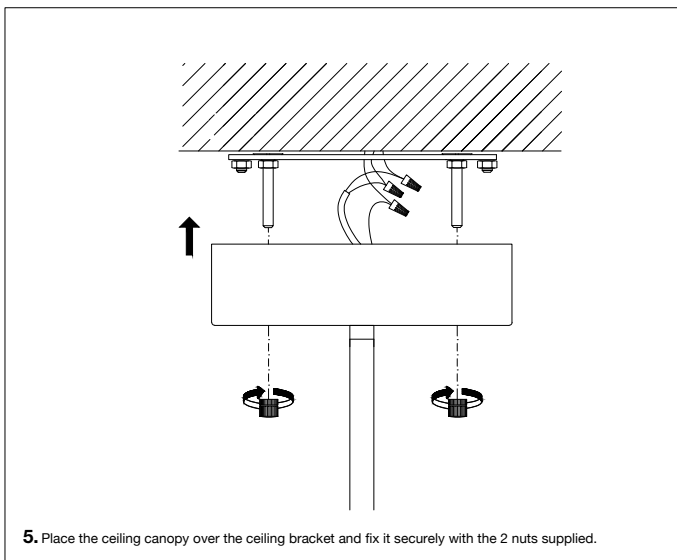
2. Determine the desired height of the lamp and use either one, two or three of the pipes supplied. Thread the wires through the pipe. Connect the three pipes.



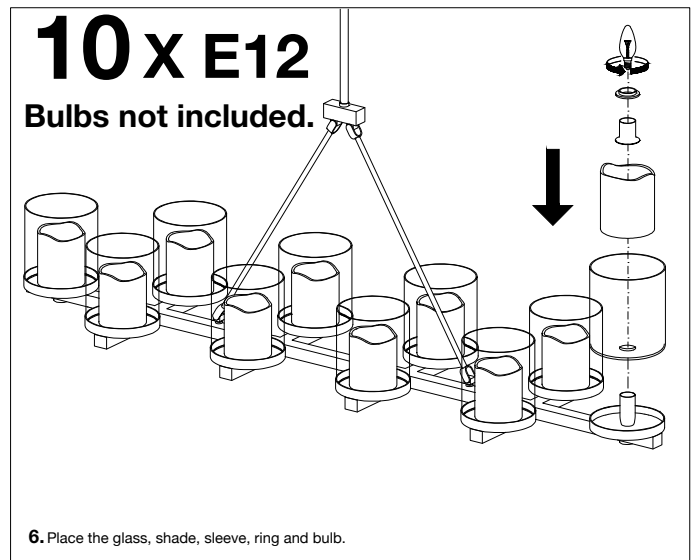
3. Place or hold the lamp in an elevated position in such a way the wires can freely reach the ceiling junction box.



4. Connect the 3 wires according to their colours. The slick is the live wire (L), the coarse is the neutral wire (N), the brass is the earth wire (\perp).



5. Place the ceiling canopy over the ceiling bracket and fix it securely with the 2 nuts supplied.



10 X E12
Bulbs not included.

6. Place the glass, shade, sleeve, ring and bulb.