

Item type

Chandelier

Item name

Biba

Attention!

Turn off the electricity supply at the main circuit panel before installing.
Do not connect the electricity supply until your luminaire is fully assembled and installed.

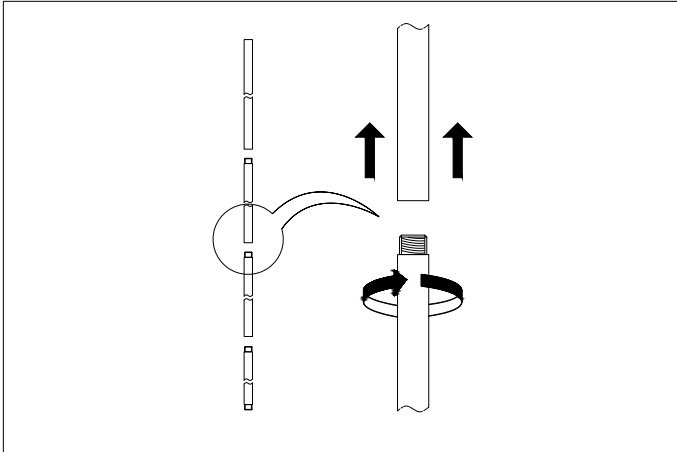
Care instructions:

Wipe with a soft cloth, do not use chemicals or abrasive cleaning materials.

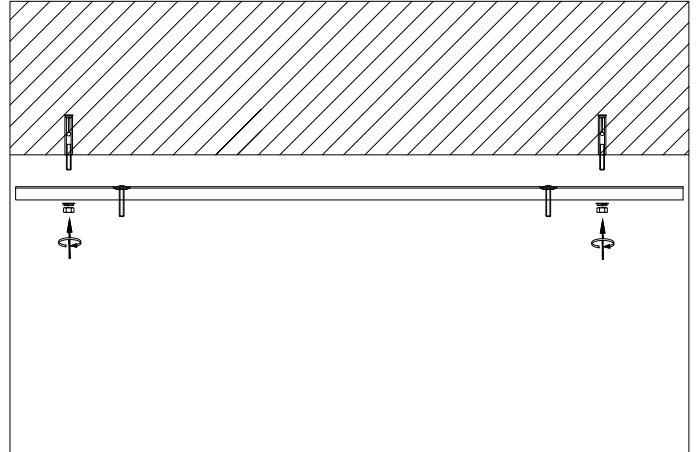
Eichholtz B.V.

Delfweg 52
2211 VN Noordwijkerhout
The Netherlands

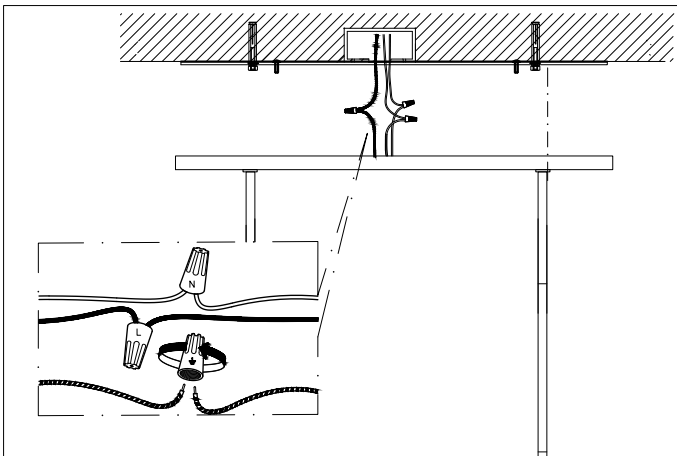
🏠 www.eichholtz.com
✉ service@eichholtz.com
☎ +31 (0)252 515 850



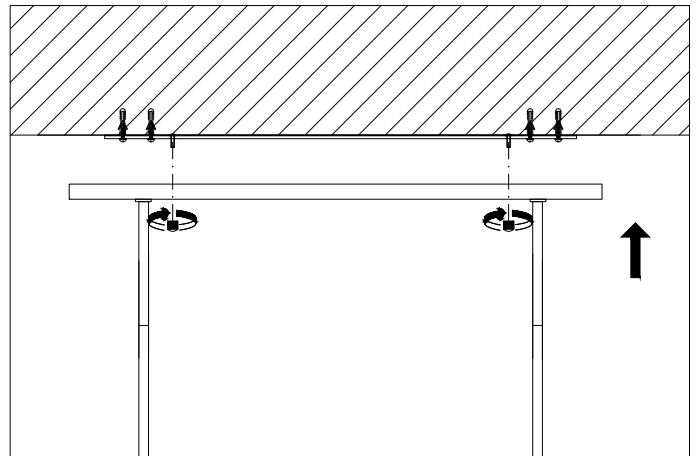
1. Determine the desired height of the lamp and use either one, two or three of the pipes supplied. Thread the wires through the pipe.



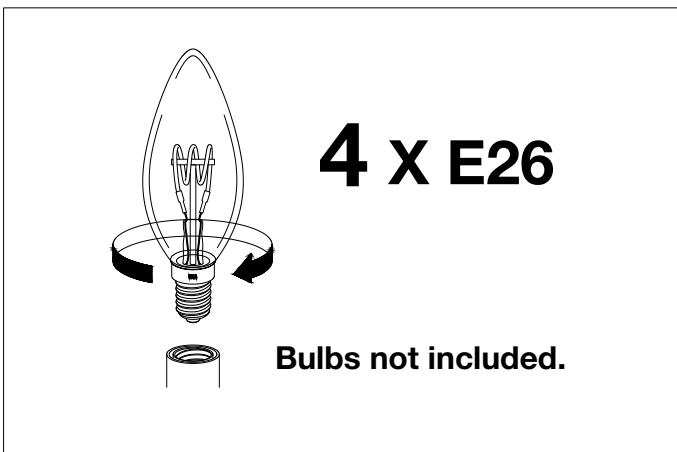
2. Fix the ceiling plate to the ceiling by using bolts and screws suitable to your ceiling type.



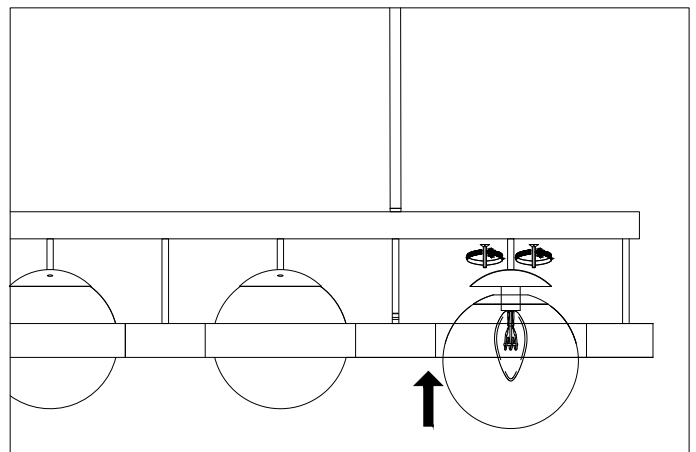
3. Connect the 3 power wires according to their colours. Black is the live wire, white is the neutral wire and brass wire is the earth wire.



4. Place the ceiling canopy over the ceiling plate and fix it securely with the bolts.



5. Place the bulbs.



6. Place the glass and fix it with the screws.