

**Item type**

Chandelier

**Item name**

Bolzano

**Attention!**

Turn off the electricity supply at the main circuit panel before installing. Do not connect the electricity supply until your luminaire is fully assembled and installed.

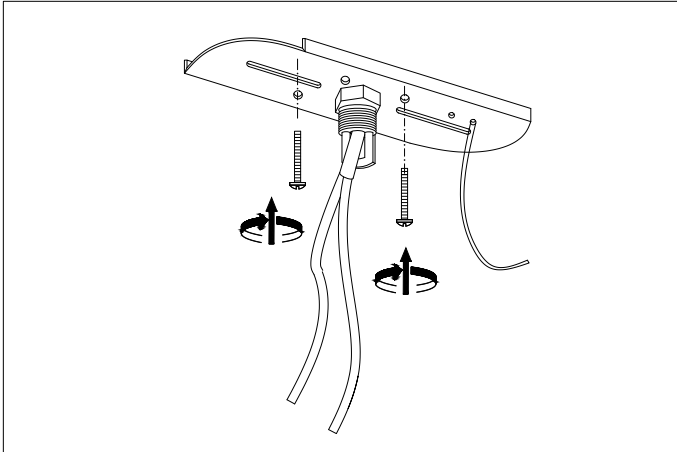
**Care instructions:**

Wipe with a soft cloth, do not use chemicals or abrasive cleaning materials.

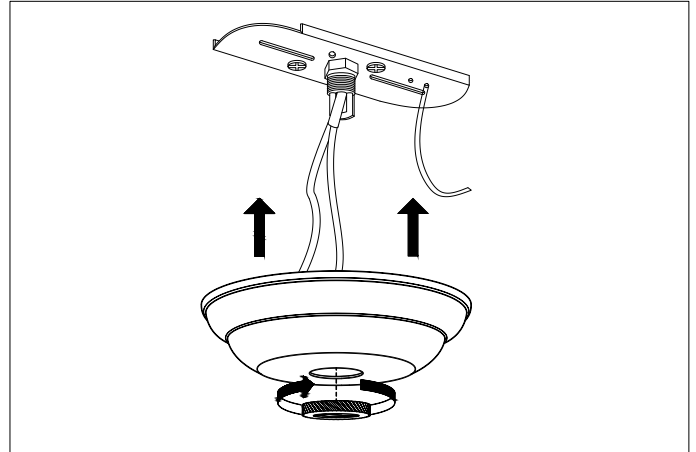
**Eichholtz B.V.**

Delfweg 52  
2211 VN Noordwijkerhout  
The Netherlands

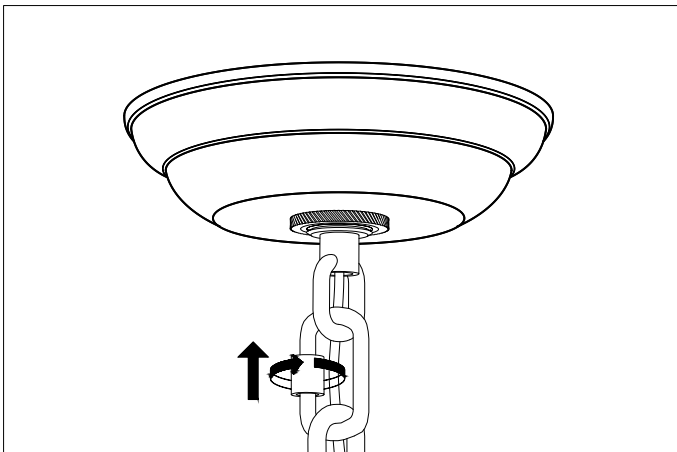
🏠 [www.eichholtz.com](http://www.eichholtz.com)  
✉ [service@eichholtz.com](mailto:service@eichholtz.com)  
☎ +31 (0)252 515 850



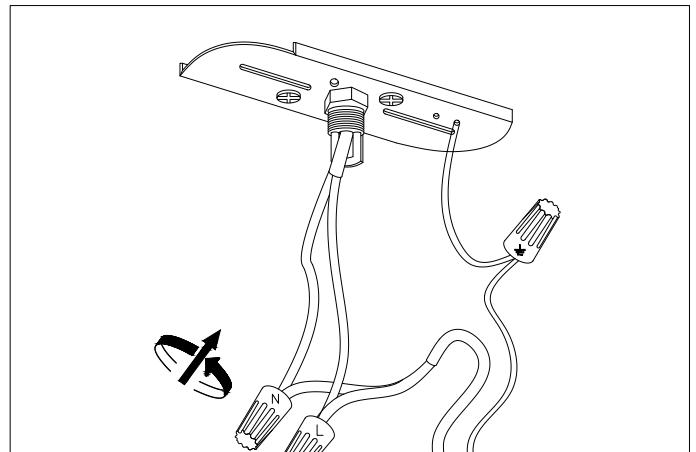
1. Lead the wires from your ceiling through the hole of the ceiling plate. Fix the ceiling plate to the ceiling by using mounting plugs and screws suitable to your ceiling type.



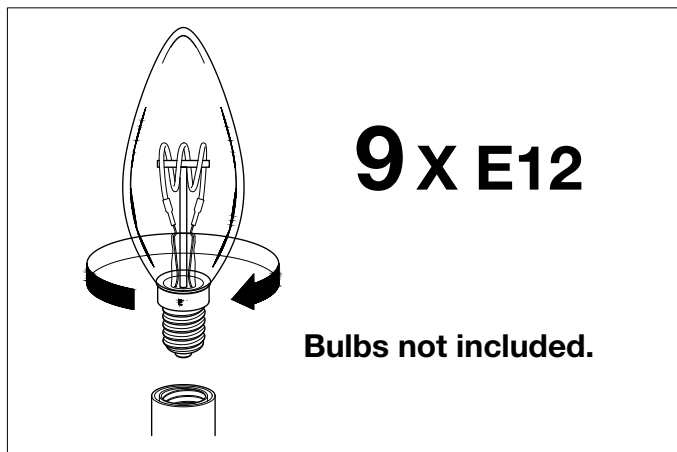
2. Slide the canopy over the ceiling plate and fix the retaining nut.



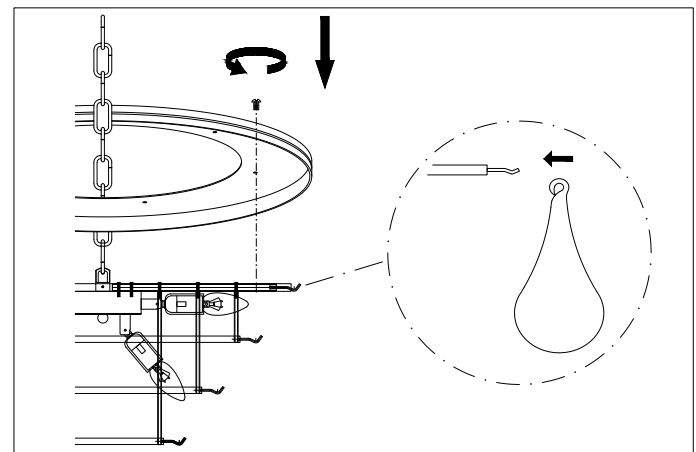
3. Hang the lamp from the suspension eye, using the chain and carabiner. Carefully lower the lamp until the chain is taut. Straighten the chain links.



4. Loosen the retaining nut and move the canopy down. Connect the 3 wires. The slick wire is the live wire, the coarse wire is the neutral wire, brass is the earth wire. Slide the canopy up and fix it with the retaining nut.



5. Place the bulbs.



6. Hang the glass decorations on the hooks, alternating the large and small decorations. Securely fix the top plate to the lamp frame with the screws supplied.