

Item type

Chandelier

Item name

Sublime

Attention!

Turn off the electricity supply at the main circuit panel before installing.
Do not connect the electricity supply until your luminaire is fully assembled and installed.

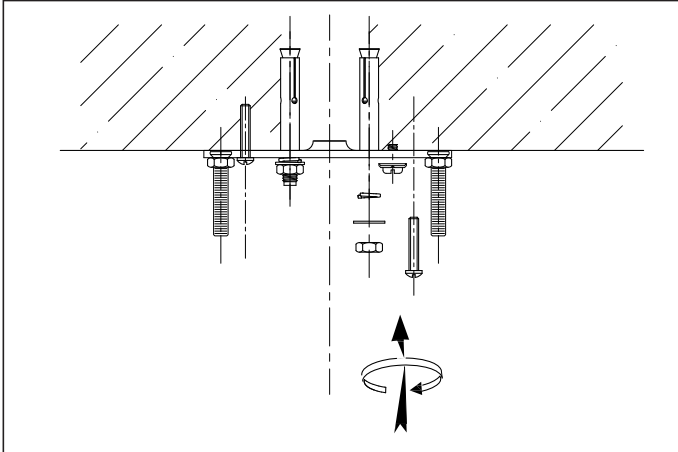
Care instructions:

Wipe with a soft cloth, do not use chemicals or abrasive cleaning materials.

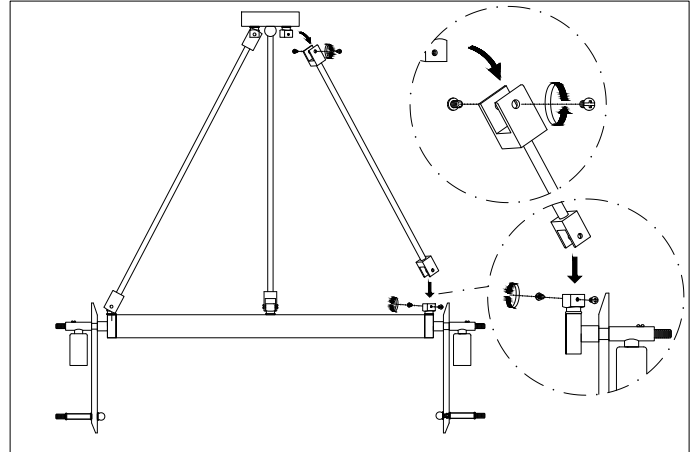
Eichholtz B.V.

Delfweg 52
2211 VN Noordwijkerhout
The Netherlands

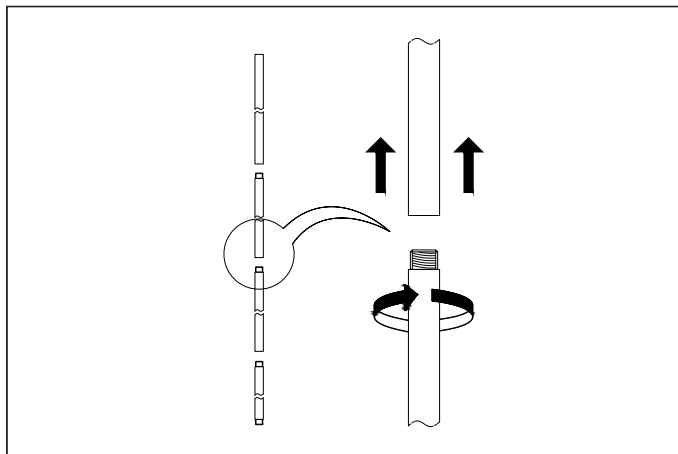
www.eichholtz.com
 service@eichholtz.com
 +31 (0)252 515 850



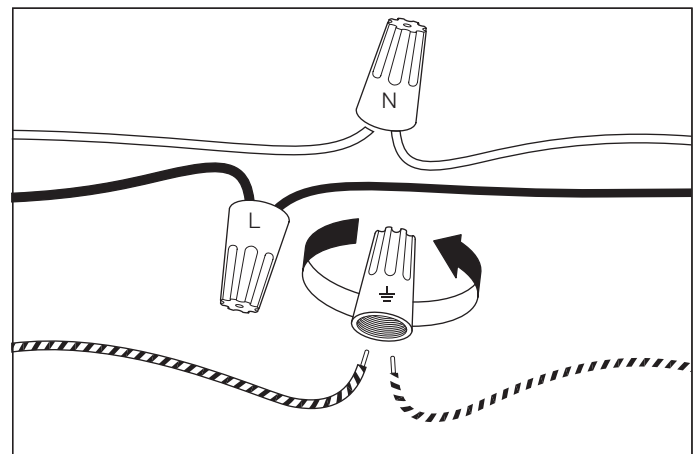
1. Fix the bolts to the ceiling. Then fix the ceiling plate to ceiling with screws.



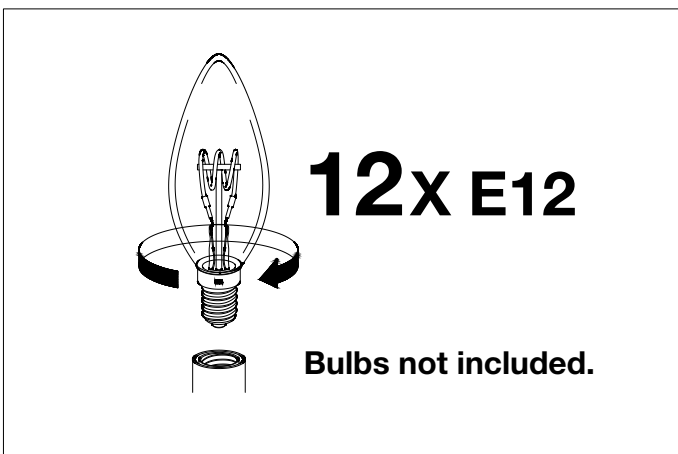
2. Connect the three pipes.



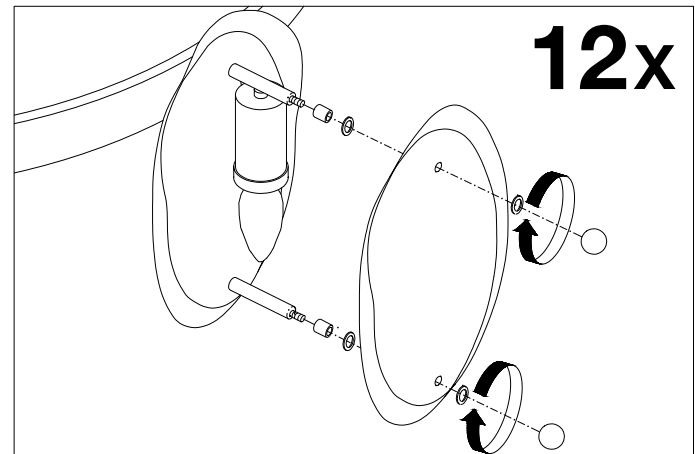
3. Determine the desired height of the lamp and use either one, two or three of the pipes supplied. Thread the wires through the pipe.



4. Connect the three wires. The slick wire is the live wire, the coarse wire is the neutral wire, brass is the earth wire.

**12x E12****Bulbs not included.**

5. Place the bulbs.

**12x**

6. Attach the glass to the lamp with the screws supplied.