

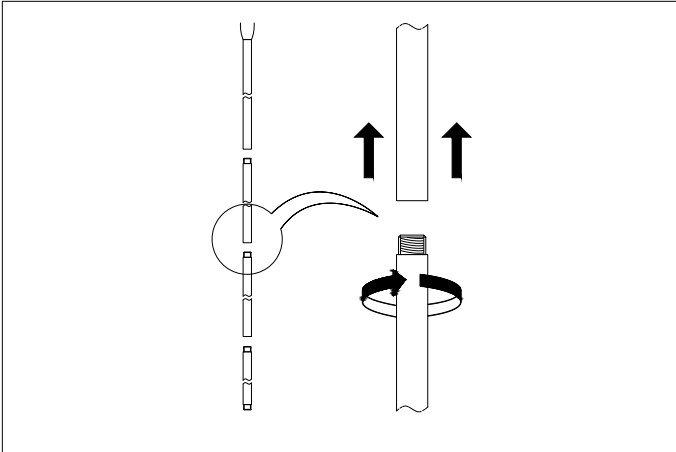
Item type
Chandelier
Item name
Thibaud

Attention!
Turn off the electricity supply at the main circuit panel before installing.
Do not connect the electricity supply until your luminaire is fully assembled and installed.

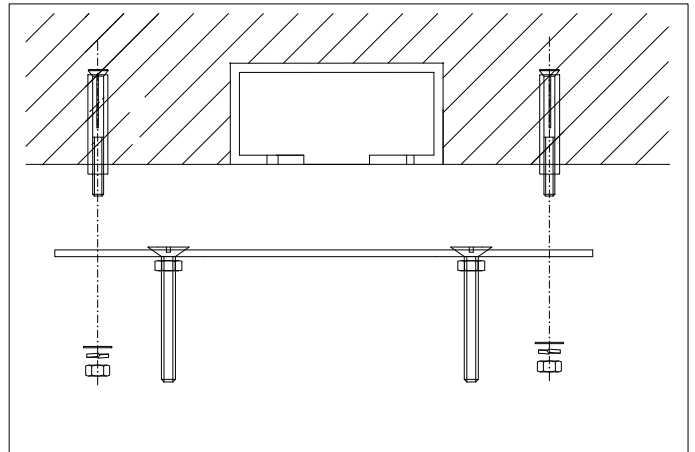
Care instructions:
Wipe with a soft cloth, do not use chemicals or abrasive cleaning materials.

Eichholtz B.V.
Delfweg 52
2211 VN Noordwijkerhout
The Netherlands

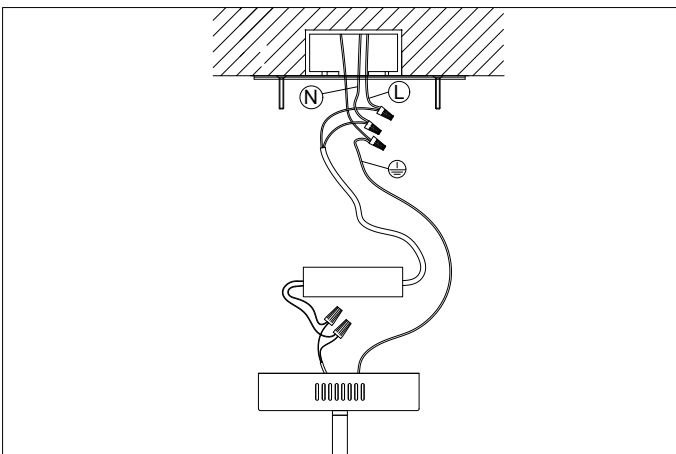
🏠 www.eichholtz.com
✉ service@eichholtz.com
☎ +31 (0)252 515 850



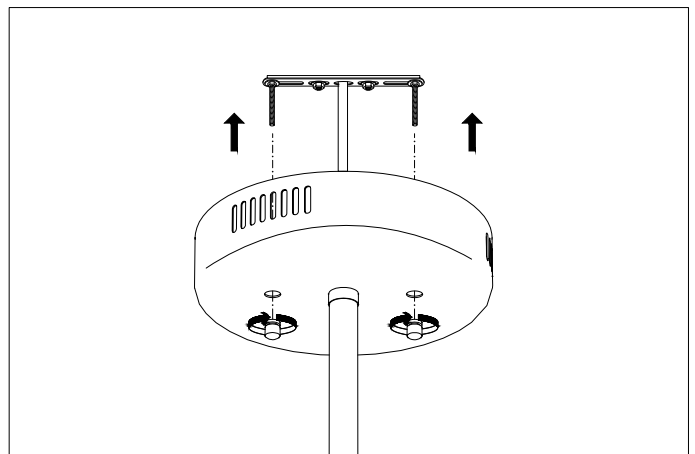
1. Determine the desired height of your chandelier and connect the extension pipes. Thread the wires through the pipes.



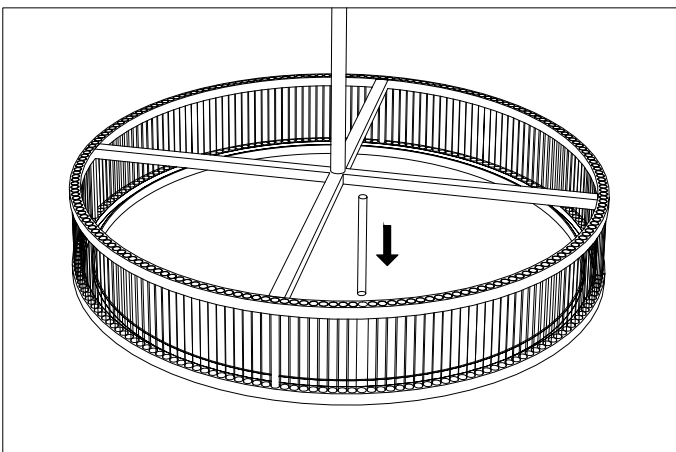
2. Fix the ceiling bracket to the ceiling by using mounting plugs and screws suitable for your ceiling type.



3. Hold the lamp in an elevated position in such a way that the wires can freely reach the ceiling junction box. Connect the 3 wires according to their colors. Black is the live wire, white is the neutral wire and brass wire is the earth wire.



4. Slide the canopy over the ceiling bracket and fix it with the two nuts.



5. Place the glass.