



Item type

Wall Lamp

Item name

Amalfi

Item no

114336UL

Attention! Do not connect your luminaire to electricity until it is fully assembled.

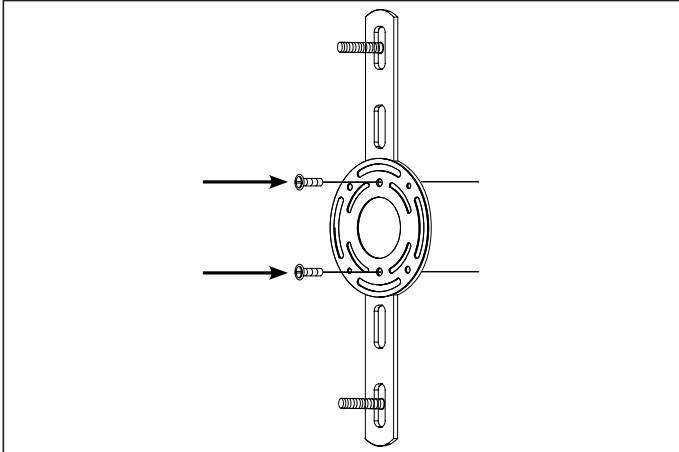
Care instructions:

Wipe with a soft dry cloth, do not use chemicals or abrasive cleaning materials.

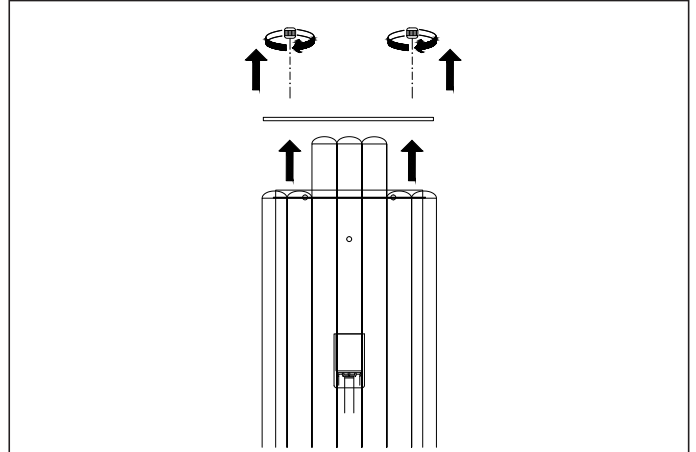
Eichholtz B.V.

Delfweg 52
2211 VN Noordwijkerhout
The Netherlands

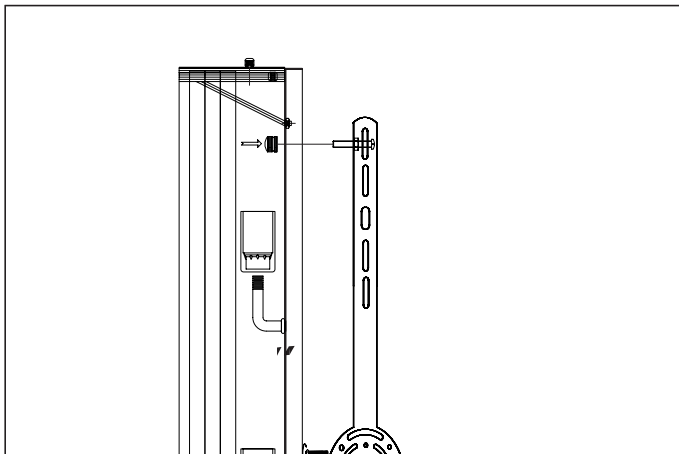
🏠 www.eichholtz.com
✉ service@eichholtz.com
☎ +31 (0)252 515 850



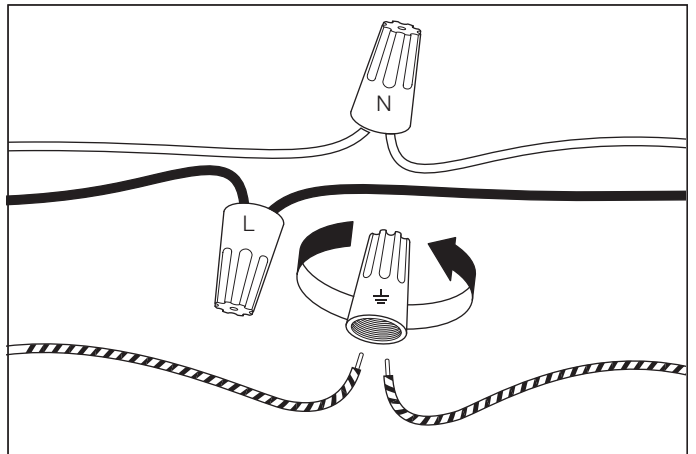
1. Fix the crossbar to the wall



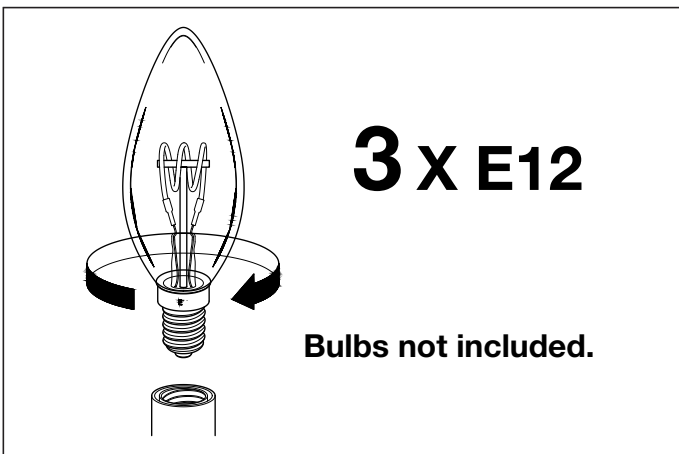
2. Remove the 2 nuts and the metal plate from the top. Take out the 3 glass tubes from the middle position.



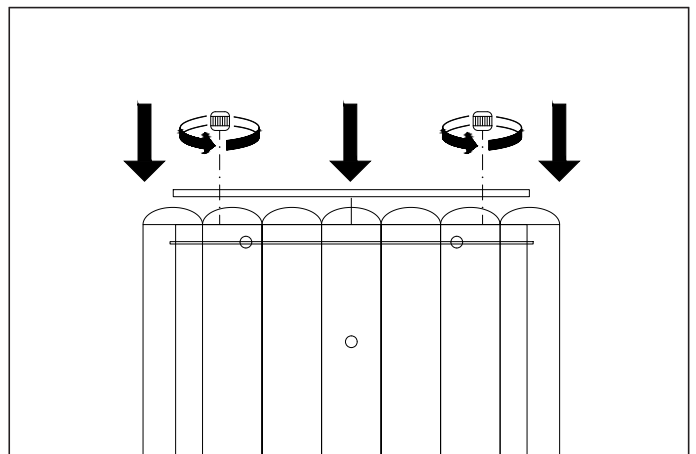
3. Fix the lamp to the crossbar with the screws supplied.



4. Connect the 3 wires according to their colors. Black is the live wire, white is the neutral wire and brass wire is the earth wire.



5. Place the bulbs.



6. Place the glass and fix the metal plate with the two nuts.