

Item type

Chandelier

Item name

Damien Double

Attention!

Turn off the electricity supply at the main circuit panel before installing. Do not connect the electricity supply until your luminaire is fully assembled and installed.

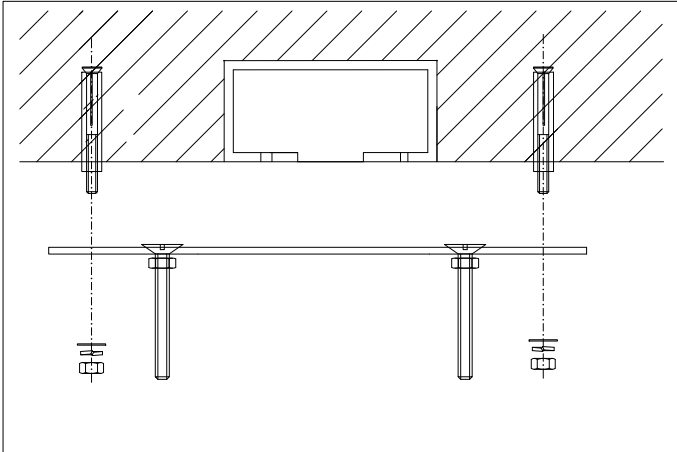
Care instructions:

Wipe with a soft cloth, do not use chemicals or abrasive cleaning materials.

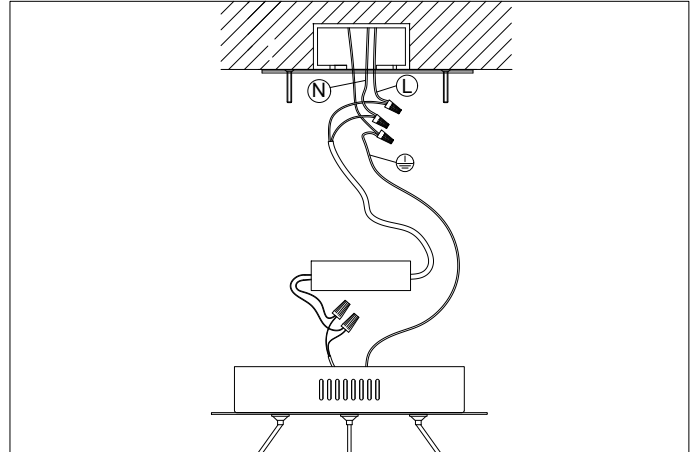
Eichholtz B.V.

Delfweg 52
2211 VN Noordwijkerhout
The Netherlands

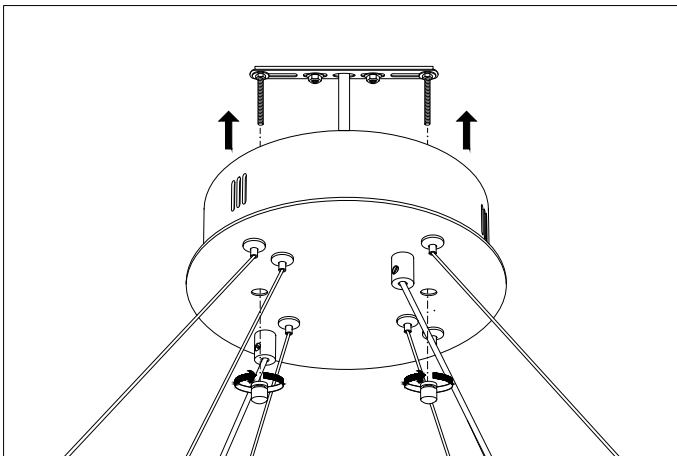
🏠 www.eichholtz.com
✉ service@eichholtz.com
☎ +31 (0)252 515 850



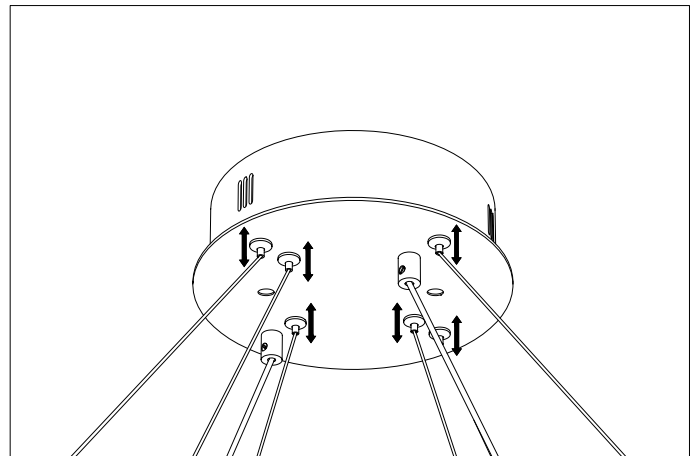
1. Fix the ceiling bracket to the ceiling by using mounting plugs and screws suitable to your ceiling type.



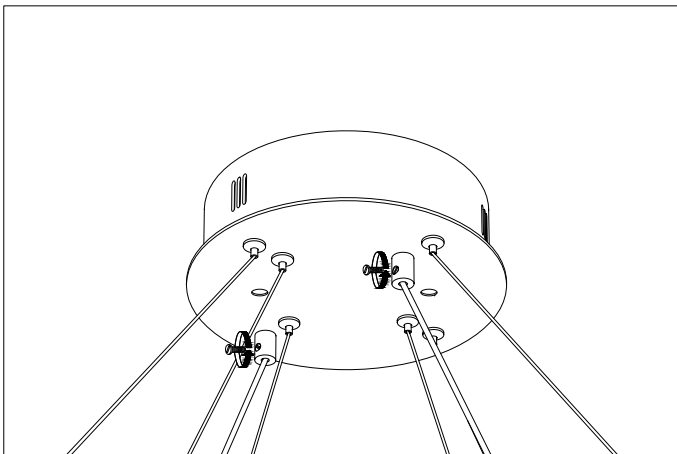
2. Place or hold the lamp in an elevated position in such a way that the wires can freely reach the ceiling junction box. Connect the 3 power wires according to their colors. Black is the live wire, white is the neutral wire and brass wire is the earth wire.



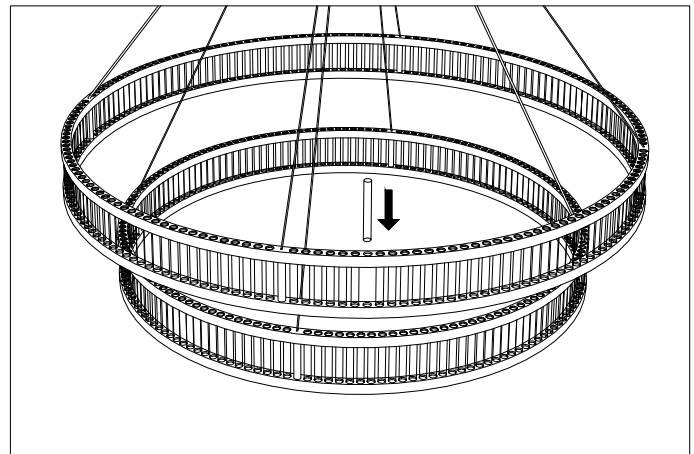
3. Slide the canopy over the ceiling bracket and fix it with the two nuts.



4. Adjust the length of the steel wires by pressing the wire lock on the ceiling canopy and pulling/pushing the wire through.



5. Release the screws on the side of the wire cylinders and adjust the length of the wire.



6. Place the glass.