

**Item type**

Chandelier

**Item name**

Verbier S

**Attention!**

Turn off the electricity supply at the main circuit panel before installing.  
Do not connect the electricity supply until your luminaire is fully assembled and installed.

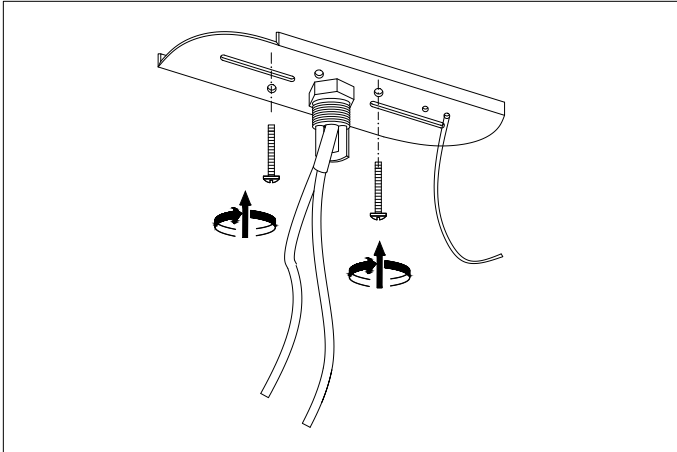
**Care instructions:**

Wipe with a soft cloth, do not use chemicals or abrasive cleaning materials.

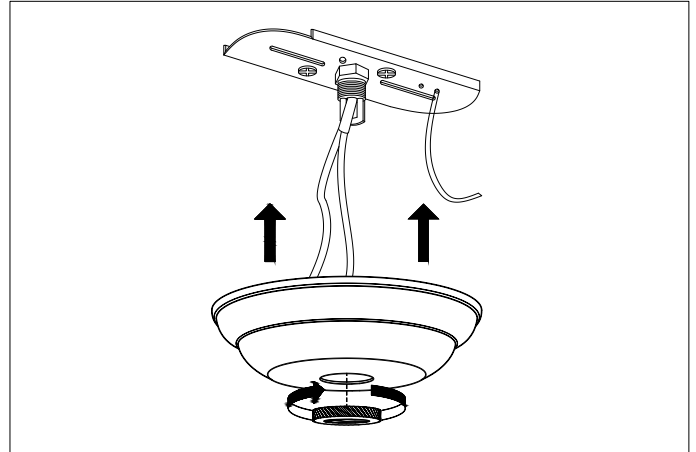
**Eichholtz B.V.**

Delfweg 52  
2211 VN Noordwijkerhout  
The Netherlands

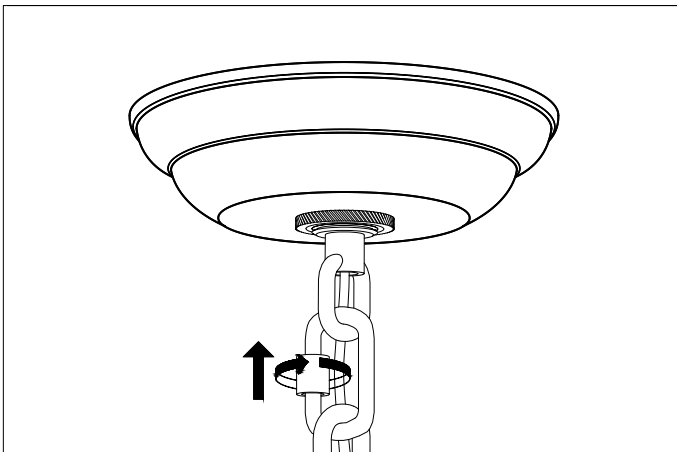
🏠 [www.eichholtz.com](http://www.eichholtz.com)  
✉ [service@eichholtz.com](mailto:service@eichholtz.com)  
☎ +31 (0)252 515 850



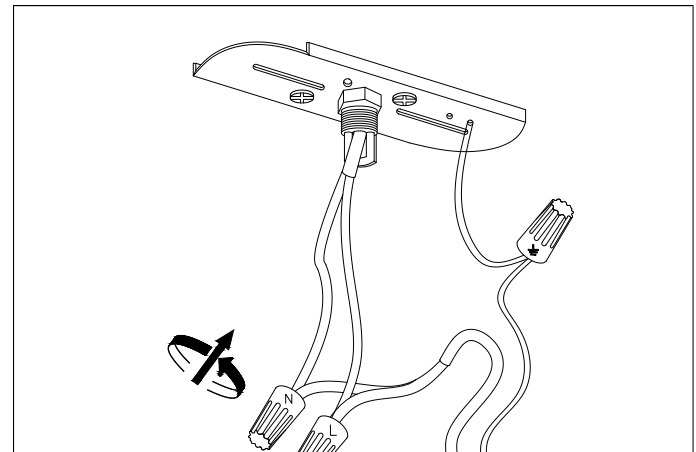
1. Fix the ceiling plate to the ceiling by using mounting plugs and screws suitable to your ceiling type.



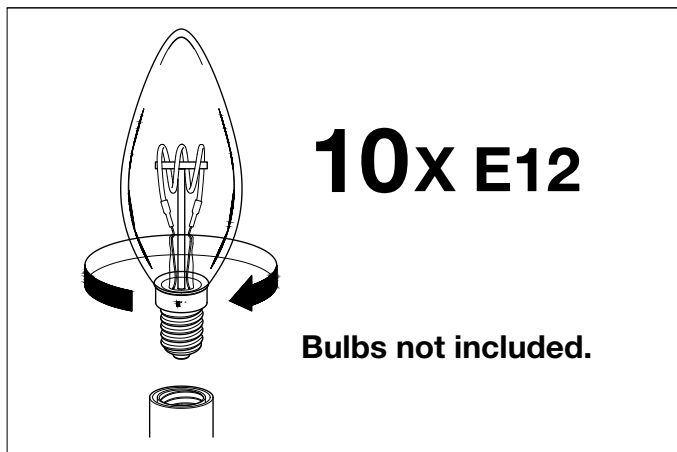
2. Slide the canopy over the ceiling plate and fix the retaining nut.



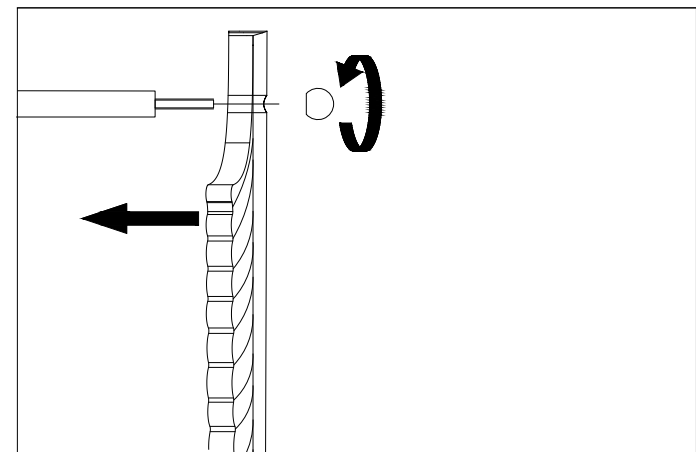
3. Hang the lamp from the suspension eye, using the chain and carabiner. Carefully lower the lamp until the chain is taut. Straighten the chain links.



4. Loosen the retaining nut and move the canopy down. Connect the 3 wires. The slick wire is the live wire, the coarse wire is the neutral wire, brass is the earth wire. Slide the canopy up and fix it with the retaining nut.



5. Place the bulbs.



6. Place the glass.