

Item type

Chandelier

Item name

Randall

Attention!

Turn off the electricity supply at the main circuit panel before installing.
Do not connect the electricity supply until your luminaire is fully assembled and installed.

Care instructions:

Wipe with a soft cloth, do not use chemicals or abrasive cleaning materials.

Eichholtz B.V.

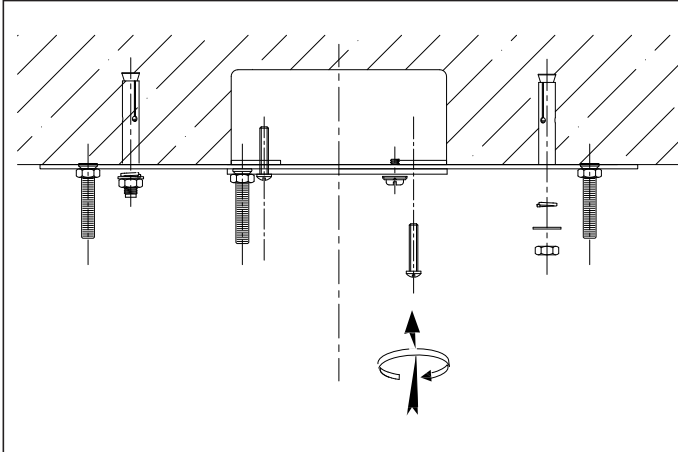
Delfweg 52

2211 VN Noordwijkerhout

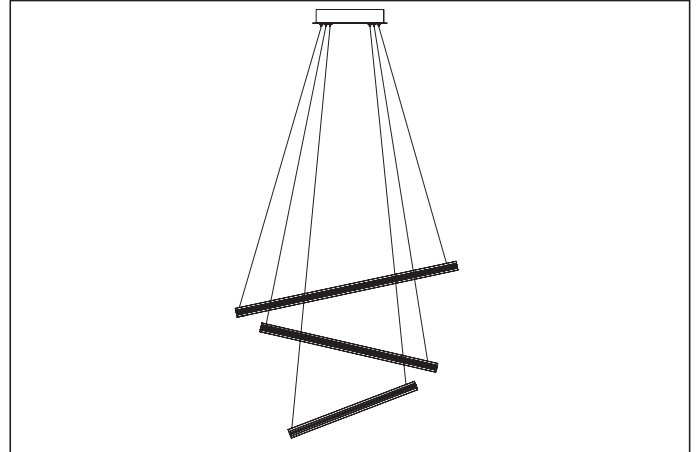
The Netherlands

www.eichholtz.com service@eichholtz.com

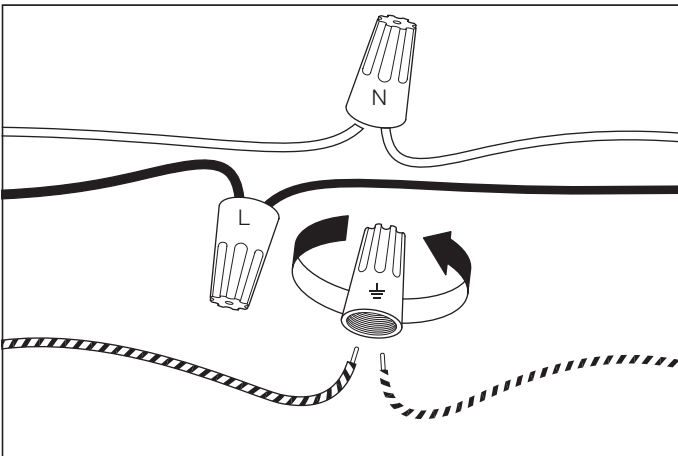
+31 (0)252 515 850



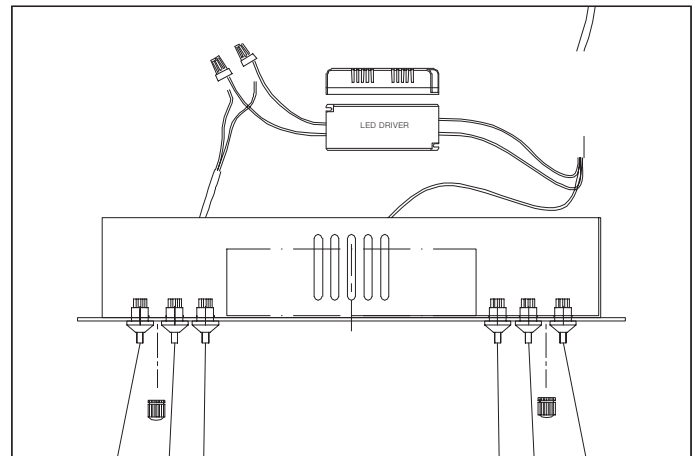
1. Fix the bolts to the ceiling. Then fix the ceiling plate to ceiling with screws.



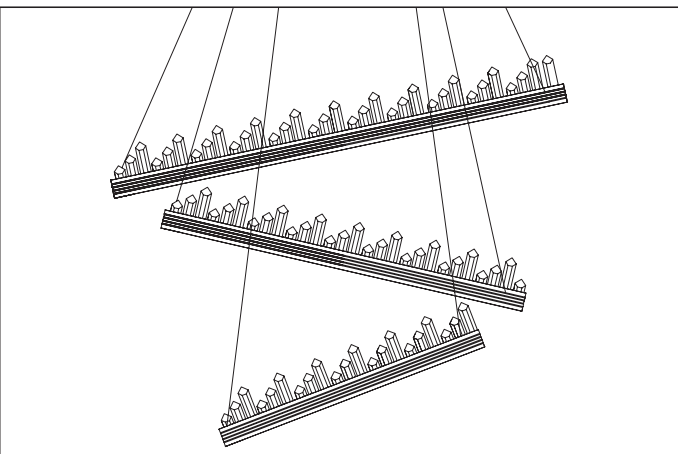
2. Determine the approximate desired height of the lamp and position of the rings and adjust the length of the steel wires by pressing the wire lock on the ceiling canopy and pulling/pushing the wire through. Adjust the height of the electric wires by pulling them through the wire nuts and fix each wire in the correct position with the screw on the side.



3. Connect the three wires. The slick wire is the live wire, the coarse wire is the neutral wire, brass is the earth wire.



4. Place the canopy over the wall plate and fix it with the four nuts.



5. Place the crystal glass decorations in each ring; 37 pcs of each size in the large ring, 29 pcs of each size in the medium ring and 21 pcs of each size in the small ring. Keep approximately 3-5mm space between them for better distribution of the light.