



Item type

Floor Lamp

Item name

Cassini

Attention!

Do not connect your luminaire to electricity until it is fully assembled.

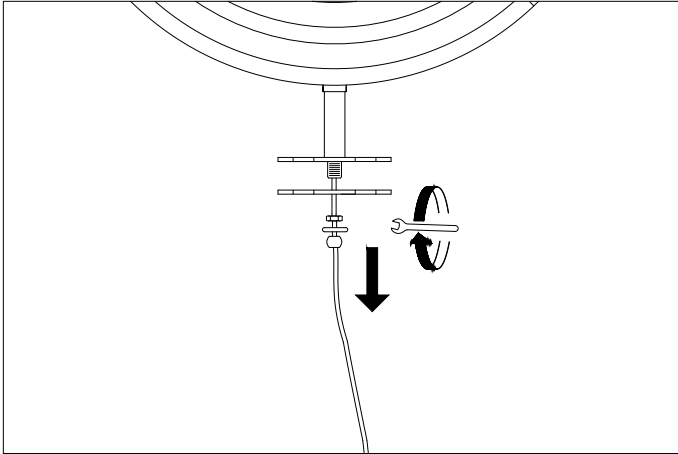
Care instructions:

Wipe with a soft cloth, do not use chemicals or abrasive cleaning materials.

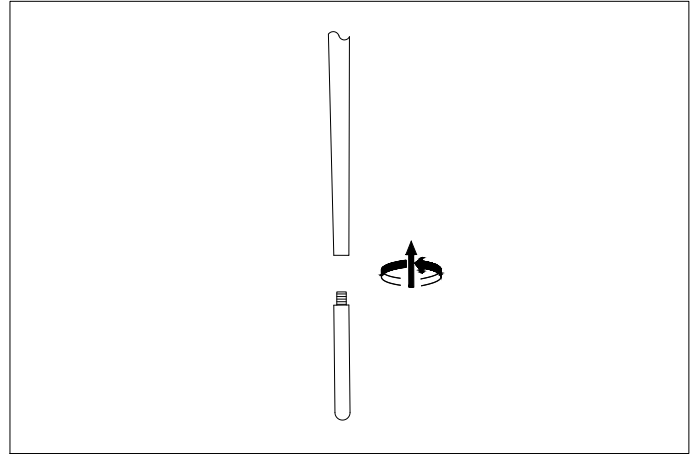
Eichholtz B.V.

Delfweg 52
2211 VN Noordwijkerhout
The Netherlands

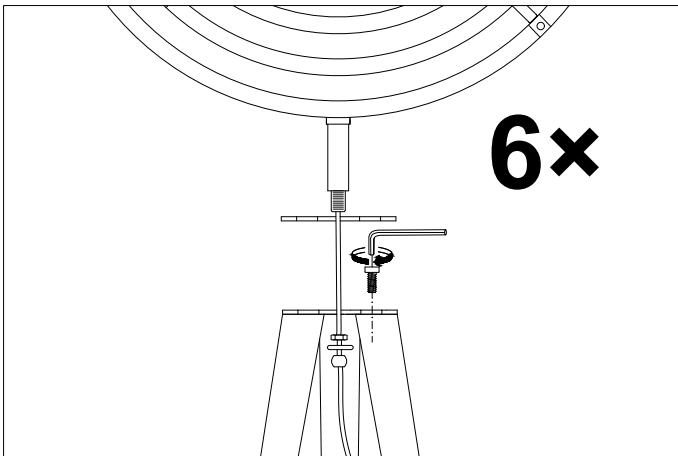
🏠 www.eichholtz.com
✉ service@eichholtz.com
☎ +31 (0)252 515 850



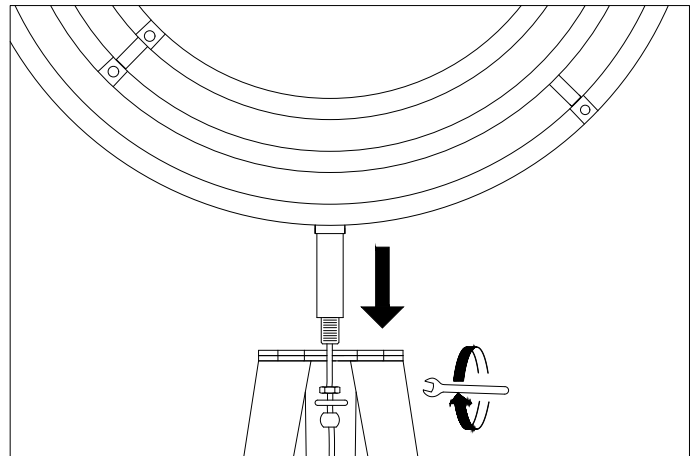
1. Screw off the final and the nut and separate the metal plate.



2. Screw the rods into the tubes.



3. Connect the metal plate to the legs with screws supplied.



4. Place the center pipe through the metal sheet and fix it with the nut and the final.