



Item type

Chandelier

Item name

Marly

Item no

112858UL

Attention! Do not connect your luminaire to electricity until it is fully assembled.

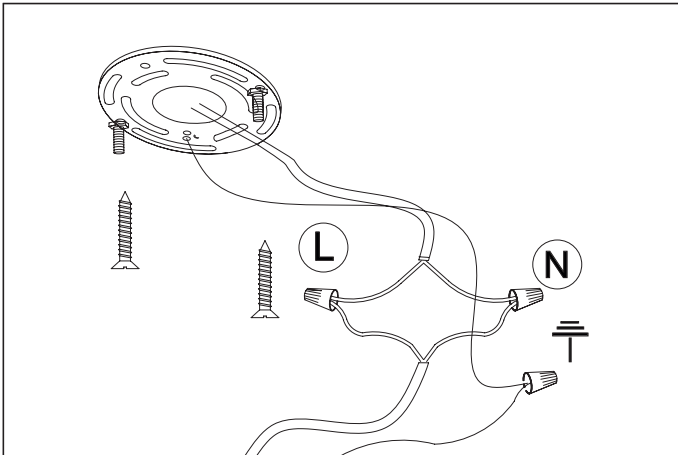
Care instructions:

Wipe with a soft dry cloth, do not use chemicals or abrasive cleaning materials.

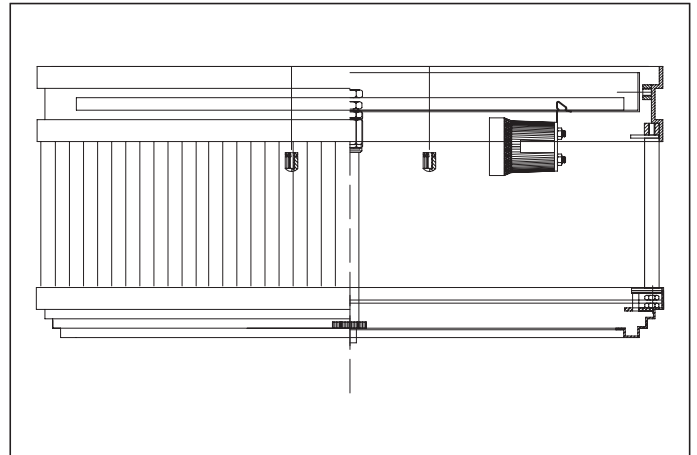
Eichholtz B.V.

Delfweg 52
2211 VN Noordwijkerhout
The Netherlands

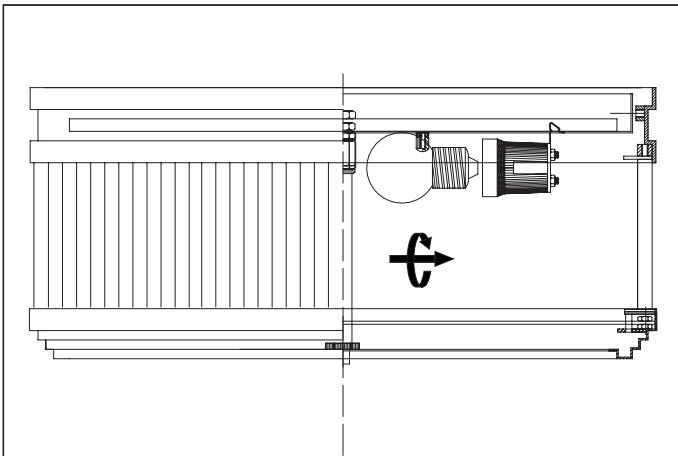
🏠 www.eichholtz.com
✉ service@eichholtz.com
☎ +31 (0)252 515 850



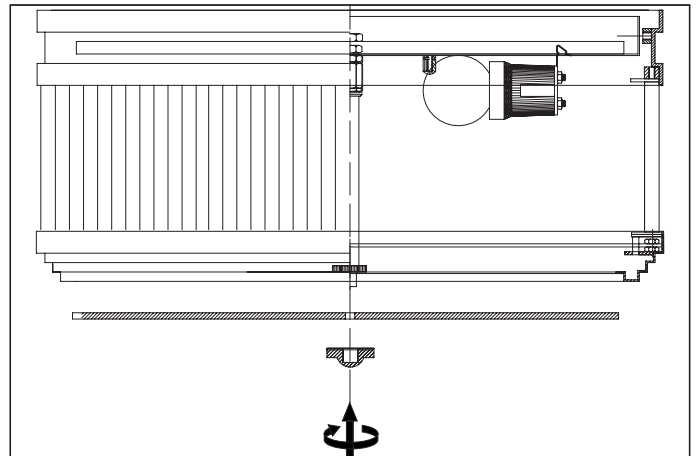
1. Fix the ceiling plate to the ceiling by using wall mounting plugs and screws suitable for your wall type.
Connect the 3 wires according to their markings.



2. Place the lamp over the ceiling plate and fix it with the nuts.



3. Place the bulbs



4. Place the glass and fix it with the finial.