

**Item type**  
Ceiling Lamp

**Item name**  
Rousseau

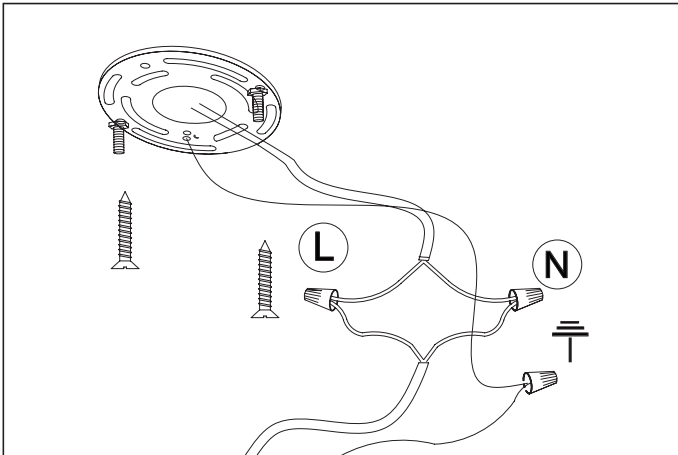
**Item no**  
112855UL

**Attention!** Do not connect your luminaire to electricity until it is fully assembled.

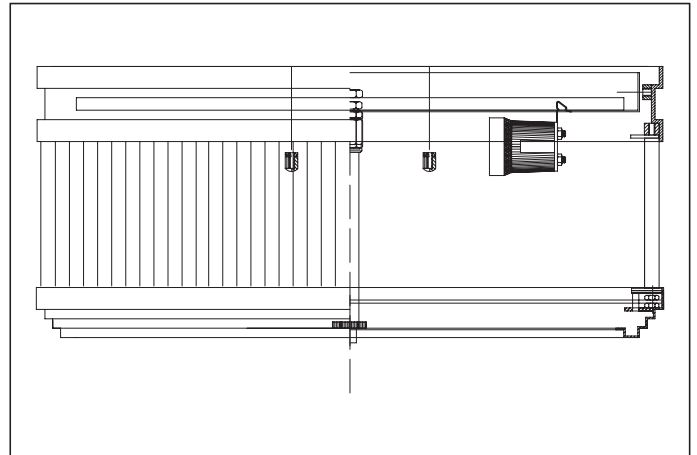
**Care instructions:**  
Wipe with a soft dry cloth, do not use chemicals or abrasive cleaning materials.

**Eichholtz B.V.**  
Delfweg 52  
2211 VN Noordwijkerhout  
The Netherlands

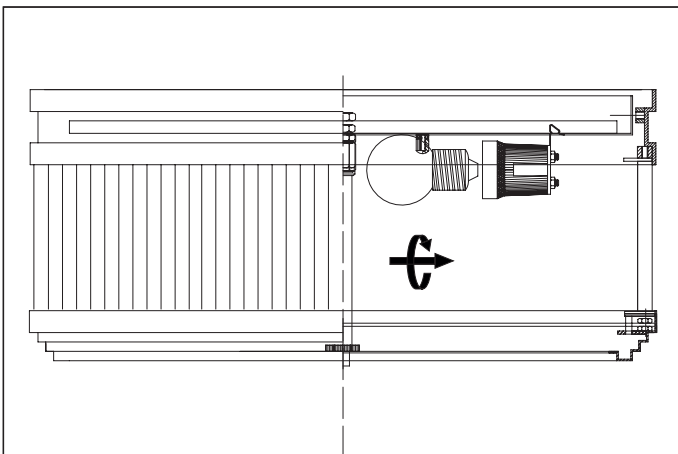
🏠 [www.eichholtz.com](http://www.eichholtz.com)  
✉ [service@eichholtz.com](mailto:service@eichholtz.com)  
☎ +31 (0)252 515 850



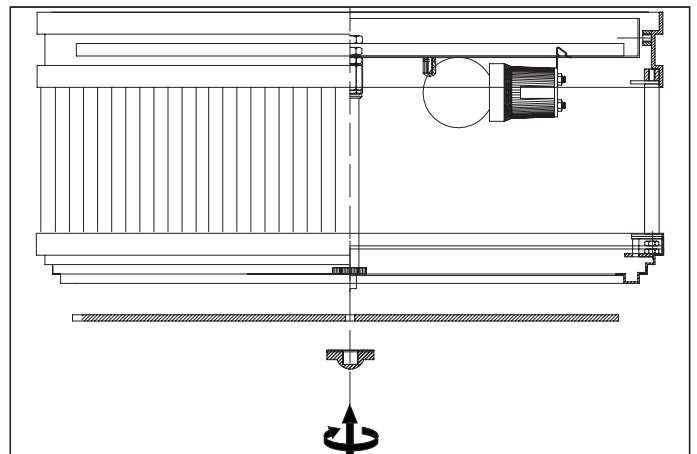
- 1.** Fix the ceiling plate to the ceiling by using wall mounting plugs and screws suitable for your wall type.  
Connect the 3 wires according to their markings.



- 2.** Place the lamp over the ceiling plate and fix it with the nuts.



- 3.** Place the bulbs



- 4.** Place the glass and fix it with the finial.