

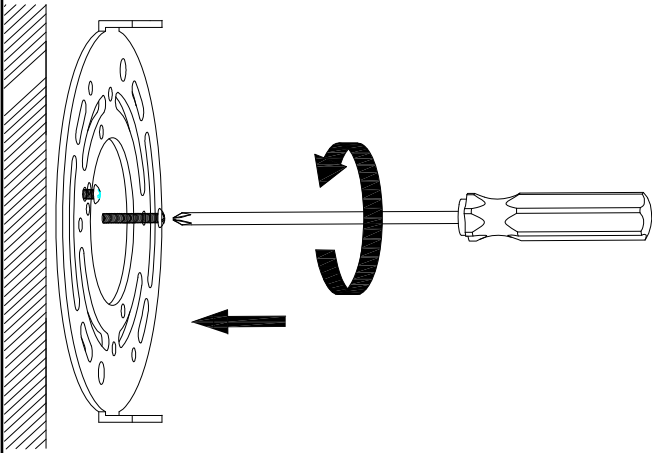


E I C H H O L T Z

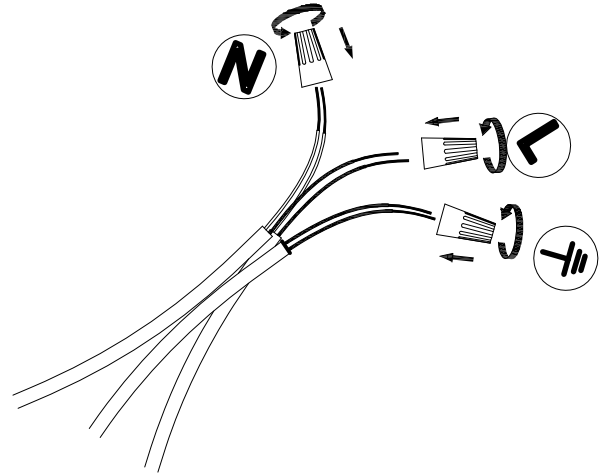
112647UL WALL LAMP JADE

ASSEMBLY INSTRUCTION

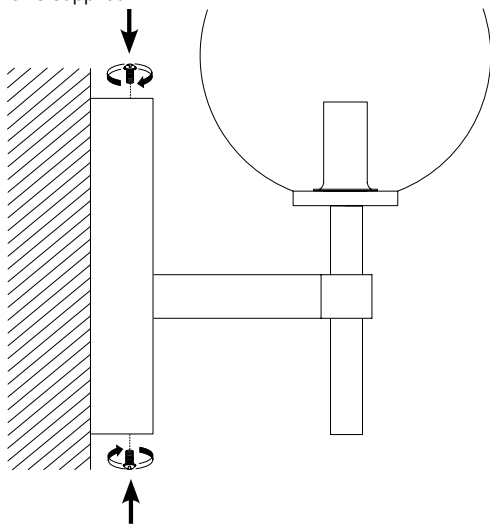
- 1** Fix the wall plate to the wall by using wall mounting plugs and screws suitable to your wall type.



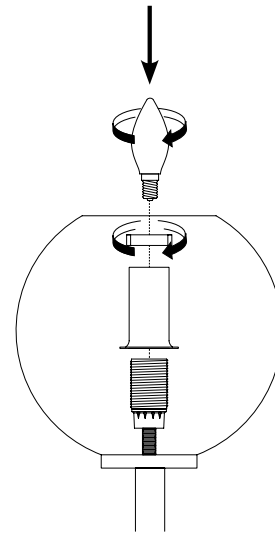
- 2** Connect the 3 wires. Connect neutral wire to N, live wire to L and connect the earth wire to the grounding symbol.



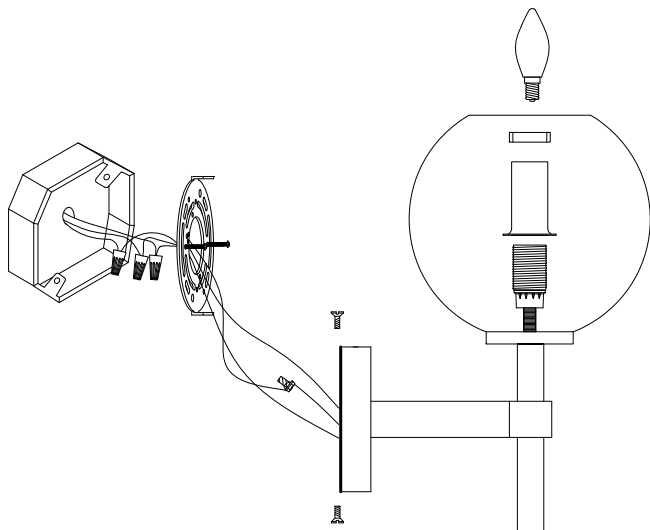
- 3** Place the lamp over the wall plate and fix it securely with the screws supplied.



- 4** Place the glass shade, the metal cover and fix it with the metal ring.



- 5** Place the bulb to the lampholder.



**FINAL**

