

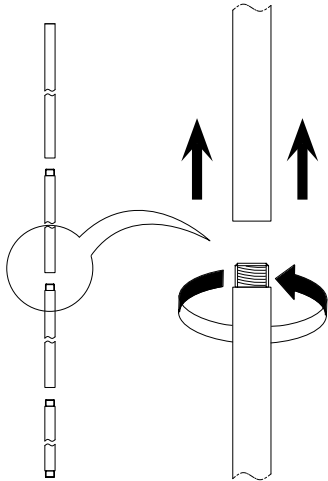


E I C H H O L T Z

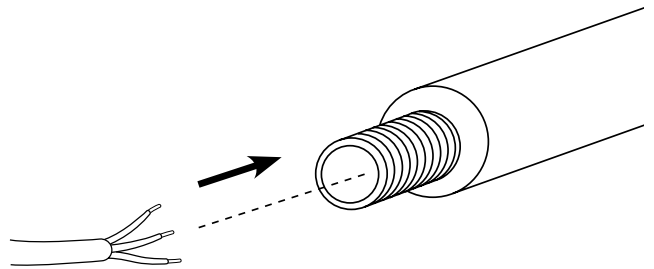
112641UL CHANDELIER JADE S

ASSEMBLY INSTRUCTION

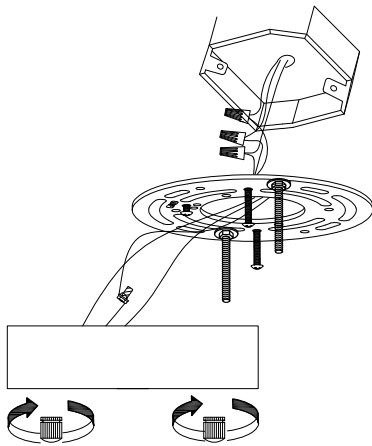
- 1** Determine the desired height of your chandelier and connect the extension pipes.



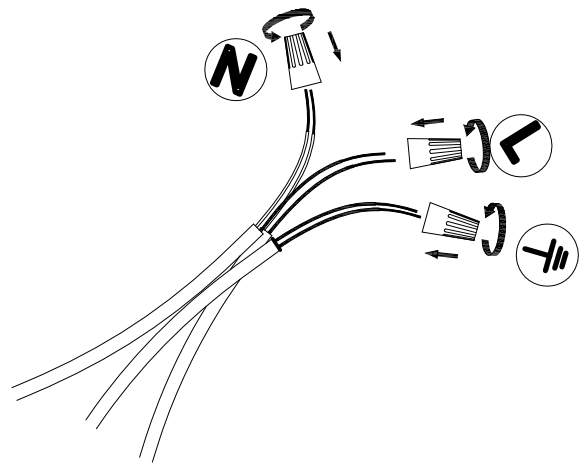
- 2** Thread the wire from the lamp through the pipe.



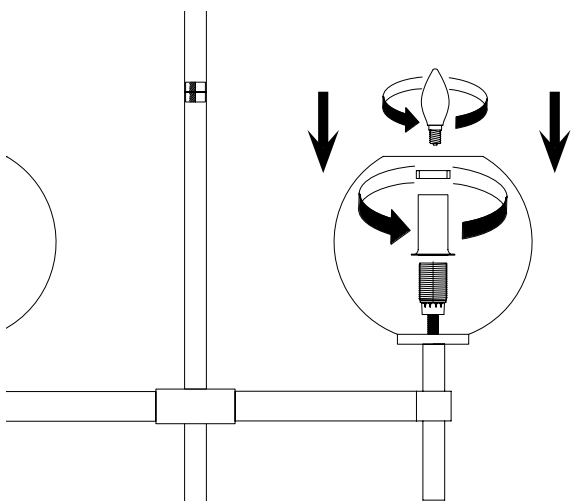
- 3** Fix the ceiling plate to the ceiling by using mounting plugs and screws suitable to your ceiling type. Guide the wires through the plate. Place or hold the lamp in an elevated position in such a way that the wires can freely reach the ceiling junction box.



- 4** Connect the 3 wires. Connect neutral wire to N, live wire to L and connect the earth wire to the grounding symbol. Place the ceiling canopy flush against the ceiling and fix it securely with the two nuts supplied.



- 5** Place the glass shade and slide the metal tube over the lampholder. Fix it with the metal ring. Then place the bulb.



**FINAL**

