

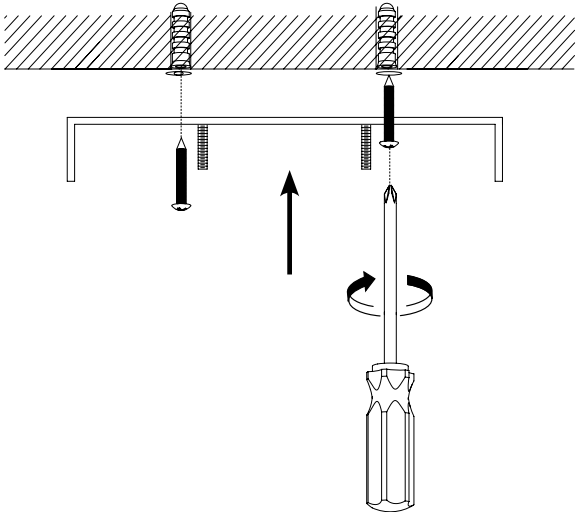


E I C H H O L T Z

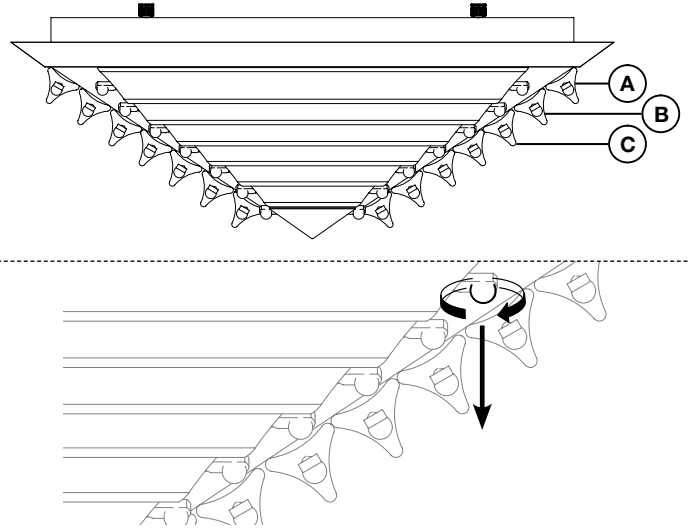
112443UL CEILING LAMP EDEN

ASSEMBLY INSTRUCTION

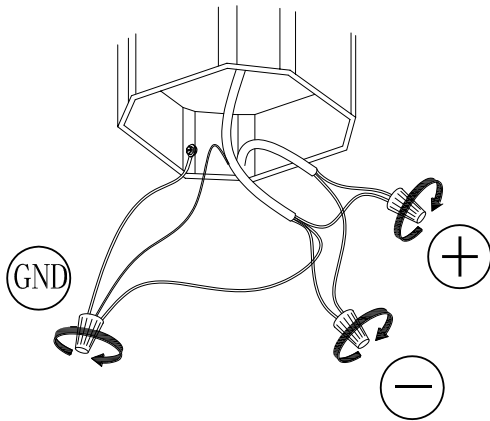
1 Fix the wall plate to the wall by using wall mounting plugs and screws suitable to your wall type.



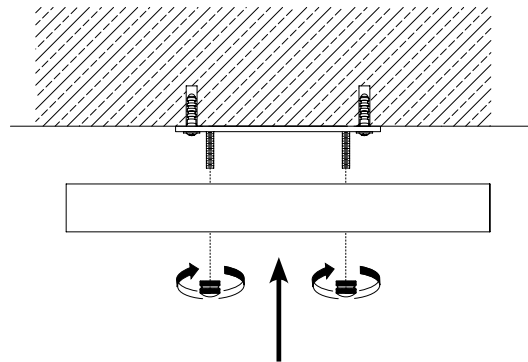
2 Remove the glass (A, B, en C)



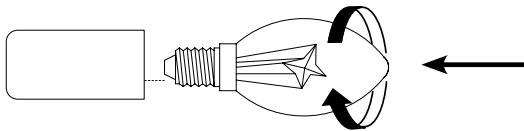
3 Connect the neutral wire to "N", connect the live wire to "L", connect the earthwire to the earth symbol (GND).



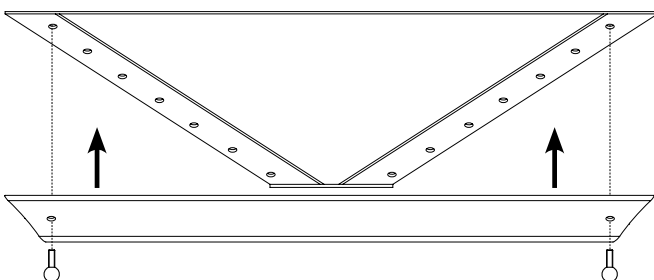
4 Place the lamp over the wall plate and fix it securely with the screws supplied.



5 Place the bulb to the lampholder



6 Fix the three glasses (A, B, C)



FINAL

