

Item type
Ceiling Lamp

Item name
Bernardi

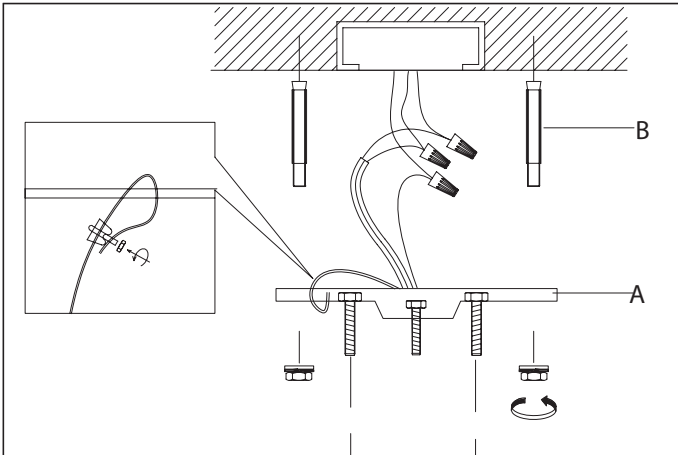
Item no
112381UL

Attention! Do not connect your luminaire to electricity until it is fully assembled.

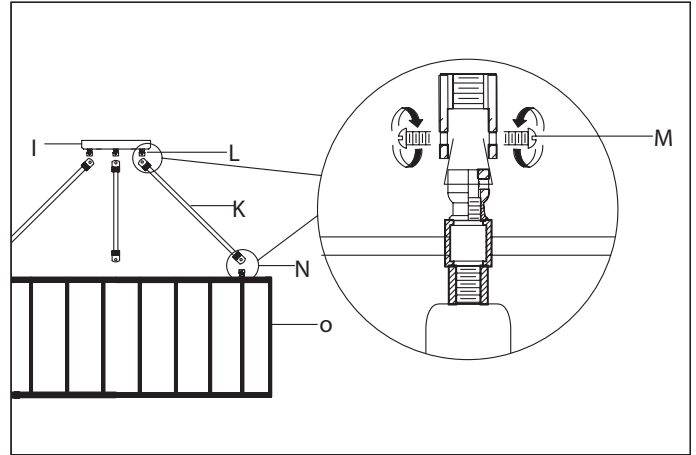
Care instructions:
Wipe with a soft dry cloth, do not use chemicals or abrasive cleaning materials.

Eichholtz B.V.
Delfweg 52
2211 VN Noordwijkerhout
The Netherlands

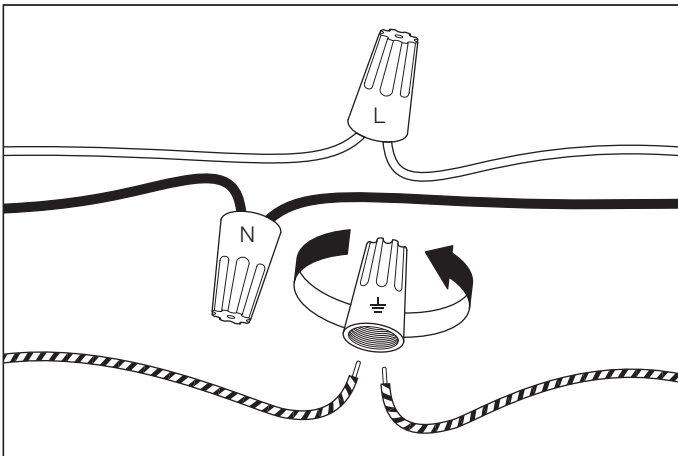
🏠 www.eichholtz.com
✉ service@eichholtz.com
☎ +31 (0)252 515 850



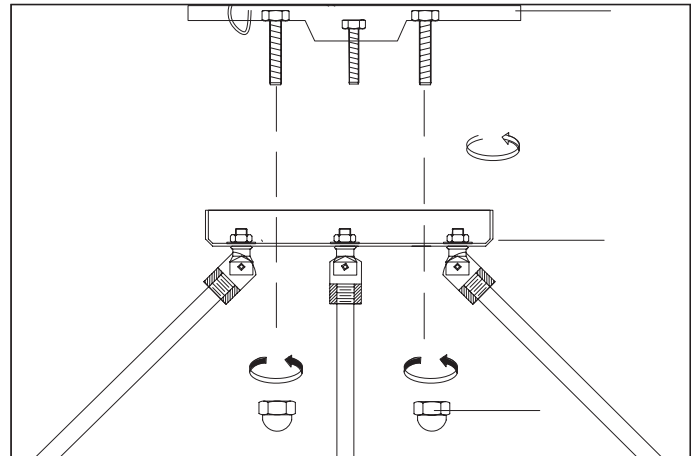
1. Fix the ceiling plate to the ceiling by using mounting plugs and screws suitable for your ceiling. Fix steel wire to the plate.



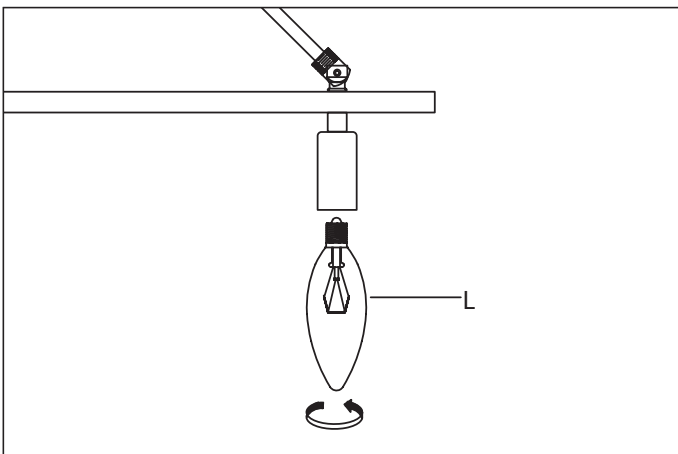
2. Connect the pipes to the lamp first. Connect the other end of the pipes to the ceiling canopy.



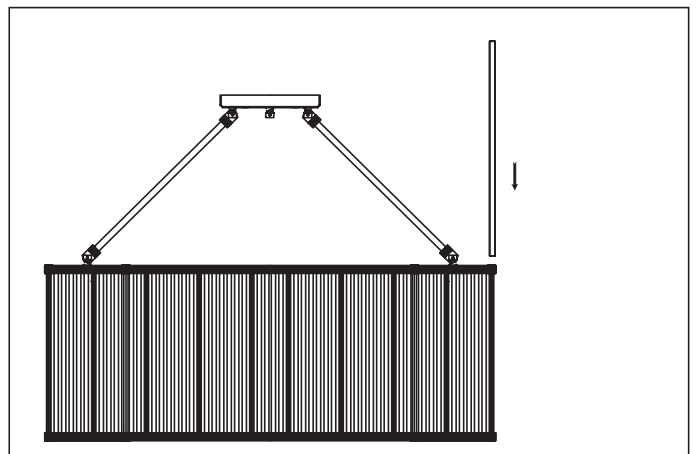
3. Connect the 3 wires. L is the live wire, N is the neutral wire. The course wire is the grounding wire



4. Place the lamp over the ceiling plate and fix it with the nuts.



5. Place the bulbs.



6. Place the glass.