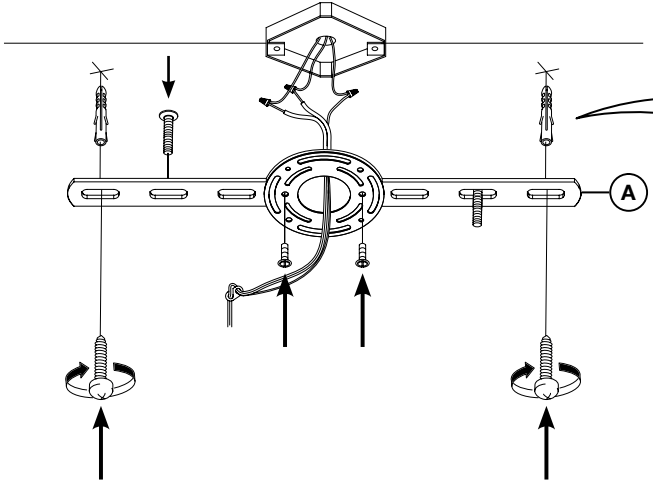
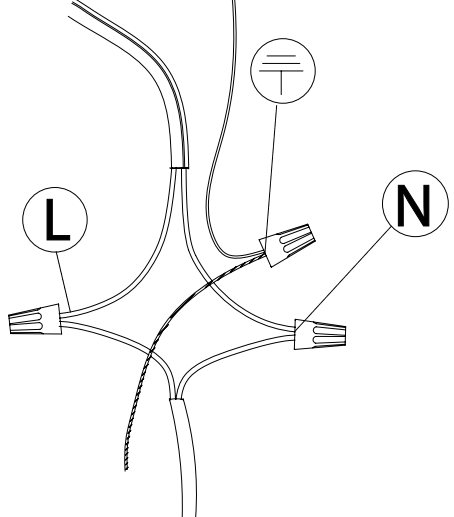
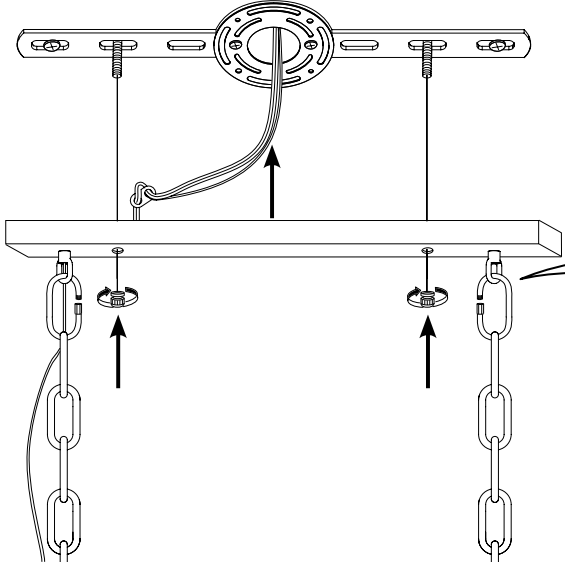
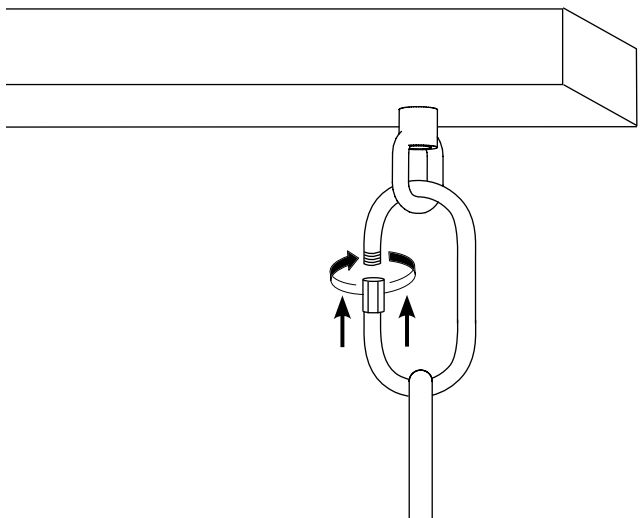




E I C H H O L T Z

112074UL CHANDELIER AZURE S

ASSEMBLY INSTRUCTION

<p><b>1</b></p> <p><b>CEILING</b></p> 	<p><b>ZOOM</b></p> 
<p><b>2</b></p> 	<p><b>ZOOM</b></p> 
<p>Turn off the electricity supply at the main circuit panel before installing. Do not connect the electricity supply until your luminaire is fully assembled and installed.</p> <p>Fix the ceiling plate (A) to the ceiling by using mounting plugs and screws suitable to your ceiling type.</p> <p>Place the luminaire in an elevated position in such a way that the wires can freely reach the ceiling junction box.</p> <p>Connect the 3 wires, the slick wire is the live wire, the coarse wire is the neutral wire and the brass wire is the earth wire.</p> <p>Place the ceiling canopy (C) over the ceiling bracket and fix it securely with the 3 nuts supplied (D).</p> <p>Hang the luminaire from the ceiling canopy with chains</p>	<p><b>4</b></p> 