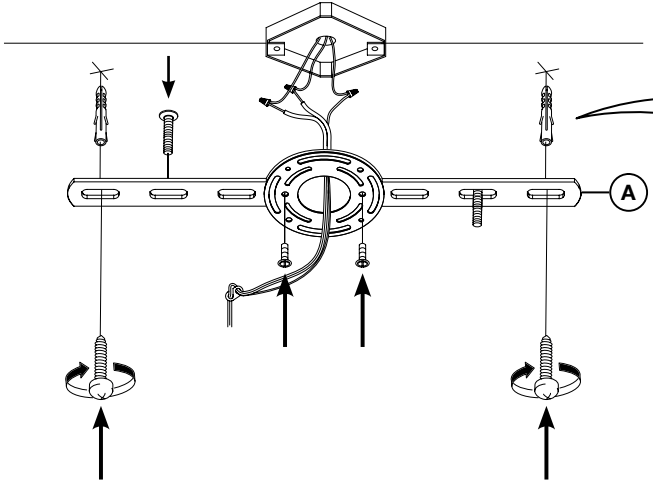
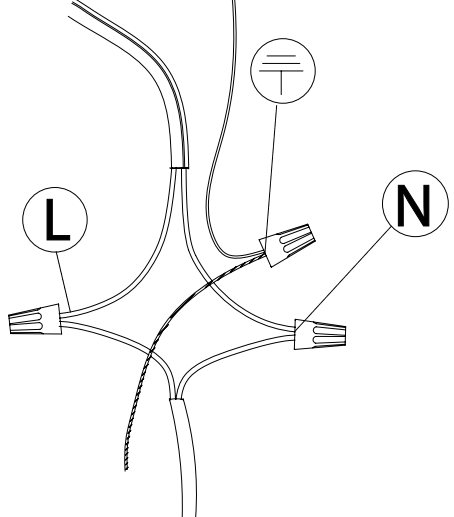
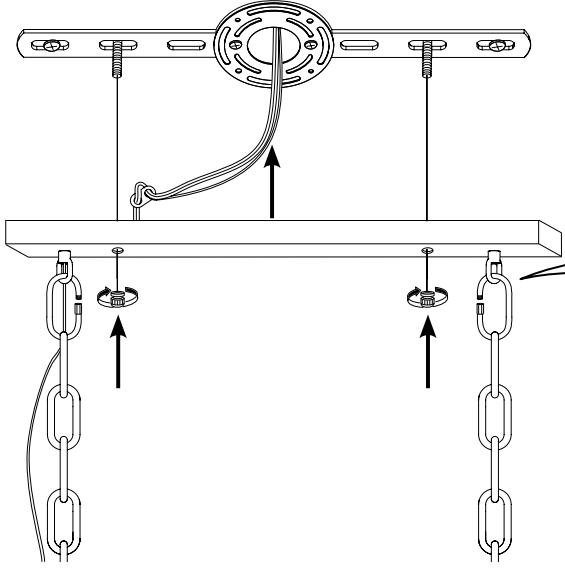
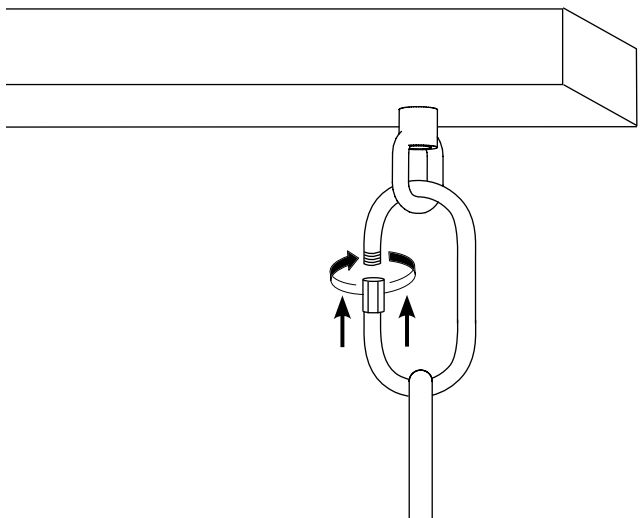




E I C H H O L T Z

111906UL CHANDELIER AZURE S

ASSEMBLY INSTRUCTION

<p>1</p> <p>CEILING</p> 	<p>ZOOM</p> 
<p>2</p> 	<p>ZOOM</p> 
<p>Turn off the electricity supply at the main circuit panel before installing. Do not connect the electricity supply until your luminaire is fully assembled and installed.</p> <p>Fix the ceiling plate (A) to the ceiling by using mounting plugs and screws suitable to your ceiling type.</p> <p>Place the luminaire in an elevated position in such a way that the wires can freely reach the ceiling junction box.</p> <p>Connect the 3 wires, the slick wire is the live wire, the coarse wire is the neutral wire and the brass wire is the earth wire.</p> <p>Place the ceiling canopy (C) over the ceiling bracket and fix it securely with the 3 nuts supplied (D).</p> <p>Hang the luminaire from the ceiling canopy with chains</p>	<p>4</p> 