

**Item type**

Wall Lamp

**Item name**

Monticello

**Item no**

111900UL

**Attention!** Do not connect your luminaire to electricity until it is fully assembled.

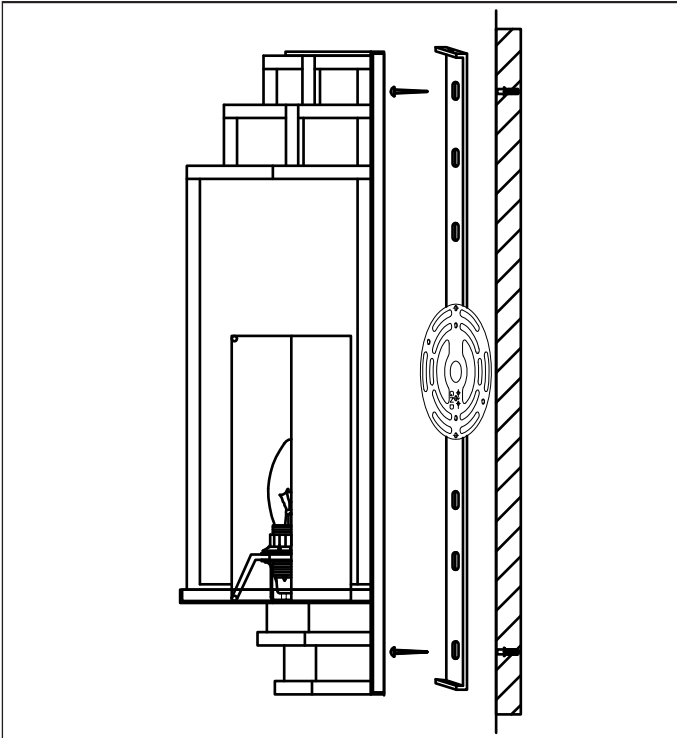
**Care instructions:**

Wipe with a soft dry cloth, do not use chemicals or abrasive cleaning materials.

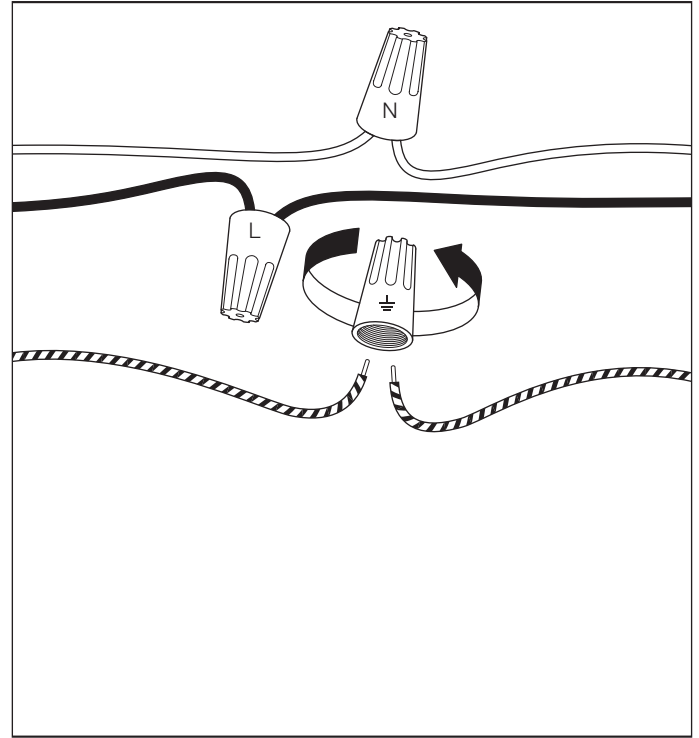
**Eichholtz B.V.**

Delfweg 52  
2211 VN Noordwijkerhout  
The Netherlands

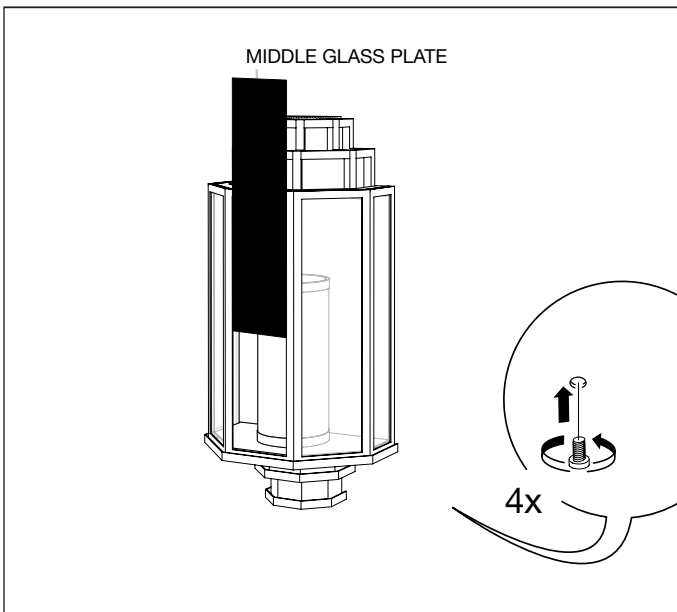
🏠 [www.eichholtz.com](http://www.eichholtz.com)  
✉ [service@eichholtz.com](mailto:service@eichholtz.com)  
☎ +31 (0)252 515 850



1. Fix the wall plate to the wall by using wall mounting plugs and screws suitable to your wall type.



2. Connect the 3 wires according to their colors. Black is the live wire, white is the neutral wire and brass wire is the earth wire.



3. Place the lamps over the wall plate and fix it with the two screws (top and bottom).

Move the middle glass plate up and place the bulb.