

Item type
Ceiling Lamp

Item name
Soleil

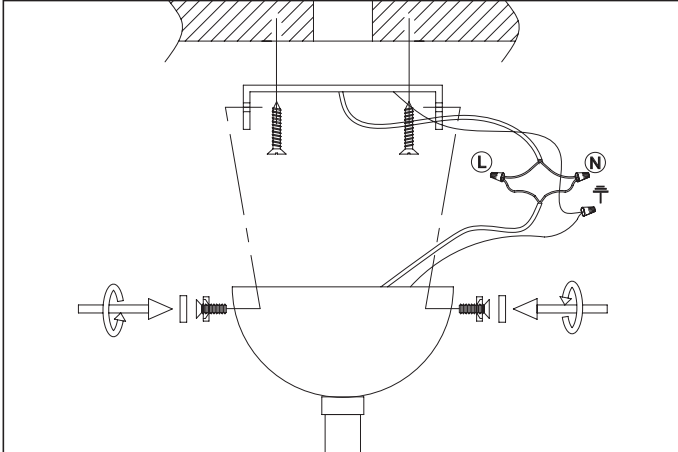
Item no
111865UL

Attention! Do not connect your luminaire to electricity until it is fully assembled.

Care instructions:
Wipe with a soft dry cloth, do not use chemicals or abrasive cleaning materials.

Eichholtz B.V.
Delfweg 52
2211 VN Noordwijkerhout
The Netherlands

🏠 www.eichholtz.com
✉ service@eichholtz.com
☎ +31 (0)252 515 850

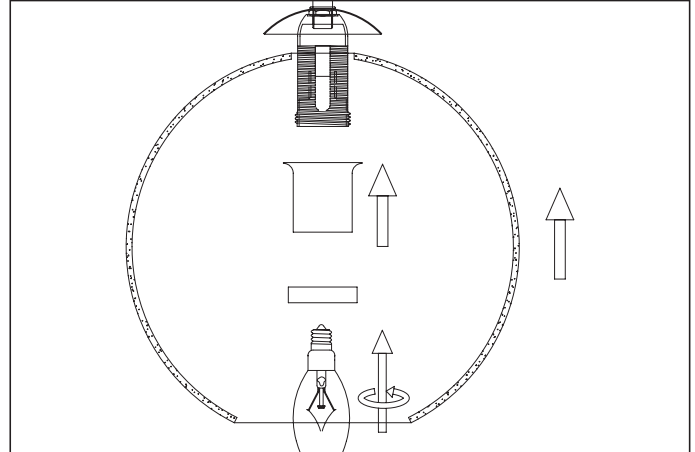


1. Fix the ceiling plate to the ceiling by using mounting plugs and screws suitable to your ceiling type.

Guide the wires through the plate. Place or hold the lamp in an elevated position in such a way that the wires can freely reach the ceiling junction box.

Connect the 3 wires. Connect neutral wire to N, live wire to L and connect the earth wire to the grounding symbol.

Place the ceiling canopy flush against the ceiling and fix it securely with the two screws on the sides.



2. Slide the glass over the lampholder. While holding the glass in place slide the metal sleeve over the lampholder and secure it with the ring.