

**Item type**  
Wall Lamp

**Item name**  
Luca

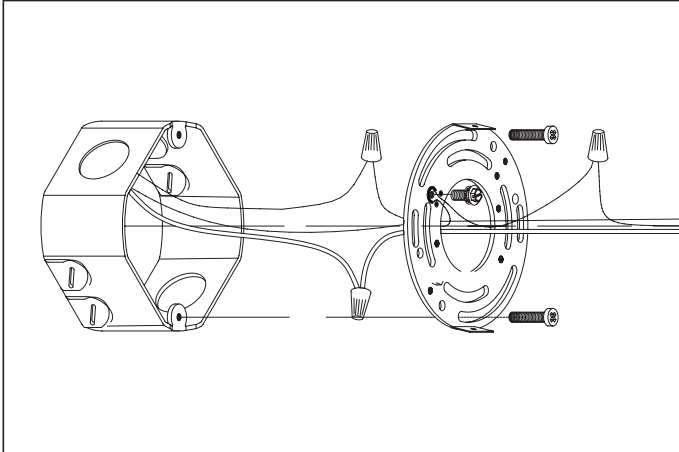
**Item no**  
111845UL

**Attention!** Do not connect your luminaire to electricity until it is fully assembled.

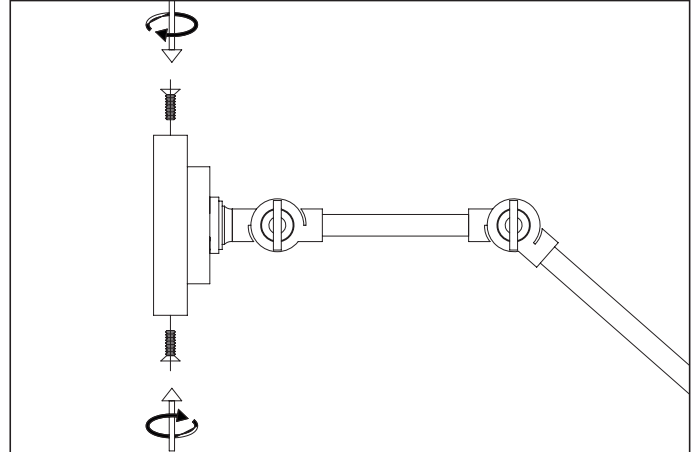
**Care instructions:**  
Wipe with a soft dry cloth, do not use chemicals or abrasive cleaning materials.

**Eichholtz B.V.**  
Delfweg 52  
2211 VN Noordwijkerhout  
The Netherlands

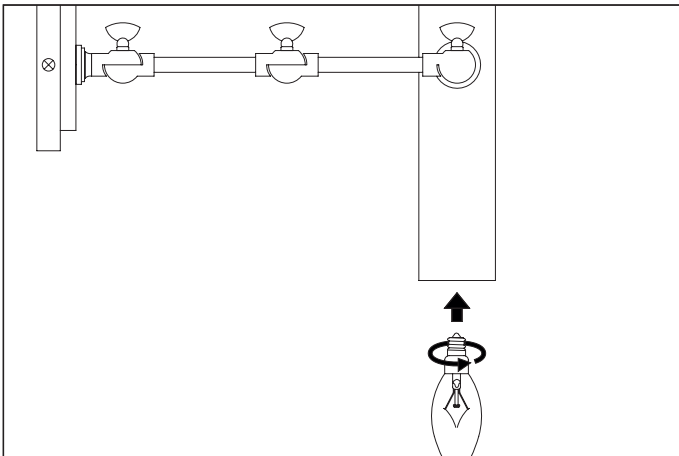
🏠 [www.eichholtz.com](http://www.eichholtz.com)  
✉ [service@eichholtz.com](mailto:service@eichholtz.com)  
☎ +31 (0)252 515 850



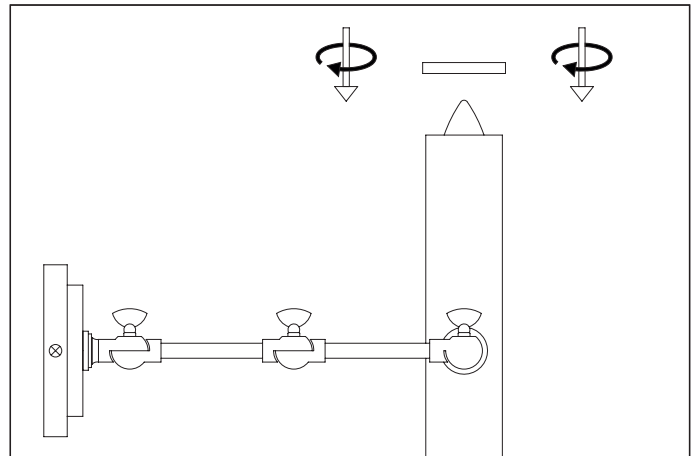
- 1.** Fix the wall plate to the wall by using wall mounting plugs and screws suitable for your wall type.  
Connect the wires according to their markings.



- 2.** Place the lamp over the wall plate and fix it with the screws.



- 3.** Place the bulbs.



- 4.** Place the covers on the sides of the shade.