

Item type
Ceiling Lamp

Item name
Hyères

Item no
111840UL

Attention!

Two people are required for safe mounting of this luminaire!

Do not connect your luminaire to electricity until it is fully assembled.

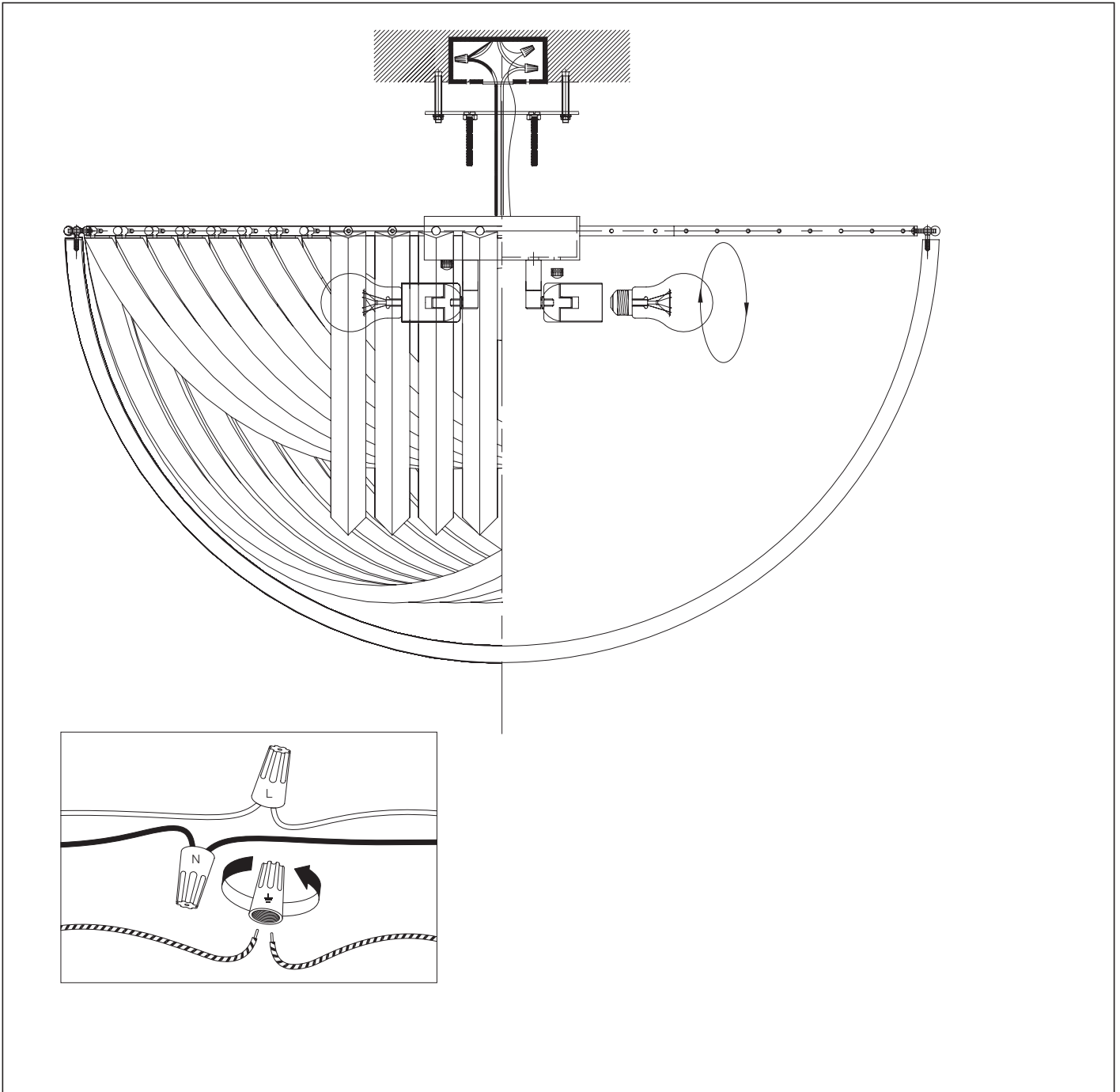
Care instructions:

Wipe with a soft dry cloth, do not use chemicals or abrasive cleaning materials.

Eichholtz B.V.

Delfweg 52
2211 VN Noordwijkerhout
The Netherlands

🏠 www.eichholtz.com
✉ service@eichholtz.com
☎ +31 (0)252 515 850



1. Fix the ceiling plate to the ceiling by using mounting plugs and screws suitable for your ceiling.
2. Remove the lamp from the carton by lifting the bar. Hold the luminaire in the air while removing the protective packaging materials. Do not place the luminaire on a table, floor etc as it might cause it to break.
3. Hold the lamp in an elevated position in such a way that the wires can freely reach the ceiling junction box. Connect the 3 wires. L is the live wire, N is the neutral wire. The course wire is the grounding wire.
4. Fix the canopy with the two nuts.
5. Place the bulbs.