

Item type
Wall Lamp

Item name
Boivin

Item no
111381UL

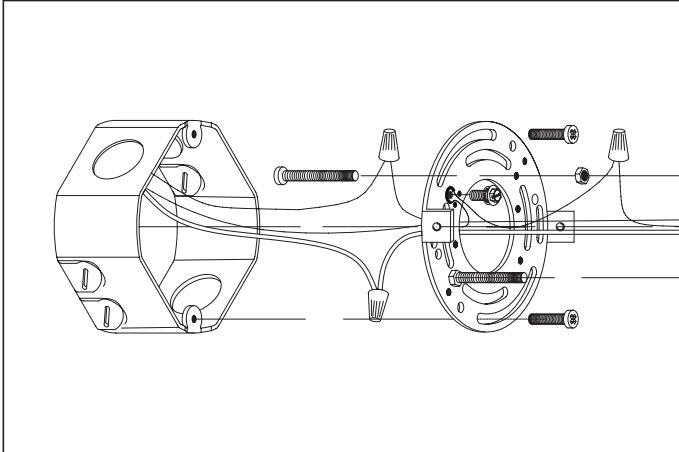
Attention! Do not connect your luminaire to electricity until it is fully assembled.

Care instructions:

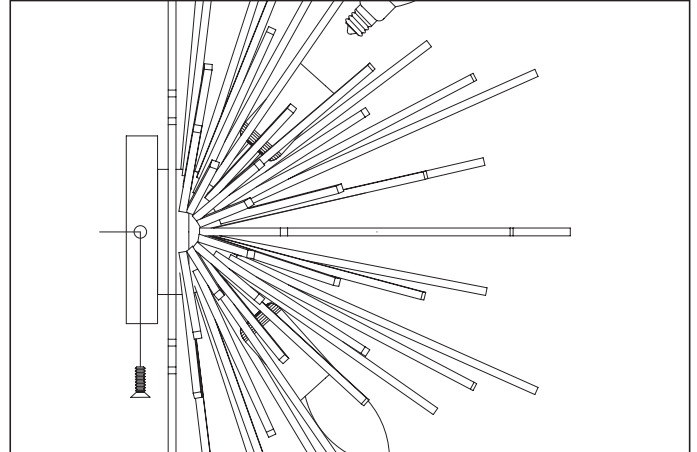
Wipe with a soft dry cloth, do not use chemicals or abrasive cleaning materials.

Eichholtz B.V.
Delfweg 52
2211 VN Noordwijkerhout
The Netherlands

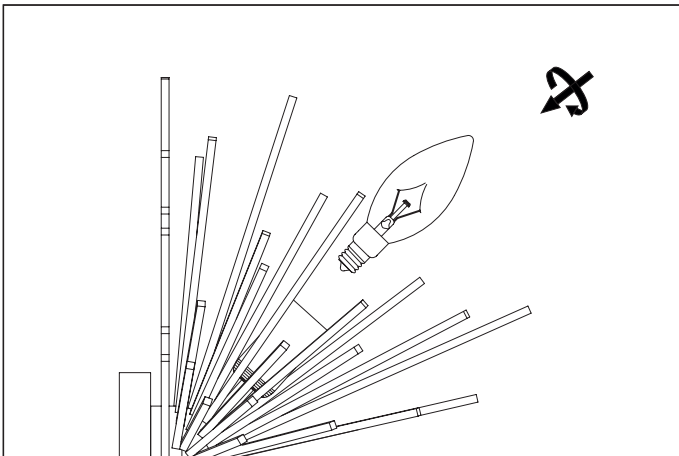
🏠 www.eichholtz.com
✉ service@eichholtz.com
☎ +31 (0)252 515 850



1. Fix the wall plate to the wall by using wall mounting plugs and screws suitable for your wall type.



2. Place the lamp over the wall plate and fix it with the screws on the sides.



3. Place the bulbs.