

**Item type**

Wall Lamp

**Item name**

Glorious

**Item no**

111306UL

**Attention!** Do not connect your luminaire to electricity until it is fully assembled.

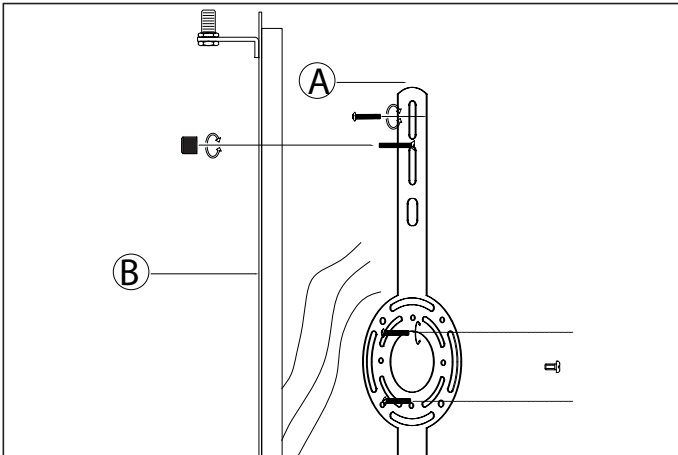
**Care instructions:**

Wipe with a soft dry cloth, do not use chemicals or abrasive cleaning materials.

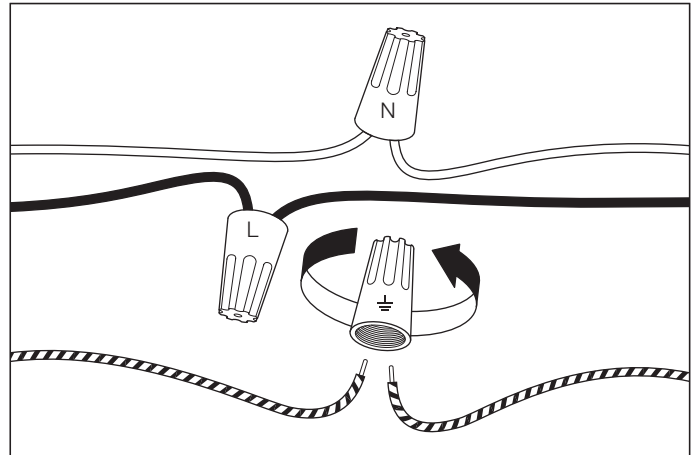
**Eichholtz B.V.**

Delfweg 52  
2211 VN Noordwijkerhout  
The Netherlands

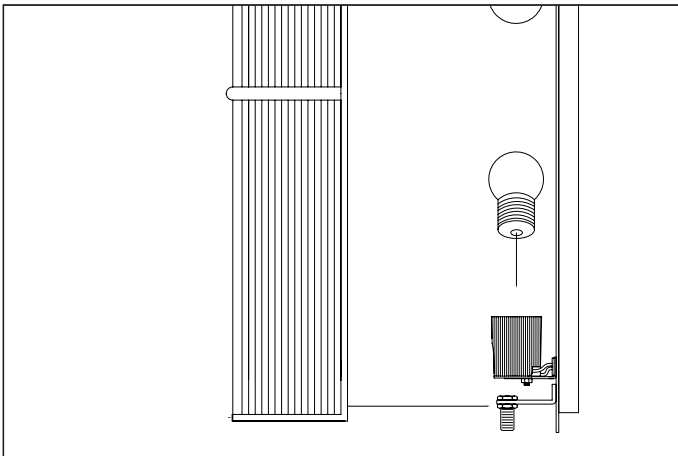
🏠 [www.eichholtz.com](http://www.eichholtz.com)  
✉ [service@eichholtz.com](mailto:service@eichholtz.com)  
☎ +31 (0)252 515 850



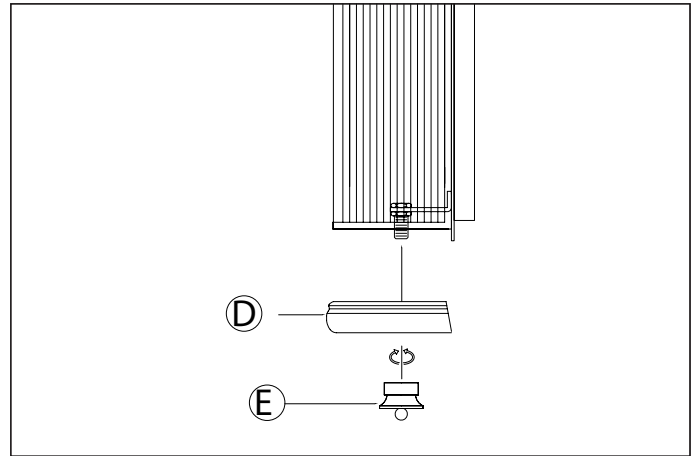
1. Fix the wall plate(A) to the wall by using wall mounting plugs and screws suitable for your wall.



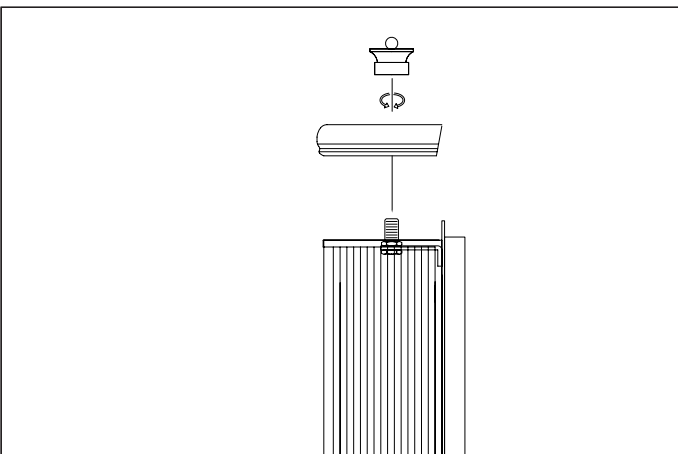
2. Connect the 3 wires according to their colors. Black is the live wire, white is the neutral wire and brass wire is the earth wire.



3. Place the bulbs, then place the lamp over the wall plate and fix it securely with the nuts(B) supplied.



5. Place the shade over the lamp and secure it by placing the bottom cap (D) and securing it with the finial (E).



6. Finally place the top cap and secure it with the finial.