

Item type
Wall Lamp

Item name
Mancini

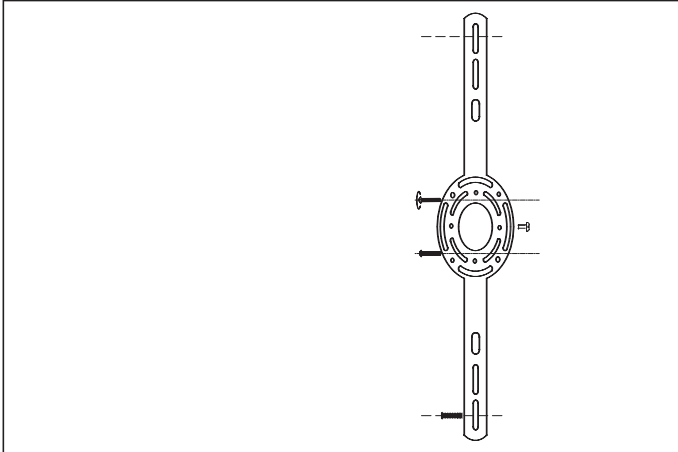
Item no
111172UL

Attention! Do not connect your luminaire to electricity until it is fully assembled.

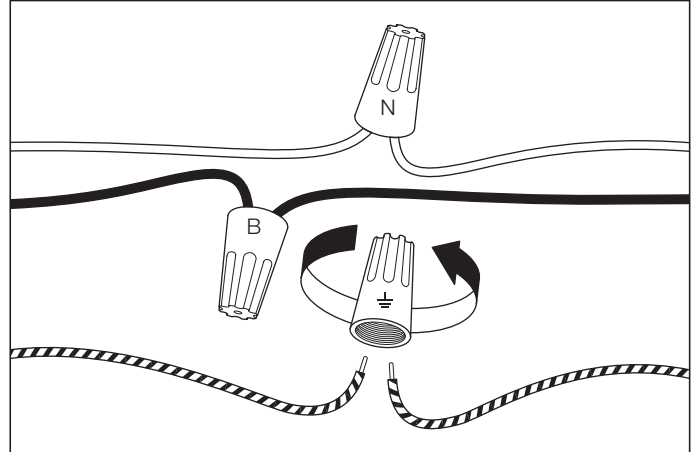
Care instructions:
Wipe with a soft dry cloth, do not use chemicals or abrasive cleaning materials.

Eichholtz B.V.
Delfweg 52
2211 VN Noordwijkerhout
The Netherlands

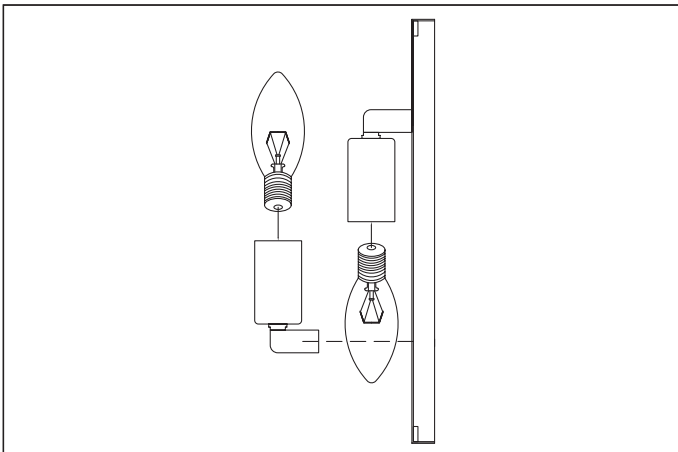
🏠 www.eichholtz.com
✉ service@eichholtz.com
☎ +31 (0)252 515 850



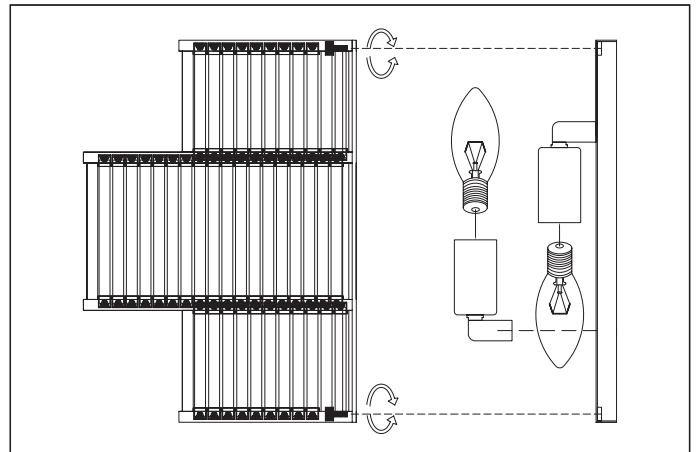
1. Fix the wall plate to the wall by using wall mounting plugs and screws suitable to your wall type.



2. Connect the 3 wires according to their colors. Black is the live wire, white is the neutral wire and brass wire is the earth wire.



3. Place the bulbs.



4. Place the lamp over the wall plate and secure with the four nuts.