



Item type

Wall Lamp

Item name

Amalfi

Item no

110032UL

Attention! Do not connect your luminaire to electricity until it is fully assembled.

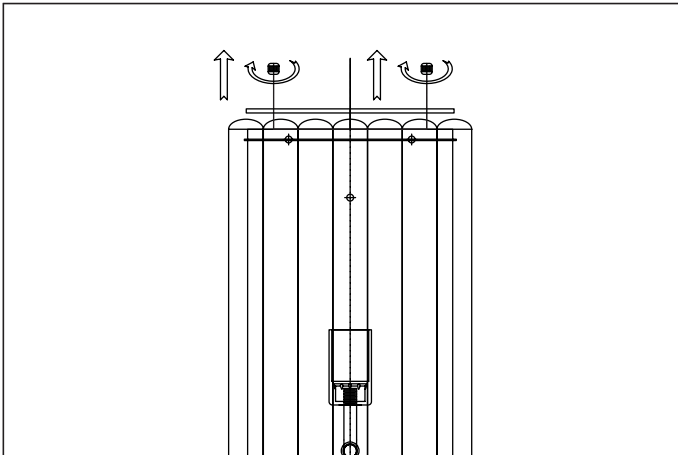
Care instructions:

Wipe with a soft dry cloth, do not use chemicals or abrasive cleaning materials.

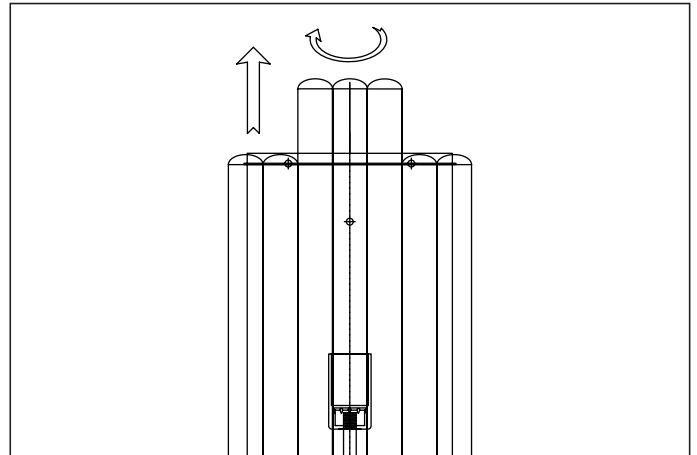
Eichholtz B.V.

Delfweg 52
2211 VN Noordwijkerhout
The Netherlands

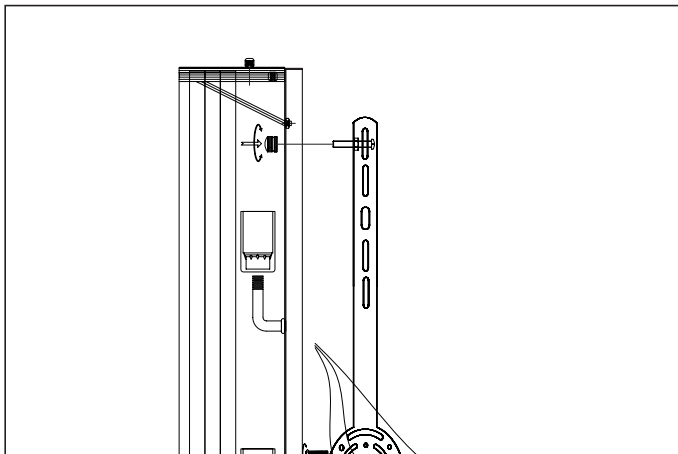
🏠 www.eichholtz.com
✉ service@eichholtz.com
☎ +31 (0)252 515 850



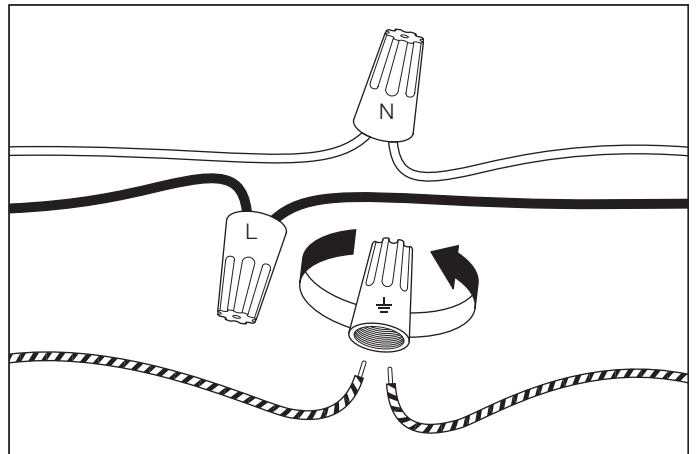
1. Remove the 2 nuts and the metal plate from the top.



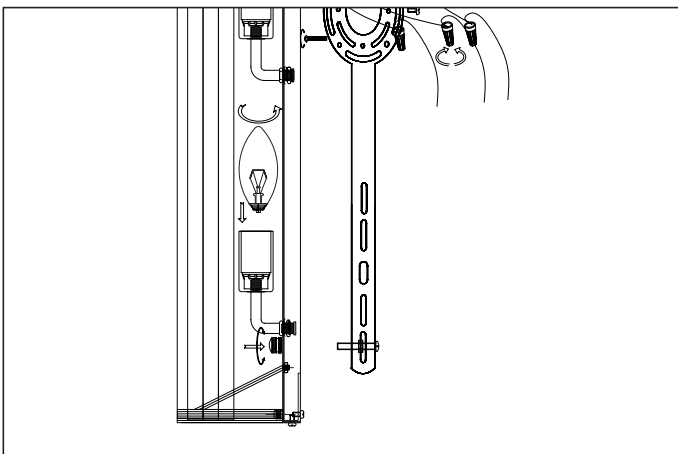
2. Take out the 3 glass tubes from the middle position.



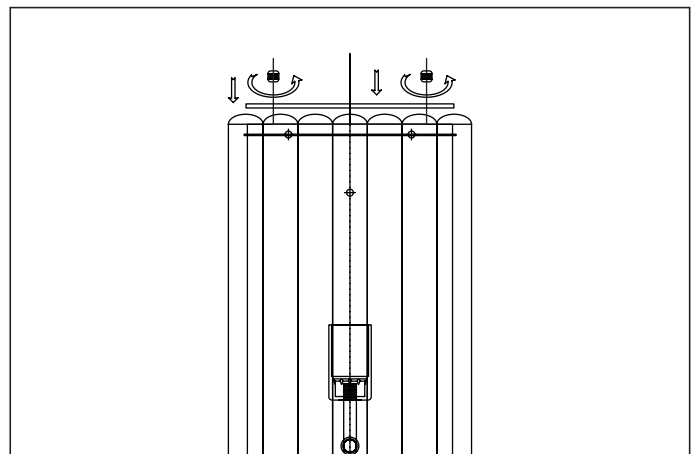
3. Fix the wall plate to the wall, using screws and plugs suitable for your wall.



4. Connect the 3 wires according to their colors. Black is the live wire, white is the neutral wire and brass wire is the earth wire.



5. Add the bulbs.



6. Place the 3 middle glass decorations and fix the metal plate with the two nuts.