

**Item type**

Chandelier

**Item name**

Bernardi

**Attention!**

Turn off the electricity supply at the main circuit panel before installing. Do not connect the electricity supply until your luminaire is fully assembled and installed.

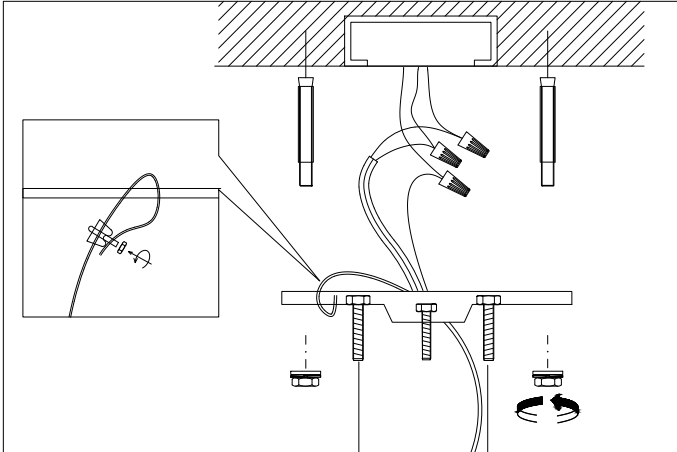
**Care instructions:**

Wipe with a soft cloth, do not use chemicals or abrasive cleaning materials.

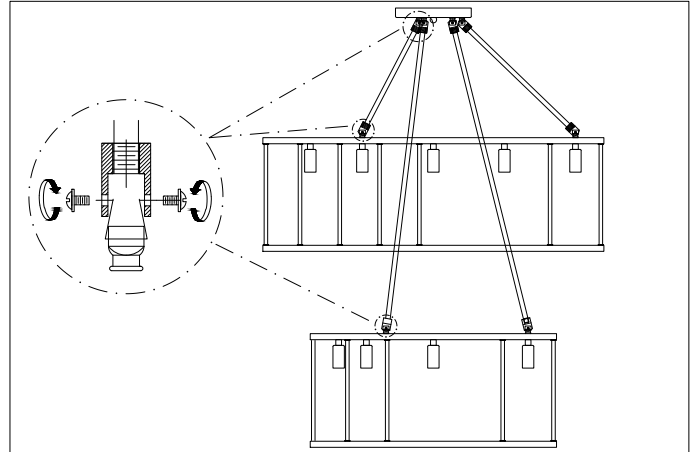
**Eichholtz B.V.**

Delfweg 52  
2211 VN Noordwijkerhout  
The Netherlands

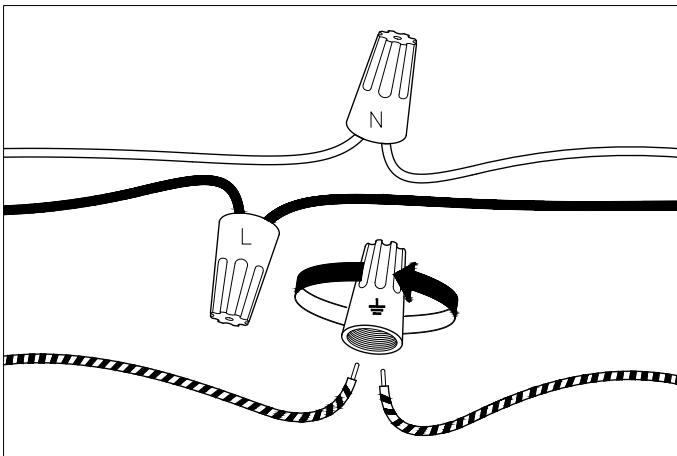
🏠 [www.eichholtz.com](http://www.eichholtz.com)  
✉ [service@eichholtz.com](mailto:service@eichholtz.com)  
☎ +31 (0)252 515 850



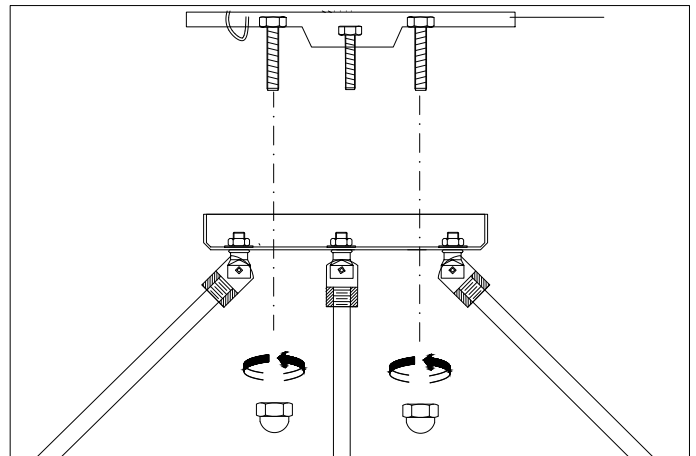
1. Fix the ceiling plate to the ceiling by using mounting plugs and screws suitable for your ceiling. Fix the steel wire to the plate.



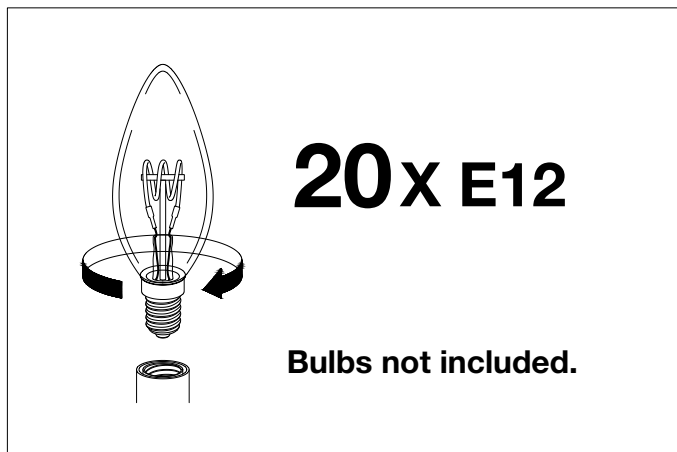
2. Connect the pipes to the lamp first. Connect the other end of the pipes to the ceiling canopy.



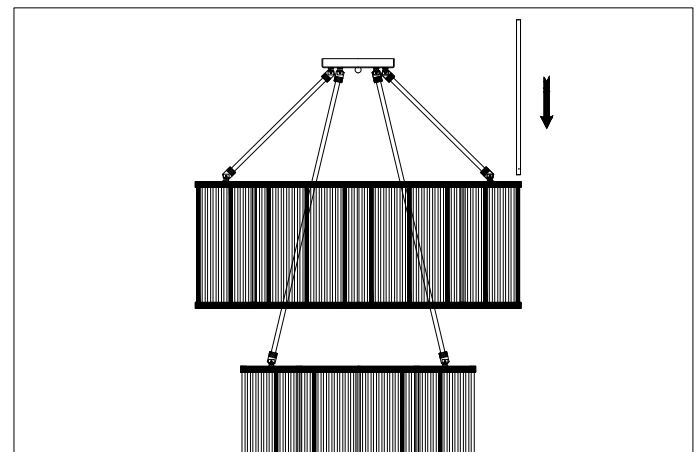
3. Connect the 3 power wires. The slick wire is the live wire, The coarse wire is the neutral wire and brass wire is the earth wire.



4. Place the lamp over the ceiling plate and fix it with the nuts.



5. Place the bulbs.



6. Place the glass.