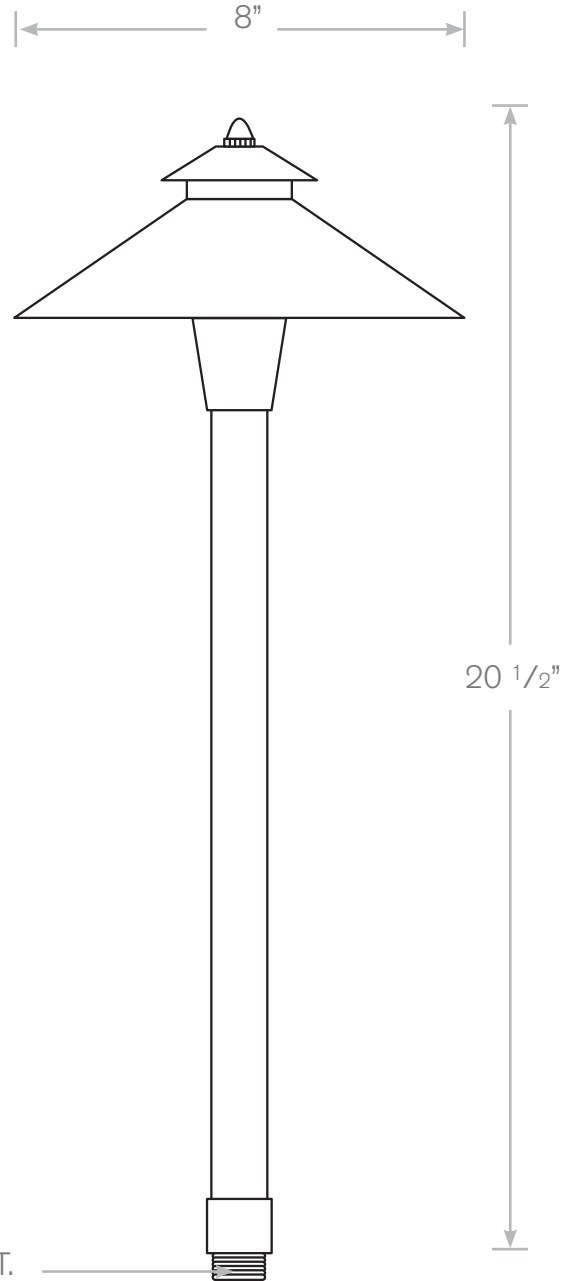


TOP-PL-309-RC

Pathway Lights



- Model:** TOP-PL-309-RC
Material: Raw Copper
Finish: Specify
Electrical: 12V
Lamp: Single Contact Bayonet
Mounting: 1/2" NPT, Spike Included