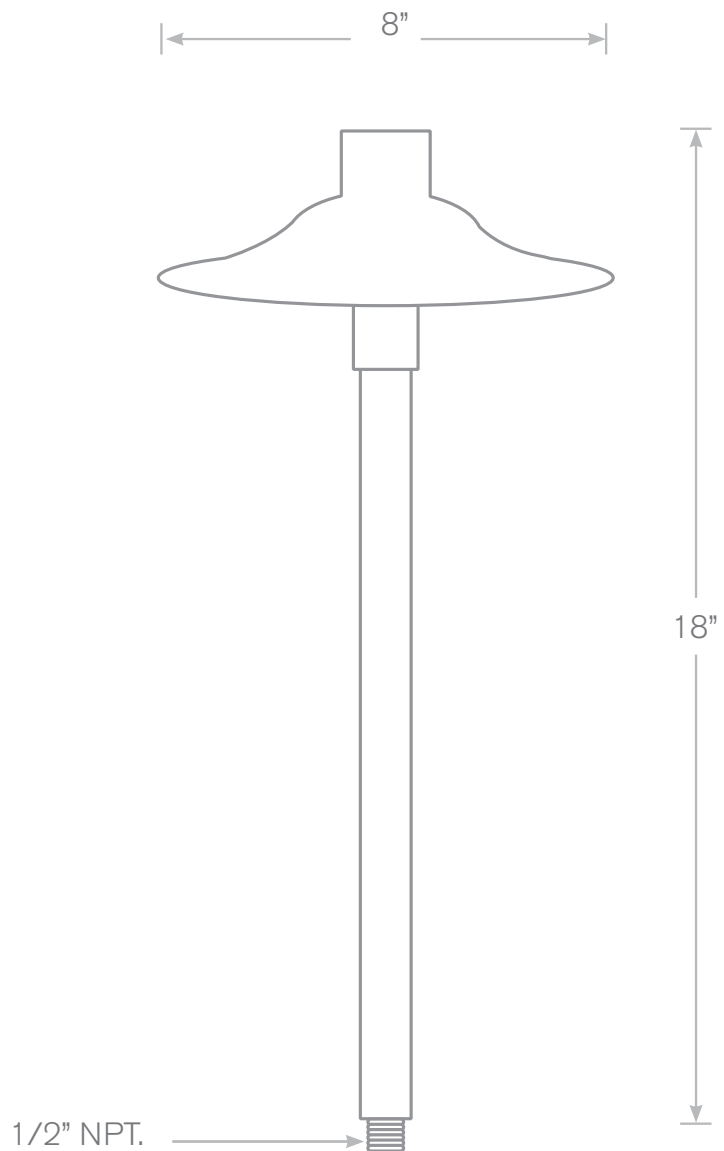


## TOP-PL-307-RC

## Pathway Lights



- Model:** TOP-PL-307-RC  
**Material:** Copper  
**Finish:** Raw Copper  
**Electrical:** 12V  
**Lamp:** Bi-Pin, 20W Incl.  
**Mounting:** 1/2" NPT, Spike Included  
**Option:** LED



ALL FINISHES & LED AVAILABLE! Mounting: 1/2" NPT, Spike Included