



9220 Mabel Avenue
South El Monte, CA 91733
(877) 867-5596
Fax: (949) 258-5390
www.toplightsinc.com

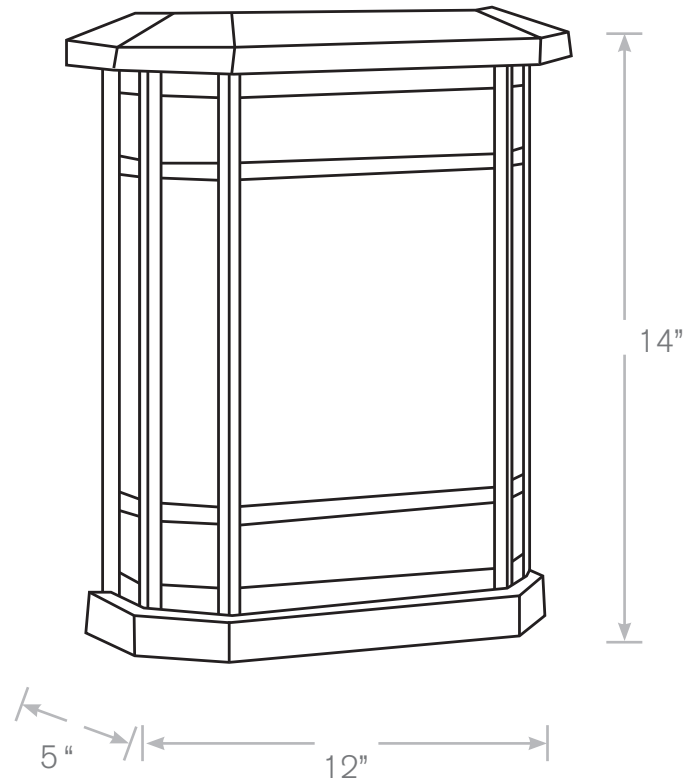
SPECIFICATION SHEET

TOP-LN-1092

Lantern Lights



- Model:** TOP-LN-1092
- Shown:** Matte Bronze (MBR)
- Material:** Solid Brass
- Finish:** Specify
- Glass:** White Acrylic
- Electrical:** 12V or 120V
- Lamp:** Medium Base
- Mounting:** Surface



ALL FINISHES AVAILABLE! Electrical For All: 12 Volt or 120 Volt