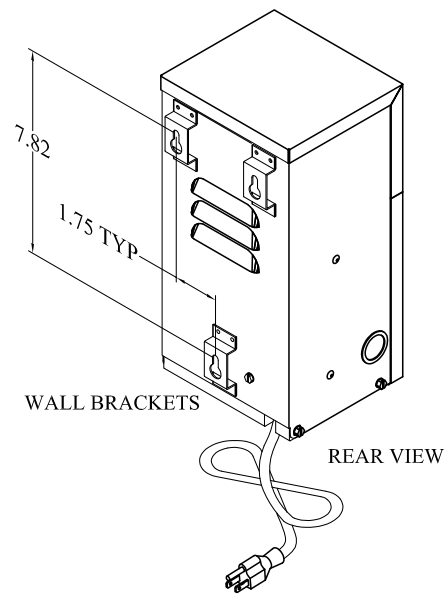
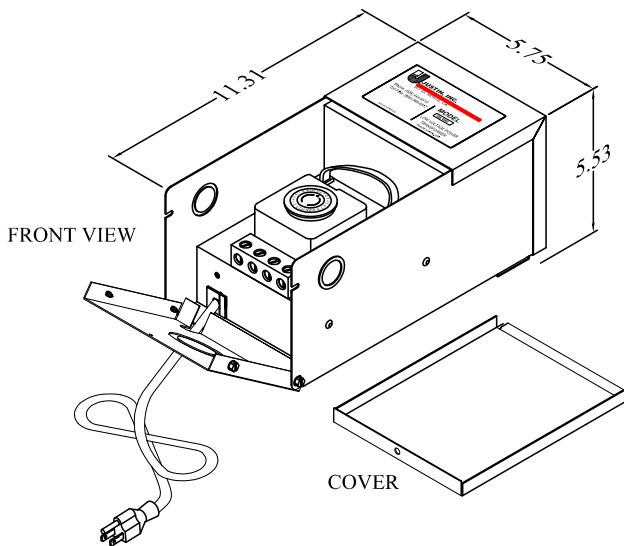


TOP-GL-100-SS

Transformer



SPECIFICATIONS AND ORDERING INFORMATION

MODEL NUMBER	DESCRIPTION
--------------	-------------

WITHOUT TIMER

GL100	12 and 15 Volt, 100 Watt, Single Circuit
GL200	12 and 15 Volt, 200 Watt, Single Circuit

ACCESSORIES

T1708	Plug-in Timer, 120V
K4221	Field Installed Photocell, 120V
PCK1000	Plug-In Photocell Kit, 120V
PCM12	Remote Photocell Module with 20' Cord, 120V