



Girl Scout Cookie Booth

ASSEMBLY INSTRUCTIONS

#664090

Adult assembly required. Approx. assembly time: 25 min.



Thank you for choosing the Little Tikes® Girl Scout Cookie Booth.

We strive to provide a durable, easy-to-assemble toy that's made to last, giving your child years of imaginative, engaging fun!

Really important information you should know!

- Read through all the instructions first.
- Clear a flat surface to lay out all the materials so everything is close at hand.
- You will need a Phillips head screwdriver (not included) to assemble the Girl Scout Cookie Booth.
 - When installing screws, be sure screws are tightened snugly, but do NOT OVERTIGHTEN.
- Be sure to locate your decals and set aside. Some decals are easier to apply when the part is laying flat, so you may want to apply the decals before assembly.
- The parts are listed below - each part is identified with a letter in RED for easy reference.
- Illustrations are for reference only. Styles may vary from actual contents.
- **If you have any questions, we're here to help. Give our customer service team a call at 1-800- 321-0183.**

Let's be careful!

WARNINGS!

- **Adult Assembly Required**
- Keep these instructions as it contains important information.
- Prior to assembly, this package contains small parts: hardware which is a choking hazard and may contain sharp edges and sharp points. Keep away from children until assembled.
- This product is intended for indoor/outdoor family use only.
- This product is intended for use by children ages 3 years and up.
- Do not allow children to sit, stand, play or climb on the top surface. Failure to do so may cause the product to become unstable.
- Protect your eyes. Always wear safety glasses when using power tools.
- Thoroughly wash accessories before contact with food or beverage.
- To better clean the product use a cloth with mild soap and water or skin, hand or face wipes.

WARNINGS!

CHOKING HAZARD - Small parts. Not suitable for children under 3 years.

- **Markers will stain fabric and other surfaces.**
- To better clean the marker, use a damp cloth or for better results a dry erase cleaner.

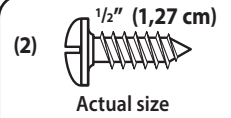
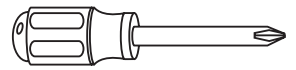
A Few Things Before You Start!

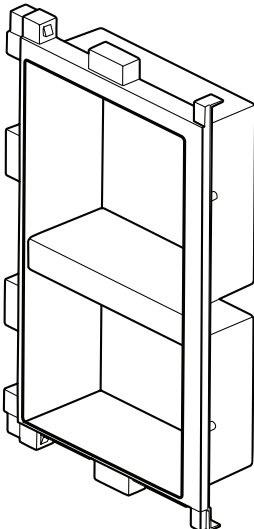
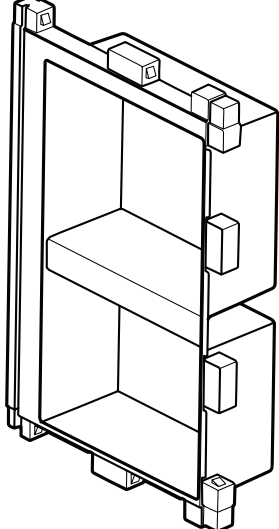
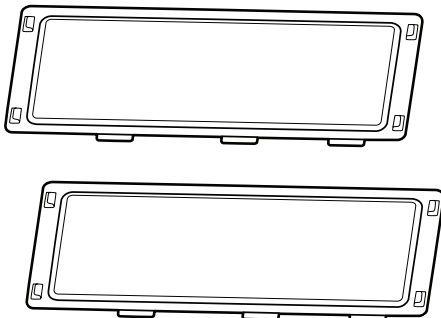
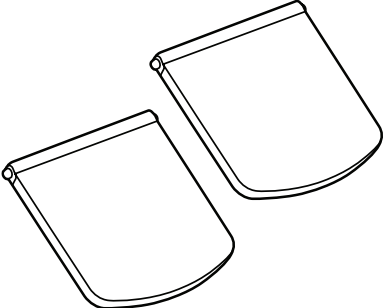
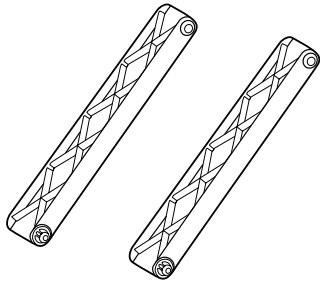
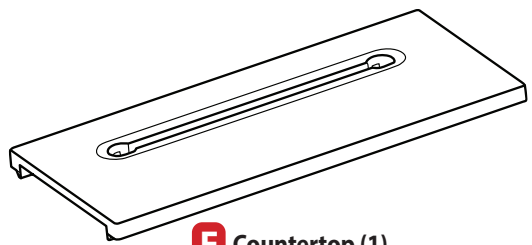
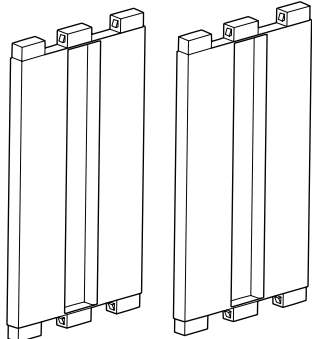
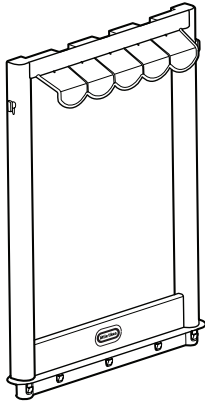
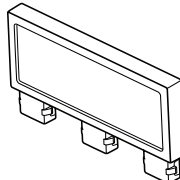

BEFORE you begin assembly, make sure you have all the parts listed below.

! Some packages of hardware may have extras pieces.

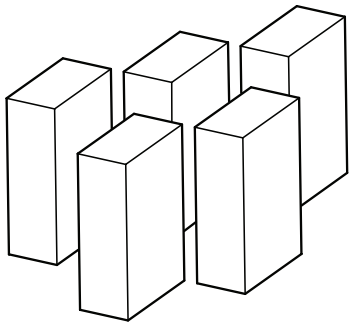
! Questions? We're here to help.
Little Tikes customer service team at 1-800-321-0183.

Tool required (not included)

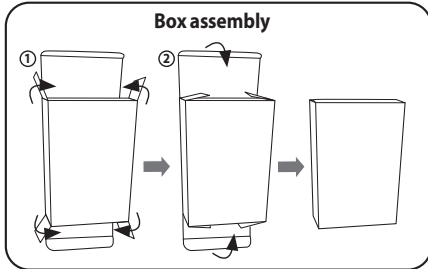


 <p>A Back wall -- left side (1)</p>	 <p>B Back wall -- right side (1)</p>	 <p>C Front panels (2)</p>	
 <p>D Side tables (2)</p>	 <p>E Side table supports (2)</p>	 <p>F Countertop (1)</p>	
 <p>H Side walls (2)</p>		 <p>I Top frame (1)</p>	 <p>J Sign (1)</p>  <p>(1) Decal sheet (decals are permanent once placed on product)</p>

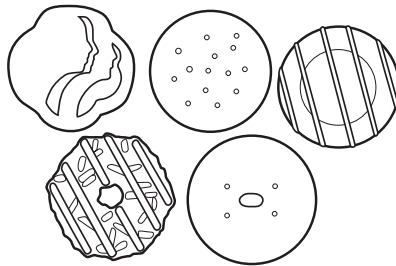
Accessories



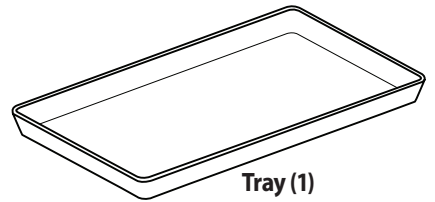
Cookie boxes (5)



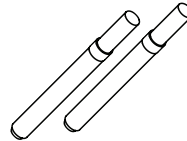
Box assembly



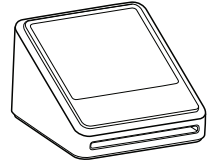
Cookies (5)



Tray (1)



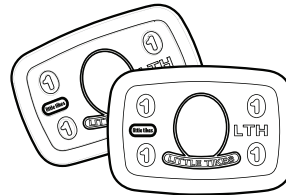
Markers (2)
CONFORMS TO ASTM D-4236



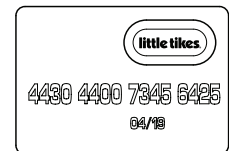
Card reader (1)



Coins (2)



Dollars (2)



Credit card (1)

© 2023 Girl Scouts of the USA. The GIRL SCOUTS® name, mark, and all associated trademarks and logotypes, including GIRL SCOUT COOKIES®, THIN MINTS®, Trefoils®, GIRL SCOUT COOKIE SALE®, GIRL SCOUT COOKIE PROGRAM®, and the Trefoil Design, are owned by Girl Scouts of the USA. MGA Entertainment is an official GSUSA licensed vendor. © The Little Tikes Company, an MGA Entertainment company. LITTLE TIKES® is a trademark of Little Tikes in the U.S. and other countries. All logos, names, characters, likenesses, images, slogans, and packaging appearance are the property of Little Tikes except the Girl Scout IP. Please keep this address and packaging for reference since it contains important information. Contents, including specifications and colors, may vary from photos depicted on package. Instructions included. Please remove all packaging including tags, ties & tacking stitches before giving this product to a child.

LIMITED WARRANTY

The Little Tikes Company makes fun, high quality toys. We warrant to the original purchaser that this product is free of defects in materials or workmanship for one year* from the date of purchase (dated sales receipt is required for proof of purchase). At the sole election of The Little Tikes Company, the only remedies available under this warranty will be the replacement of the defective part or replacement of the product. This warranty is valid only if the product has been assembled and maintained per the instructions. This warranty does not cover abuse, accident, cosmetic issues such as fading or scratches from normal wear, or any other cause not arising from defects in material and workmanship. *The warranty period is three (3) months for daycare or commercial purchasers.

U.S.A and Canada: For warranty service or replacement part information, please visit our website at www.littletikes.com, call 1-800-321-0183 or write to: Consumer Service, The Little Tikes Company, 2180 Barlow Road, Hudson OH 44236, U.S.A. Some replacement parts may be available for purchase after warranty expires—contact us for details.

Outside U.S.A and Canada: Contact place of purchase for warranty service. This warranty gives you specific legal rights, and you may also have other rights, which vary from country/state to country/state. Some countries/states do not allow the exclusion or limitation of incidental or consequential damages, so the above limitation or exclusion may not apply to you.



CUSTOMER SERVICE:

United States:

www.littletikes.com

1-800-321-0183 Monday - Friday

The Little Tikes Company

2180 Barlow Road, Hudson, OH 44236

Printed in U.S.A. D.R.©2023 The Little Tikes Company

United Kingdom:

www.littletikes.co.uk

MGA Consumer Services

P.O. Box 2040 Hockley, Essex, SS5 4BF

Phone: 0 800 521 558

E-mail: support@littletikesstore.co.uk

Australia

www.littletikes.com.au

MGA Entertainment Australia PTY LTD.

Suite 2.02, 32 Delhi Road, Macquarie Park NSW 2113, AU.

Phone: 1 300 059 676

Email: au-sales@mga.com



Adresses sur quefairedemesdechets.fr

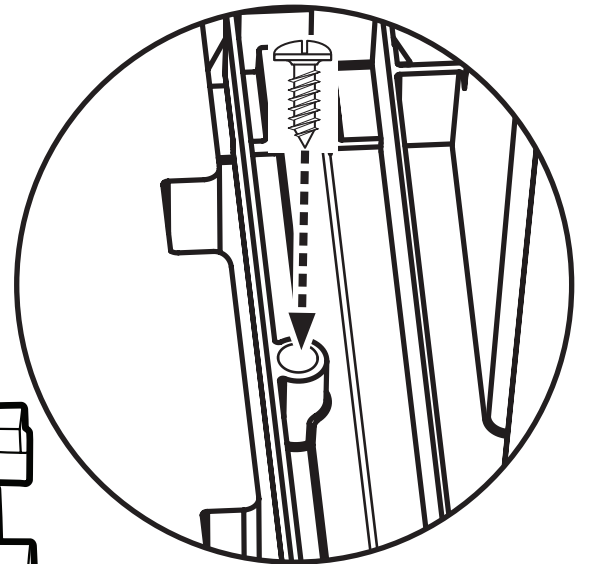
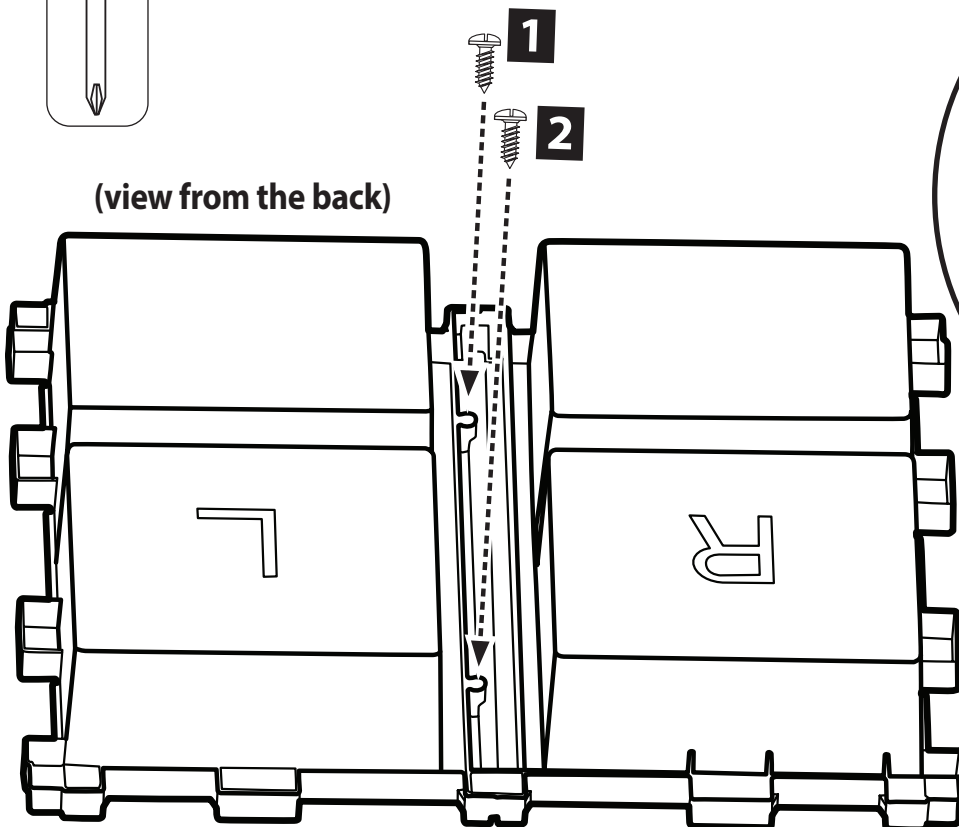
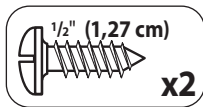
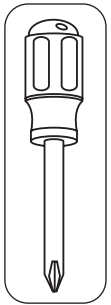
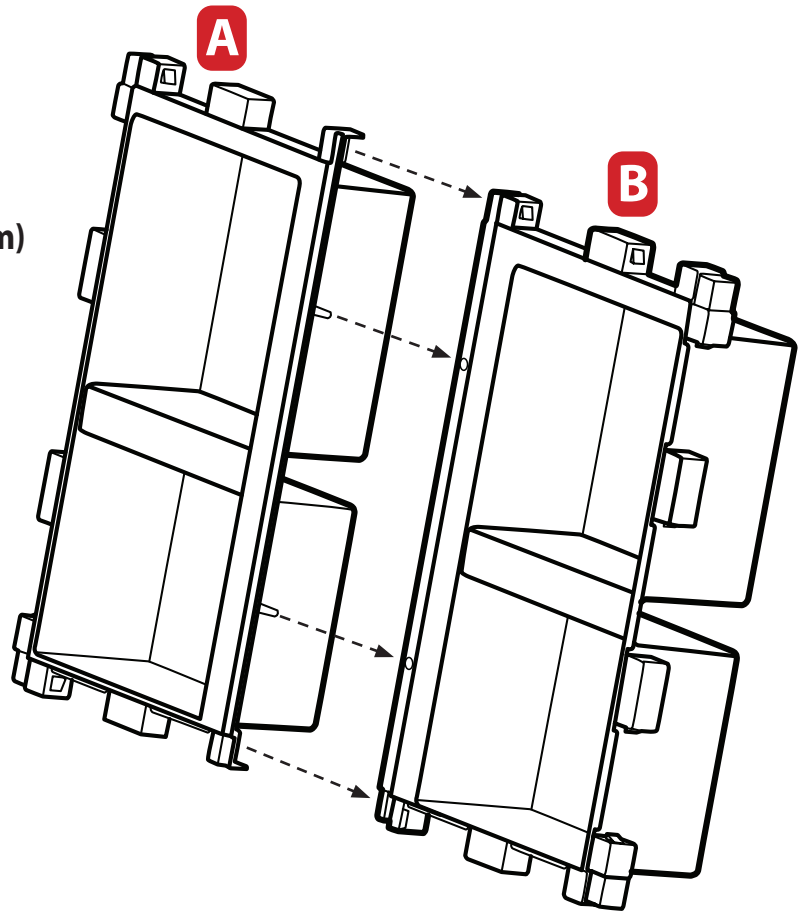


Ciascun componente è contrassegnato dal simbolo del materiale. Raccolta differenziata. Verifica le disposizioni del tuo Comune.

1 Simple to start

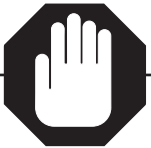
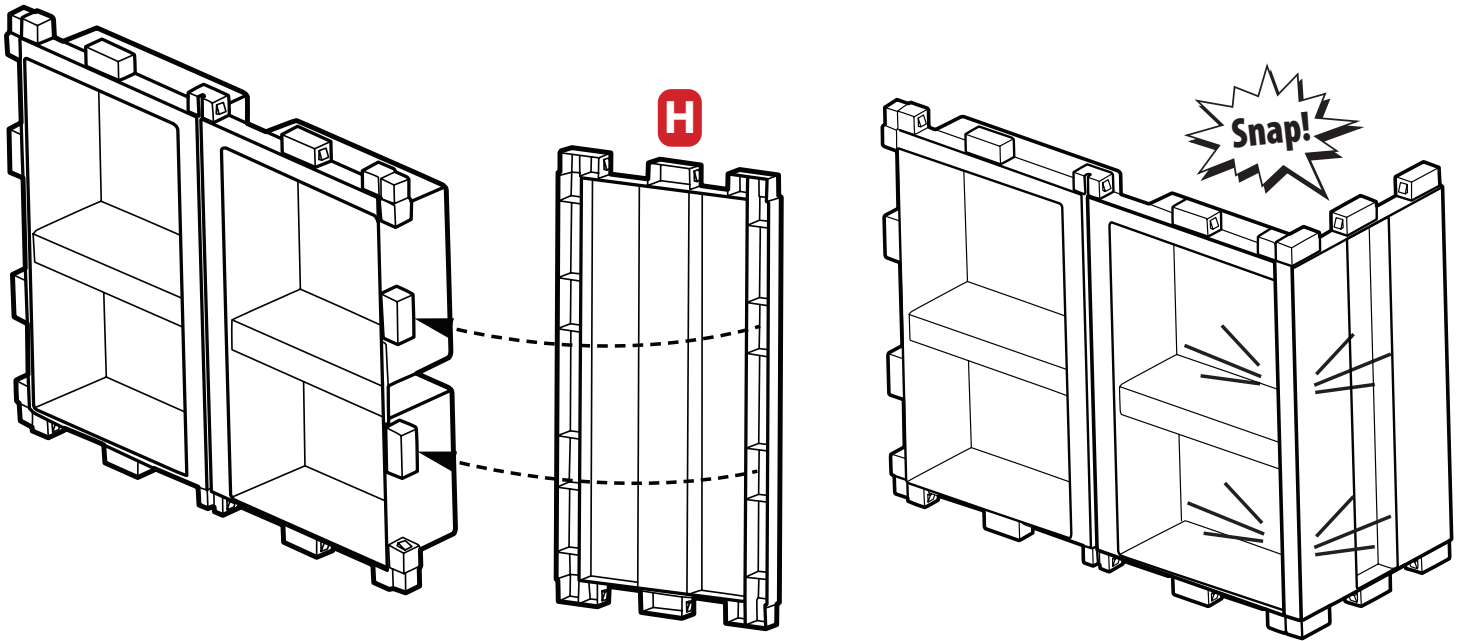
First, place the Left side - back wall (part B) onto the Right side - back wall (part A).

Second, secure using (2) 1/2" (1,27 cm) screws.



2 Get Snappin'

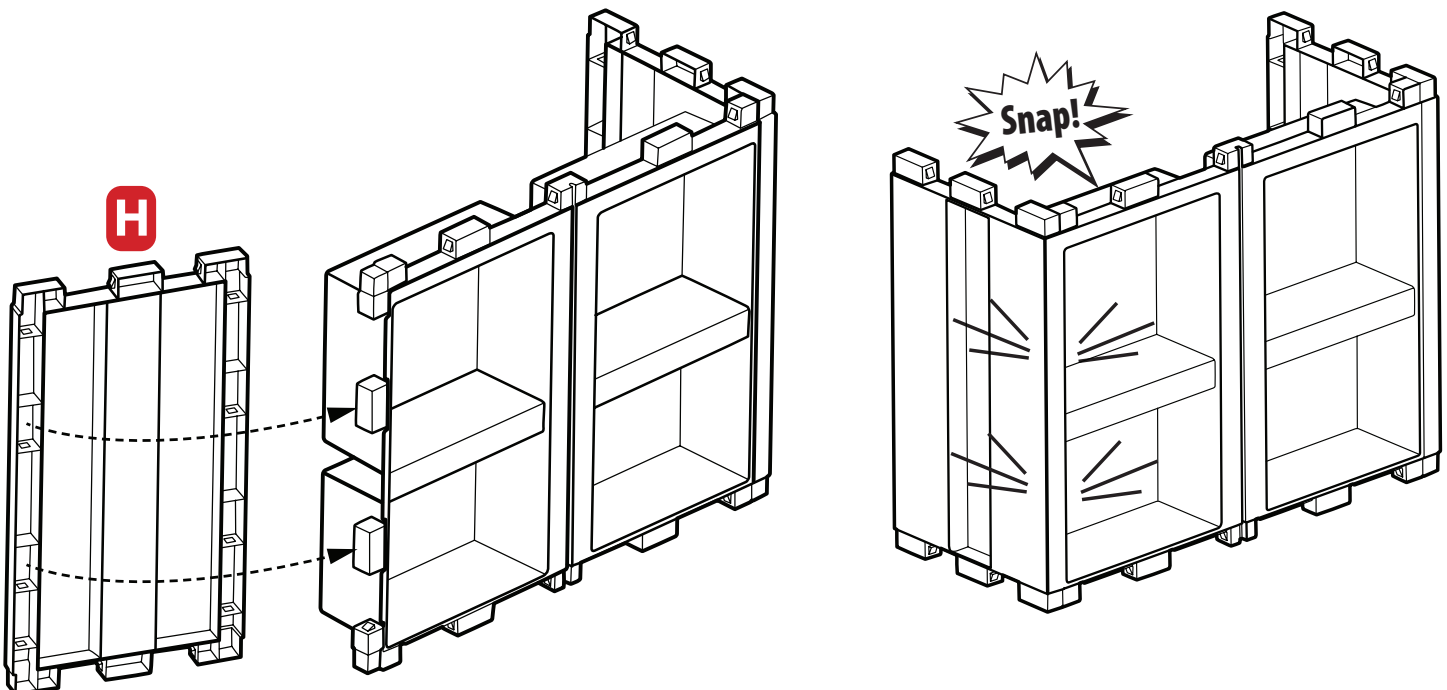
Snap (1) side (part H) onto the assembled back walls.



WAIT!

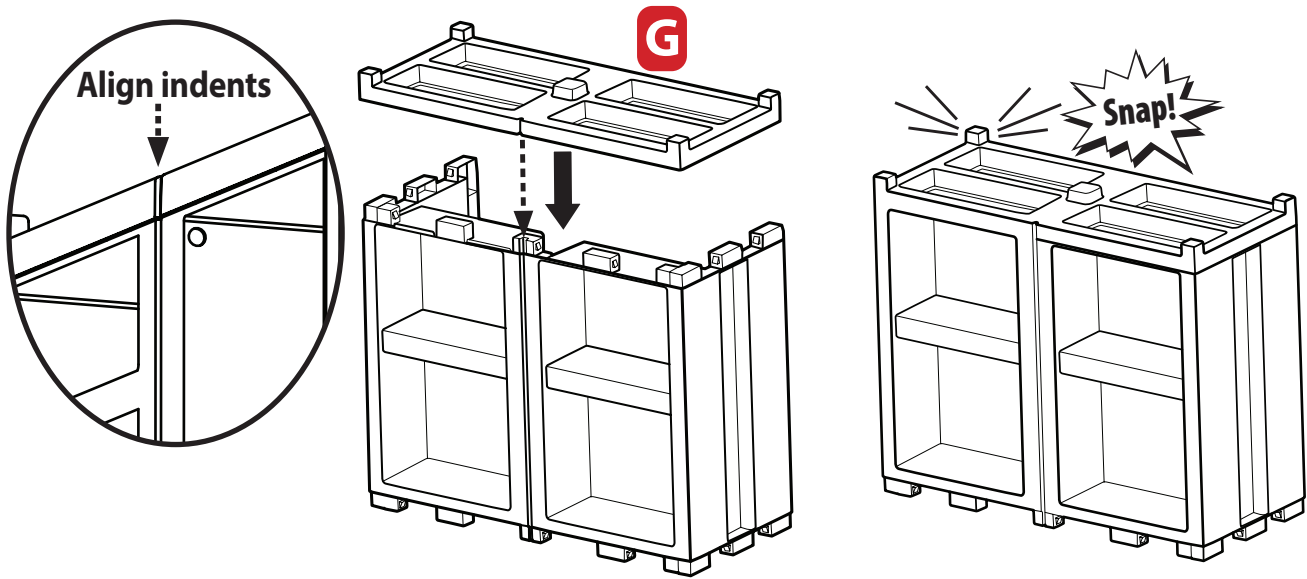
**Make sure ALL (4) tabs line up before snapping!
If they don't line up - flip the side around.**

Snap (1) side (part H) onto the opposite side of assembled back walls.

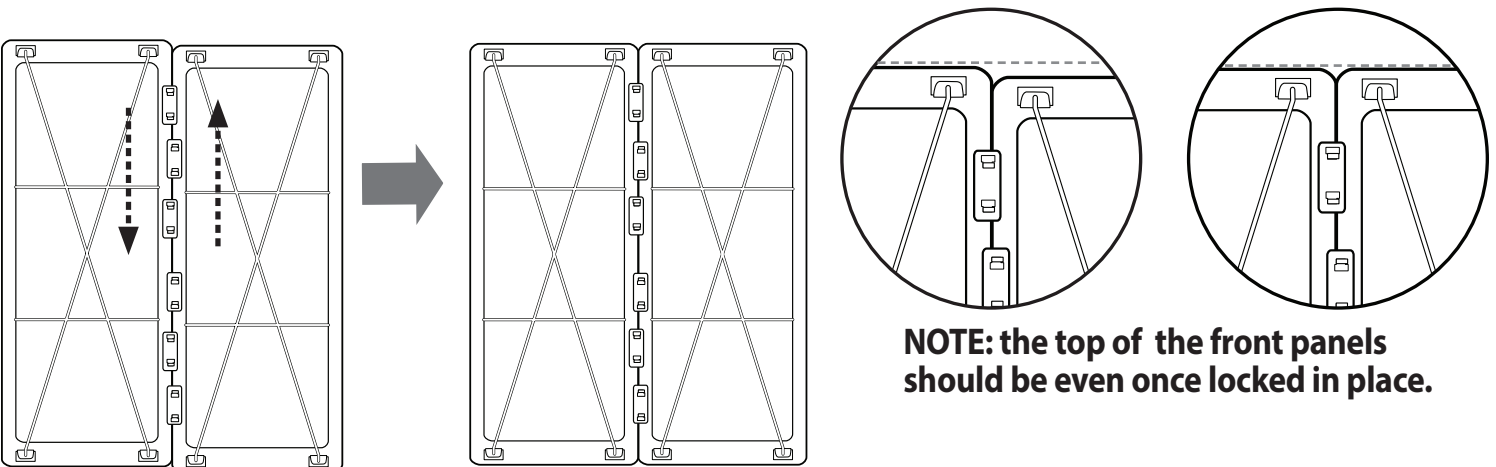
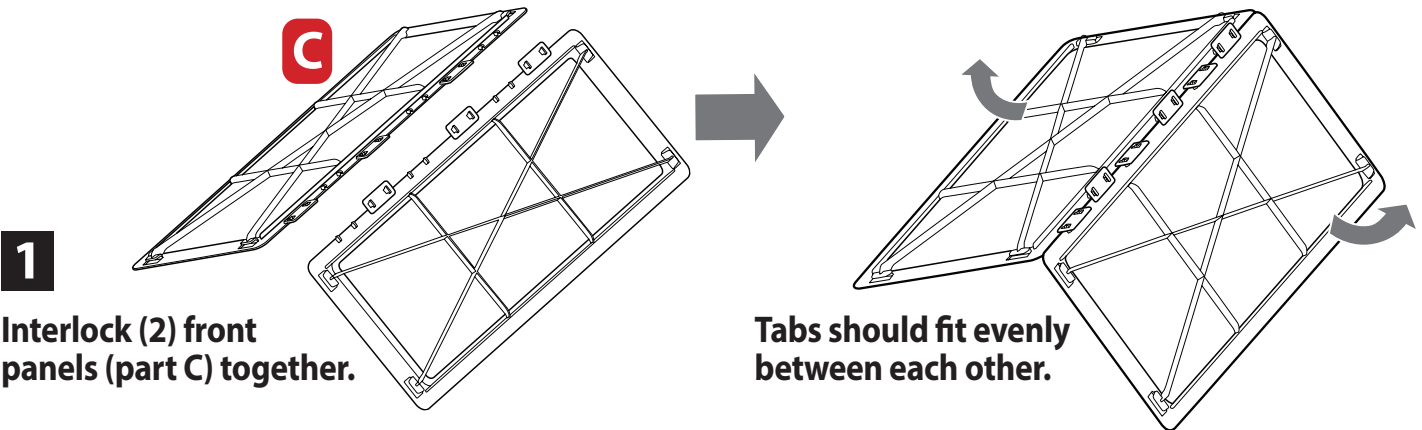


3 Flip it

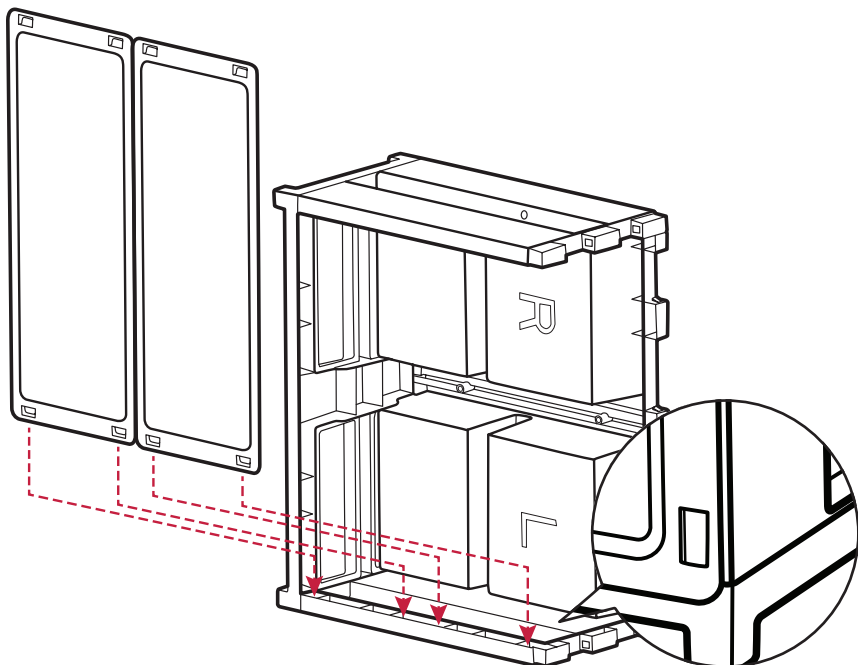
Turn the unit upside down and snap on the bottom platform (part G).



4a Fits together and locks....



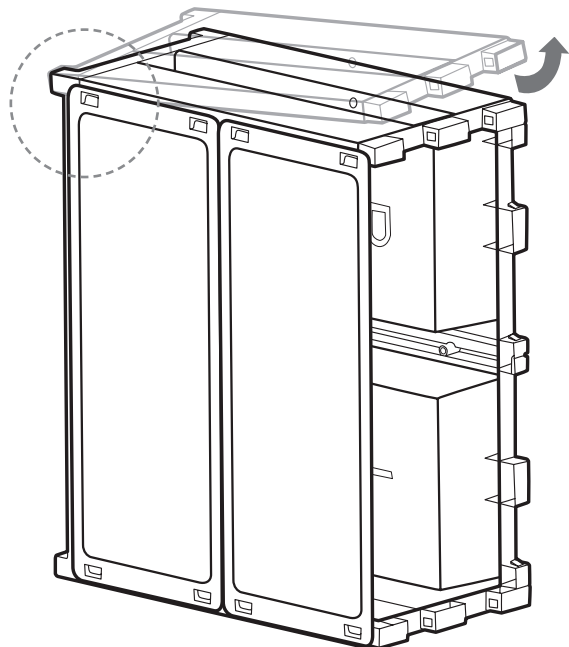
4b Front panel slides right in!



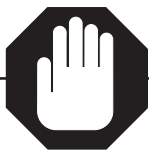
- 1** Lay unit on its side. Insert the assembled front panels (part C) into the unit. Tabs should be fully inserted into the wall.

2a Lift up the side wall in order to insert the CORNER TAB FIRST.

2b Once corner tab is inserted, push the remaining tabs into place as you move the wall back into position.

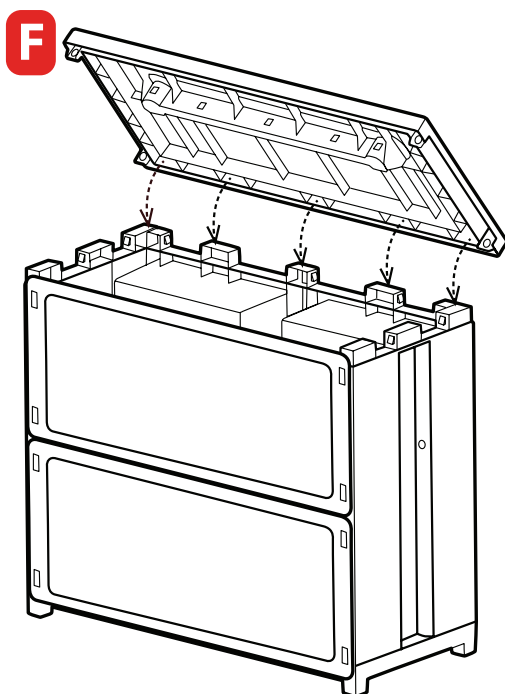


5 The countertop is a SNAP!

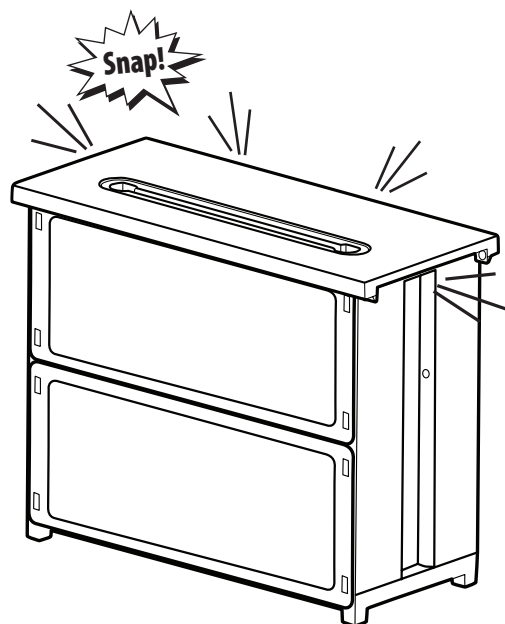


WAIT!

Make sure ALL the tabs line up and SNAP! If they don't, the countertop may appear wobbly.



Align the back of countertop (part F) to the notches on the base.

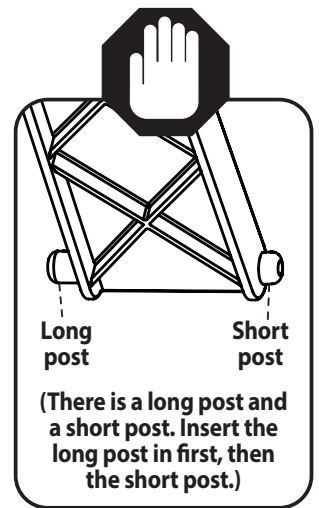
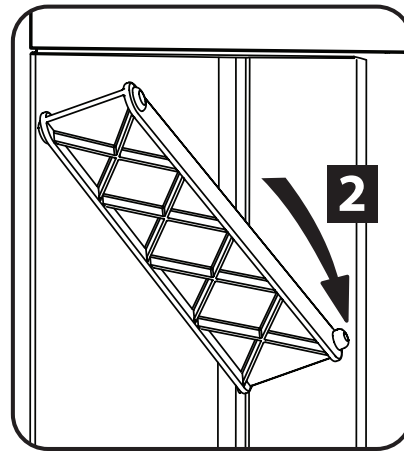
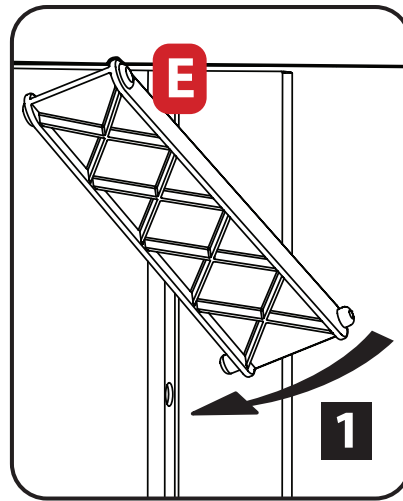
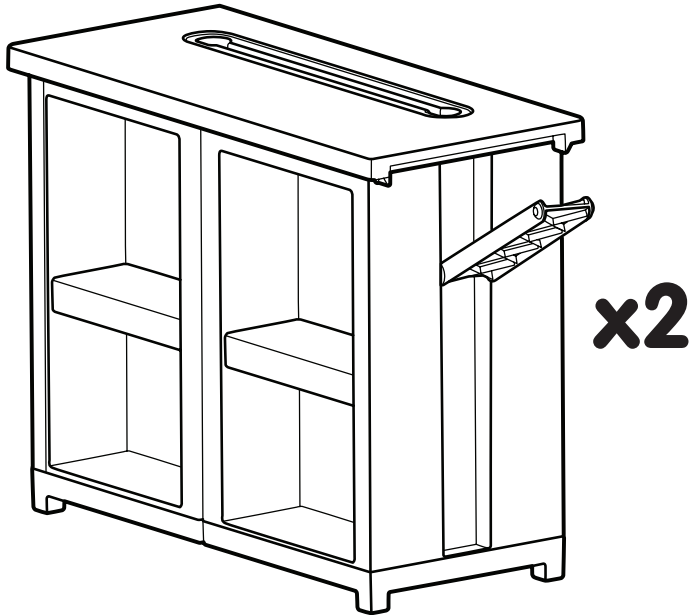


Press down on the countertop to snap in place.

6 A support on each side...

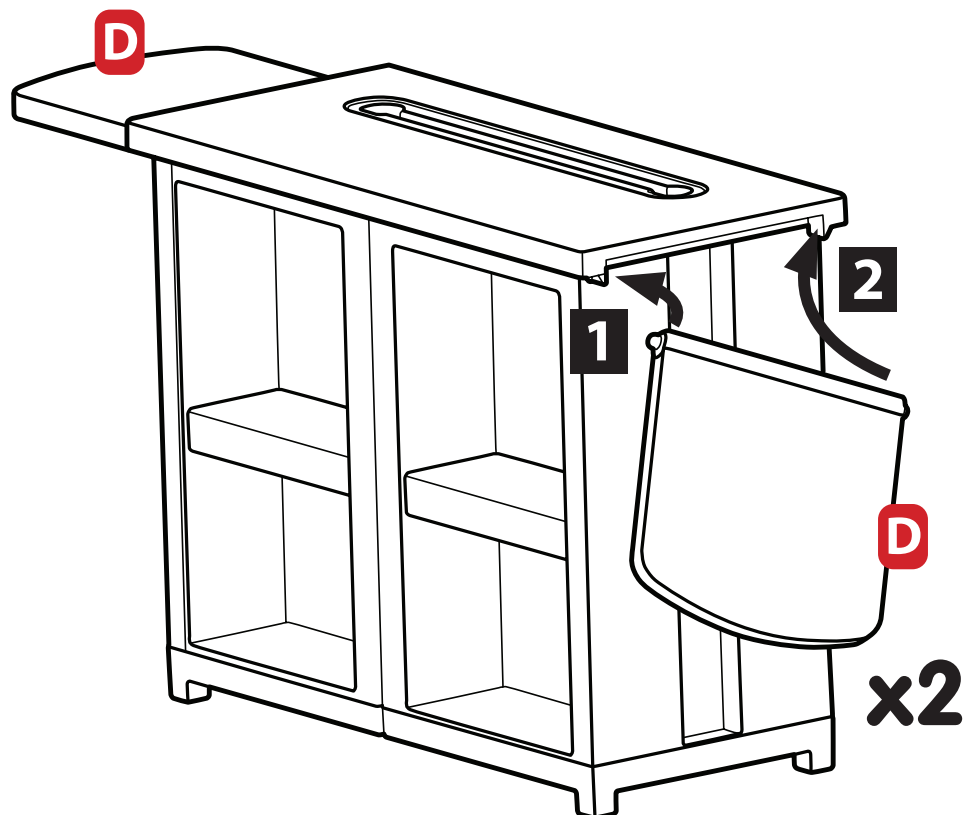
1. Pop in long post of the side table support (part E) into the side.
2. Slide down the beveled side of the side table support until it clicks into place.

Repeat other side.



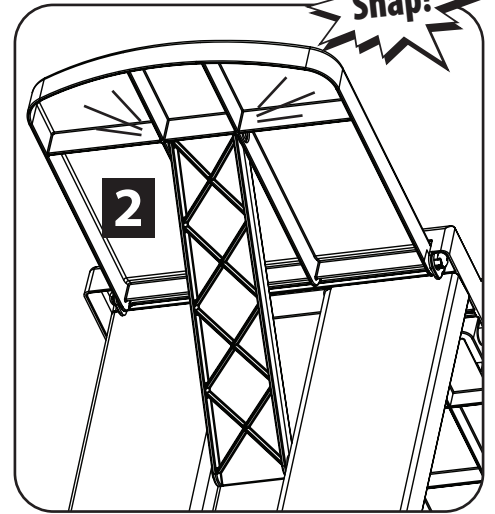
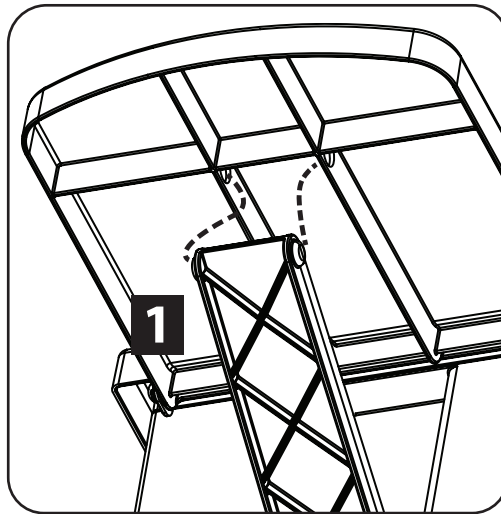
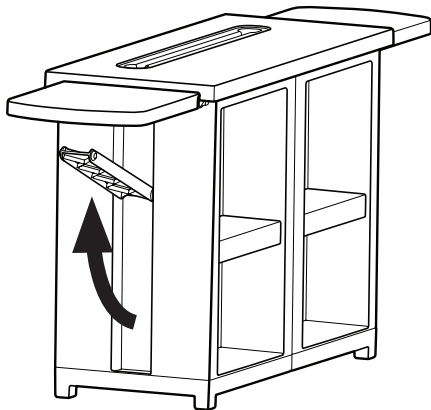
7 Swing it in

Pop-in the side table (part D) into countertop. Repeat other side.



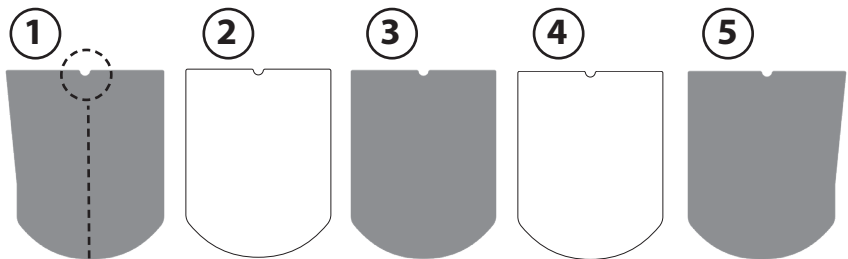
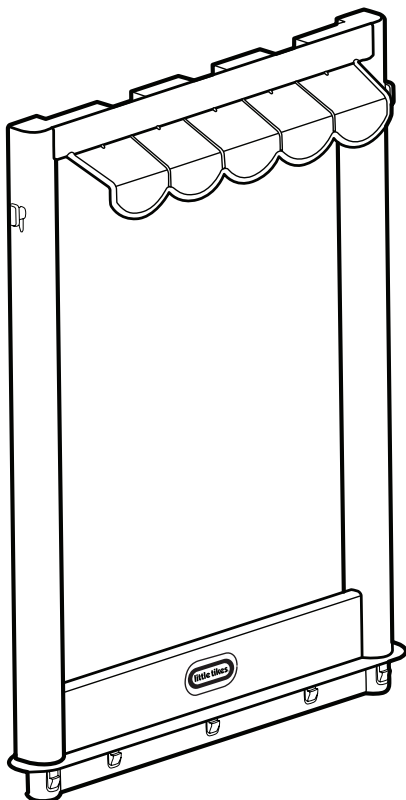
8 Still more to swing

Swing table support upward and snap it into the underneath of each side table.

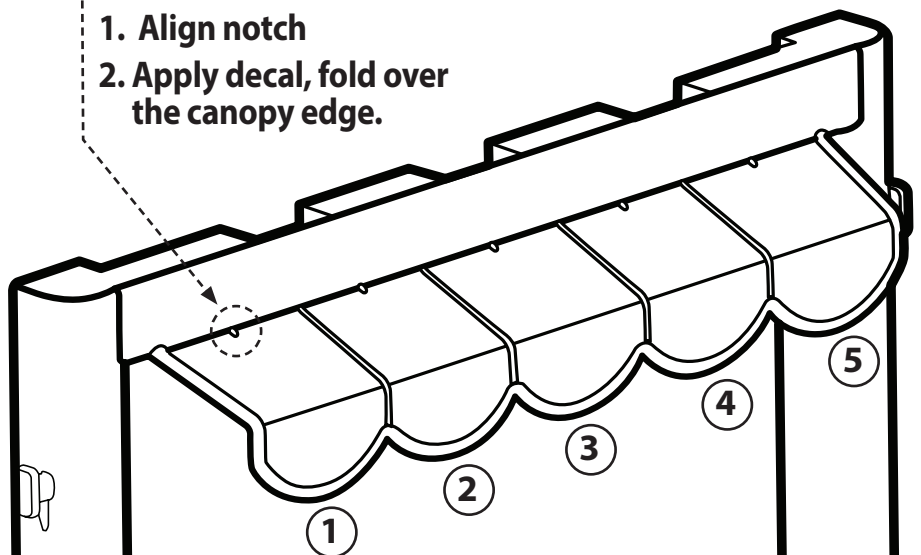


9 Green, white, green, white, green...

Apply decals 1 through 5 to the canopy on the top frame (part I). NOTE: to start align the notch, press decal smoothing from the center outward. Fold and press decal over canopy edge to finish.

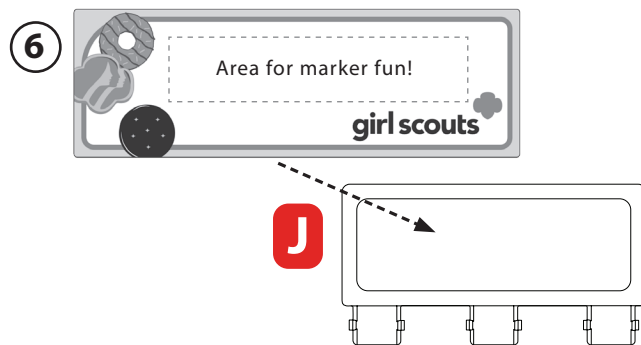


1. Align notch
2. Apply decal, fold over the canopy edge.

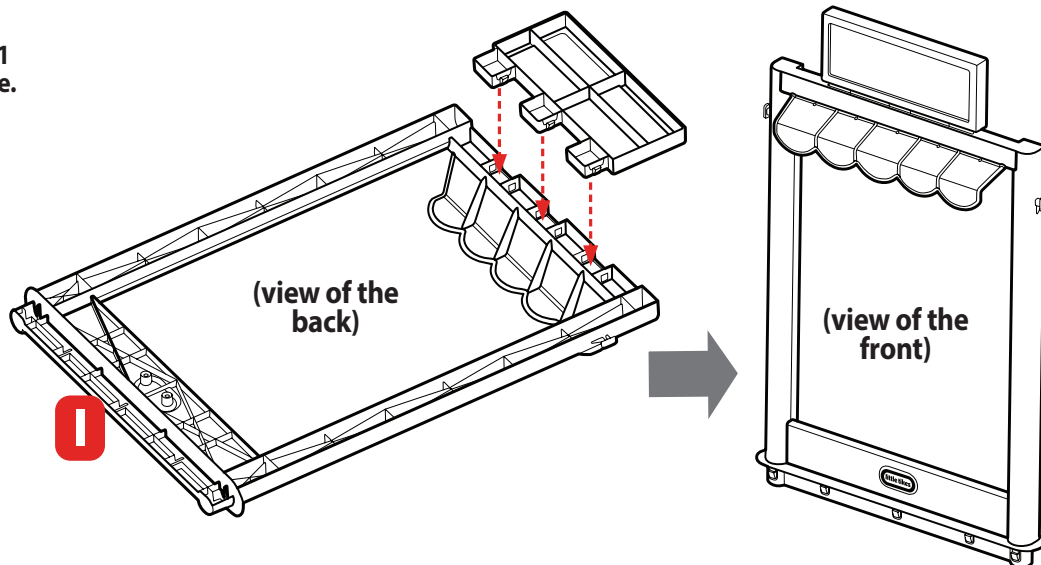
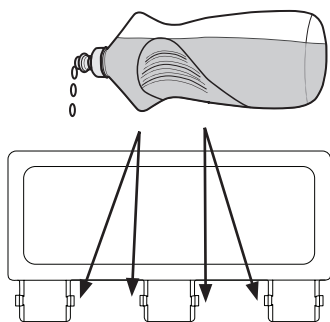


10 Sign me up!

Apply decal 6 to the sign (part J). NOTE: decals are permanent once placed on product. Then insert the sign (part J) into the top of the top frame (part I)

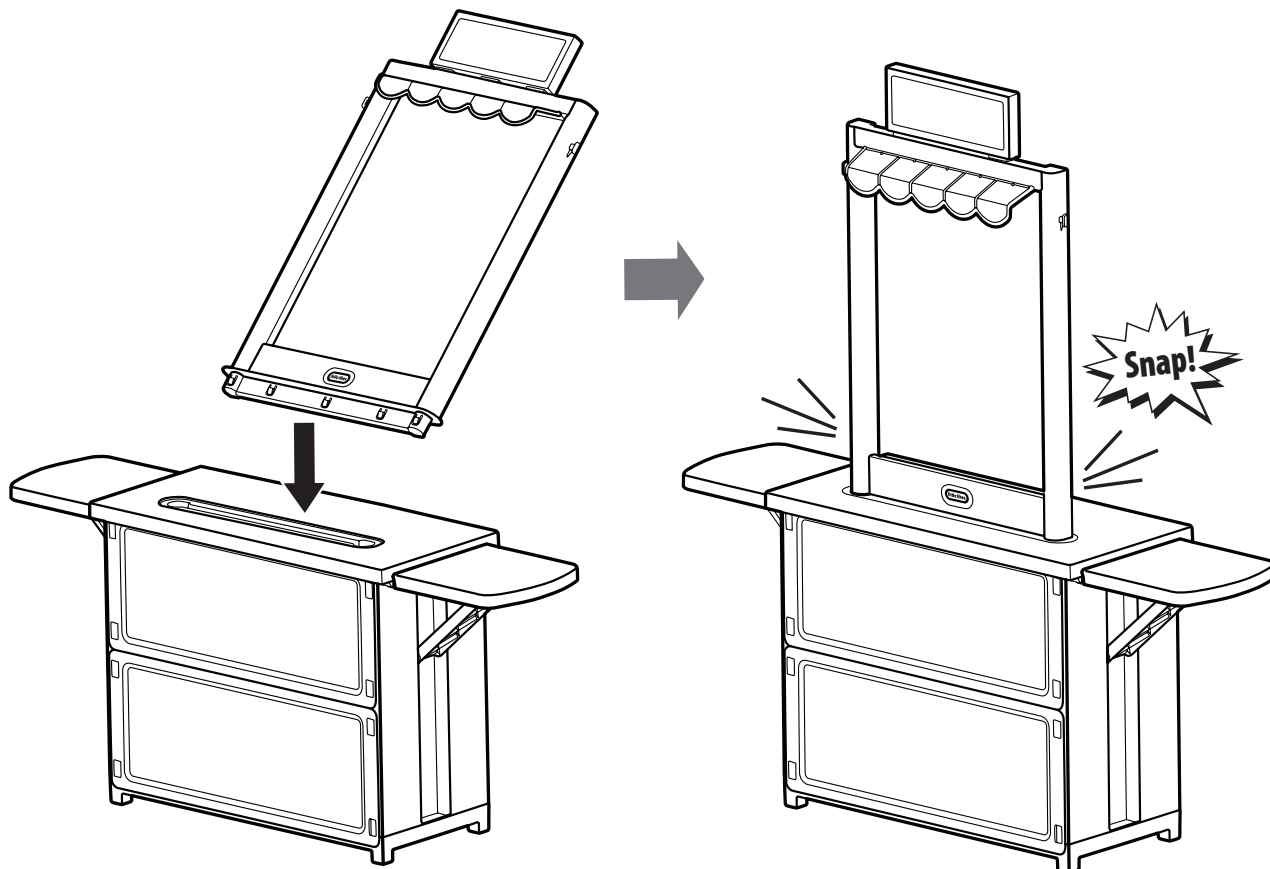


For Ease of Assembly: apply 1 tbsp. of liquid soap to surface.



11 Top frame

Snap the backwall (part I) into the assembled base.



12 Decal it up!

Decals must be applied to a clean, dry surface. Wipe clean with a dry rag before application. Remove air from under decals by applying pressure to the decals starting from the center, and work towards edges. NOTE: If decals bubble, prick with a pin to remove the air.

