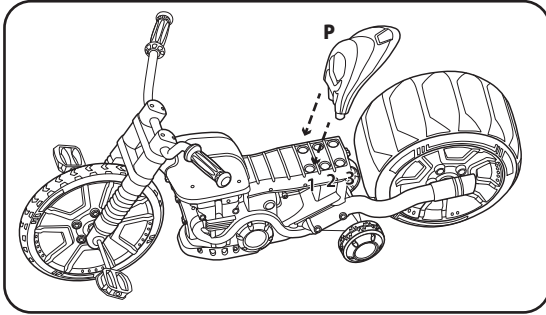


Backrest assembly



Press backrest (part P) into selected position.

LIMITED WARRANTY

The Little Tikes Company makes fun, high quality toys. We warrant to the original purchaser that this product is free of defects in materials or workmanship for one year * from the date of purchase (dated sales receipt is required for proof of purchase). At the sole election of The Little Tikes Company, the only remedies available under this warranty will be the replacement of the defective part or replacement of the product. This warranty is valid only if the product has been assembled and maintained per the instructions. This warranty does not cover abuse, accident, cosmetic issues such as fading or scratches from normal wear, or any other cause not arising from defects in material and workmanship. *The warranty period is three (3) months for daycare or commercial purchasers. **U.S.A and Canada:** For warranty service or replacement part information, please visit our website at www.littletikes.com, call 1-800-321-0183 or write to: Consumer Service, The Little Tikes Company, 2180 Barlow Road, Hudson OH 44236, U.S.A. Some replacement parts may be available for purchase after warranty expires—contact us for details. **Outside U.S.A and Canada:** Contact place of purchase for warranty service. This warranty gives you specific legal rights, and you may also have other rights, which vary from country/state to country/state. Some countries/states do not allow the exclusion or limitation of incidental or consequential damages, so the above limitation or exclusion may not apply to you.

Please keep this manual as it contains important information.
Illustrations are for reference only. Styles may vary from actual contents.

© The Little Tikes Company, an MGA Entertainment company. LITTLE TIKES® is a trademark of Little Tikes in the U.S. and other countries. All logos, names, characters, likenesses, images, slogans, and packaging appearance are the property of Little Tikes.

Printed in China

US/CA - Little Tikes Consumer Service
2180 Barlow Road, Hudson, Ohio 44236 U.S.A.
Phone: 1-800-321-0183
E-mail: service@littletikes.com

UK - MGA Entertainment UK Ltd. 50 Presley Way, Crownhill, Milton Keynes, MK8 0ES, Bucks, UK.
Little Tikes Consumer Services
P.O. Box 2040 Hockley, Essex, SS5 4BF
Phone: 0 800 521 558

EU - MGA Entertainment (Netherlands) B.V. Baronie 68-70, 2404XG, Alphen a/d Rijn, The Netherlands
Tel: +31-172-758-010
Email: klantenservice@mgae.com

AU/NZ - Imported by MGA Entertainment Australia Pty Ltd. Suite 5.05, 32 Delhi Road,
Macquarie Park NSW 2113. AU.
Tel: 1 300 059 676
Email: au-sales@mgae.com



www.littletikes.com
www.littletikes.co.uk
www.littletikes.com.au

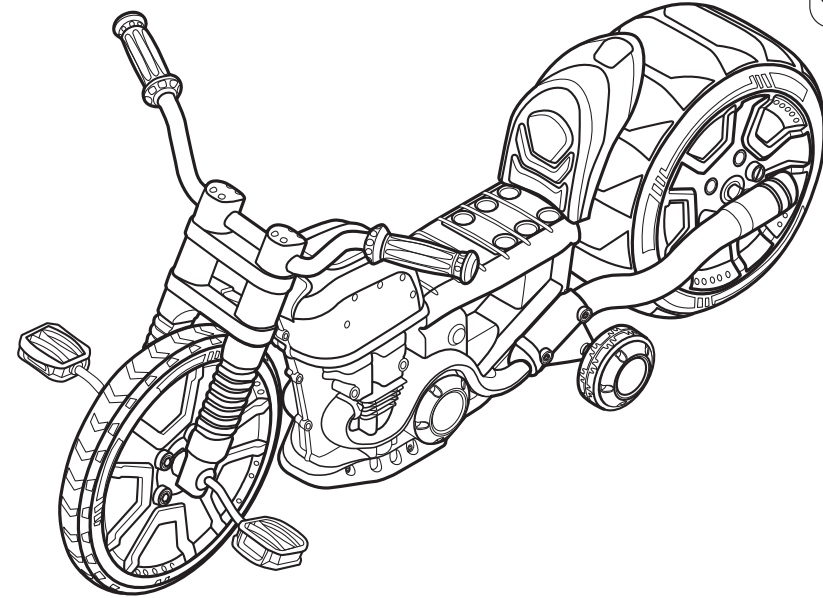
little tikes

Street Burner™

663420

Age 3-7 years
ADULT SUPERVISION AND ASSEMBLY REQUIRED

Tool required (included)



IMPORTANT THINGS YOU SHOULD KNOW!

⚠ WARNING - ADULT ASSEMBLY ONLY

- Read the entire instructions carefully before assembling and riding this product.

⚠ WARNING - ASSEMBLY

- Keep these instructions for future use.
- Ensure working area is free of danger. Always dispose of packaging material in such a way it may not cause any harm. Plastic bags can be dangerous. To avoid suffocation, keep plastic bags away from babies and children.
- To prevent serious injury, children must not use the equipment until completely assembled.
- It is the responsibility of the parent to Street Burner has been properly assembled, and the child is properly trained and instructed in use of the product before riding.
- This product is intended for outdoor domestic family use only.
- This product is for private, residential use only (no commercial or public use).

⚠ WARNING - Adult assembly required. Choking hazard to children under 3 years - contains small parts prior to assembly.

A few things before you start!

- Read through all the instructions first.
- BEFORE you begin assembly, make sure you have all the parts listed.
- Clear a flat surface to lay out all the materials so everything is close at hand.
- You will need a Phillips head screwdriver (included) to assemble the Street Burner.
 - When installing screws, be sure screws are tightened snugly, but do NOT OVERTIGHTEN.
- Illustrations are for reference only. Styles may vary from actual contents.
- Questions? We're here to help. Call the Little Tikes customer service team.

Let's be careful!!!

READ AND FOLLOW ALL INSTRUCTIONS TO ENSURE A SAFE RIDE. Failure to read and understand all information in this manual increases risk of injury due to fall or other incidents. Riding the Street Burner takes skill and must be learned under adult supervision. By riding the Street Burner, users risk serious injury or death from collisions, falls or loss of control.

PARENTS: For your child's safety, it is your responsibility to ensure your child fully understands all warnings, cautions and instructions in this manual prior to riding the Street Burner. Parental supervision is required at all times while your child is riding the Street Burner. Periodically review the information in this manual with young riders. Before each use, inspect the Street Burner for any damage and do not allow children to ride the Street Burner if it is broken or damaged in any way. Properly maintain the Street Burner in accordance with the instructions. Do not make modifications to the Street Burner.



WARNINGS! -- USAGE

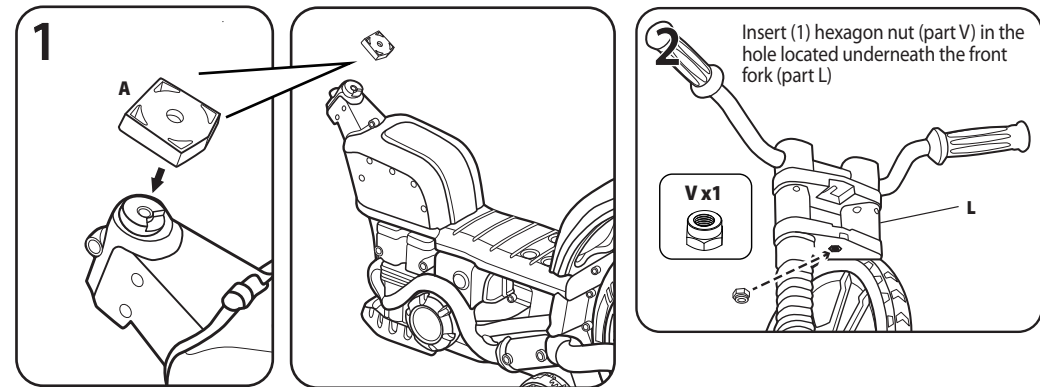
- Always wear proper safety gear including a helmet with chin strap, knee pads, and elbow pads. Ensure the chin strap is securely fastened prior to riding.
- Always wear closed-toe shoes with laces. Do not wear slip ons or sandals. Do not ride barefoot.
- Keep shoelaces, hair and other objects away from rotating wheels and other moving parts of the unit.
- Only one rider at a time.
- Hold on to handlebars at all times while riding.
- Do not ride in areas with vehicular traffic or in the street.
- Watch out for pedestrians. Do not ride in heavily-traveled areas. Ride in open spaces away from obstacles.
- Ride on smooth, even surfaces. Avoid bumps, drainage grates, and surface changes to prevent the Street Burner for suddenly stopping.
- Avoid slopes with a high grade. Excessive downhill speed is dangerous and should be avoided.
- Never use near steps, sloped driveways, hills, roadways, alleys or swimming pool areas.
- Avoid surfaces with water, sand, gravel, dirt, leaves, and other debris. Wet weather impairs traction, braking, and visibility.
- Do not ride the Street Burner in wet weather. The Street Burner is intended for use on a solid, flat, clean and dry surface, such as pavement or level ground without loose debris, such as rocks or gravel.
- Wet, slick or uneven surfaces may impair traction and contribute to possible accidents. Do not ride the Street Burner in mud, ice, puddles or water.
- Do not ride at night, as visibility is limited.
- Warning. This toy has no brake.
- Obey all local traffic laws and regulations.
- Do not let others ride the unit until they have read this entire manual.



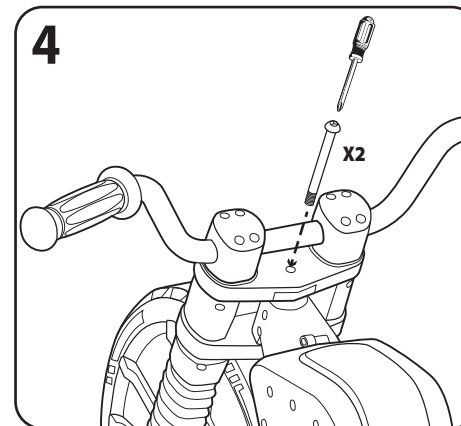
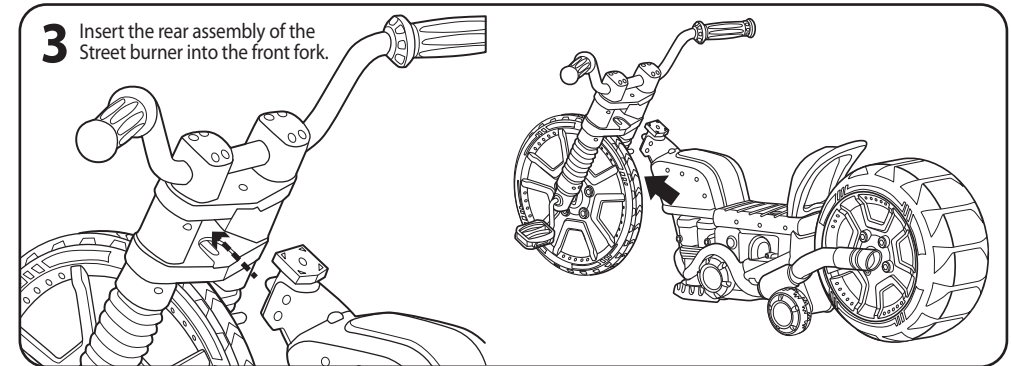
WARNINGS!

- **Adult Assembly Required**
- Keep these instructions as it contains important information.
- Prior to assembly, this package contains small parts: hardware which is a choking hazard and may contain sharp edges and sharp points. Keep away from children until assembled.
- Maximum weight limit: 69 lbs. (31.2 Kg)
- This product is intended for use by children ages 3 - 7 yrs.
- This product is intended for indoor family use only.
- Adult supervision required. Do not leave children unattended.

Attaching rear assembly to the front fork

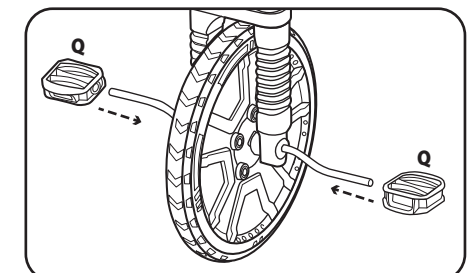


Assemble the A, front wheel assembly connector above and below the front attachment of the Street Burner.



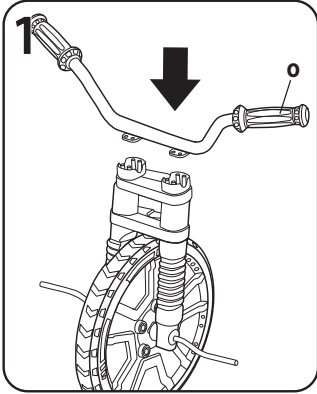
Insert (1) bolt (part X2) through the front fork assembly, through the front of the rear assembly, then into the hexagon nut in position under the front fork. Tighten with screwdriver (included). NOTE: be sure to hold the hexagon nut in place while tightening bolt.

Pedal assembly

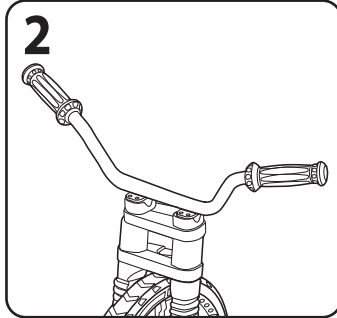


Insert (1) pedal (part Q) each side. Press until you hear it click in place.

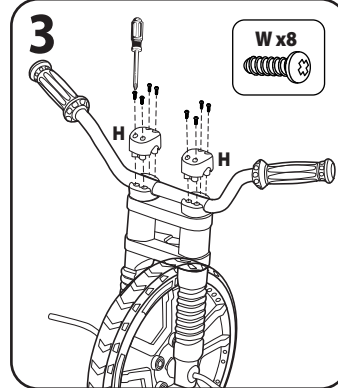
Handlebar Assembly



Turn the assembled front wheel upright. Place the handlebar (part O) onto the top of the front fork legs - in the groove between the screw holes.

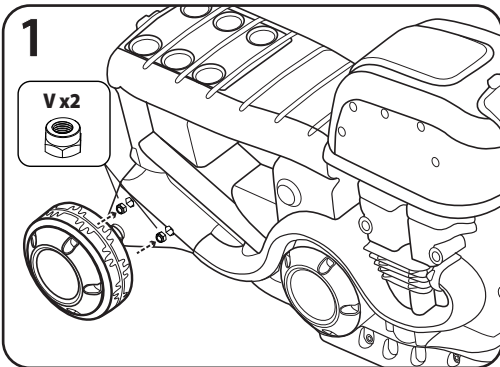


Insert the handlebar through the way down to screw compartment.

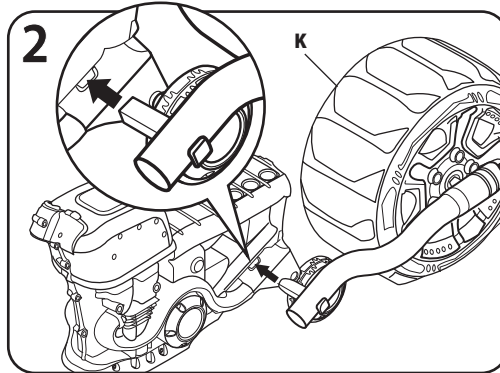


Place (1 each side) front fork - top (part H) over the handlebar. Secure the Front fork - top using (4) screws (part W) for each side. Tighten with screwdriver (included).

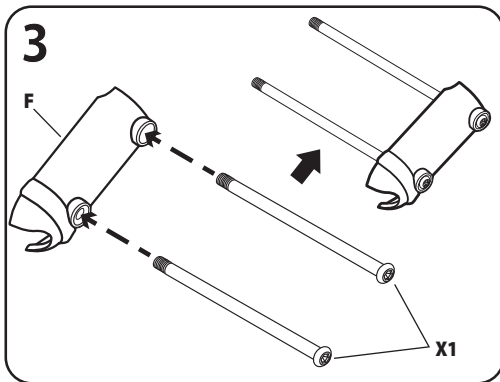
Rear wheel assembly



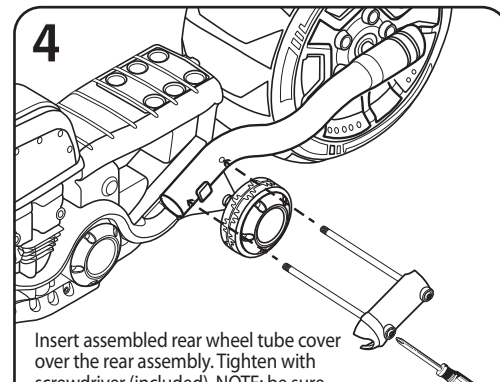
Locate the (2) hexagon nut holes. Insert (1) hexagon nut (part V) into each hole.



Insert the rear wheel assembly (part K) into the opening located on the opposite side of the Street Burner.



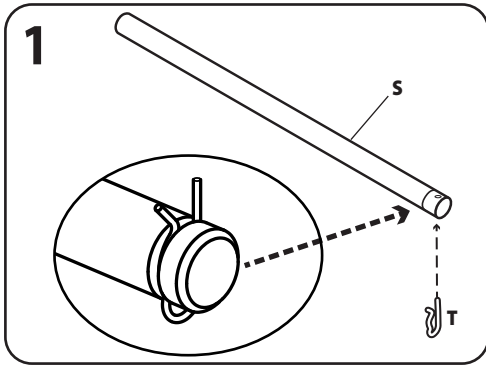
Insert (2) bolts (part X1) into the rear wheel tube cover (part F).



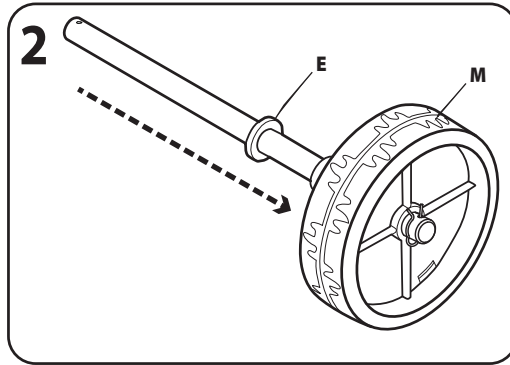
Insert assembled rear wheel tube cover over the rear assembly. Tighten with screwdriver (included). NOTE: be sure to hold the hexagon nut in place while tightening bolt.

CONTENTS		
<p>A. Front wheel assembly - connector A (1)</p>	<p>I. Street Burner body (1)</p>	<p>P. Backrest (1) Q. Pedals (2)</p>
<p>D. Front wheel inserts (2)</p>	<p>J. Front wheel (1)</p>	<p>R. Front wheel axle (1)</p>
	<p>K. Rear wheel (1)</p>	<p>S. Training wheel axle (1)</p>
	<p>L. Front fork (1)</p>	<p>T. Locking pin (2) U. Screw (8)</p>
<p>E. Training wheel bushings (2)</p>		<p>V. Hexagon (3) W. Screw 4X40 (8)</p>
<p>F. Rear wheel tube cover (1)</p>	<p>M. Training wheels (2)</p>	<p>X1. Bolt - rear wheel assembly (2)</p>
<p>G. Front fork - bottom (2)</p>	<p>N. Training wheel covers (2)</p>	<p>X2. Bolt - fork assembly (1)</p>
<p>H. Front fork - top (2)</p>	<p>O. Handlebar (1)</p>	<p>Screwdriver included (1)</p>

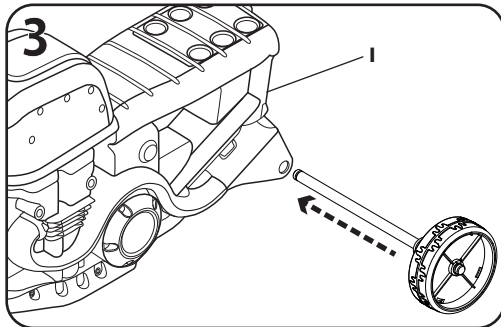
Training Wheels Assembly



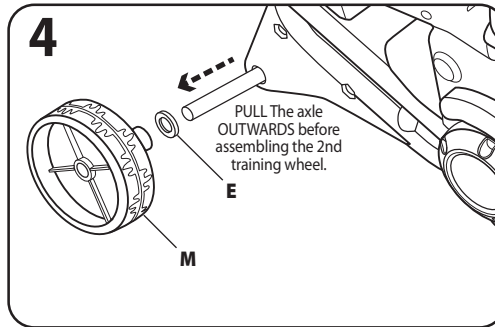
Install (1) locking pin (part T) into one end of the training wheel axle (part S) as shown.



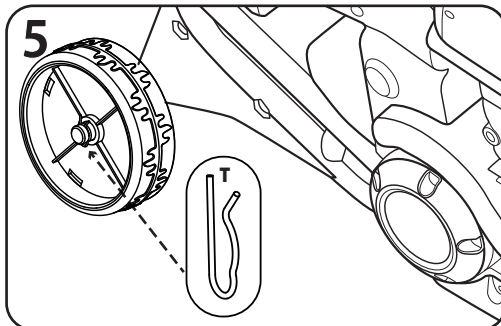
Slide onto training wheel axle, (1) training wheel (part M) and (1) training wheel bushing (part E).



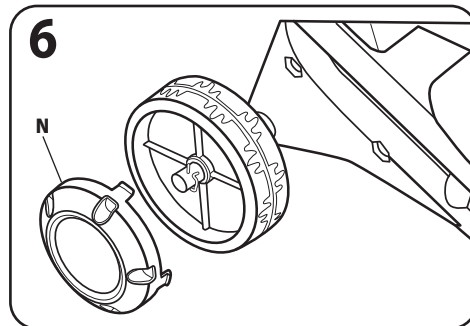
Slide the training wheel assembly into the Street Burner body (part I).



Slide onto open end of training wheel axle, (1) training wheel bushing (part E) then (1) training wheel (part M).
PULL The axle OUTWARDS before assembling the 2nd training wheel.

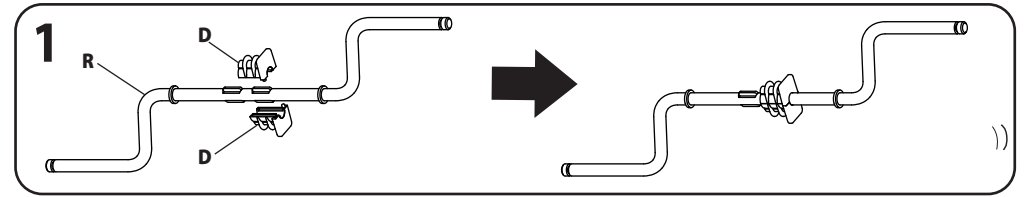


Install (1) locking pin (part T) into end of the training wheel axle (part S) as shown.

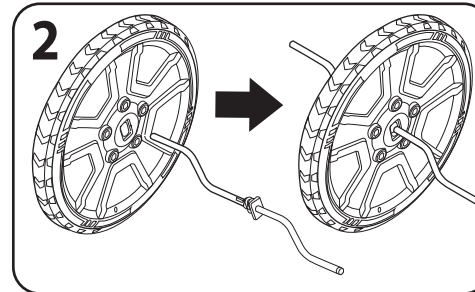


Snap on training wheel cover (part N). Repeat on the other wheel.

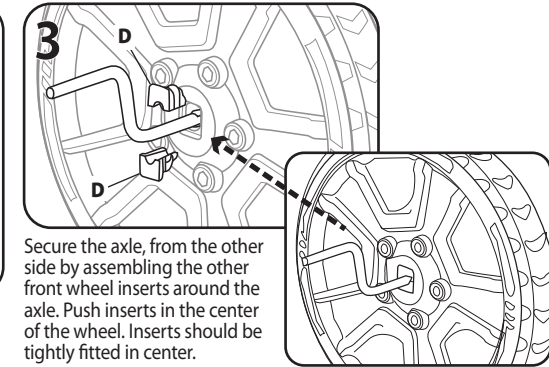
Front Wheel Assembly



Assemble a top and bottom - front wheel insert (part D) around one swedge of the front wheel axle (part R).

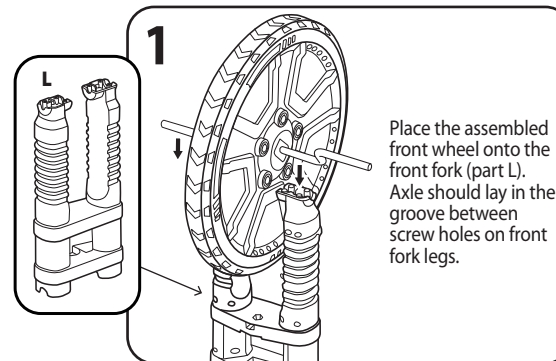


Insert the assembled front wheel axle through the front wheel (part J). Press the front wheel inserts into the center hub of the wheel. Inserts should be tightly fitted in center.

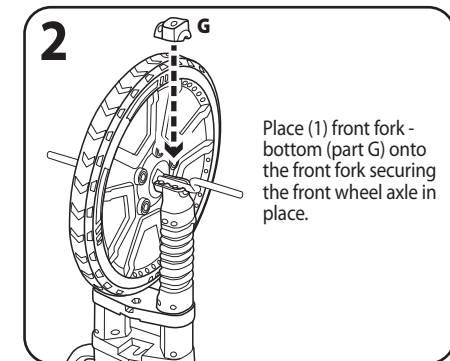


Secure the axle, from the other side by assembling the other front wheel inserts around the axle. Push inserts in the center of the wheel. Inserts should be tightly fitted in center.

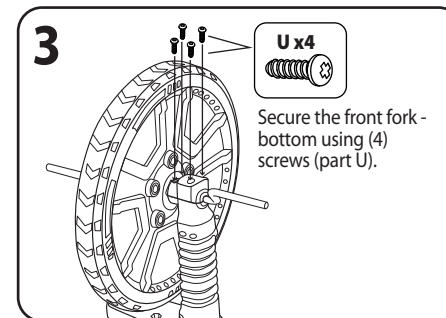
Front Wheel Installation



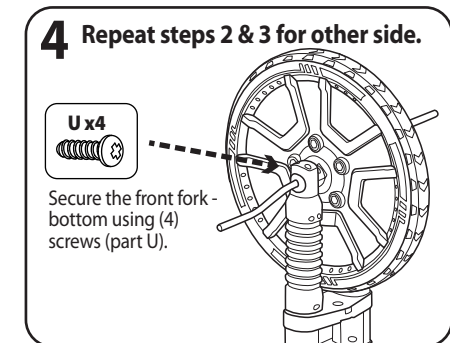
Place the assembled front wheel onto the front fork (part L). Axle should lay in the groove between screw holes on front fork legs.



Place (1) front fork-bottom (part G) onto the front fork securing the front wheel axle in place.



Secure the front fork-bottom using (4) screws (part U).



Repeat steps 2 & 3 for other side.

Secure the front fork-bottom using (4) screws (part U).

Secure the front fork-bottom using (4) screws (part U).