

LIMITED WARRANTY

The Little Tikes Company makes fun, high quality toys. We warrant to the original purchaser that this product is free of defects in materials or workmanship for one year * from the date of purchase (dated sales receipt is required for proof of purchase). At the sole election of The Little Tikes Company, the only remedies available under this warranty will be the replacement of the defective part or replacement of the product. This warranty is valid only if the product has been assembled and maintained per the instructions. This warranty does not cover abuse, accident, cosmetic issues such as fading or scratches from normal wear, or any other cause not arising from defects in material and workmanship. *The warranty period is three (3) months for daycare or commercial purchasers. **U.S.A and Canada:** For warranty service or replacement part information, please visit our website at www.littletikes.com, call 1-800-321-0183 or write to: Consumer Service, The Little Tikes Company, 2180 Barlow Road, Hudson OH 44236, U.S.A. Some replacement parts may be available for purchase after warranty expires—contact us for details. **Outside U.S.A and Canada:** Contact place of purchase for warranty service. This warranty gives you specific legal rights, and you may also have other rights, which vary from country/state to country/state. Some countries/states do not allow the exclusion or limitation of incidental or consequential damages, so the above limitation or exclusion may not apply to you.



'Let's care for the environment!'

The wheelie bin symbol indicates that the product and its batteries must not be disposed of with other household waste. Please use designated collection points or recycling facilities when disposing of the item.

Please keep this manual as it contains important information.
Illustrations are for reference only. Styles may vary from actual contents.

© The Little Tikes Company, an MGA Entertainment company. LITTLE TIKES® is a trademark of Little Tikes in the U.S. and other countries. All logos, names, characters, likenesses, images, slogans, and packaging appearance are the property of Little Tikes.

Printed in China

US/CA - Little Tikes Consumer Service
2180 Barlow Road, Hudson, Ohio 44236 U.S.A.
Phone: 1-800-321-0183
E-mail: service@littletikescare.com

UK - MGA Entertainment UK Ltd.
50 Presley Way, Crownhill, Milton Keynes, MK8 0ES, Bucks, UK.
Little Tikes Consumer Services
P.O. Box 2040 Hockley, Essex, S55 4BF
Phone: 0 800 521 558
E-mail: support@littletikesstore.co.uk

EU - MGA Entertainment (Netherlands) B.V. Baronie 68-70,
2404XG, Alphen a/d Rijn, The Netherlands
Tel: +31-172-758-010
Email: klantenservice@mgae.com

AU/NZ - Imported by MGA Entertainment Australia Pty Ltd.
Suite 2.02, 32 Delhi Road,
Macquarie Park NSW 2113. AU.
Tel: 1 300 059 676
Email: au-sales@mgae.com



0822-0-E/INT

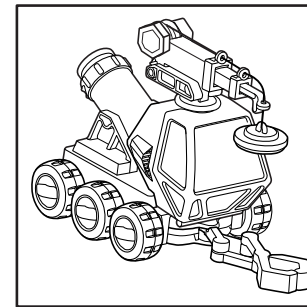


www.littletikes.com
www.littletikes.co.uk
www.littletikes.com.au



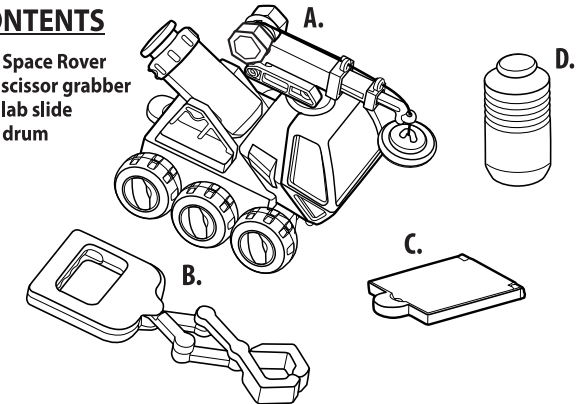
SPACE ROVER

SKU: 662157
AGES 3+ YEARS
ADULT SUPERVISION RECOMMENDED
ADULT ASSEMBLY AND BATTERY
INSTALLATION REQUIRED



CONTENTS

- A. 1 Space Rover
- B. 1 scissor grabber
- C. 1 lab slide
- D. 1 drum



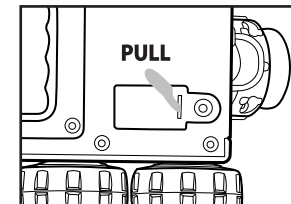
BATTERY ACTIVATION AND REPLACEMENT MUST BE COMPLETED BY AN ADULT



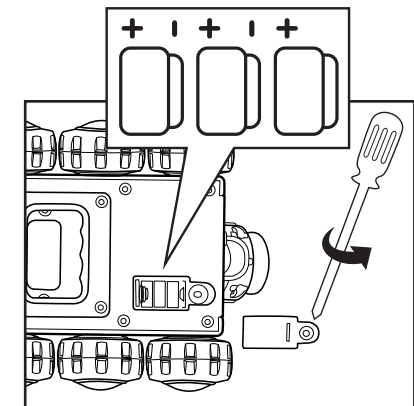
WARNING: Remove pull tab before playing with Space Rover (illus. 1).

To replace batteries:

1. Turn over the Space Rover and locate the battery door.
2. Using a Phillips screwdriver (not included) remove the screw and battery compartment cover.
3. Install three (3) LR44 button cell batteries (not included) making sure the (+) and (-) ends face the proper direction as indicated inside the battery compartment (illus. 2).
4. Replace the compartment cover and tighten the screw.



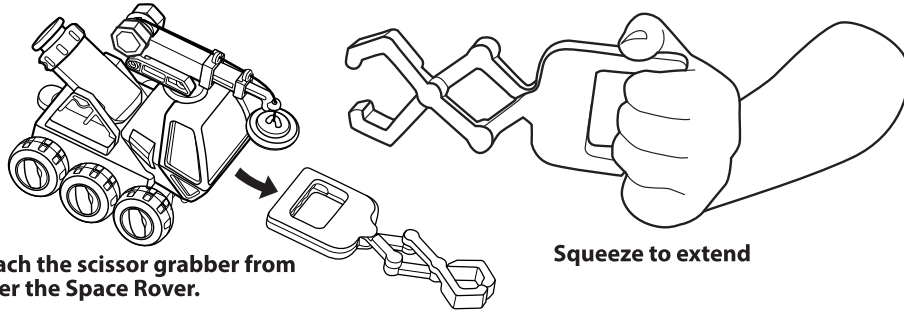
(illus. 1)



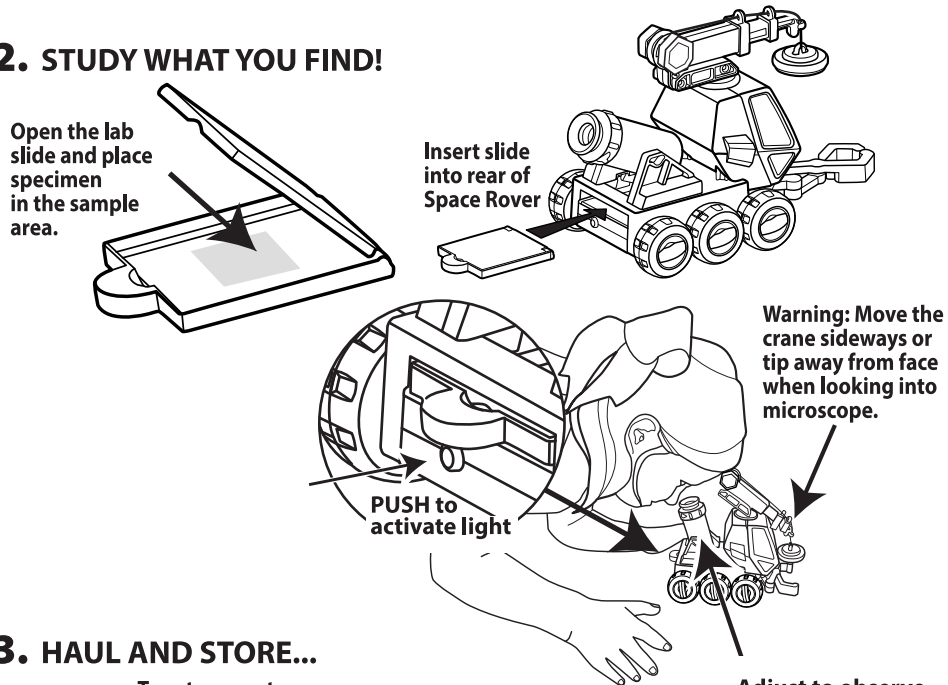
(illus. 2)

Many Ways to PLAY!!!

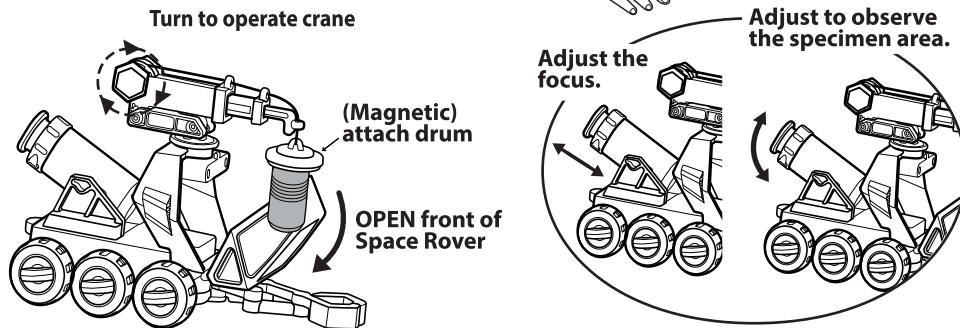
1. GRAB 'N GO...



2. STUDY WHAT YOU FIND!



3. HAUL AND STORE...



IMPORTANT INFORMATION

- ADULT ASSEMBLY AND BATTERY INSTALLATION REQUIRED.
- Keep water away from the battery compartment.
- This toy can be cleaned with a damp (not wet) cloth, please ensure that no moisture enters the electronics or battery compartment.



WARNING:

This product contains a Button or Coin Cell Battery. A swallowed Button or Coin Cell Battery can cause internal chemical burns in as little as two hours and lead to death. Dispose of used batteries immediately. Keep new and used batteries away from children. If you think batteries might have been swallowed or placed inside any part of the body, seek immediate medical attention.

IMPORTANT NOTES ABOUT BUTTON BATTERIES

- WARNING - KEEP BATTERIES OUT OF REACH OF CHILDREN
- Swallowing may lead to serious injury in as little as 2 hours or death, due to chemical burns and potential perforation of the esophagus.
- If you suspect your child has swallowed or inserted a button battery immediately call the 24-hour Poisons Information Centre on 13 1126 (Australia)/ your local emergency services for fast, expert advice.
- Examine devices and make sure the battery compartment is correctly secured, e.g. that the screw or other mechanical fastener is tightened. Do not use if compartment is not secure.
- Dispose of used button batteries immediately and safely. Flat batteries can still be dangerous.
- Adults shall tell potential users about the risk of button batteries and keep their children away from button cell. Adult supervision is required.

BATTERY SAFETY INFORMATION

- Use only size LR44 button cell batteries (3 required).
- Charging of rechargeable batteries should only be done under adult supervision.
- Remove rechargeable batteries from the product before recharging.
- Do not mix old and new batteries.
- Do not mix alkaline, standard (carbon-zinc), or rechargeable batteries.
- Be sure to insert the batteries correctly and follow the toy and battery manufacturer's instruction.
- Always remove exhausted or dead batteries from the product.
- Dispose of dead batteries properly: do not burn or bury them.
- Do not attempt to recharge non-rechargeable batteries.
- Avoid short-circuiting battery terminals.
- Remove batteries before placing the unit into storage for a prolonged period of time.

FCC COMPLIANCE

NOTE: This equipment has been tested and found to comply with the limits for a Class B digital device, pursuant to Part 15 of the FCC Rules. These limits are designed to provide reasonable protection against harmful interference in a residential installation. This equipment generates, uses and can radiate radio frequency energy and, if not installed and used in accordance with the instructions, may cause harmful interference to radio communications. However, there is no guarantee that interference will not occur in a particular installation. If this equipment does cause harmful interference to radio or television reception, which can be determined by turning the equipment off and on, the user is encouraged to try to correct the interference by one or more of the following measures:

- Reorient or relocate the receiving antenna.
- Increase the separation between the equipment and receiver.
- Connect the equipment into an outlet on a circuit different from that to which the receiver is connected.
- Consult the dealer or an experienced radio/TV technician for help.

This device complies with Part 15 of the FCC Rules. Operation is subject to the following two conditions: (1) This device may not cause harmful interference, and (2) this device must accept any interference received, including interference that may cause undesired operation.

Caution: Modifications not authorized by the manufacturer may void users authority to operate this device.

CAN ICES-3 (B) / NMB-3 (B).