


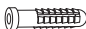





WALL MOUNTING ASSEMBLY

- For added safety and stability, install the wall mounting hardware.
- Always use wall anchors appropriate to your wall type, like plaster, drywall, concrete, etc.
- When possible, mount to wood studs.
- Consult a qualified professional for mounting.



HARDWARE

- A. Plastic Anchor 
- B. Large Washer 
- C. Screw 
- D. Plastic Anchor 

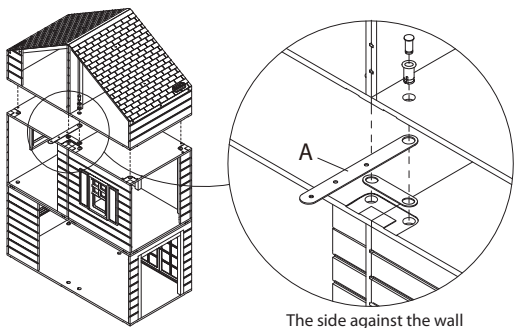
REQUIRED (NOT INCLUDED)

-  Electric Drill
-  1/4" (6.5 mm) Drill Bit
-  Phillips Screwdriver

REQUIRED (INCLUDED)

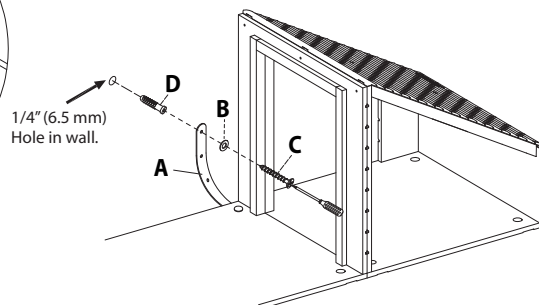
-  Stabilizer Connector
-  Plug and Lock

- 1** Place a stabilizer connector on the "L" recess hole. Place the plastic strip over the stabilizer connector. Then, secure in place with a lock and plug.



The side against the wall

- 2** Use a 1/4" (6.5 mm) drill bit to drill a pilot hole in the wall. Do NOT drill an oversized hole, or the wall anchor will not hold tightly to the wall. Tap the wall anchor into the hole. Secure the house to the wall with a screw (C) through the plastic strip and into the wall anchor.



1/4" (6.5 mm) Hole in wall.

⚠ WARNING!

- DO NOT install on a wall where items can fall off and injure a child.
- CHOKING HAZARD: Unassembled parts may be a choking hazard to children 3 years and younger.
- Adult assembly required. Hardware contains small screws with sharp points. Keep unassembled parts out of reach of small children.
- Serious or fatal injuries can occur from furniture tipping over. To prevent the product from tipping:
 - Use mounting hardware to secure the house to a wall. This will reduce, but NOT eliminate, the risk of tipping over.
 - DO NOT allow children to climb on the house.
 - Keep remote controls, toys, and other items that might attract children away from this product.
 - DO NOT place heavy items, like television, on top of this product.

little tikes

STACK n' STYLE
WOOD DOLLHOUSE

SKU: 661419C3

ADULT ASSEMBLY REQUIRED

ENG

3+
Years

⚠ WARNING:
CHOKING HAZARD—Small parts.
Not for children under 3 years.

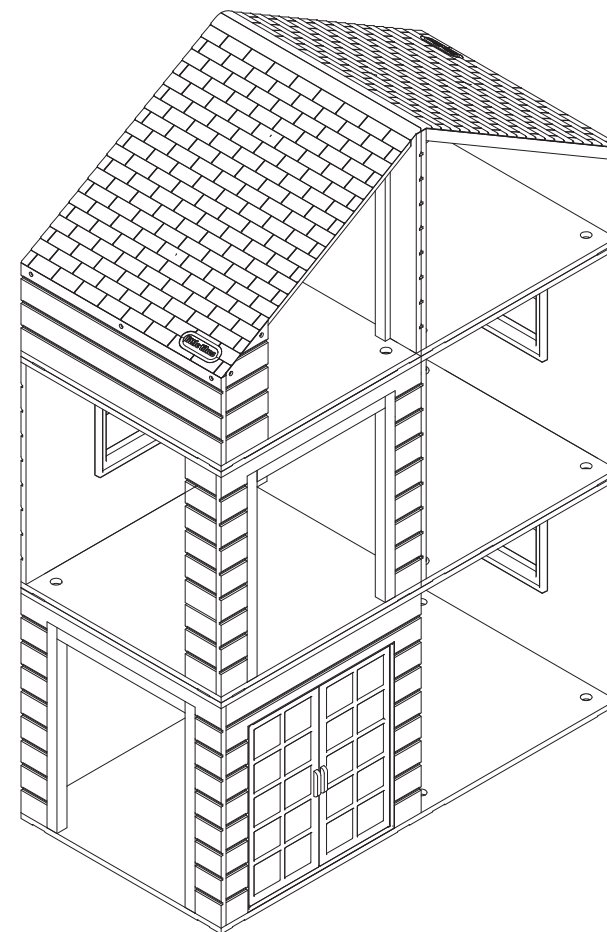
ASSEMBLY INSTRUCTIONS

TOOLS REQUIRED:
(not included)

 Phillips Screwdrivers



Scan for Assembly Videos & More:



Thank you for choosing the Little Tikes® Stack n' Style™ Wood Dollhouse. We strive to provide a durable, easy-to-assemble toy that is made to last, giving your child years of imaginative, engaging fun!

Battery Safety Information. This is serious!

- Keep these instructions for future reference.
- Requires 6 "AG13" (LR44) alkaline batteries (included). (Rechargeable batteries may be substituted.)
- The voltage of a fully-charged, rechargeable battery is often lower than that of a fresh alkaline battery. Therefore, it is recommended that alkaline batteries be used instead of rechargeable batteries for best performance and longer play time.
- Install batteries with the correct polarity (+ and -).
- To avoid battery leakage:
 1. Follow the toy and battery manufacturer's installation instructions.
 2. Do not mix old and new batteries.
 3. Do not mix standard (carbon-zinc), alkaline or rechargeable batteries. Do not mix different brands of batteries. Only batteries of the same or equivalent type as recommended are to be used.
 4. When toy is not used for an extended period of time, remove batteries to prevent possible leakage and damage to the unit.
 5. Remove dead or exhausted batteries from product.
 6. Dispose of dead batteries properly; do not bury. Do not dispose of batteries in fire as they may leak or explode.
- Make sure cover is properly installed on unit at all times.
- Do not attempt to recharge non-rechargeable batteries.
- Rechargeable batteries are to be removed from the toy before recharging.
- Charging of rechargeable batteries should be done by an adult.
- The supply terminals are not to be short circuited.

NOTE: If the unit stops working or doesn't work as it should, remove the batteries for a few minutes and then re-insert them. If there is still a problem, install new batteries.



WARNING:

This product contains a button cell battery. A button cell battery can cause severe or fatal injuries in as little as two hours if it is swallowed or placed inside any part of the body. Dispose of used batteries immediately. Keep new and used batteries away from children. If you think batteries might have been swallowed or placed inside any part of the body, seek immediate medical attention.

IMPORTANT NOTES ABOUT BUTTON BATTERIES

- WARNING - KEEP BATTERIES OUT OF REACH OF CHILDREN
- Swallowing may lead to serious injury in as little as 2 hours or death, due to chemical burns and potential perforation of the esophagus.
- If you suspect your child has swallowed or inserted a button battery immediately call the 24-hour Poisons Information Centre on 13 1126 (Australia)/ your local emergency services for fast, expert advice.
- Examine devices and make sure the battery compartment is correctly secured, e.g. that the screw or other mechanical fastener is tightened. Do not use if compartment is not secure.
- Dispose of used button batteries immediately and safely. Flat batteries can still be dangerous.
- Adults shall tell potential users about the risk of button batteries and keep their children away from button cell. Adult supervision is required.



'Let's care for the environment!'

The wheelie bin symbol indicates that the product must not be disposed of with other household waste. Please use designated collection points or recycling facilities when disposing of the item. Do not treat old batteries as household waste. Take them to a designated recycling facility.

© The Little Tikes Company, an MGA Entertainment company. LITTLE TIKES® is a trademark of Little Tikes in the U.S. and other countries. All logos, names, characters, likenesses, images, slogans, and packaging appearance are the property of Little Tikes.

Printed in China
0522-0-C3

CONSUMER SERVICE

Little Tikes Consumer Service
www.littletikes.com
2180 Barlow Road
Hudson, Ohio 44236 U.S.A.
1-800-321-0183

MGA Entertainment UK Ltd.
www.littletikes.co.uk
50 Presley Way, Crownhill, Milton
Keynes, MK8 0ES, Bucks, UK
support@LittleTikesStore.co.uk
Tel: +0 800 521 558

MGA Entertainment (Netherlands) B.V.
Baronie 68-70
2404 XG Alphen a/d Rijn
The Netherlands
Tel: +31 (0) 172 758038

Imported by MGA Entertainment Australia Pty Ltd
www.littletikes.com.au
Suite 2.02, 32 Delhi Road
Macquarie Park NSW 2113
1300 059 676



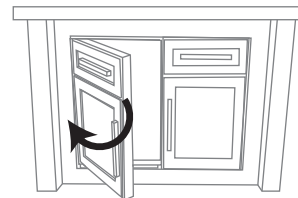
LIMITED WARRANTY

The Little Tikes Company makes fun, high quality toys. We warrant to the original purchaser that this product is free of defects in materials or workmanship for one year* from the date of purchase (dated sales receipt is required for proof of purchase). At the sole election of The Little Tikes Company, the only remedies available under this warranty will be the replacement of the defective part or replacement of the product. This warranty is valid only if the product has been assembled and maintained per the instructions. This warranty does not cover abuse, accident, cosmetic issues such as fading or scratches from normal wear, or any other cause not arising from defects in material and workmanship. *The warranty period is three (3) months for daycare or commercial purchasers.

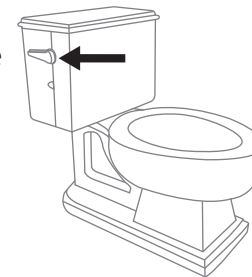
U.S.A. and Canada: For warranty service or replacement part information, please visit our website at www.littletikes.com, call 1-800-321-0183 or write to: Consumer Service, The Little Tikes Company, 2180 Barlow Road, Hudson OH 44236, U.S.A. Some replacement parts may be available for purchase after warranty expires—contact us for details.
Outside U.S.A. and Canada: Contact place of purchase for warranty service. This warranty gives you specific legal rights, and you may also have other rights, which vary from country/state to country/state. Some countries/states do not allow the exclusion or limitation of incidental or consequential damages, so the above limitation or exclusion may not apply to you.

ACCESSORIES' FEATURES

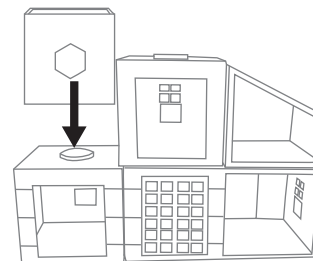
**Kitchen Island:
Doors open!**



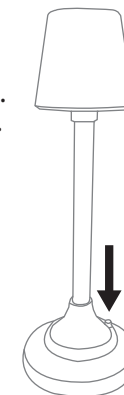
**Toilet:
Press the handle
button to hear
realistic flushing
sounds!**



**Mini Stackable Dollhouse:
Sections can be stacked
to match your big dollhouse!**



**Floor Lamp:
Press the button on the
base to turn on the light.
Press again to turn it off.**



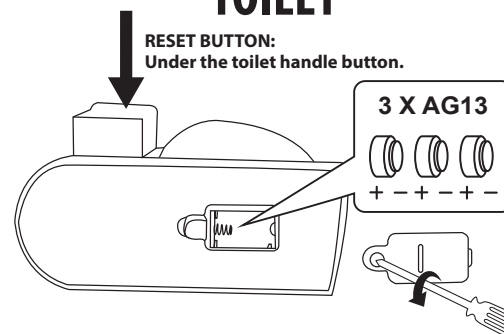
**NOTE: After 2 minutes,
the light will turn off.**

BATTERY REPLACEMENT

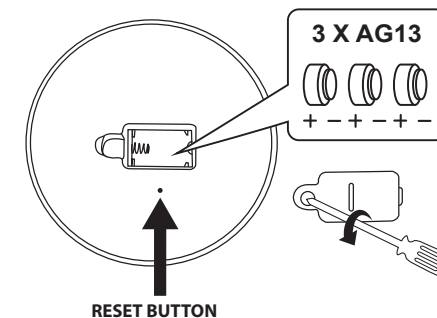
An adult must install fresh alkaline batteries in the toilet or floor lamp should the batteries need replacing. Here's how:

1. Using a Phillips screwdriver (not included) remove the screw and battery compartment cover from under the toilet or floor lamp.
2. Install three (3) 1.5V AG13 (LR44) alkaline batteries (not included) in the toilet or floor lamp, making sure the (+) and (-) ends face the proper direction as indicated inside the battery compartment.
3. Replace the compartment cover and tighten the screw.

TOILET

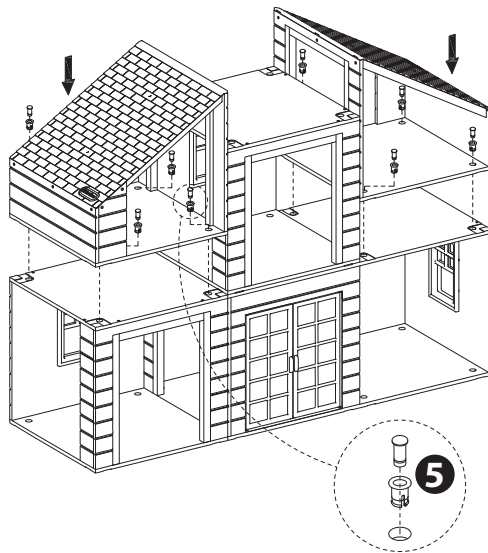
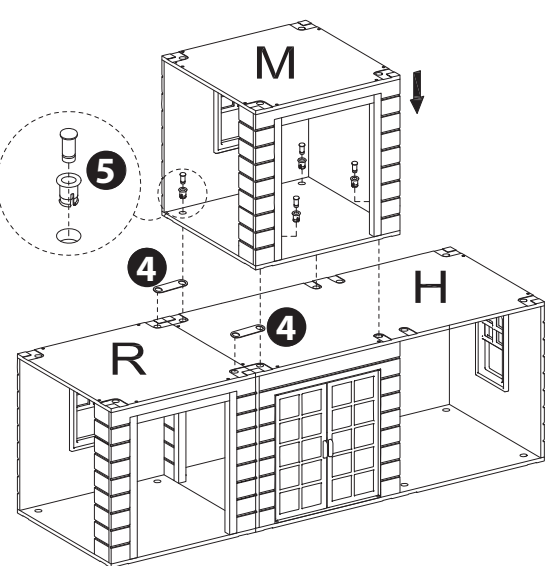
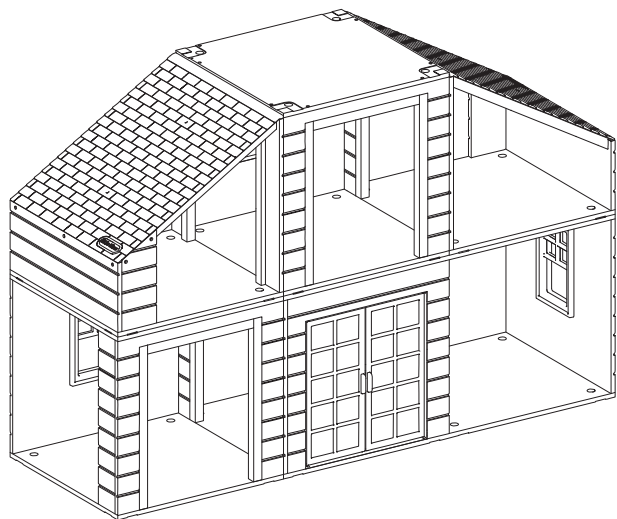


FLOOR LAMP



RESET BUTTONS: The toilet and floor lamp have reset buttons. If it stops working, use a sharp, pointed object to press the reset buttons.

CONFIGURATION 3



IMPORTANT INFORMATION YOU SHOULD KNOW!

- Read through all the instructions first.
- Clear a flat surface to lay out all the materials so that everything is close at hand.
- Illustrations are for reference only. Styles may vary from actual contents.
- Please remove all packaging including tags, ties & tacking stitches before giving this product to a child.
- Clean the unit with a slightly damp cloth if necessary.
- **DISPOSAL:** Disassemble and dispose of equipment in such a manner that no hazardous conditions such as, but not limited to, small parts and sharp edges exist at the time the equipment is discarded.
- **Make sure you have all contents before assembling. If anything is missing or if you have questions, we're here to help. Give our consumer service team a call at 1-800-321-0183.**

Let's be careful!

! WARNING!

- **ADULT ASSEMBLY REQUIRED.**
- Prior to assembly, this package contains small parts: hardware which is a choking hazard and may contain sharp edges and sharp points. Keep away from children until assembled.
- Please keep this manual as it contains important information.
- This product is intended for indoor use only.
- This product is intended for use by children ages 3 years and up.
- Place on flat, level surfaces free of objects that could cause the toy to tip over. Also, place out of the way of household traffic.
- Never use near staircase, steps, pools, hot surfaces, or areas that may be hazardous to a child.
- Do not use if damaged or broken.
- Follow the instruction step by step to assemble the product correctly, potential hazards may resulting from incorrect assembly.
- Do not allow children to sit, stand, play or climb on the top surface. Failure to do so may cause the product to become unstable.
- **It is not recommended to stack more than three floors. If stacking rooms with a roof, make sure to only stack it on top.**

FCC COMPLIANCE

NOTE: This equipment has been tested and found to comply with the limits for a Class B digital device, pursuant to Part 15 of the FCC Rules. These limits are designed to provide reasonable protection against harmful interference in a residential installation. This equipment generates, uses and can radiate radio frequency energy and, if not installed and used in accordance with the instructions, may cause harmful interference to radio communications. However, there is no guarantee that interference will not occur in a particular installation. If this equipment does cause harmful interference to radio or television reception, which can be determined by turning the equipment off and on, the user is encouraged to try to correct the interference by one or more of the following measures:

- Reorient or relocate the receiving antenna.
- Increase the separation between the equipment and receiver.
- Connect the equipment into an outlet on a circuit different from that to which the receiver is connected.
- Consult the dealer or an experienced radio/TV technician for help.

This device complies with Part 15 of the FCC Rules. Operation is subject to the following two conditions: (1) This device may not cause harmful interference, and (2) this device must accept any interference received, including interference that may cause undesired operation.

Caution: Modifications not authorized by the manufacturer may void users authority to operate this device. CAN ICES-3 (B)/NMB-3(B).

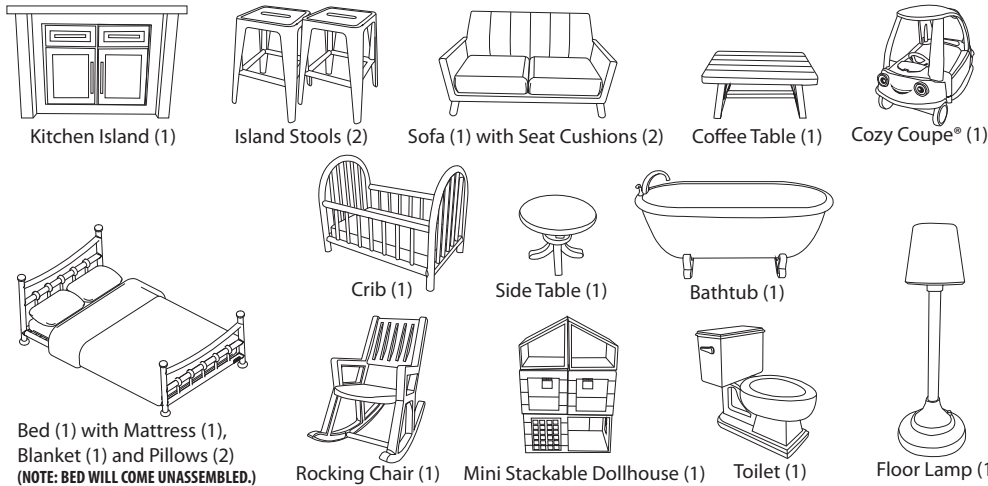
A Few Things Before You Start!

BEFORE you begin assembly, make sure you have all the parts listed below.
 Questions? We're here to help. Little Tikes® Consumer Service: 1-800-321-0183

A 	B 	C 	D 	E 	F
G 	H 	I 	J 	K 	L
M 	N 	O 	P 	Q 	R
S 	T 	U 	V 	W 	X
Y 	Z 	AA 	Hardware		

1 Ø3*12mm X8	2 Ø4*22mm X44	3 Ø4*16mm Painted head screw X16
4 X8	5 X16	6 Ø5*30mm X10

Accessories

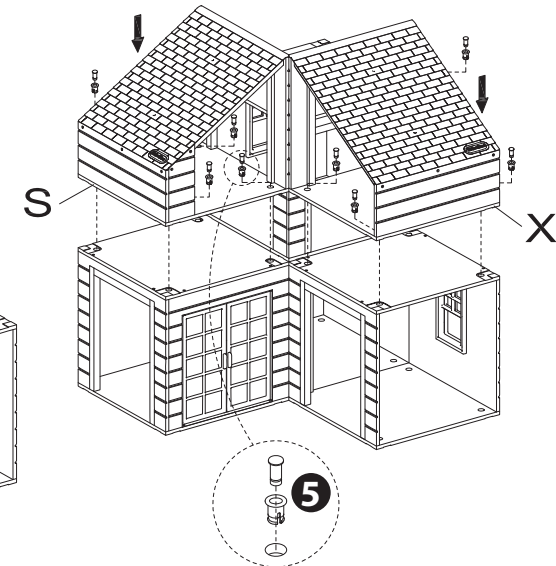
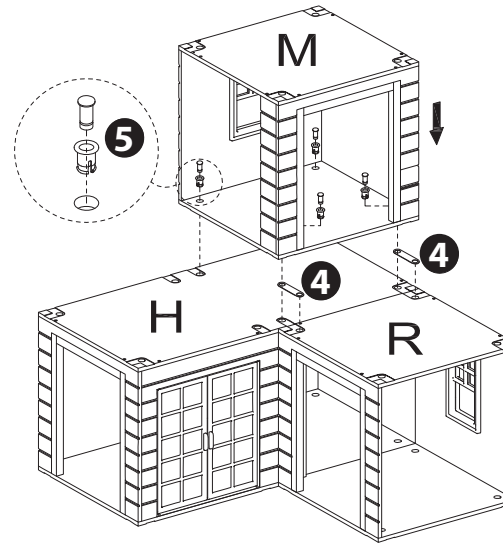
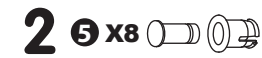
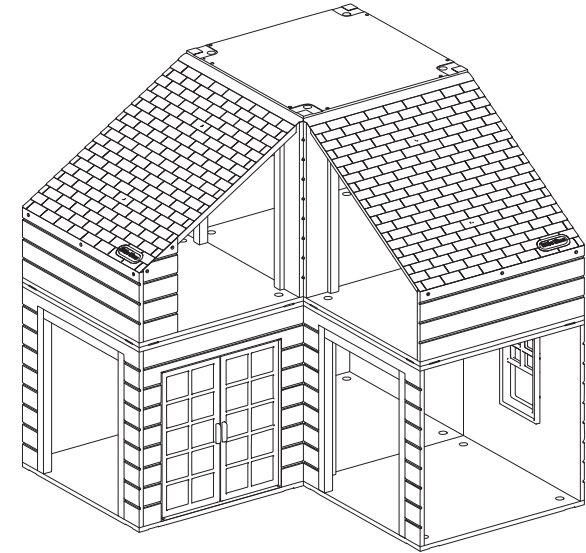


(NOTE: BED WILL COME UNASSEMBLED.)

NOTE: Before playing, remove the pull tabs from the floor lamp and the toilet.

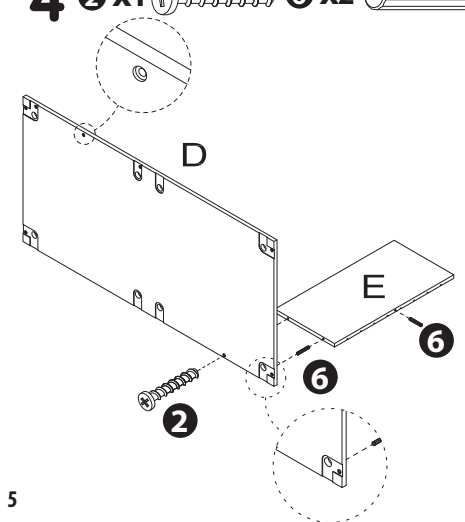
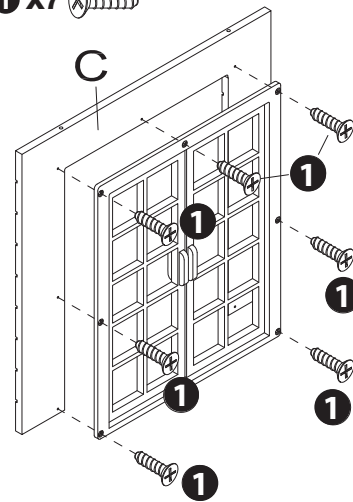
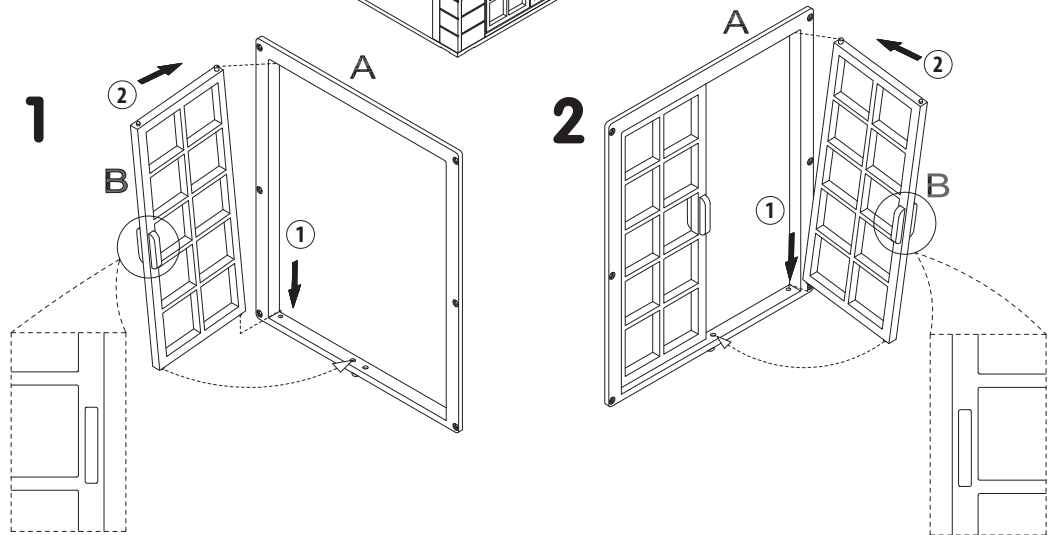
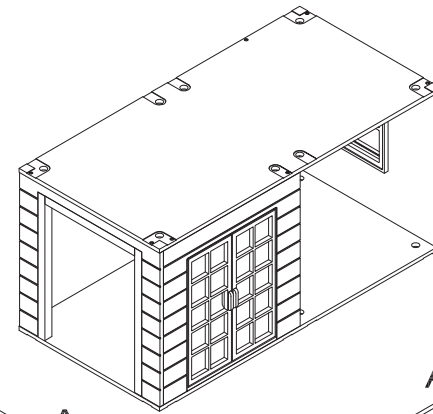
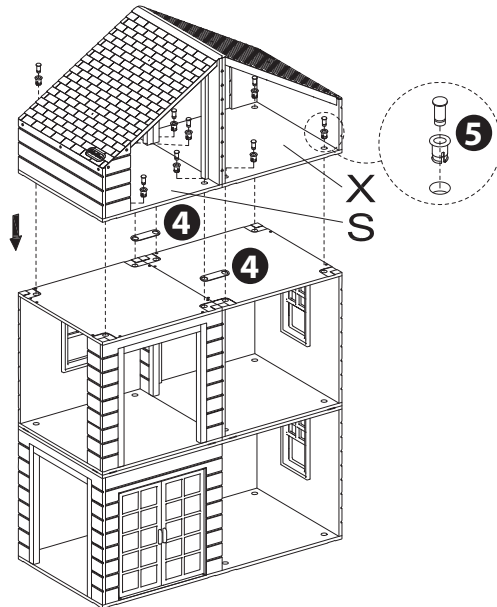
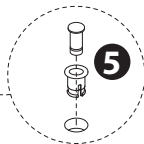
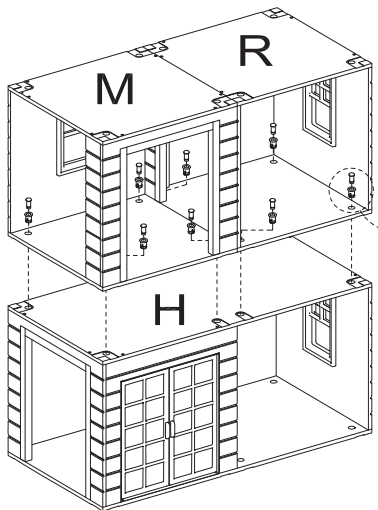
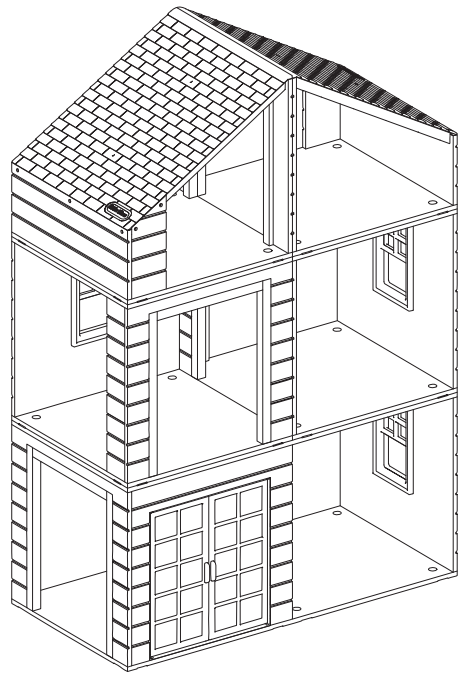
CONFIGURATION 2

ENG

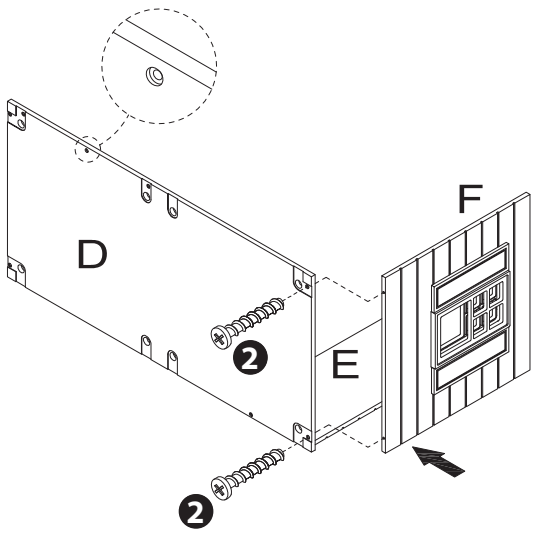


CONFIGURATION 1

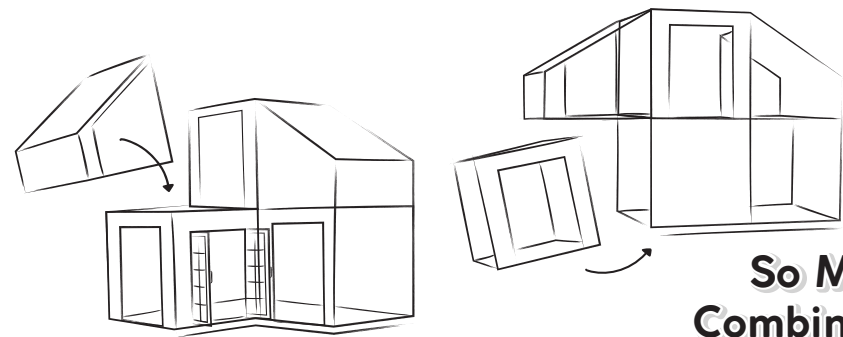
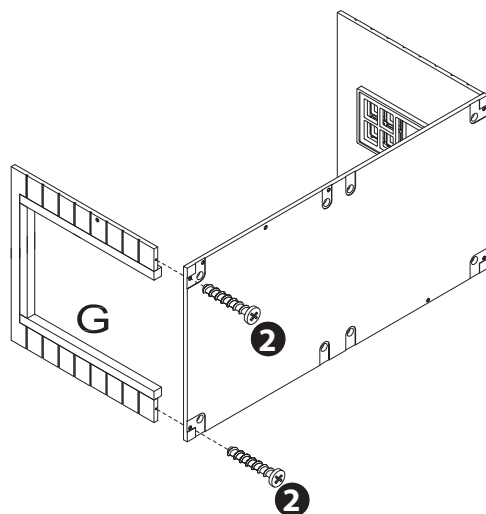
ASSEMBLY



5 2 x2 (+)



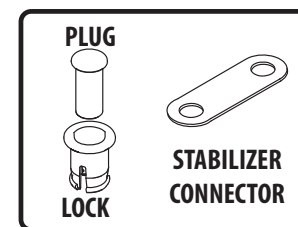
6 2 x2 (+)



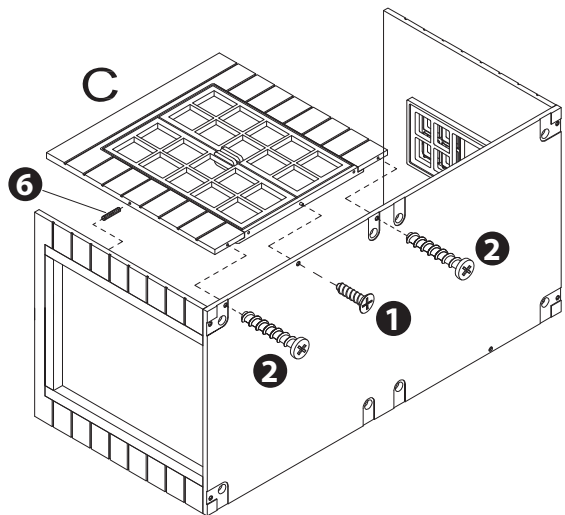
So Many Combinations!

STACKING THE ROOMS

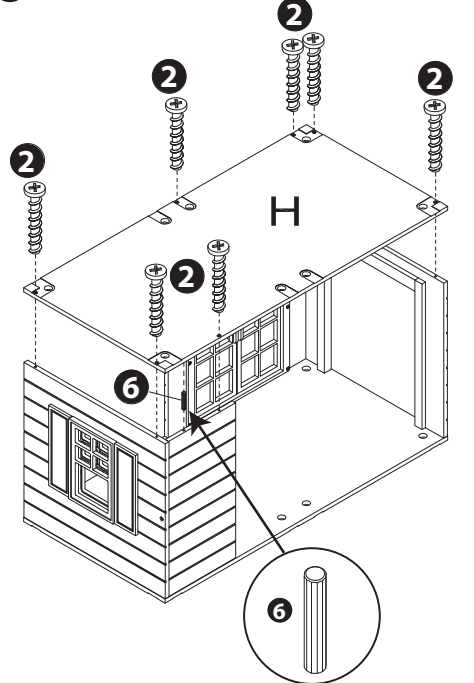
The rooms can be stacked in different ways to create different configurations. To keep the levels and rooms secured, you will need the stabilizer connectors and the plugs with locks. Follow the directions below:



7 1 x1 (X) 2 x2 (+) 6 x1

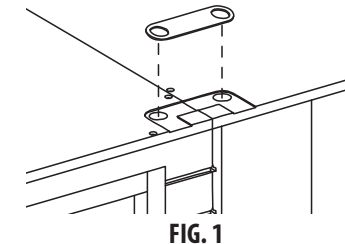


8 2 x7 (+) 6 x1



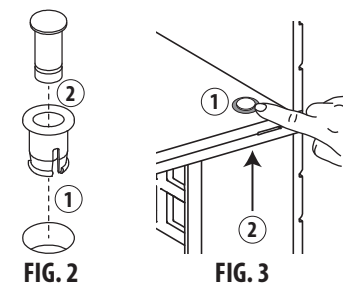
1 Place the Stabilizer Connectors

The stabilizer connectors are needed to keep the rooms stable. Each room has an indent on the ceiling where the stabilizer connector will lay on. Place a connector before stacking a room by inserting it into the indent and making sure the openings align (Fig. 1).

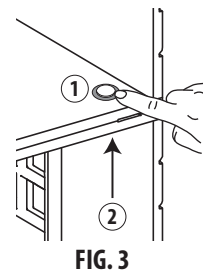


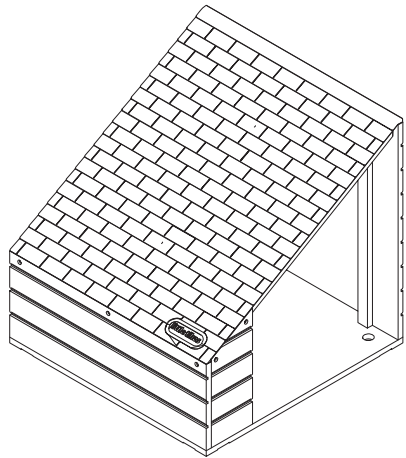
2 Insert the Plugs and Locks

The locks and plugs are needed to keep the levels locked together. Stack a room over another, aligning the openings. Then, lock the levels together by placing the lock into the openings and inserting the plugs into the locks (Fig. 2).

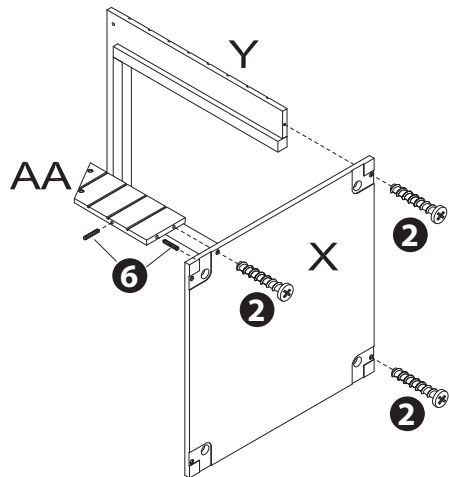


To remove the locks and create a different configuration, hold down the rim of the lock with one hand and use the other hand to push up the plug from the bottom so it pops out (Fig. 3). Then, pull out the lock from the top.

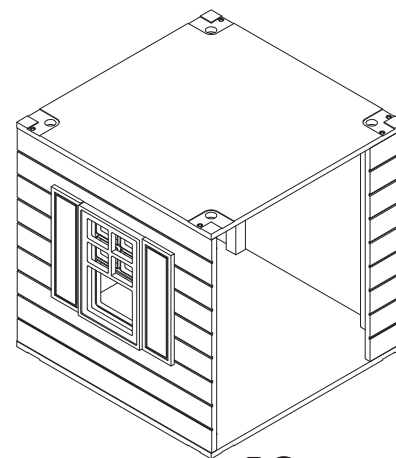
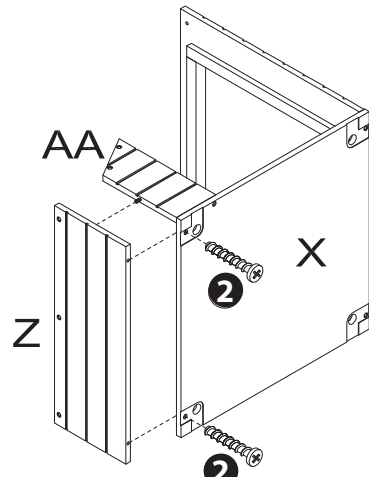




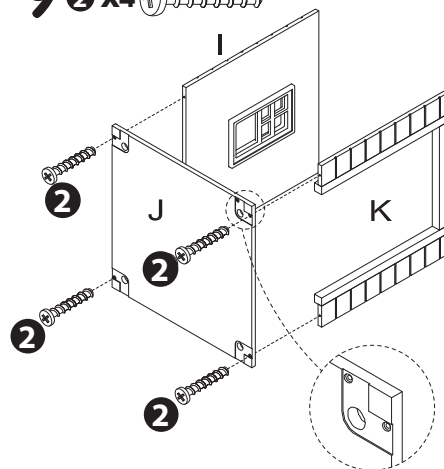
18 2 x3 6 x2



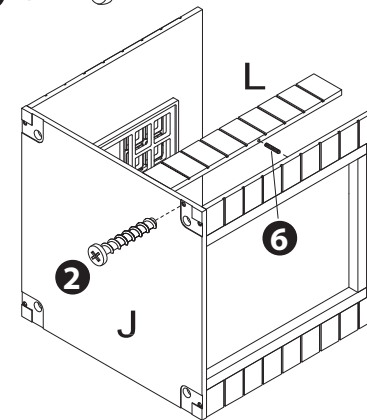
19 2 x2



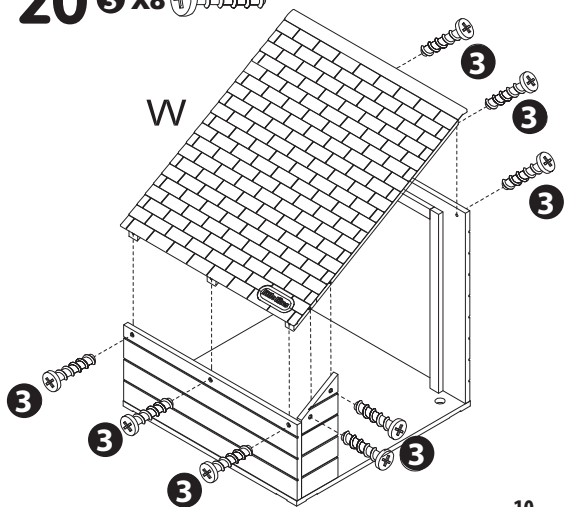
9 2 x4



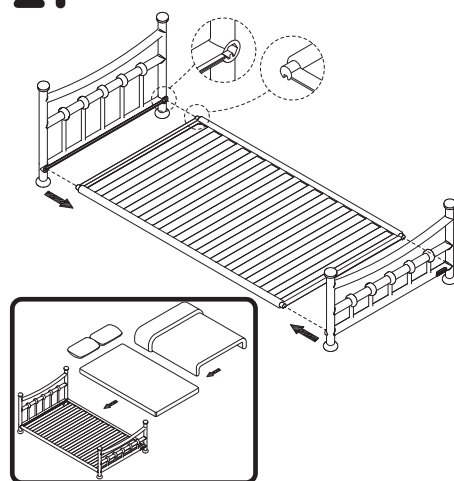
10 2 x1 6 x1



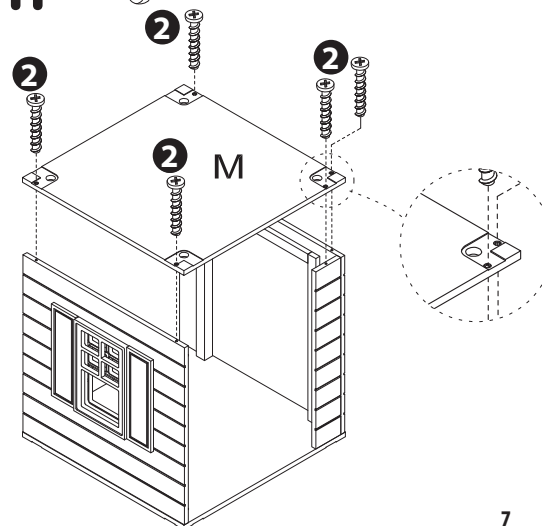
20 3 x8

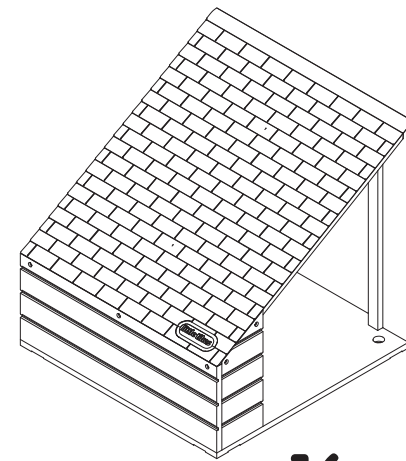
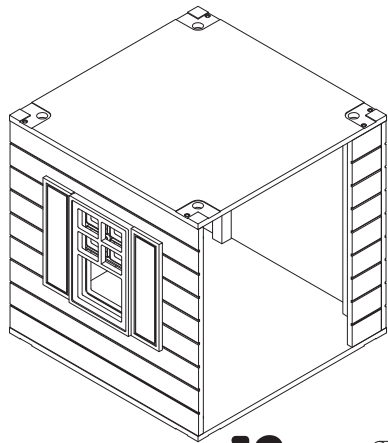


21 BED ASSEMBLY



11 2 x5



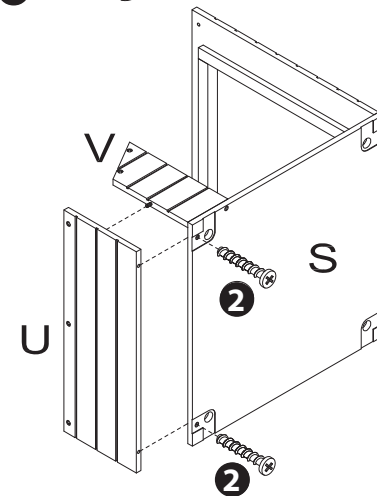
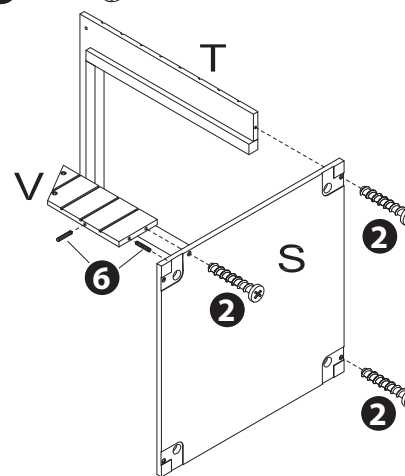
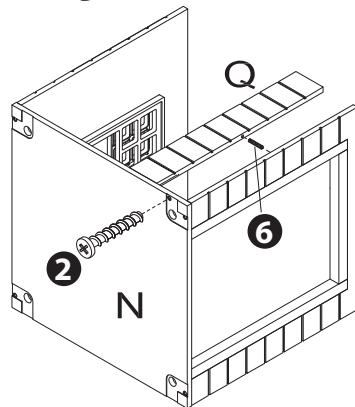
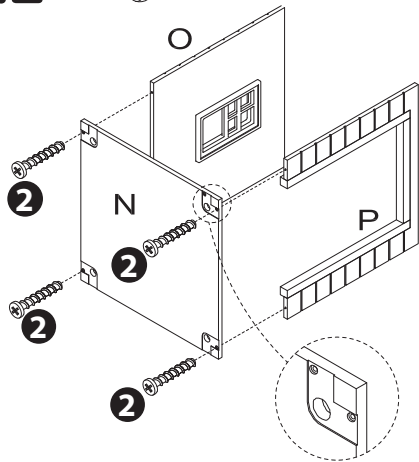


12 \varnothing x4 (+) 

13 \varnothing x1 (+)  6 x1 

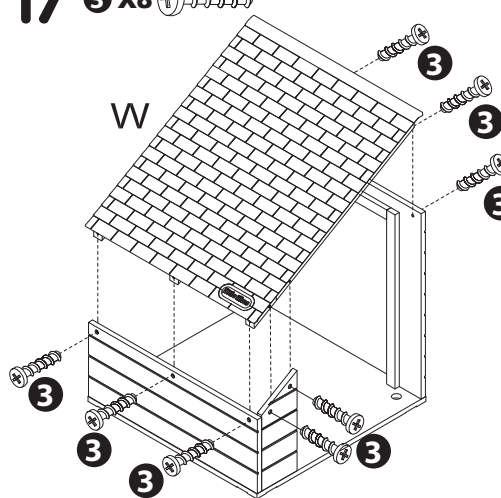
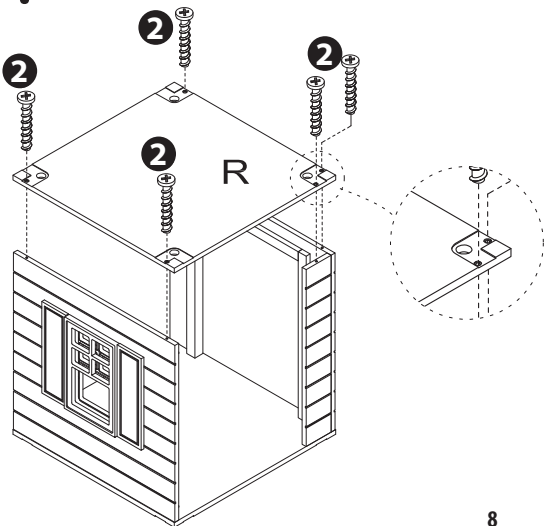
15 \varnothing x3 (+)  6 x2 

16 \varnothing x2 (+) 



14 \varnothing x5 (+) 

17 \varnothing x8 (+) 



MONTAGE MURAL

- Pour plus de sécurité et de stabilité, installez les pièces de fixation pour le montage mural.
- Utilisez toujours des ancrages muraux adaptés à votre type de mur, comme ceux pour plâtre, cloisons sèches, béton, etc.
- Si possible, fixez-la à des montants en bois.
- Consultez un professionnel qualifié pour le montage.

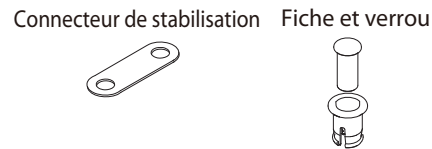
PIÈCES DE FIXATION

- A. Ancre de plastique B. Grosse rondelle
C. Vis D. Ancre de plastique

REQUIS (NON INCLUS)

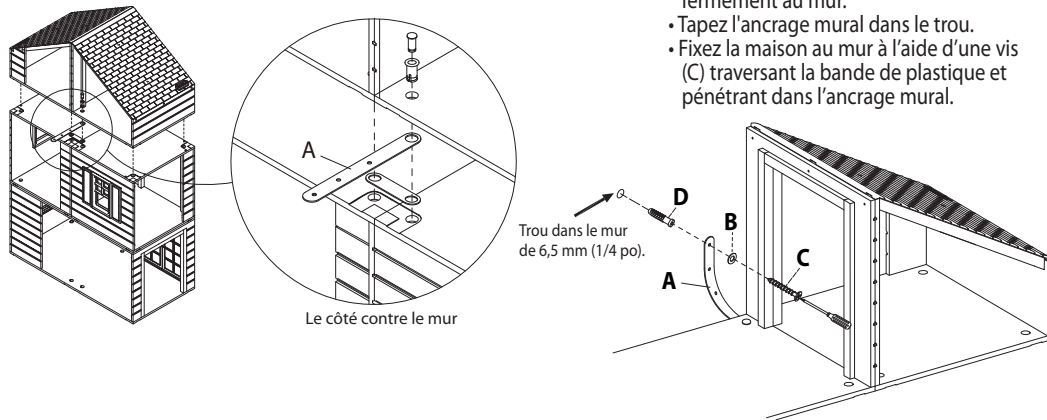


REQUIS (INCLUS)



- 1** Placez un connecteur de stabilisation sur le trou en « L ». Placez la bande de plastique sur le connecteur de stabilisation. Puis, fixez-le en place à l'aide d'un verrou et d'une fiche.

- 2** Utilisez un foret de 6,5 mm (1/4 po) pour percer un trou de guidage dans le mur. **NE** percez PAS un trou trop gros, car l'ancrage mural ne tiendra pas fermement au mur. Tapez l'ancrage mural dans le trou. Fixez la maison au mur à l'aide d'une vis (C) traversant la bande de plastique et pénétrant dans l'ancrage mural.



⚠ ATTENTION !

- NE l'installez PAS sur un mur où des éléments peuvent tomber et blesser un enfant.
- DANGER D'ÉTOUFFEMENT : Les pièces non assemblées peuvent présenter un danger d'étouffement pour les enfants de 3 ans et moins.
- Un adulte doit effectuer l'assemblage. Les pièces de fixation comprennent des petites vis à pointe acérée. Gardez les pièces non assemblées hors de la portée des jeunes enfants.
- Le basculement d'un meuble peut entraîner des blessures graves ou mortelles. Pour éviter que le produit ne bascule :
 - Utilisez des pièces de fixation pour retenir la maison à un mur. Cela réduira, mais n'éliminera PAS, le risque de basculement.
 - NE permettez PAS aux enfants de grimper sur la maison.
 - Gardez les télécommandes, les jouets et les autres articles qui pourraient attirer les enfants loin de ce produit.
 - NE placez PAS d'objets lourds, comme un téléviseur, sur ce produit.

little tikes

STACK n' STYLE™

MAISON EN BOIS POUR POUPEE

SKU : 661419C3

UN ADULTE DOIT EFFECTUER L'ASSEMBLAGE

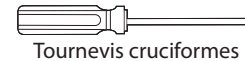
FR

3+ ans

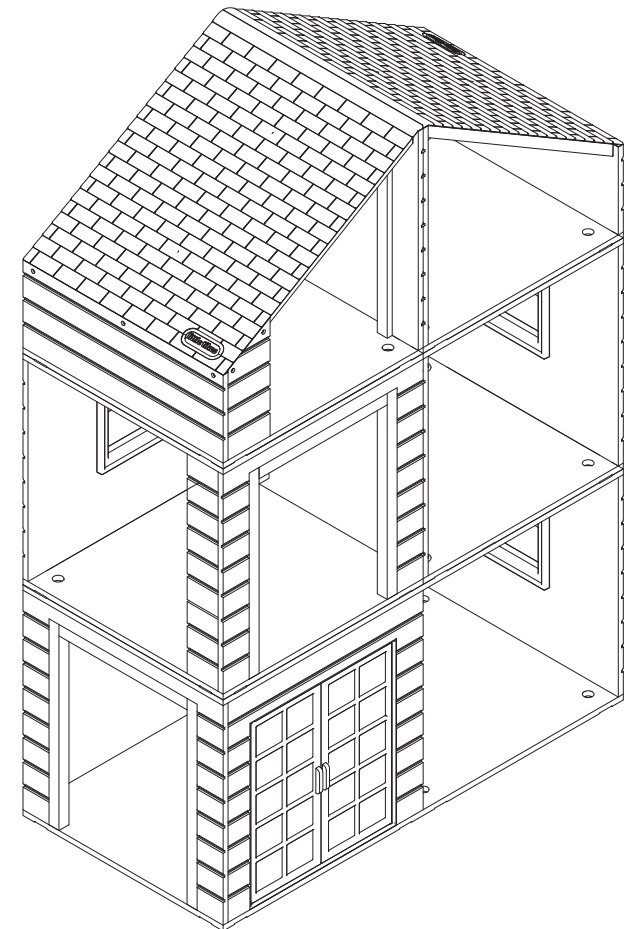
ATTENTION :
DANGER D'ÉTOUFFEMENT - Petits éléments.
Ne convient pas aux enfants de moins de 3 ans.

INSTRUCTIONS D'ASSEMBLAGE

OUTILS REQUIS :
(non inclus)



Balayez pour voir les vidéos
d'assemblage et bien plus :



Merci d'avoir choisi la Maison en bois pour poupée Little Tikes®/MD Stack n' Style™/MC.

Nous nous efforçons de fournir un jouet résistant, facile à assembler et fait pour durer, qui procurera à votre enfant des années de divertissement imaginaire et stimulant !

Informations sur la sécurité des piles. C'est sérieux !

- Gardez ces instructions pour référence future.
- Fonctionne avec 6 piles alcalines « AG13 » (LR44) (incluses). (Vous pouvez utiliser des piles rechargeables).
- La tension d'une pile rechargeable entièrement chargée est souvent plus faible que celle d'une pile alcaline neuve. Il est donc recommandé d'utiliser des piles alcalines au lieu de piles rechargeables pour un rendement et une durabilité supérieurs.
- Insérez les piles en respectant la polarité (+ et -).
- Pour éviter une fuite des piles :
 1. Suivez les instructions d'installation du fabricant du jouet et des piles.
 2. Ne combinez pas des piles usagées avec des piles neuves.
 3. Ne combinez pas des piles alcalines, régulières (sèches) et des piles rechargeables. Ne mélangez pas différentes marques de piles. Utilisez uniquement des piles de type identique ou équivalent à celui recommandé.
 4. Si le jouet ne sera pas utilisé pendant une longue période, retirez les piles pour prévenir toute fuite et tout endommagement possibles du produit.
 5. Retirez les piles usées ou déchargées du produit.
 6. Jetez les piles usagées correctement : ne les enterrez pas. Ne jetez pas les piles au feu, car elles peuvent fuir ou exploser.
- Assurez-vous que le couvercle est correctement posé sur l'appareil en tout temps.
- N'essayez pas de recharger des piles non rechargeables.
- Les piles rechargeables doivent être enlevées du jouet avant de les recharger.
- La charge de piles rechargeables doit être effectuée par un adulte.
- Les bornes d'alimentation ne doivent pas être court-circuitées.

REMARQUE : Si le produit cesse de fonctionner ou ne fonctionne pas correctement, retirez les piles pendant quelques minutes et insérez-les de nouveau. Si le problème persiste, insérez des piles neuves.



ATTENTION :

Ce produit contient une pile bouton. Une pile bouton peut causer des blessures graves ou mortelles en moins de deux heures si elle est avalée ou placée dans une partie du corps. Jetez les piles usagées immédiatement. Gardez les piles neuves et usagées hors de la portée des enfants. Si vous pensez que des piles ont pu être avalées ou placées dans une partie du corps, consultez immédiatement un médecin.

REMARQUES IMPORTANTES SUR LES PILES BOUTONS

- ATTENTION : GARDEZ LES PILES HORS DE LA PORTÉE DES ENFANTS
- L'ingestion peut causer de graves blessures, voire la mort en seulement 2 heures, en raison des brûlures chimiques et de la perforation possible de l'œsophage.
- Si vous soupçonnez que votre enfant a avalé ou inséré une pile bouton, appelez immédiatement un centre antipoison ouvert 24 heures en composant le 13 1126 (Australie)/vos services d'urgence locaux pour obtenir rapidement des conseils d'experts.
- Examinez les appareils et assurez-vous que le compartiment à piles est bien fermé, c.-à-d. que la vis ou une autre fixation mécanique est bien serrée. N'utilisez pas le produit si le compartiment n'est pas bien fermé.
- Jetez les piles boutons usées immédiatement et de manière appropriée. Les piles déchargées peuvent quand même être dangereuses.
- Les adultes doivent informer les utilisateurs potentiels du risque des piles boutons et garder leurs enfants éloignés des piles boutons. Un adulte doit effectuer la surveillance.



« Protégeons l'environnement ! »

Le symbole de poubelle indique que le produit ne doit pas être jeté avec les déchets domestiques. Utilisez les lieux de collecte ou les sites de recyclage désignés pour mettre cet article au rebut. Ne traitez pas les piles usagées comme un déchet domestique. Apportez-les à un site de recyclage désigné.

© The Little Tikes Company, société MGA Entertainment. LITTLE TIKESSM est une marque de commerce de Little Tikes aux É.-U. et dans d'autres pays. Les logos, noms, personnages, ressemblances, images, slogans et modèles d'emballages appartiennent à Little Tikes.

Imprimé en Chine
0522-0-03

SERVICE DE CONSOMMATION

MGA Entertainment (Netherlands) B.V.
www.littletikes.com
Baronie 68-70, 2404 XG Alphen a/d Rijn, The Netherlands
Adresse électronique : sav@mgae.com



GARANTIE LIMITÉE

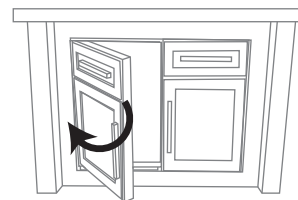
The Little Tikes Company conçoit des jouets amusants et de haute qualité. Nous garantissons à l'acheteur d'origine que ce produit est exempt de défauts de matériaux ou de main-d'œuvre et ce, pendant une période de un an* à partir de la date d'achat (le reçu de caisse daté est requis comme preuve d'achat). Au seul gré de The Little Tikes Company, les seuls recours offerts en vertu de cette garantie seront le remplacement de la pièce défectueuse du produit ou le remplacement du produit. Cette garantie est valide uniquement si le produit a été assemblé et entretenu conformément aux instructions. Cette garantie ne couvre pas l'abus, les accidents, les problèmes cosmétiques, comme la décoloration ou les éraflures, causés par l'usage normale, ni les autres causes ne découlant pas de défauts de matériaux et de fabrication. *La période de garantie est de trois (3) mois pour les garderies ou les acheteurs commerciaux.

États-Unis et Canada : pour obtenir des informations sur le service sous garantie ou les pièces de rechange, consultez notre site Web sur www.littletikes.com, composez le numéro 1-800-321-0183 ou écrivez à : Service à la clientèle, The Little Tikes Company, 2180 Barlow Road, Hudson, OH 44236 U.S.A. Certaines pièces de rechange peuvent être achetées après l'expiration de la garantie. Contactez-nous pour obtenir plus de détails.

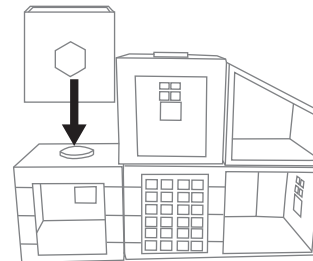
À l'extérieur des États-Unis et du Canada : contactez le lieu d'achat pour les services sous garantie. Cette garantie donne des droits juridiques spécifiques et l'utilisateur peut aussi jouir d'autres droits, lesquels varient d'un pays/État à l'autre. Certains pays/États ne permettent pas l'exclusion ou la restriction des dommages accessoires ou indirects, ainsi la restriction ou l'exclusion mentionnée ci-dessus peut ne pas s'appliquer.

CARACTÉRISTIQUES DES ACCESSOIRES

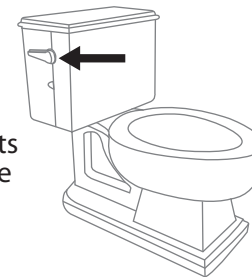
Îlot de cuisine :
Les portes s'ouvrent !



Mini maison empilable pour poupée :
Les sections peuvent être empilées pour correspondre à votre grande maison de poupée !



Toilette :
Appuyez sur le bouton de la poignée pour entendre des bruits réalistes de chasse d'eau !



Lampadaire :
Appuyez sur le bouton de la base pour allumer la lampe. Appuyez à nouveau pour l'éteindre.



REMARQUE : Après 2 minutes, la lumière s'éteindra.

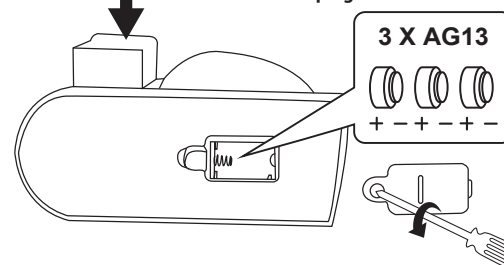
REPLACEMENT DES PILES

Un adulte doit insérer des piles alcalines neuves dans la toilette ou le lampadaire si les piles ont besoin d'être remplacées. Voici comment procéder :

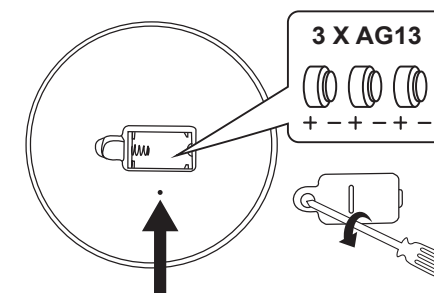
1. À l'aide d'un tournevis cruciforme (non inclus), retirez la vis et le couvercle du compartiment à piles sous la toilette ou le lampadaire.
2. Insérez trois (3) piles alcalines de 1,5 V AG13 (LR44) (non incluses) dans la toilette ou le lampadaire, en respectant la polarité des bornes (+) et (-), tel qu'indiqué dans le compartiment à piles.
3. Remettez le couvercle du compartiment en place et serrez la vis.

TOILETTE

BOUTON DE RÉINITIALISATION :
Sous le bouton de la poignée de la toilette.



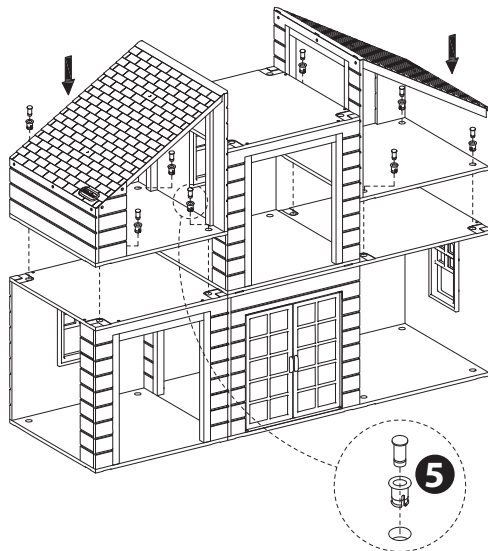
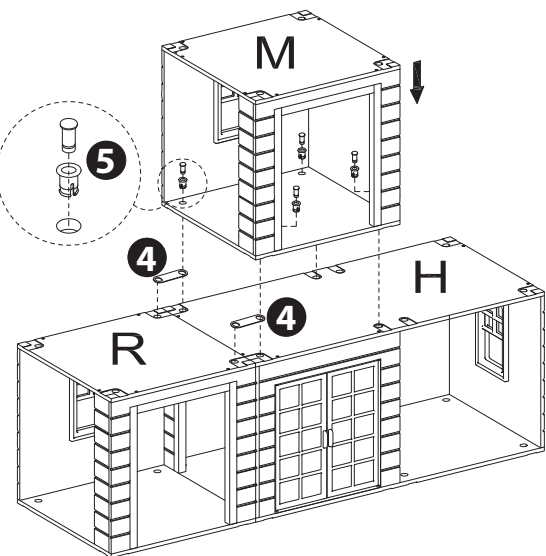
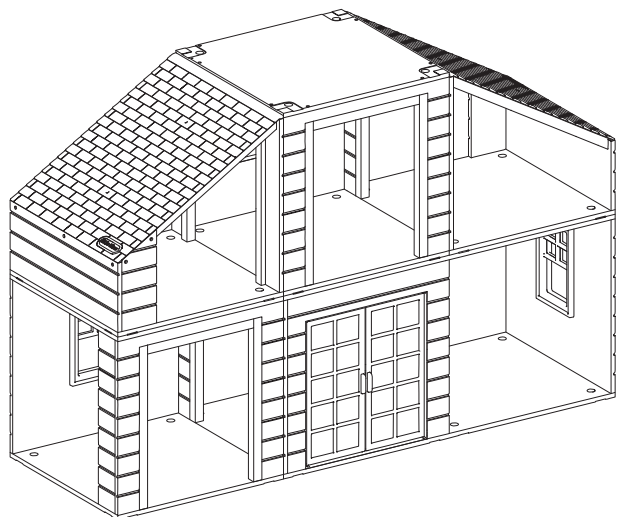
LAMPADAIRE



BOUTON DE RÉINITIALISATION

BOUTONS DE RÉINITIALISATION : La toilette et le lampadaire sont équipés de boutons de réinitialisation. S'ils ne fonctionnent plus, utilisez un objet pointu et acéré pour appuyer sur les boutons de réinitialisation.

CONFIGURATION 3



INFORMATIONS IMPORTANTES À SAVOIR !

- Lisez d'abord les instructions au complet.
- Dégagez une surface plane pour disposer tous les matériaux afin que tout soit à portée de la main.
- Les illustrations servent de référence seulement. Les styles peuvent différer du contenu réel.
- Merci d'enlever l'emballage, y compris les étiquettes, liens et fils cousus, avant de donner ce produit à un enfant.
- Nettoyez le produit avec un linge légèrement humide au besoin.
- **MISE AU REBUT** : Démontez et jetez le produit de manière à ce qu'il n'y ait aucune condition dangereuse, comme, entre autres, des petites pièces et des bords coupants ou pointus, lors de la mise au rebut de l'équipement.
- **Assurez-vous d'avoir tout le contenu avant l'assemblage. S'il vous manque des pièces ou si vous avez des questions, nous sommes là pour vous aider. Appelez notre équipe du service de consommation au 1-800-321-0183.**

Soyons prudents !

⚠ ATTENTION !

- UN ADULTE DOIT EFFECTUER L'ASSEMBLAGE.
- Avant l'assemblage, cet emballage renferme des petites pièces qui peuvent poser un danger d'étouffement. Ces pièces peuvent avoir des bords coupants et des extrémités pointues. Gardez hors de la portée des enfants tant que le produit ne sera pas assemblé.
- Gardez ce manuel, car il renferme des renseignements importants.
- Ce produit est conçu pour une utilisation à l'intérieur uniquement.
- Ce produit est conçu pour des enfants de 3 ans et plus.
- Placez le produit sur une surface plane et de niveau, exempte d'objets qui pourraient le faire basculer. Placez-le également hors des zones passantes.
- Ne l'utilisez jamais près d'un escalier, de marches, piscines, surfaces chaudes ou de zones pouvant être dangereuses pour un enfant.
- N'utilisez pas le produit s'il est endommagé ou cassé.
- Suivez toutes les instructions fournies afin d'éviter les dangers potentiels qui pourraient résulter d'un assemblage incorrect.
- Ne permettez pas aux enfants de s'asseoir, de marcher, de jouer ou de grimper sur la surface supérieure. Le non-respect de cette consigne peut rendre le produit instable.
- **Il n'est pas recommandé d'empiler plus de trois étages. Si vous empilez des pièces avec un toit, assurez-vous de les empiler uniquement sur le dessus.**

CONFORMITÉ À LA FCC

REMARQUE : Cet appareil a été testé et est jugé conforme aux limites des appareils numériques de classe B, conformément à la partie 15 des règles de la FCC. Ces limites sont conçues pour fournir une protection raisonnable contre le brouillage préjudiciable dans une installation résidentielle. Cet appareil produit, utilise et peut émettre une énergie de radiofréquence et, s'il n'est pas installé et utilisé conformément aux directives, peut causer un brouillage préjudiciable aux radiocommunications. Toutefois, il n'y a aucune garantie que le brouillage ne surviendra pas dans une installation particulière. Si cet appareil cause un brouillage préjudiciable à la réception de la radio ou de la télévision ; ce qui peut être déterminé en éteignant l'appareil et en le rallumant, l'utilisateur devra essayer de corriger le brouillage par l'une ou l'autre des mesures suivantes :

- Réorienter ou resituer l'antenne de réception.
- Accroître la distance entre le matériel et le récepteur.
- Brancher l'appareil dans une prise sur un circuit autre que celui auquel le récepteur est branché.
- Consulter le détaillant ou un technicien de radio/télévision expérimenté pour obtenir de l'aide.

Cet appareil est conforme à la partie 15 des règles de la FCC. Le fonctionnement est sujet aux deux conditions suivantes : (1) cet appareil ne doit pas causer de brouillage préjudiciable et (2) cet appareil doit accepter tout brouillage reçu, incluant les brouillages qui peuvent causer un mauvais fonctionnement.

Attention : les modifications non autorisées par le fabricant peuvent annuler le droit de l'utilisateur à faire fonctionner cet appareil.

CAN ICES-3 (B)/NMB-3(B).

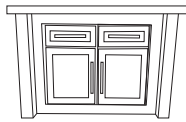
Quelques petites choses avant de commencer !

AVANT de commencer l'assemblage, assurez-vous que vous disposez de toutes les pièces énumérées ci-dessous.
 Questions ? Nous sommes là pour vous aider. Service de consommation Little Tikes®/MD : 1-800-321-0183

A 	B 	C 	D 	E 	F
G 	H 	I 	J 	K 	L
M 	N 	O 	P 	Q 	R
S 	T 	U 	V 	W 	X
Y 	Z 	AA 	Pièces de fixation		

1 Ø3*12mm X8	2 Ø4*22mm X44	3 Ø4*16mm Vis à tête peinte X16
4 X8	5 X16	6 Ø5*30mm X10

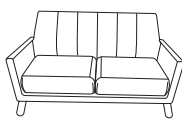
Accessoires



Îlot de cuisine (1)



Tabourets d'îlot (2)



Sofa (1) avec coussins (2)

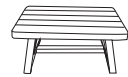
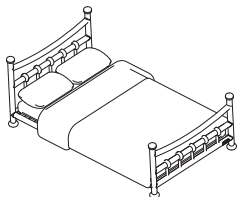


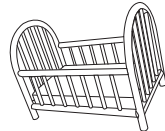
Table basse (1)



Cozy Coupe®/MD (1)



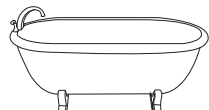
Lit (1) avec matelas (1),
Couverture (1) et oreillers (2)
(REMARQUE : LE LIT SERA NON ASSEMBLÉ).



Lit d'enfant (1)



Table d'appoint (1)



Baignoire (1)



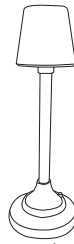
Chaise à bascule (1)



Mini maison empilable
pour poupée (1)



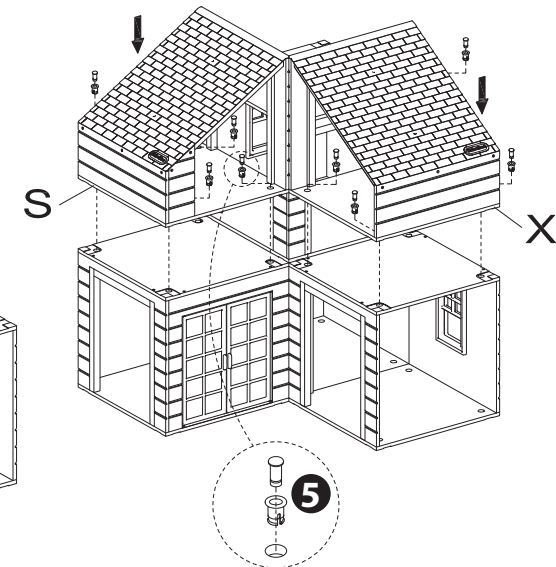
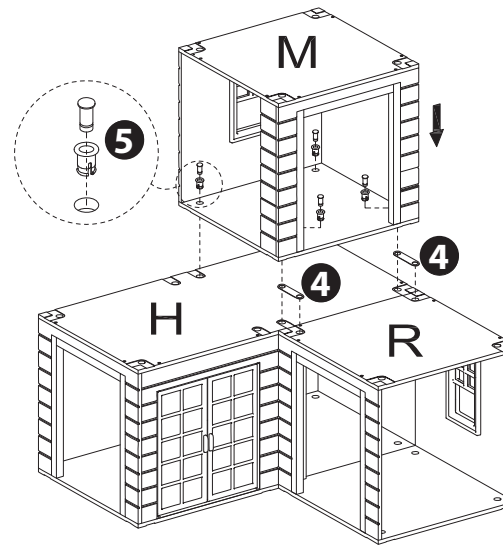
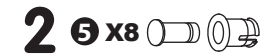
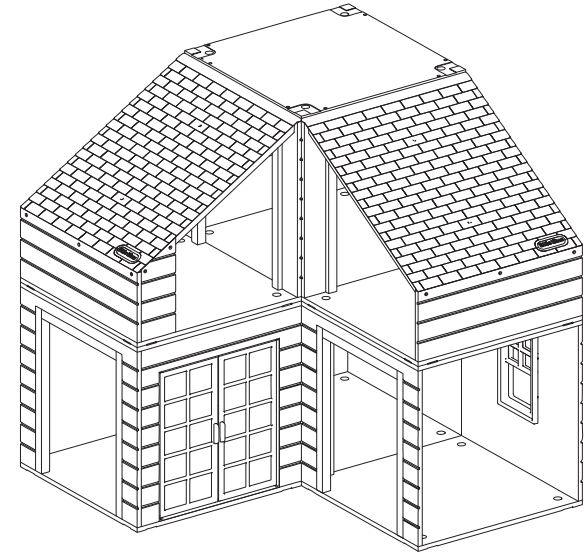
Toilette (1)



Lampadaire (1)

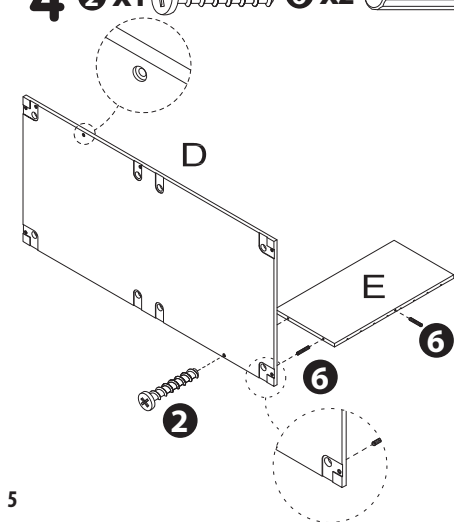
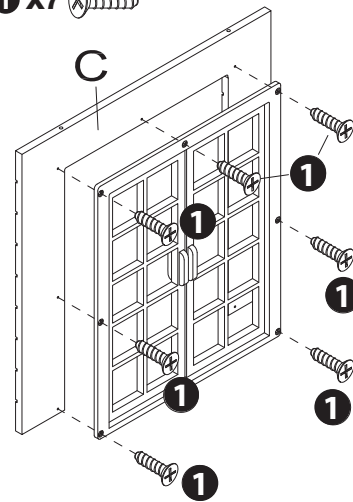
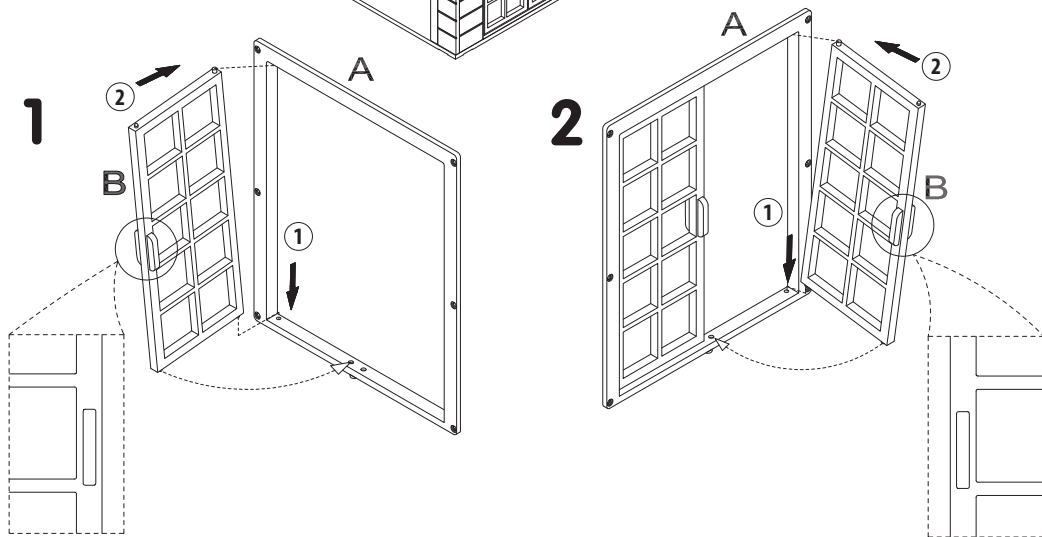
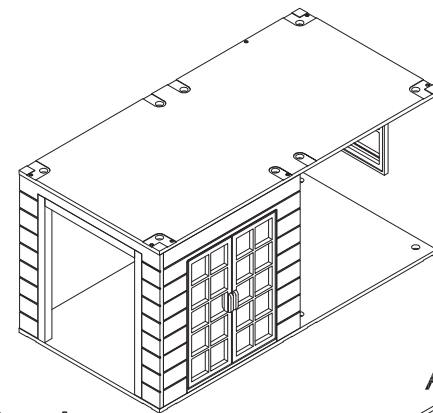
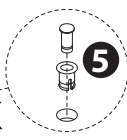
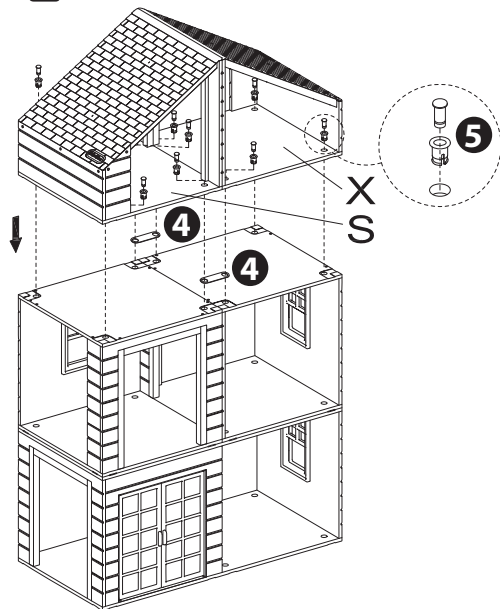
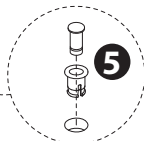
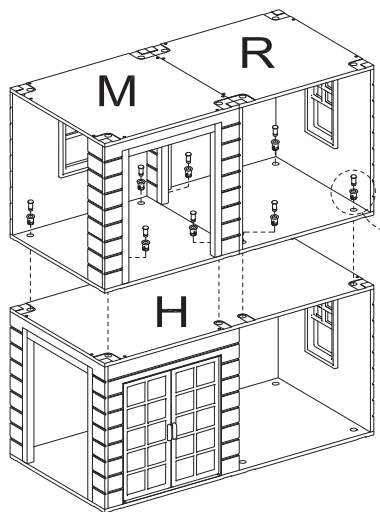
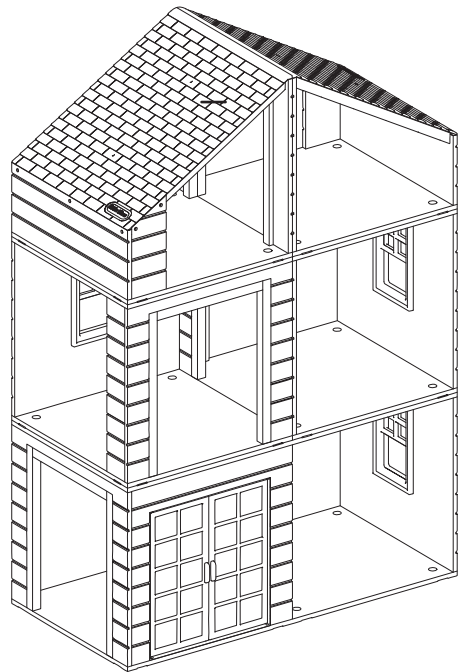
REMARQUE : Avant de jouer, retirez les languettes du lampadaire et de la toilette.

CONFIGURATION 2

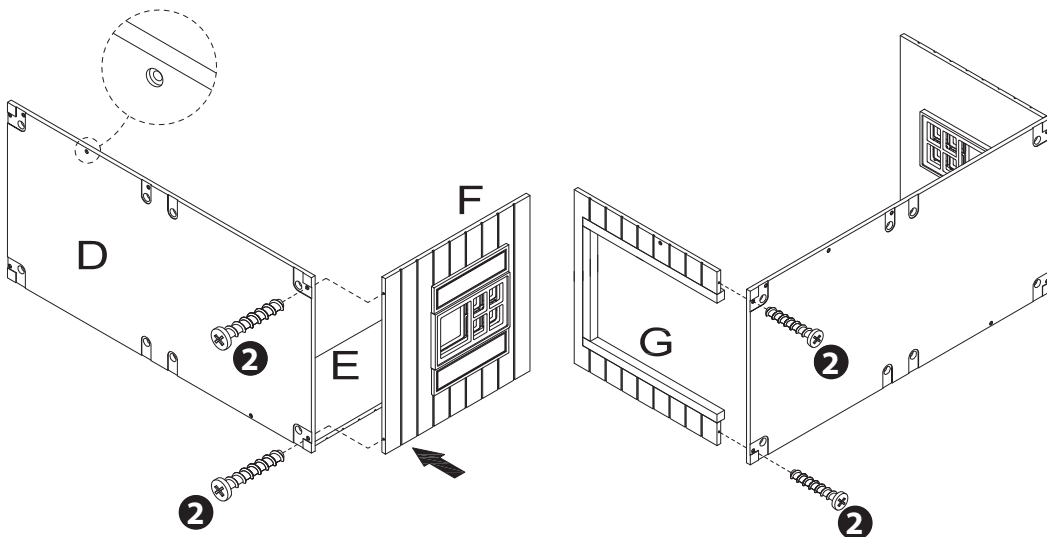


CONFIGURATION 1

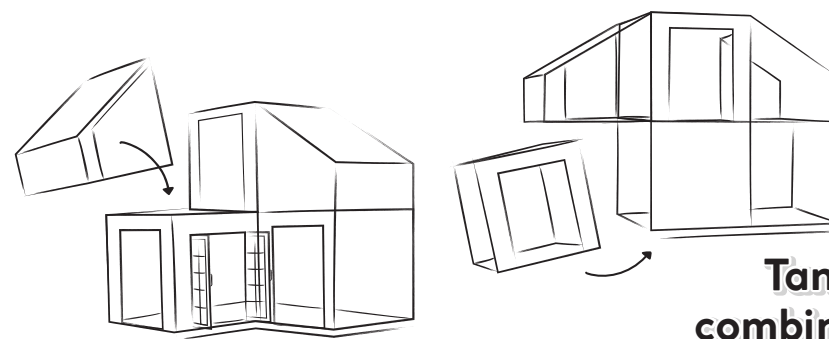
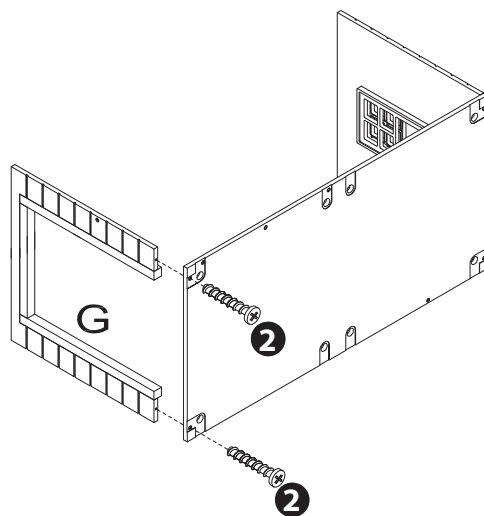
ASSEMBLAGE



5 ② x2 (+) (screw)



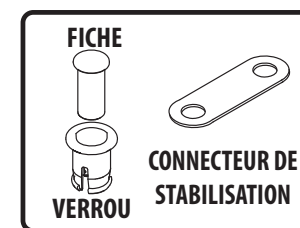
6 ② x2 (+) (screw)



Tant de combinaisons !

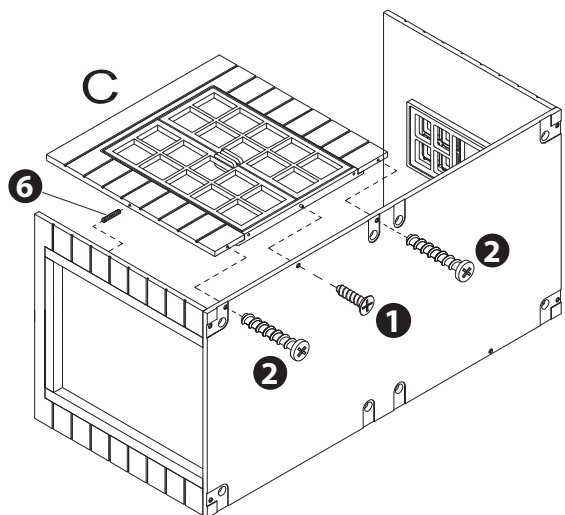
EMPILAGE DES PIÈCES

Les pièces peuvent être empilées de différentes manières pour créer différentes configurations. Pour bien fixer les étages et les pièces, vous aurez besoin des connecteurs de stabilisation et des fiches avec verrous. Suivez les instructions ci-dessous :

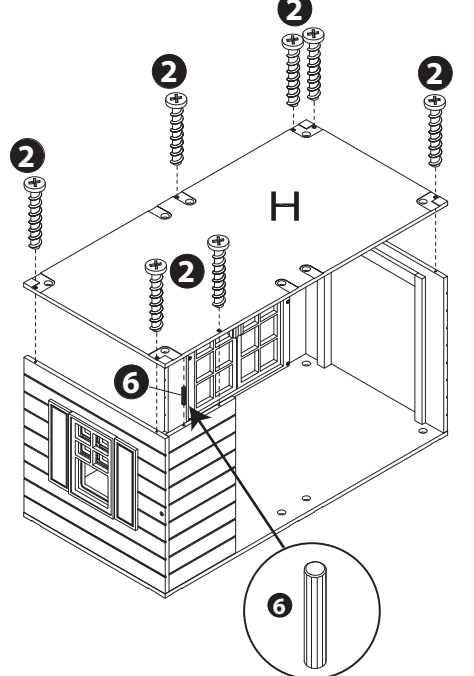


7 ① x1 (screw) ② x2 (+) (screw)

⑥ x1 (rod)



8 ② x7 (+) (screw) ⑥ x1 (rod)



1 Placez les connecteurs de stabilisation

Les connecteurs de stabilisation sont nécessaires pour maintenir la stabilité des pièces. Chaque pièce présente un renforcement au plafond sur lequel le connecteur de stabilisation sera posé. Placez un connecteur avant d'empiler une pièce en l'insérant dans l'encoche et en vous assurant que les ouvertures sont alignées. (Fig. 1).

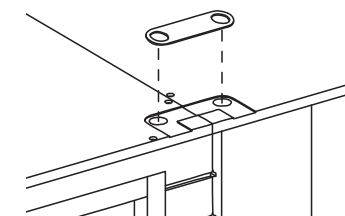


FIG. 1

2 Insérez les fiches et les verrous

Les verrous et les fiches sont requis pour maintenir les étages verrouillés ensemble. Empilez une pièce sur une autre en alignant les ouvertures. Ensuite, verrouillez les étages ensemble en plaçant le verrou dans les ouvertures et en insérant les fiches dans les verrous. (Fig. 2).

Pour retirer les verrous et créer une configuration différente, maintenez le bord du verrou d'une main et utilisez l'autre main pour pousser la fiche du bas vers le haut pour qu'elle sorte. (Fig. 3). Puis, retirez le verrou par le haut.

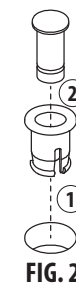


FIG. 2

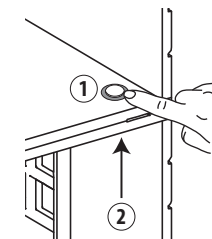
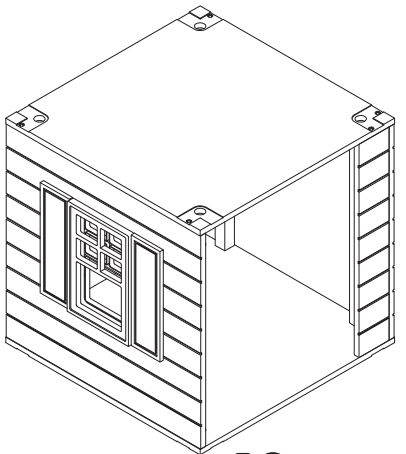
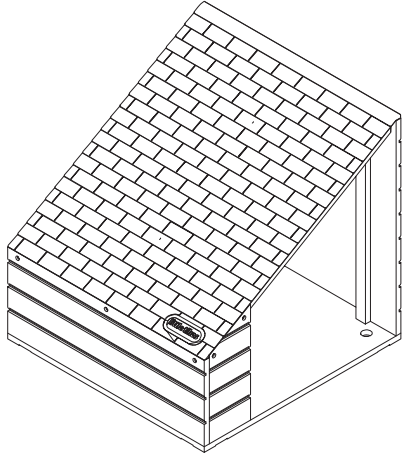


FIG. 3

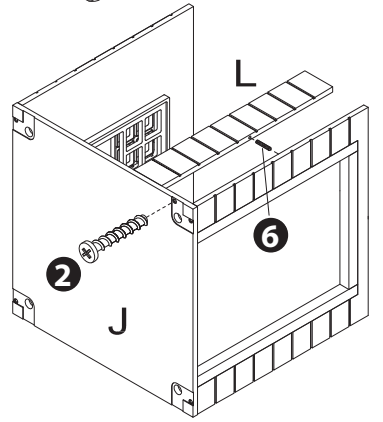
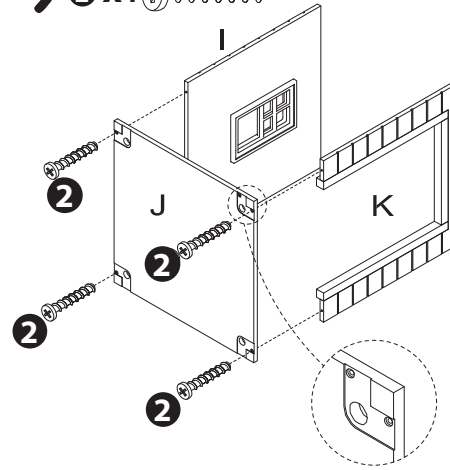
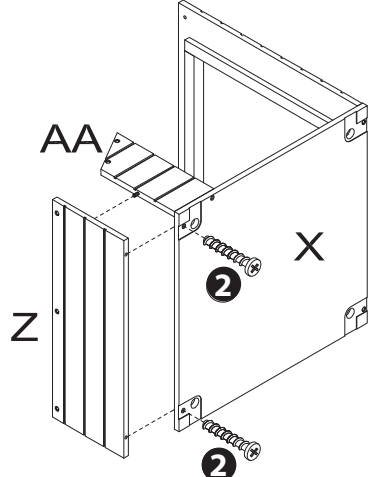
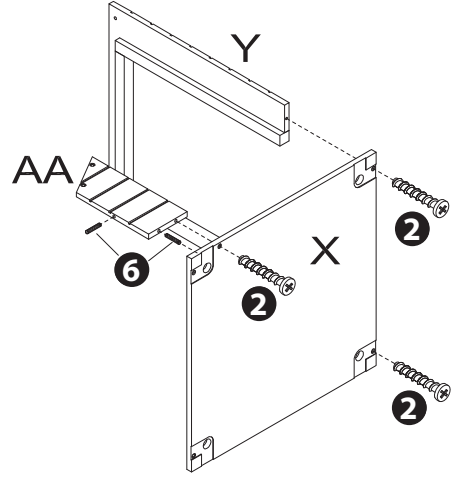


18 2 x3 (+) 6 x2

19 2 x2 (+)

9 2 x4 (+)

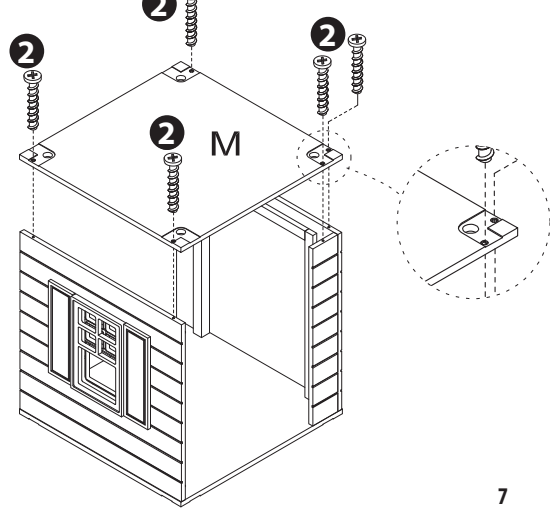
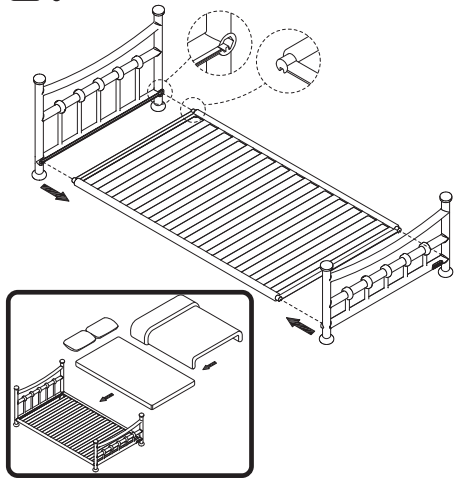
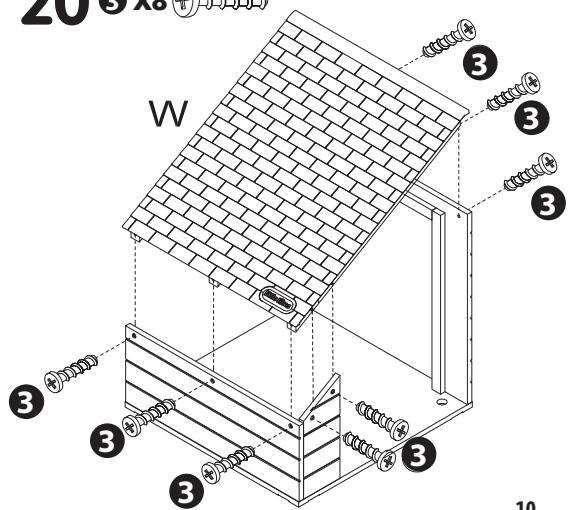
10 2 x1 (+) 6 x1

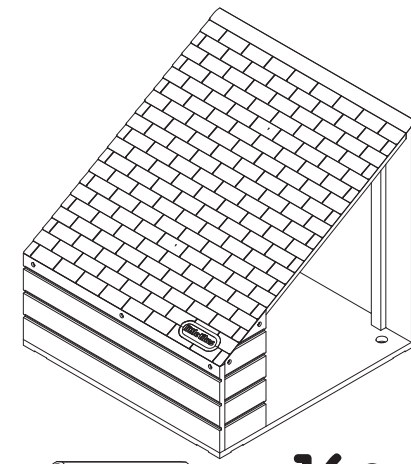
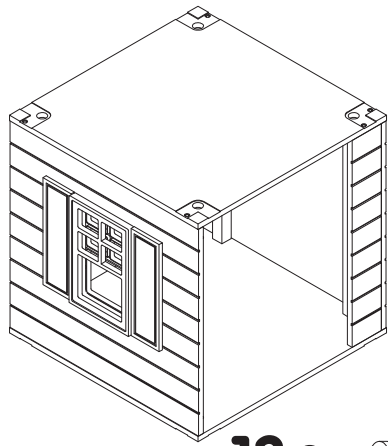


20 3 x8 (+)

21 ASSEMBLAGE DU LIT

11 2 x5 (+)



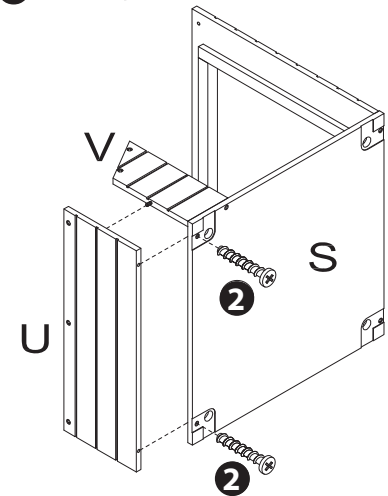
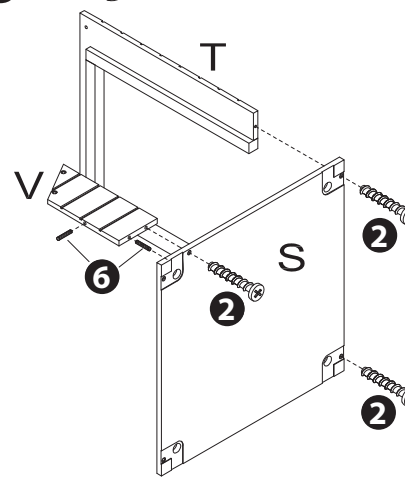
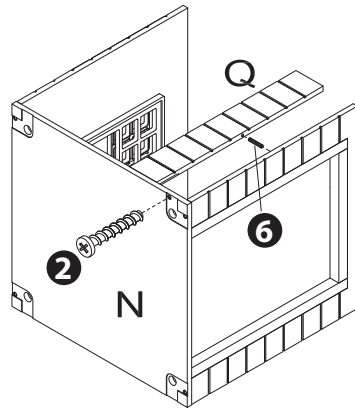
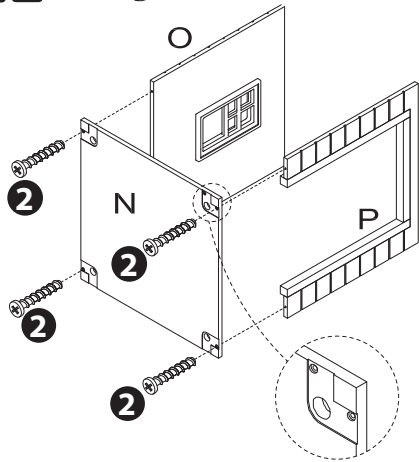


12 \varnothing x4 (+)

13 \varnothing x1 (+) 6 x1

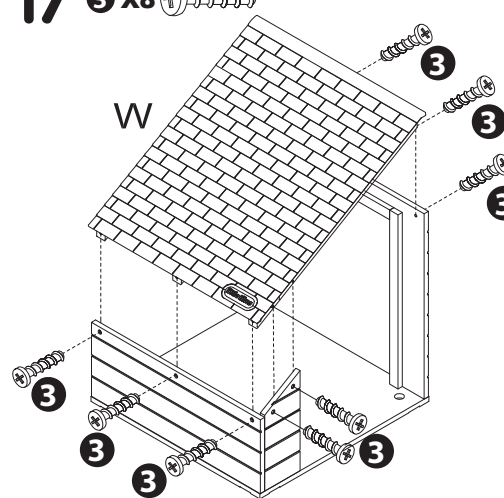
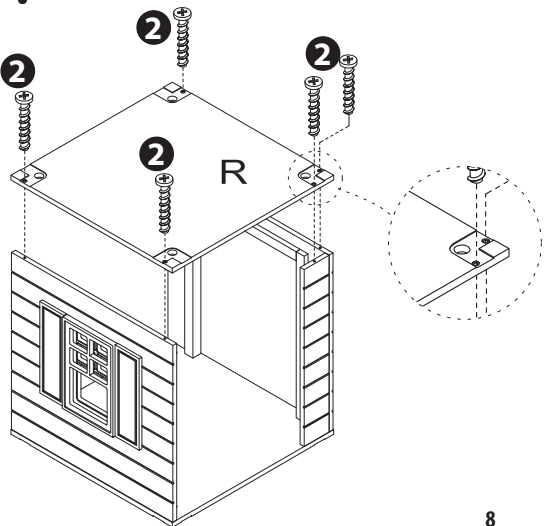
15 \varnothing x3 (+) 6 x2

16 \varnothing x2 (+)



14 \varnothing x5 (+)

17 \varnothing x8 (+)



MONTAJE EN PARED

- Para más seguridad y estabilidad, instale los herrajes para montajes en pared.
- Use siempre los anclajes de pared apropiados para su tipo de pared, como yeso, paneles de yeso seco, cemento, etc.
- De ser posible, fijar con montantes de madera.
- Para el montaje, consulte a un profesional calificado.

HERRAJES

A. Anclaje plástico



B. Arandela grande



C. Tornillo



D. Anclaje plástico



SE NECESITA (NO INCLUIDOS)



Taladro eléctrico



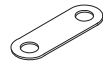
Broca de 6.5 mm (1/4")



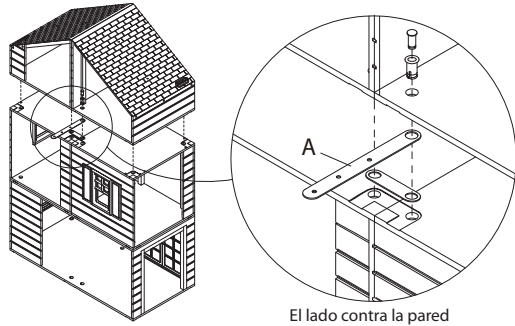
Destornillador cruciforme (Phillips)

SE NECESITA (INCLUIDOS)

Conector estabilizador Tapón y traba

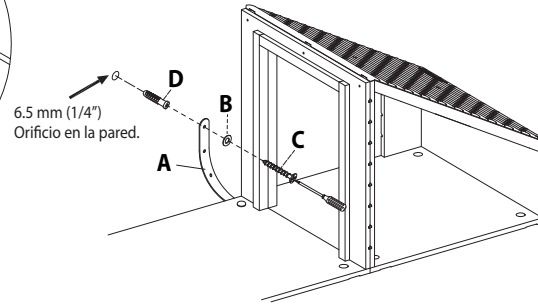


- 1 Coloque un conector estabilizador en el orificio en forma de "L". Coloque la banda de plástico sobre el conector estabilizador. Luego, fijar con una traba y un tapón.



El lado contra la pared

- 2 Use una broca de 6.5 mm (1/4") para hacer un orificio guía en la pared. **NO** haga un orificio demasiado grande ya que el anclaje de pared no se mantendrá con firmeza en la pared. Golpetee el anclaje de pared en el orificio. Fije la casa a la pared con un tornillo (C) a través de la banda de plástico y penetrando el anclaje de pared.



6.5 mm (1/4")
Orificio en la pared.



STACK n' STYLE

CASA EN MADERA PARA MUÑECAS

SKU: 661419C3

REQUIERE SER ARMADO POR UN ADULTO

ES

3+ años

ADVERTENCIA:
PELIGRO DE ATRAGANTAMIENTO - Piezas pequeñas.
No conviene para niños menores de 3 años.

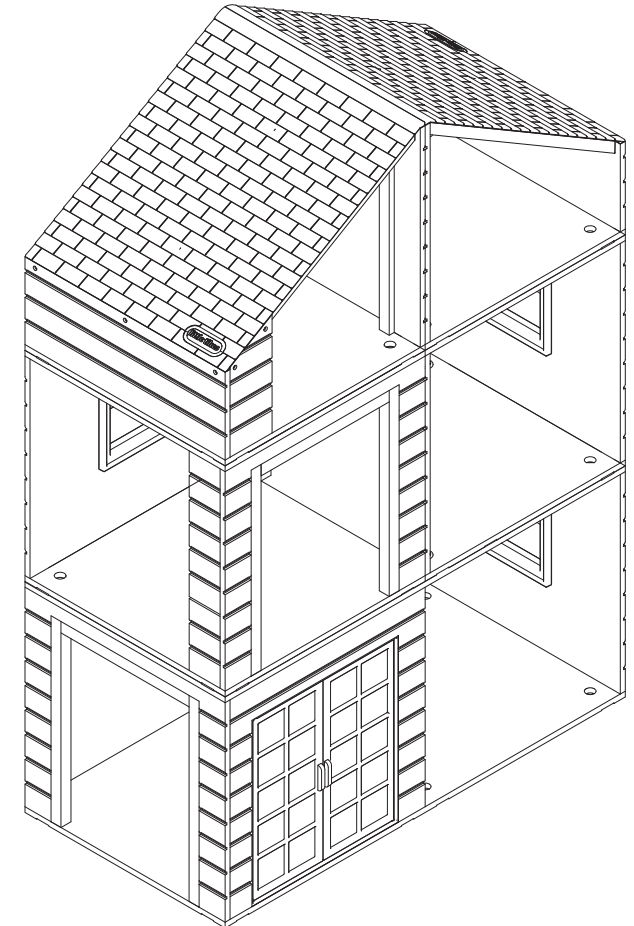
INSTRUCCIONES DE ARMADO

HERRAMIENTAS NECESARIAS:
(no incluidas)

Destornilladores cruciformes (Phillips)



Escanee para ver los videos de armado y más:



Gracias por haber elegido la Casa en Madera para muñecas Little Tikes® Stack n' Style™
¡Procuramos ofrecer un juguete duradero y fácil de armar hecho para durar y brindarle a sus niños años de entretenimiento imaginativo!

⚠ ¡ADVERTENCIA!

- NO instale en una pared donde los artículos puedan caerse y lesionar a los niños.
- PELIGRO DE ATRAGANTAMIENTO: Las piezas sin ensamblar pueden presentar un peligro de atragantamiento para niños menores de 3 años.
- Requiere ser armado por un adulto. Los herrajes contienen tornillos pequeños con puntas afiladas. Mantenga las piezas sin armar lejos del alcance de los niños pequeños.
- Si los muebles se voltean pueden causar lesiones graves o fatales. Para evitar que el producto se voltee:
 - Use herrajes de montaje para fijar la casa a la pared. Esto reducirá, pero NO eliminará el riesgo de que se voltee.
 - NO permita que los niños trepen a la casa.
 - Mantenga los controles remotos, juguetes, y otros artículos que puedan atraer a los niños lejos de este producto.
 - NO coloque artículos pesados como televisores, sobre este producto.

Información sobre la seguridad de las pilas. ¡Esto es serio!

- Conserve estas instrucciones para futura referencia.
 - Requiere 6 pilas alcalinas "AG13" (LR44) (incluidas). (Las pilas recargables pueden sustituirse).
 - El voltaje de una pila recargable completamente cargada suele ser menor que el de una pila alcalina nueva. Por lo tanto, se recomienda usar pilas alcalinas en lugar de pilas recargables para un mejor rendimiento y mayor tiempo de juego.
 - Coloque las pilas con la polaridad correcta (+ y -).
 - Para evitar pérdidas en las pilas:
 1. Siga las instrucciones del fabricante sobre la instalación del juguete y de las pilas.
 2. No mezcle pilas nuevas y usadas.
 3. No mezcle pilas estándar (carbono-zinc), alcalinas o recargables. No mezcle diferentes marcas de pilas. Solo deben usarse pilas del mismo tipo (o similar), tal como se recomienda.
 4. Cuando el juguete no se use por un periodo de tiempo prolongado, quite las pilas para evitar posibles pérdidas y daños en la unidad.
 5. Quite las pilas gastadas del producto.
 6. Elimine correctamente las pilas usadas; no las entierre. No elimine las pilas en el fuego ya que pueden tener pérdidas o explotar.
 - Asegúrese de que la tapa está colocada correctamente en todo momento.
 - No intente recargar pilas que no son recargables.
 - Las pilas recargables deben quitarse del juguete antes de cargarse.
 - La carga de las pilas recargables de ser realizada por un adulto.
 - Los terminales de suministro no deben cortocircuitarse.
- NOTA:** Si la unidad deja de funcionar o no funciona como corresponde, quite las pilas durante unos minutos y vuelva a colocarlas. Si el problema continúa, coloque pilas nuevas.



ADVERTENCIA:

Este producto contiene una pila de botón. Una pila de botón puede causar lesiones graves o fatales en menos de dos horas si se traga o se coloca dentro de alguna parte del cuerpo. Elimine inmediatamente las pilas usadas. Mantenga las pilas nuevas y usadas lejos del alcance de los niños. Si piensa que las pilas se pudieron haber tragado o colocado dentro de alguna parte del cuerpo, solicite atención médica de inmediato.

NOTAS IMPORTANTES ACERCA DE LAS PILAS DE BOTONES

- ADVERTENCIA- MANTENGA LAS PILAS LEJOS DEL ALCANCE DE LOS NIÑOS
- Tragar las pilas puede causar lesiones graves o la muerte en tan solo 2 horas, debido a quemaduras químicas y la potencial perforación del esófago.
- Si sospecha que su niño ha tragado o se ha insertado una pila de botón llame de inmediato al Centro de Control de Envenenamiento de atención las 24 hs al 13 1126 (Australia)/al servicio de emergencias local para obtener consejos de manera rápida y experta.
- Examine los dispositivos y asegúrese de que el compartimento para pilas esté cerrado correctamente, por ejemplo, que el tornillo u otro mecanismo de cierre esté ajustado. No use el producto si el compartimento no está bien cerrado.
- Deseche las pilas de botón usadas de forma inmediata y segura. Las pilas descargadas aún pueden resultar peligrosas.
- Los adultos deben informar a los potenciales usuarios acerca de los riesgos de las pilas de botón y deben mantener a los niños lejos del alcance de las pilas de botón. Se requiere la supervisión de un adulto.



¡Cuidemos el medioambiente!

El símbolo del contenedor de basura tachado indica que este producto no debe desecharse con el resto de la basura doméstica. A la hora de desechar el artículo, utiliza los puntos de recogida o centros de reciclaje designados. No deseches las baterías usadas en el cubo de la basura. Llévalas a algún centro de reciclaje.

© The Tikes Little Company, una compañía de MGA Entertainment. LITTLE TIKES® es una marca registrada de Little Tikes en EE. UU. y otros países. Todos los logotipos, nombres, personajes, representaciones, imágenes, eslóganes y apariencia del embalaje son propiedad de Little Tikes.

Impreso en China
0522-0-C3

SERVICIO AL CONSUMIDOR

MGA Entertainment (Netherlands) B.V.

www.littletikes.com

Baronie 68-70, 2404 XG Alphen a/d Rijn, The Netherlands

Email: servicioalconsumidor@mgae.com



GARANTÍA LIMITADA

The Little Tikes Company fabrica juguetes divertidos de gran calidad. Garantizamos al comprador original que este producto está libre de defectos de material o mano de obra durante un año* a partir de la fecha de compra (se requiere un recibo fechado como prueba de compra). A discreción exclusiva de The Little Tikes Company, los únicos remedios disponibles bajo esta garantía son la sustitución de la pieza defectuosa o el reemplazo del producto. Esta garantía solo es válida si el producto se ha montado y mantenido siguiendo las instrucciones. Esta garantía no cubre abusos, accidentes, cuestiones cosméticas como el descoloramiento o los arañazos debidos a su deterioro natural, ni ninguna otra causa que no provenga de defectos en los materiales o la mano de obra. *El periodo de la garantía es de tres (3) meses para guarderías o fines comerciales.

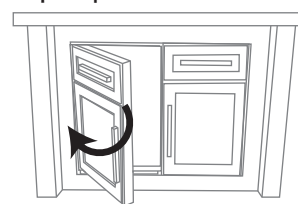
EE. UU. y Canadá: para información acerca de los servicios bajo garantía o el reemplazo de piezas, visite nuestro sitio web www.littletikes.com, llame al 1-800-321-0183, o escriba a la siguiente dirección: Servicio de atención al cliente, The Little Tikes Company, 2180 Barlow Road, Hudson OH 44236, EE. UU. Algunas piezas de repuesto pueden estar aún disponibles para su compra tras el vencimiento de la garantía. Contacte con nosotros para más información.

Fuera de EE. UU. y Canadá: póngase en contacto con su vendedor para los servicios de garantía. Esta garantía le concede determinados derechos legales sin perjuicio de otros derechos que les sea aplicables, los cuales varían de un país/estado a otro. Algunos países/estados no permiten la exclusión o limitación de daños accesorios o perjudiciales, por lo que las limitaciones o exclusiones anteriores podrían no ser aplicables a su caso.

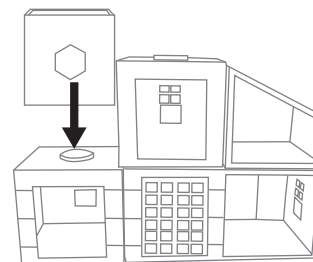
CARACTERÍSTICAS DE LOS ACCESORIOS

ES

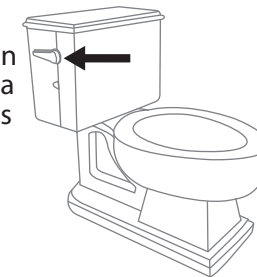
Isla de cocina:
¡Las puertas se abren!



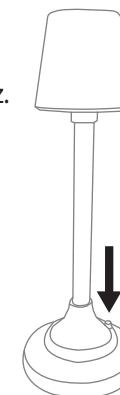
Minicasa apilable para muñecas:
¡Las secciones pueden apilarse para combinar con la casa para muñecas grande!



Inodoro:
¡Presione el botón en la manilla para escuchar sonidos de descarga de agua realistas!



Lámpara de piso:
Presione el botón en la base para encender la luz. Vuelva a presionar para apagarla.



NOTA: Después de 2 minutos, la luz se apagará.

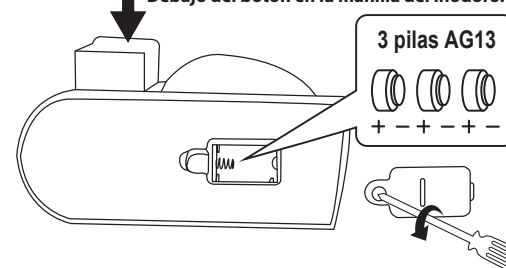
REEMPLAZO DE LAS PILAS

Un adulto debe instalar pilas alcalinas nuevas en el inodoro o en la lámpara de piso si se necesita reemplazar las pilas. Le mostramos cómo:

1. Use un destornillador cruciforme (Phillips) (no incluido) para retirar el tornillo y la tapa del compartimento para pilas debajo del inodoro o de la lámpara de piso.
2. Instale tres (3) pilas alcalinas AG13 de 1.5 V (LR44) (no incluidas) en el inodoro o la lámpara de piso, asegurándose de que los polos (+) y (-) estén orientados en la dirección correcta tal como se indica dentro del compartimento para pilas.
3. Vuelva a colocar la tapa del compartimento y ajuste el tornillo.

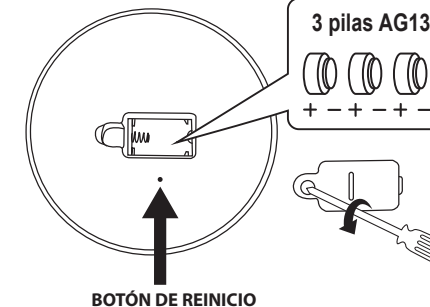
INODORO

BOTÓN DE REINICIO:
Debajo del botón en la manilla del inodoro.



LÁMPARA DE PISO

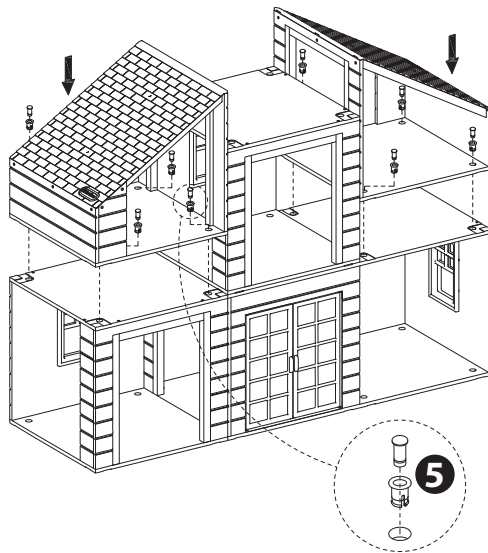
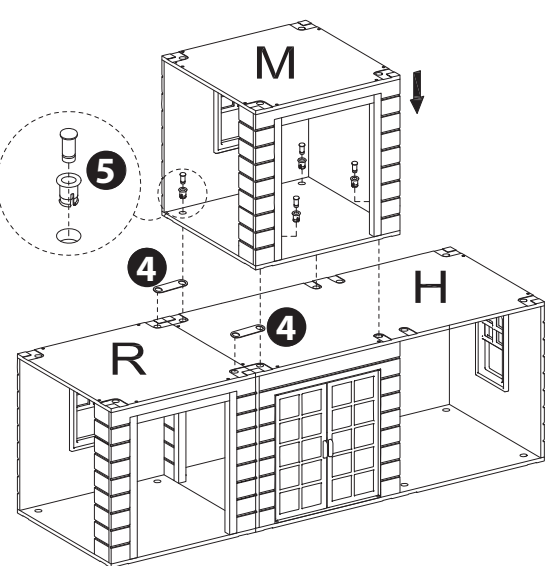
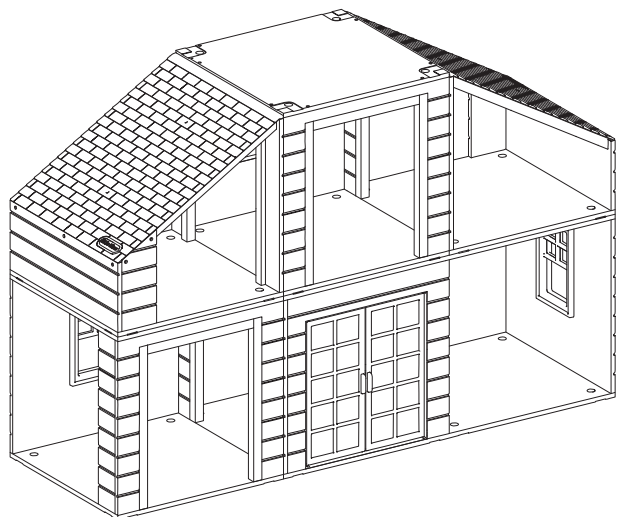
3 pilas AG13



BOTÓN DE REINICIO

BOTONES DE REINICIO: El inodoro y la lámpara de piso tienen botones de reinicio. Si dejan de funcionar, use un objeto afilado y puntiagudo para presionar los botones de reinicio.

CONFIGURACIÓN 3



¡INFORMACIÓN IMPORTANTE QUE DEBE SABER!

- Primero, lea con atención todas las instrucciones.
- Despeje una superficie plana donde colocar todos los materiales y así tenerlos al alcance de la mano.
- Las ilustraciones son solo a modo de referencia. Los estilos pueden variar respecto del contenido real.
- Por favor, quite todo el embalaje incluyendo etiquetas, sujetadores y puntadas de sujeción antes de dar este producto a un niño.
- Limpie la unidad con un paño ligeramente húmedo si es necesario.
- **ELIMINACIÓN:** Desarme y deseche el equipo de manera tal que no cause condiciones peligrosas tales como, entre otras, piezas pequeñas y bordes cortantes al momento de desechar el equipo.
- **Asegúrese de tener todo el contenido antes de armar. Si falta algo o si tiene preguntas, estamos aquí para ayudarle. Llame a nuestro equipo de servicio al cliente al 1-800-321-0183.**

¡Seamos cuidadosos!

⚠ ¡ADVERTENCIA!

- SE REQUIERE UN ADULTO PARA SU ARMADO.
- Antes de armarlo, este paquete contiene piezas pequeñas: herrajes que pueden provocar asfixia y puede contener bordes cortantes y puntas agudas. Mantener lejos de los niños hasta que se haya armado.
- Por favor, conserve este manual ya que contiene información importante.
- Este producto está diseñado para uso en interiores solamente.
- Este producto está diseñado para ser usado por niños de 3 años en adelante.
- Coloque el producto sobre una superficie plana, nivelada y sin objetos que puedan hacer que este producto se vuelque. Colóquelo también, fuera de las zonas de circulación.
- No lo use nunca cerca de escaleras, escalones, piscinas, superficies calientes, o áreas que puedan ser peligrosas para un niño.
- No use este producto si está dañado o roto.
- Siga paso a paso las instrucciones para armar correctamente este producto, ya que un armado incorrecto puede causar potenciales peligros.
- No permita que los niños se sienten, se paren, jueguen o trepen sobre la superficie superior, ya que esto podría causar que el producto se vuelva inestable.
- **No se recomienda apilar más de tres pisos. Si se apilan habitaciones con techo, asegúrese de apilarlo solo arriba.**

CONFORMIDAD CON LAS NORMAS DE LA FCC

NOTA: Tras someterlo a una serie de pruebas, se ha constatado que este aparato cumple los límites exigidos para dispositivos digitales pertenecientes a la Categoría B, según lo establecido en la Sección 15 de la legislación de la FCC. Estos límites están diseñados para proporcionar una protección adecuada contra interferencias perturbadoras en instalaciones domésticas. Este aparato genera, usa y puede irradiar energía en forma de radiofrecuencia. En caso de no ser instalado y utilizado de acuerdo con las instrucciones, podría causar interferencias en las comunicaciones de radio. De todos modos, no se garantiza que no lleguen a producirse interferencias en determinadas instalaciones. Si este aparato causa fuertes interferencias en la recepción de radio o televisión, lo cual puede corroborarse apagando y encendiendo el aparato, se aconseja que el usuario intente corregir las interferencias siguiendo uno de estos métodos:

- Reoriente o reubique la antena receptora.
- Aumente la distancia entre el aparato y el receptor.
- Conecte el equipo a una toma de corriente de un circuito eléctrico distinto al que está conectado el receptor.
- Consulte a su distribuidor o a un técnico especializado en radio y televisión para recibir asesoramiento.

Este dispositivo cumple la Sección 15 de las normativas de la FCC. Su funcionamiento está sujeto a las dos condiciones siguientes: (1) Este dispositivo no debe ocasionar interferencias perjudiciales y, (2) este dispositivo debe aceptar las interferencias recibidas, incluidas interferencias que puedan ocasionar un funcionamiento indeseado. Precaución: Las modificaciones no autorizadas por el fabricante pueden anular la autoridad del usuario para utilizar este dispositivo.

CAN ICES-3 (B)/NMB-3(B).

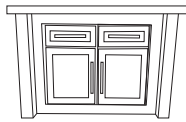
¡Algunas cosas más antes de comenzar!

ANTES de comenzar el armado, asegúrese de tener todas las piezas que se enumeran más abajo.
 ¿Tiene preguntas? Estamos aquí para ayudarle. Consulte al Servicio al consumidor Little Tikes® al 1-800-321-0183

A 	B 	C 	D 	E 	F
G 	H 	I 	J 	K 	L
M 	N 	O 	P 	Q 	R
S 	T 	U 	V 	W 	X
Y 	Z 	AA 	Herrajes		

1 Ø3*12mm X8	2 Ø4*22mm X44	3 Ø4*16mm Tomillo con cabeza pintada X16
4 X8	5 X16	6 Ø5*30mm X10

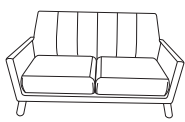
Accesorios



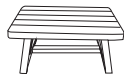
Isla de cocina (1)



Taburetes para isla (2)



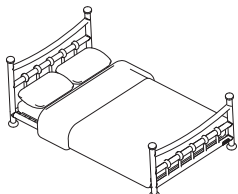
Sofá (1) con cojines (2)



Mesa baja (1)



Cozy Coupe® (1)



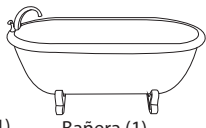
Cama (1) con colchón (1), cobija (1) y almohadas (2)
 (NOTA: LA CAMA VIENE SIN ARMAR)



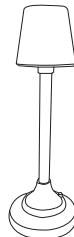
Cuna (1)



Mesa de apoyo (1)



Bañera (1)



Lámpara de piso (1)



Mecedora (1)



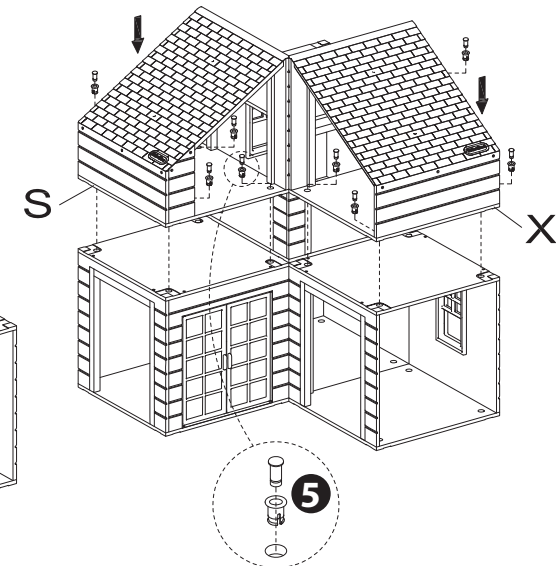
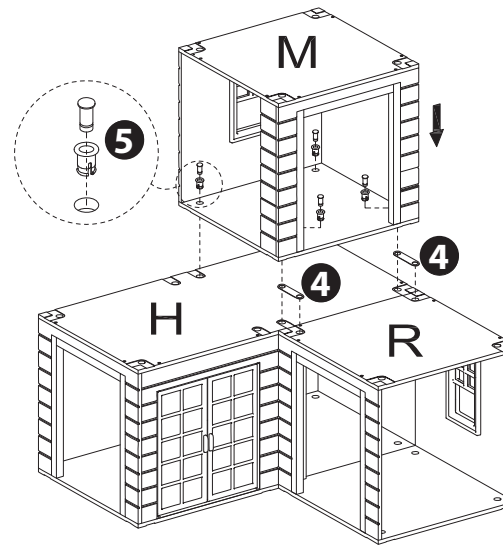
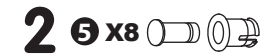
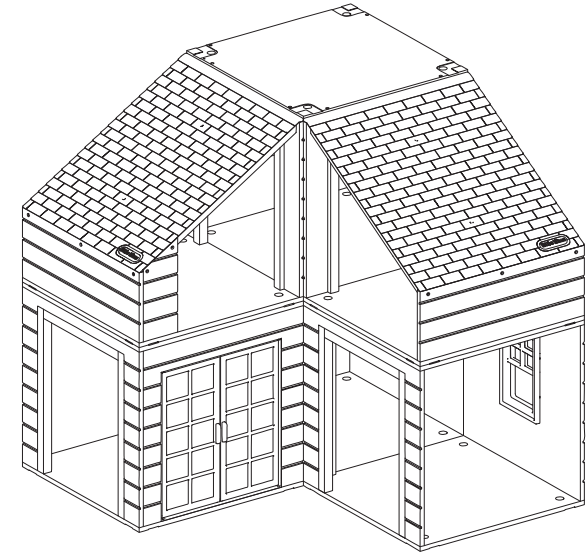
Minicasa para muñecas apilable (1)



Inodoro (1)

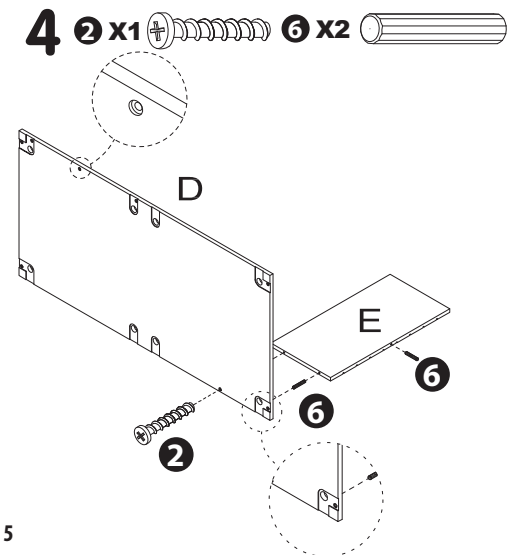
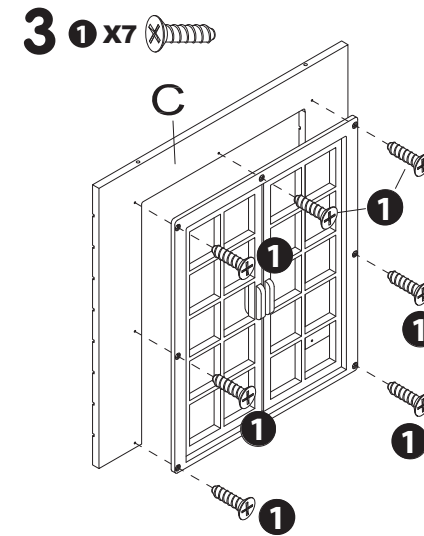
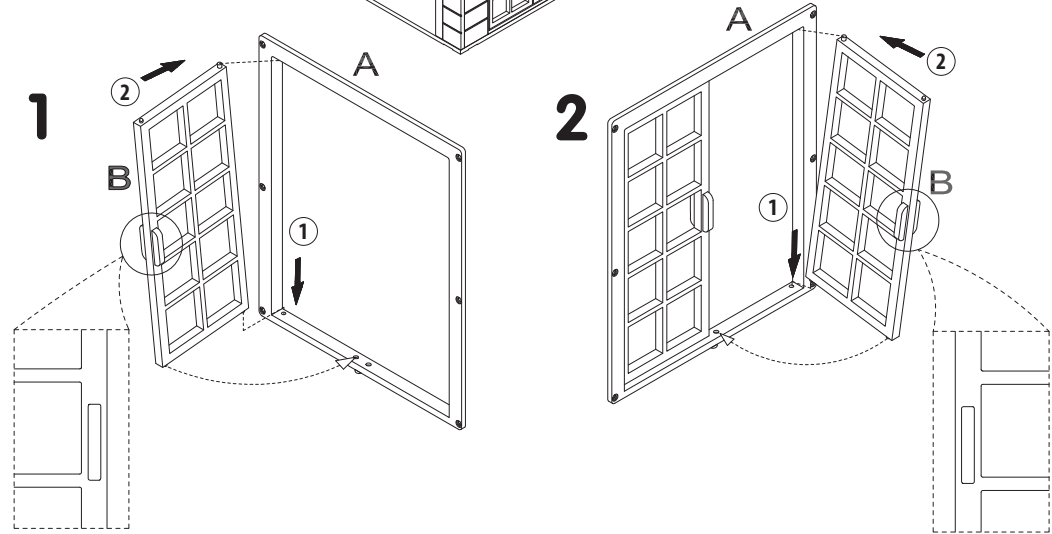
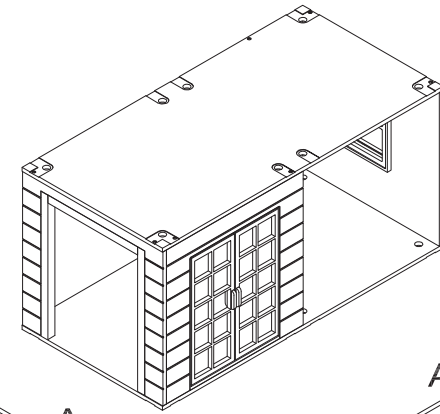
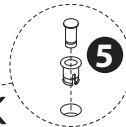
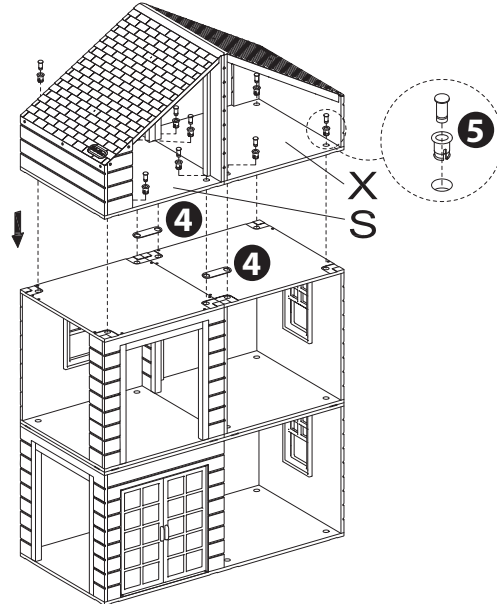
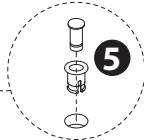
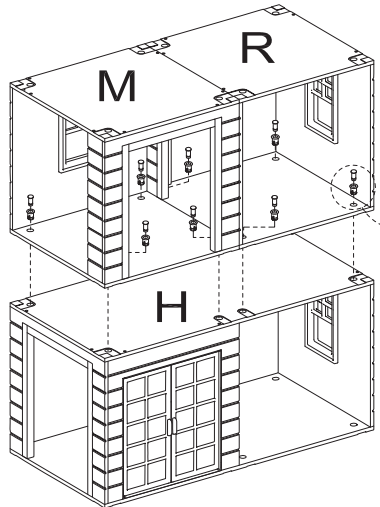
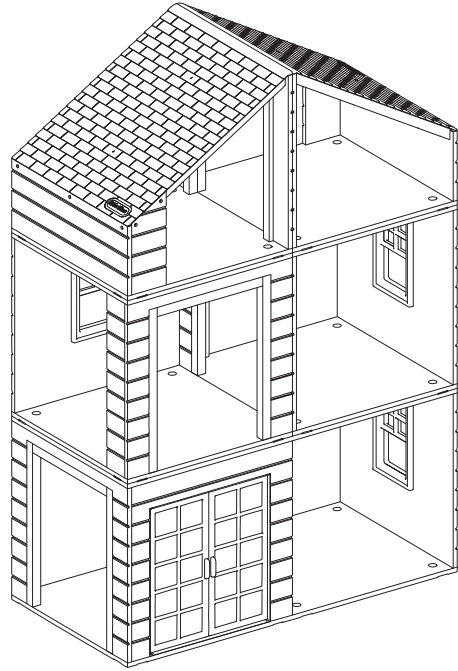
NOTA: Antes de jugar, retire las lengüetas de la lámpara de piso y del inodoro.

CONFIGURACIÓN 2

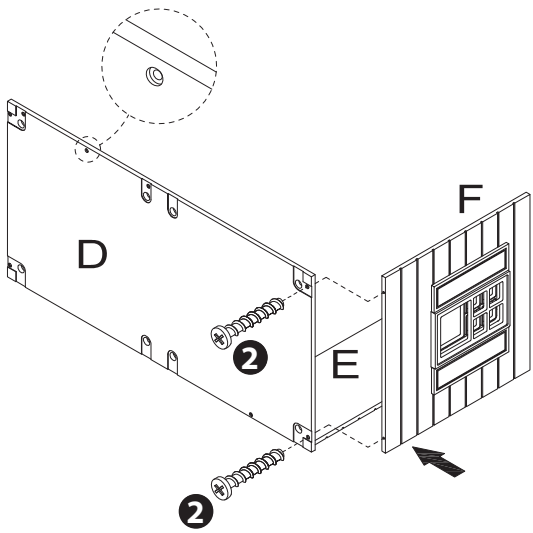


CONFIGURACIÓN 1

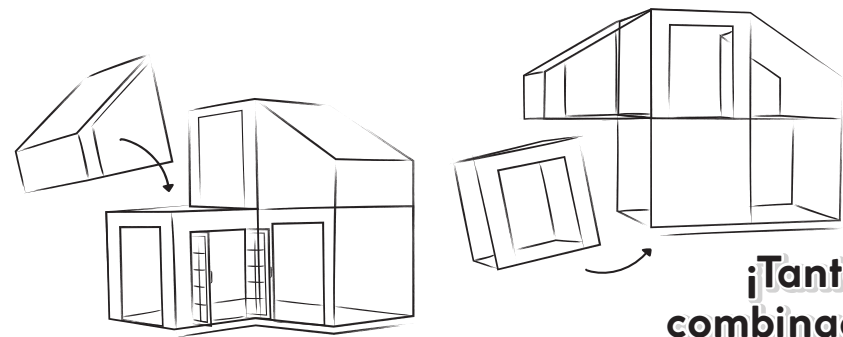
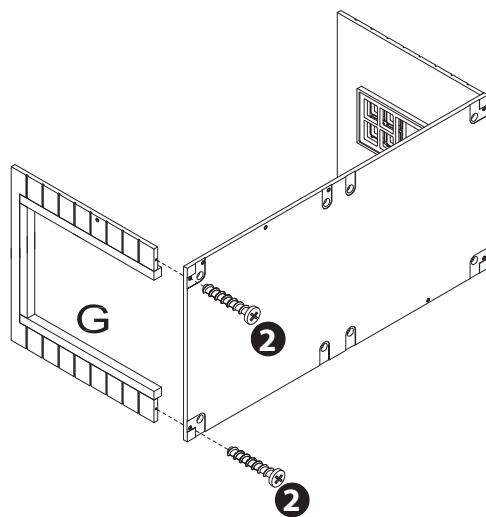
MONTAJE



5 2 x2 (+)



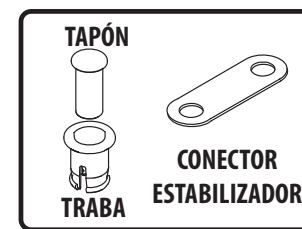
6 2 x2 (+)



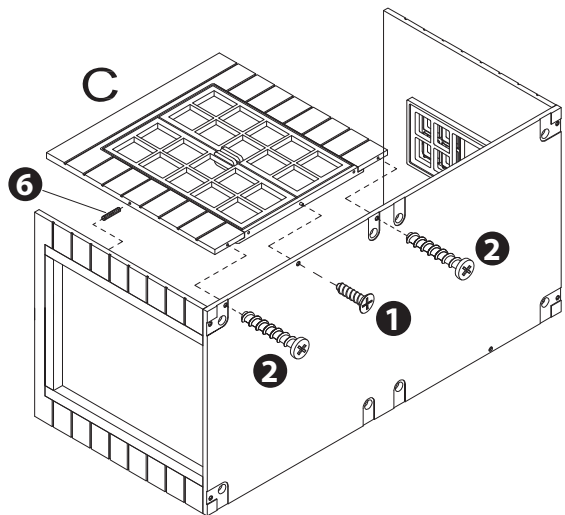
¡Tantas combinaciones!

APILAMIENTO DE LAS HABITACIONES

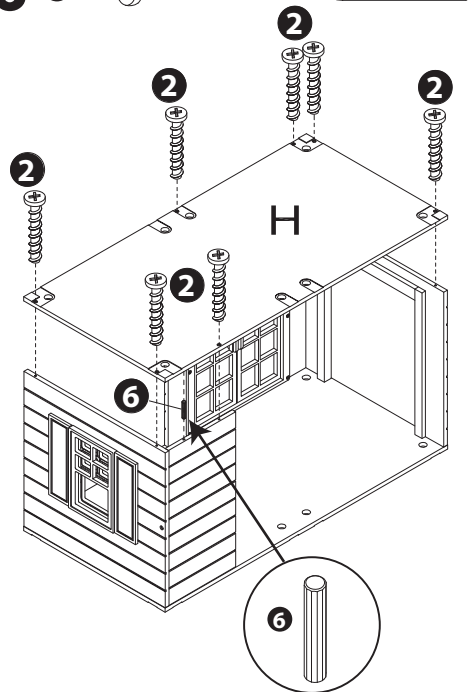
Las habitaciones pueden apilarse de diferentes maneras para crear distintas configuraciones. Para mantener los niveles y habitaciones fijos, necesitará los conectores estabilizadores y los tapones con trabas. Siga las instrucciones más abajo:



7 1 x1 (X) 2 x2 (+) 6 x1



8 2 x7 (+) 6 x1



1 Coloque los conectores estabilizadores

Los conectores estabilizadores se necesitan para mantener las habitaciones estables. Cada habitación tiene un hueco en el cielorraso sobre el cual se posará el conector estabilizador. Coloque un conector antes de apilar una habitación insertándolo en el hueco y asegurándose de que las aberturas estén alineadas (Fig. 1).

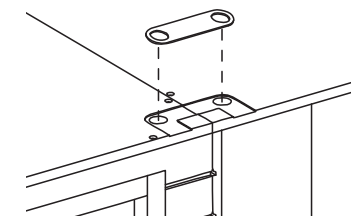


FIG. 1

2 Inserte los tapones y las trabas

Las trabas y los tapones se necesitan para mantener juntos los niveles trabados. Apile una habitación sobre otra, alineando las aberturas. Luego, trabe los niveles juntos colocando la traba en las aberturas e insertando los tapones en las trabas (Fig. 2).

Para quitar las trabas y crear una configuración diferente, sujete el borde de la traba con una mano y use la otra mano para sacar el tapón de la parte inferior para que salga (Fig. 3). Luego, retire la traba de la parte superior.

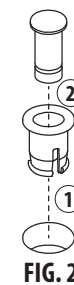


FIG. 2

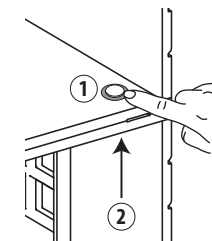
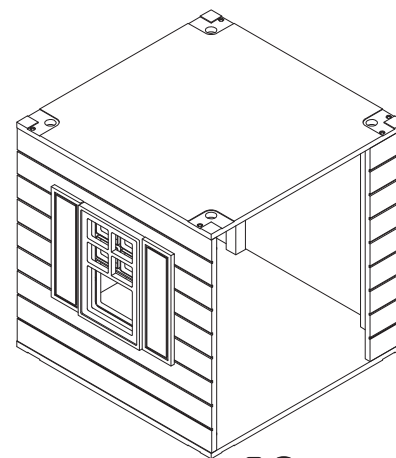
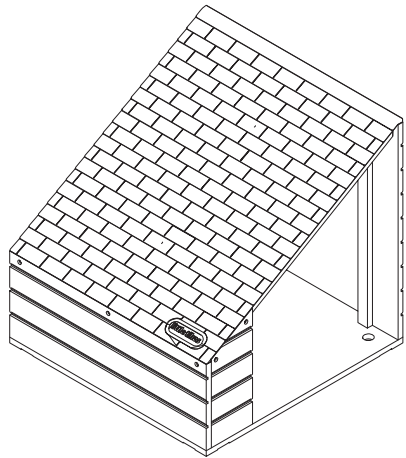


FIG. 3

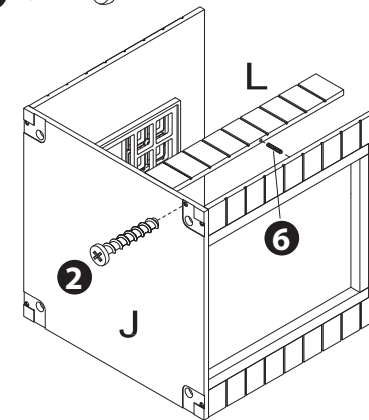
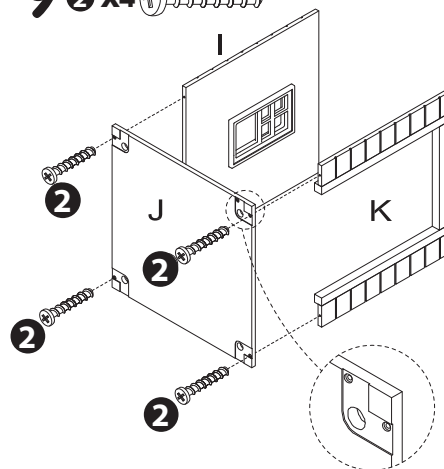
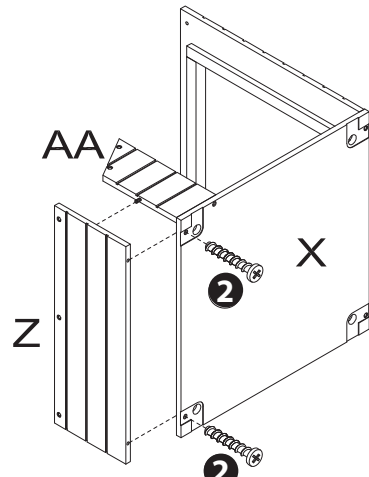
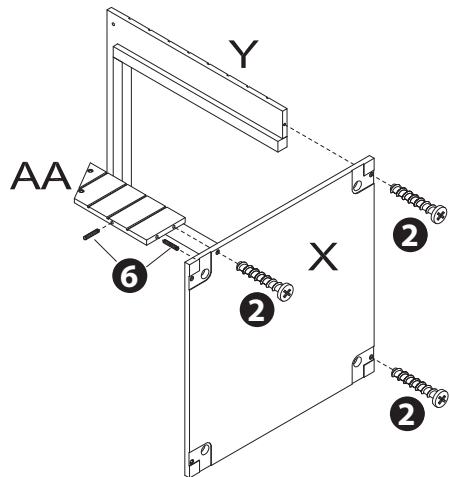


18 2 x3 (+) 6 x2

19 2 x2 (+)

9 2 x4 (+)

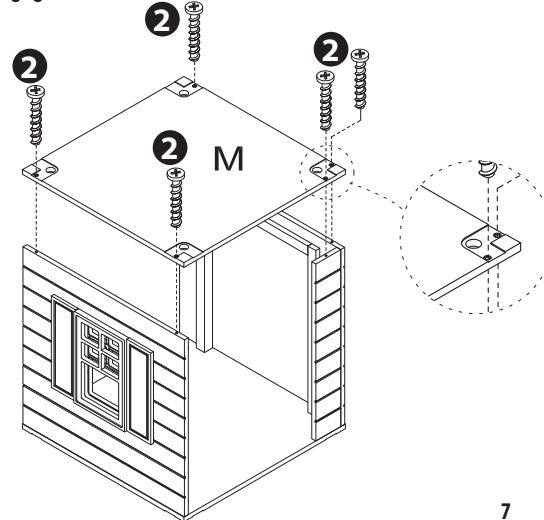
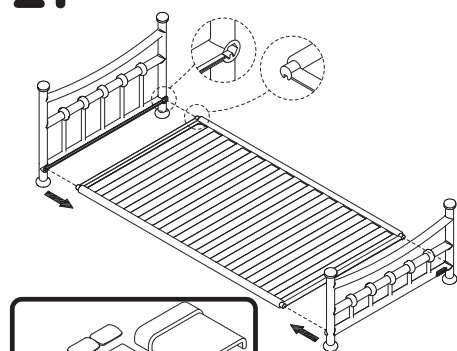
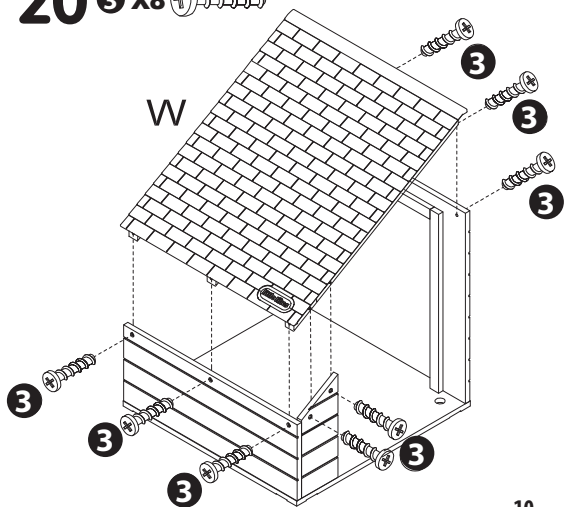
10 2 x1 (+) 6 x1

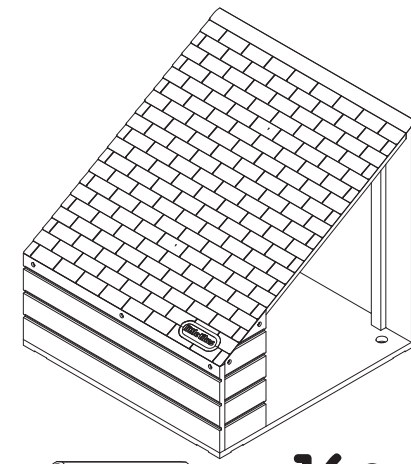
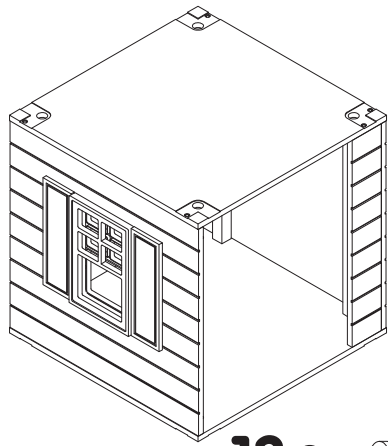


20 3 x8 (+)

21 MONTAJE DE LA CAMA

11 2 x5 (+)



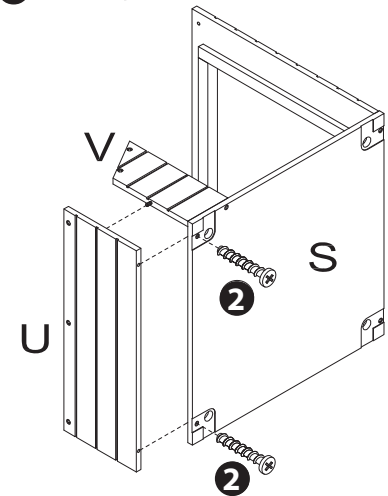
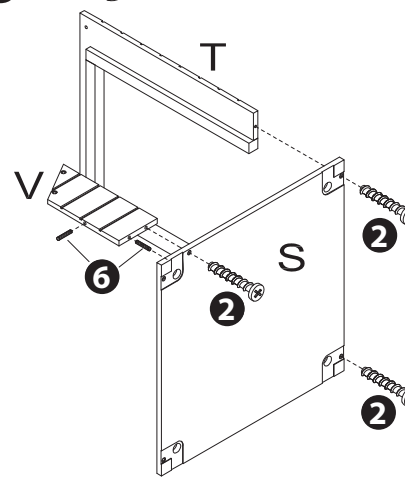
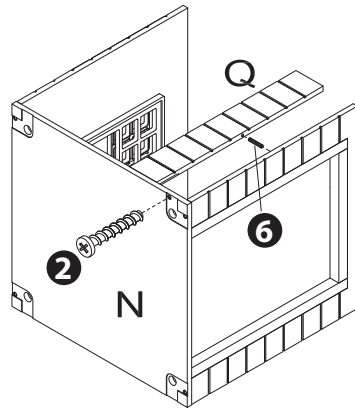
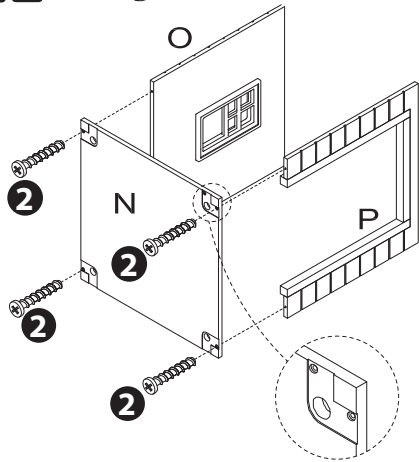


12 2 x4 (+) 

13 2 x1 (+)  6 x1 

15 2 x3 (+)  6 x2 

16 2 x2 (+) 



14 2 x5 (+) 

17 3 x8 (+) 

