



#620744M8X1
#627514M81X1
#627514MP
#660535M8X1
#660542M8X1

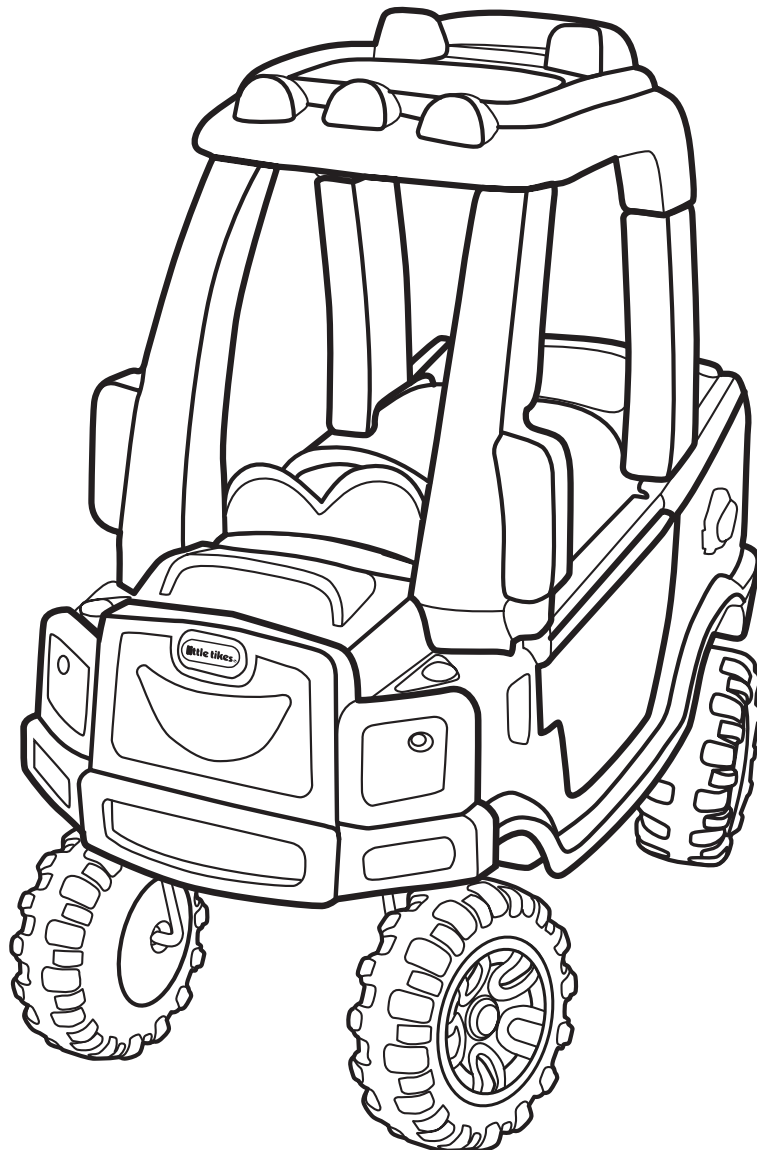
Cozy Truck™

ASSEMBLY INSTRUCTIONS

Adult assembly required. Approx. assembly time: 50 min.



YouTube



Thank you for choosing the Little Tikes® Cozy Truck™.

We strive to provide a durable, easy-to-assemble toy that's made to last, giving your child years of imaginative, engaging fun!

Really important information you should know!

- Read through all the instructions first.
- Clear a flat surface to lay out all the materials so everything is close at hand.
- You will need a Phillips head screwdriver (power driver, recommended, not included) hammer and safety glasses (not included) to assemble the Cozy Truck™.
 - When installing screws, be sure screws are tightened snugly, but do NOT OVERTIGHTEN.
- Be sure to locate your decals and set aside.
- The parts are listed below - each part is identified with a letter in RED for easy reference.
- Illustrations are for reference only. Styles may vary from actual contents.
- **If you have any questions, we're here to help. Give our customer service team a call at 1-800-321-0183.**

WARNINGS!

• Adult Assembly Required

- Keep these instructions for future reference.
- Prior to assembly, this package contains small parts: hardware which is a choking hazard and may contain sharp edges and sharp points. Keep away from children until assembled.
- Ride-on toys should not be used near swimming pools, on or near steps, hills, roadways, or inclines.
- Shoes must be worn at all times.
- Only one rider at a time.
- Maximum weight limit: 50 lbs. (23 Kg)
- This product is intended for use by children ages over 1 1/2 - 5 years.
- Adult supervision required. Do not leave children unattended.
- This product is intended for outdoor domestic family use only.
- Protect your eyes. Always wear safety glasses when using a hammer.
- When temperatures fall below 0°F/-18°C, outdoor use of this product is not recommended. In extreme cold, plastic materials lose resilience and may become brittle and crack upon impact. Store product in a warmer, protected place.

DISPOSAL

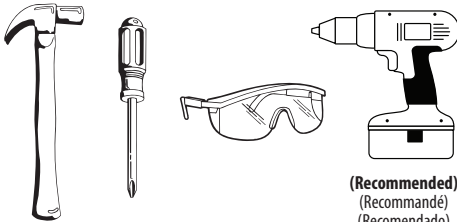
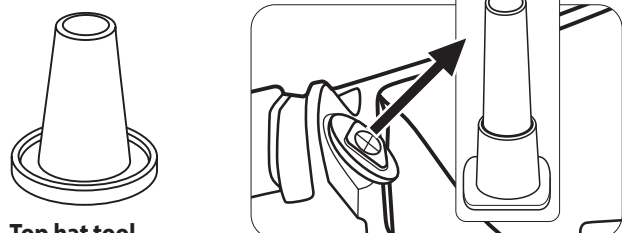
Disassemble and dispose of equipment in such a manner that no hazardous conditions such as, but not limited to, small parts and sharp edges exist at the time equipment is discarded.


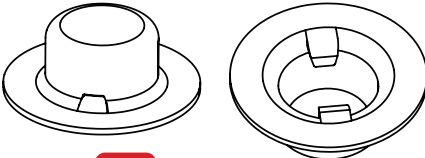
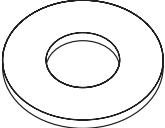
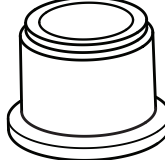
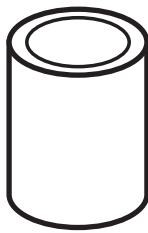
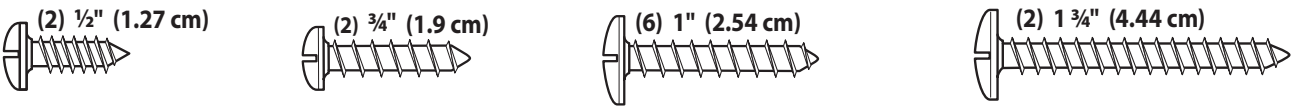
A Few Things Before You Start!

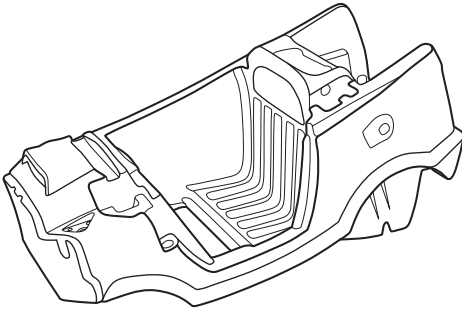
BEFORE you begin assembly, make sure you have all the parts listed below.

! Some packages of hardware may have extras pieces.

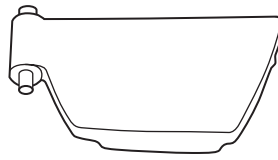
! Questions? We're here to help.
Little Tikes customer service team at 1-800- 321-0183.

<p>Tools required (not included)</p>  <p>(Recommended) (Recommandé) (Recomendado)</p>	<p>Included in hardware pack (1). Discard after use.</p>  <p>Top hat tool Tool color may vary.</p> <p>Remove and set aside. You will need for assembly.</p>
---	--

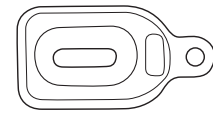
<p>Hardware Guide</p>  <p>Top hat tool</p>  <p>AA Top hat (6)</p>	 <p>BB Washer (6)</p>  <p>CC Bushing (4)</p>	 <p>DD Rear axle Bushing (2)</p>
<p>Shown actual size</p>  <p>(2) 1/2" (1.27 cm) (2) 3/4" (1.9 cm) (6) 1" (2.54 cm) (2) 1 3/4" (4.44 cm)</p>		



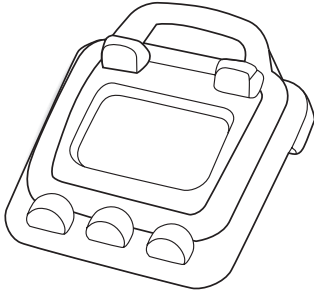
A Body (1)



B Door (1)

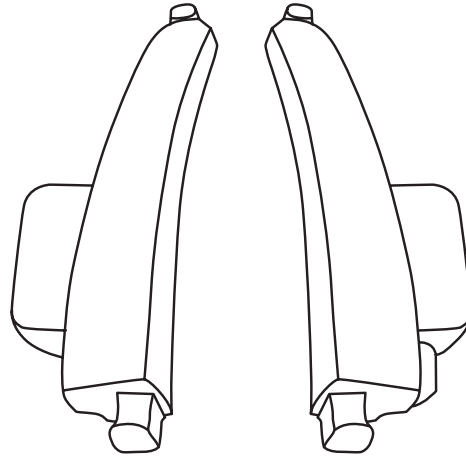


C Door latch (1)



D Roof (1)

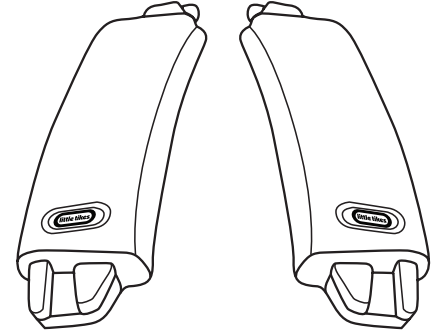
Roof Pillars - FRONT



E1 Roof pillars - front right (1)

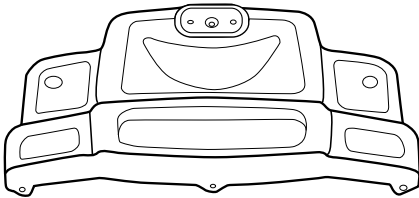
E2 Roof pillars - front left (1)

Roof Pillars - REAR



F1 Roof pillars - rear right (1)

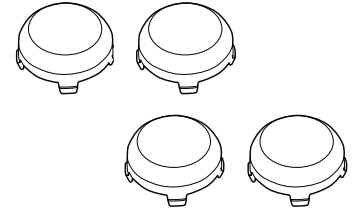
F2 Roof pillars - rear left (1)



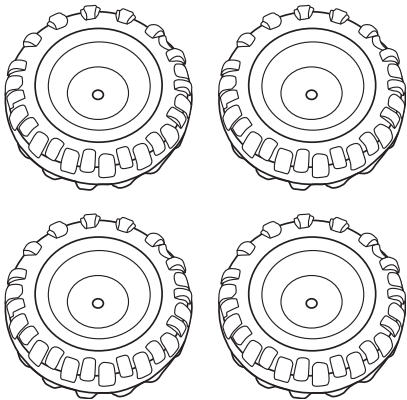
G Grill (1)



H Rear axle (1)



J Center caps (4)

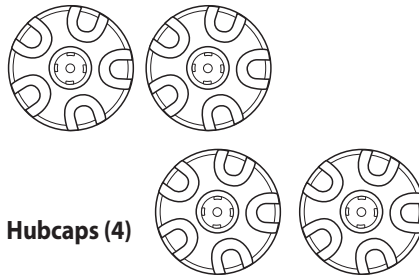


K Wheels (4)

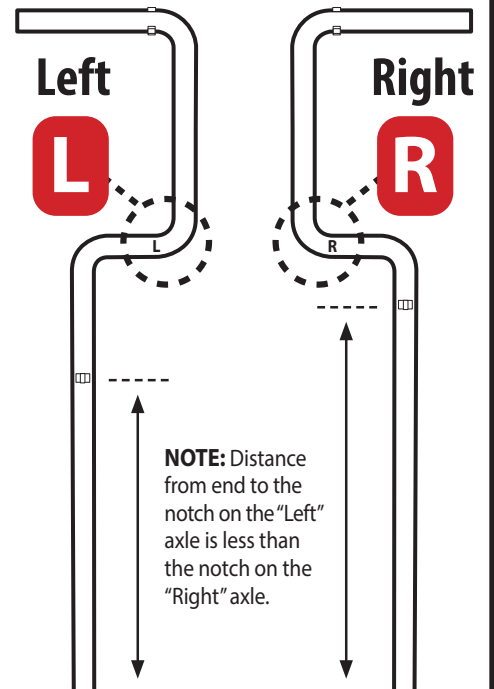
I Logo (1)



M Hubcaps (4)

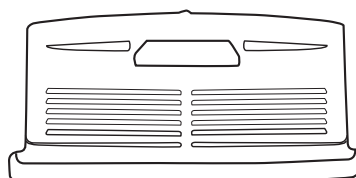


Front Wheel Axles

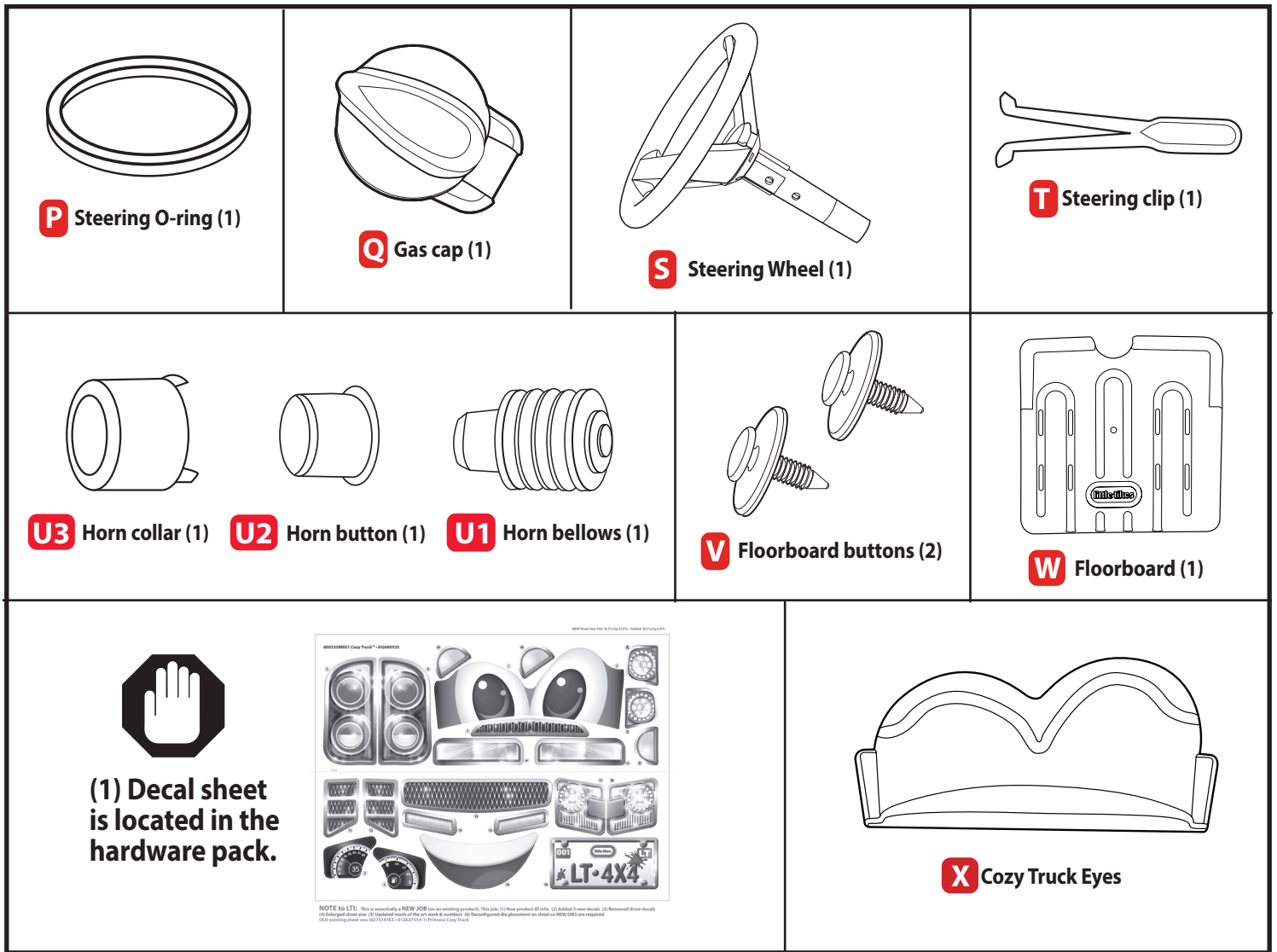


O1 Top hat corner - right (1)

O2 Top hat corner - left (1)



N Tailgate (1)



© The Little Tikes Company, an MGA Entertainment company. LITTLETIKES® is a trademark of Little Tikes in the U.S. and other countries. All logos, names, characters, likenesses, images, slogans, and packaging appearance are the property of Little Tikes. Please keep this address and packaging for reference since it contains important information. Contents, including specifications and colors, may vary from photos depicted on package. Instructions included. Please remove all packaging including tags, ties & tacking stitches before giving this product to a child.

LIMITED WARRANTY

The Little Tikes Company makes fun, high quality toys. We warrant to the original purchaser that this product is free of defects in materials or workmanship for one year* from the date of purchase (dated sales receipt is required for proof of purchase). At the sole election of The Little Tikes Company, the only remedies available under this warranty will be the replacement of the defective part or replacement of the product. This warranty is valid only if the product has been assembled and maintained per the instructions. This warranty does not cover abuse, accident, cosmetic issues such as fading or scratches from normal wear, or any other cause not arising from defects in material and workmanship. *The warranty period is three (3) months for daycare or commercial purchasers.

U.S.A and Canada: For warranty service or replacement part information, please visit our website at www.littletikes.com, call 1-800-321-0183 or write to: Consumer Service, The Little Tikes Company, 2180 Barlow Road, Hudson OH 44236, U.S.A. Some replacement parts may be available for purchase after warranty expires—contact us for details.

Outside U.S.A and Canada: Contact place of purchase for warranty service. This warranty gives you specific legal rights, and you may also have other rights, which vary from country/state to country/state. Some countries/states do not allow the exclusion or limitation of incidental or consequential damages, so the above limitation or exclusion may not apply to you.

MGA **little tikes**
CUSTOMER SERVICE:

United States:
www.littletikes.com
 1-800-321-0183 Monday - Friday
 The Little Tikes Company
 2180 Barlow Road, Hudson, OH 44236

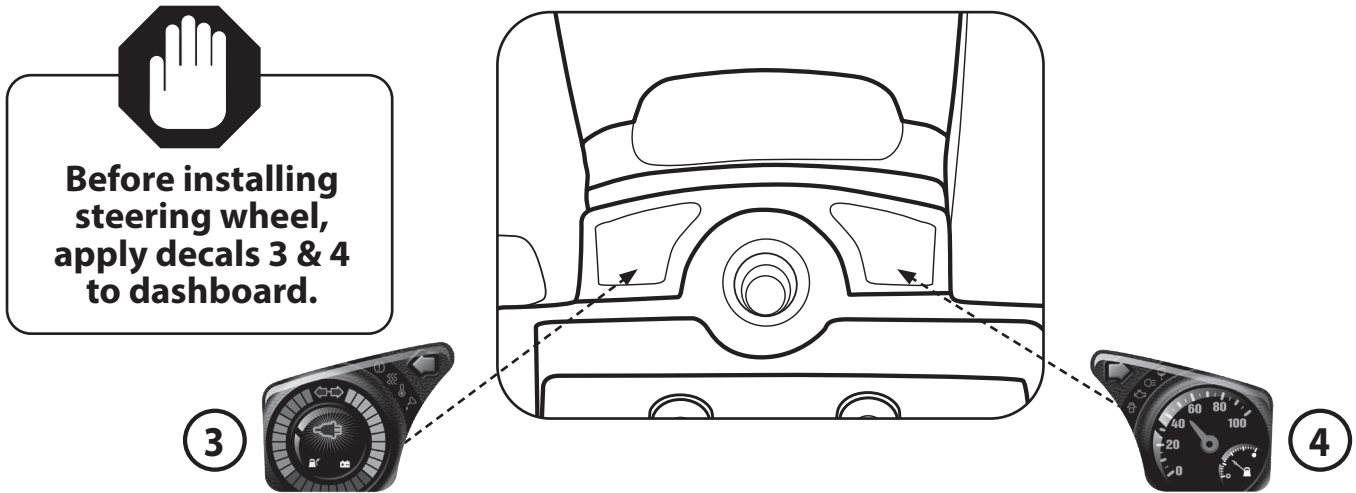
Printed in U.S.A. D.R.©2022 The Little Tikes Company

United Kingdom:
www.littletikes.co.uk
 MGA Consumer Services
 P.O. Box 2040 Hockley, Essex, SS5 4BF
 Phone: 0 800 521 558
 E-mail: support@Littletikesstore.co.uk

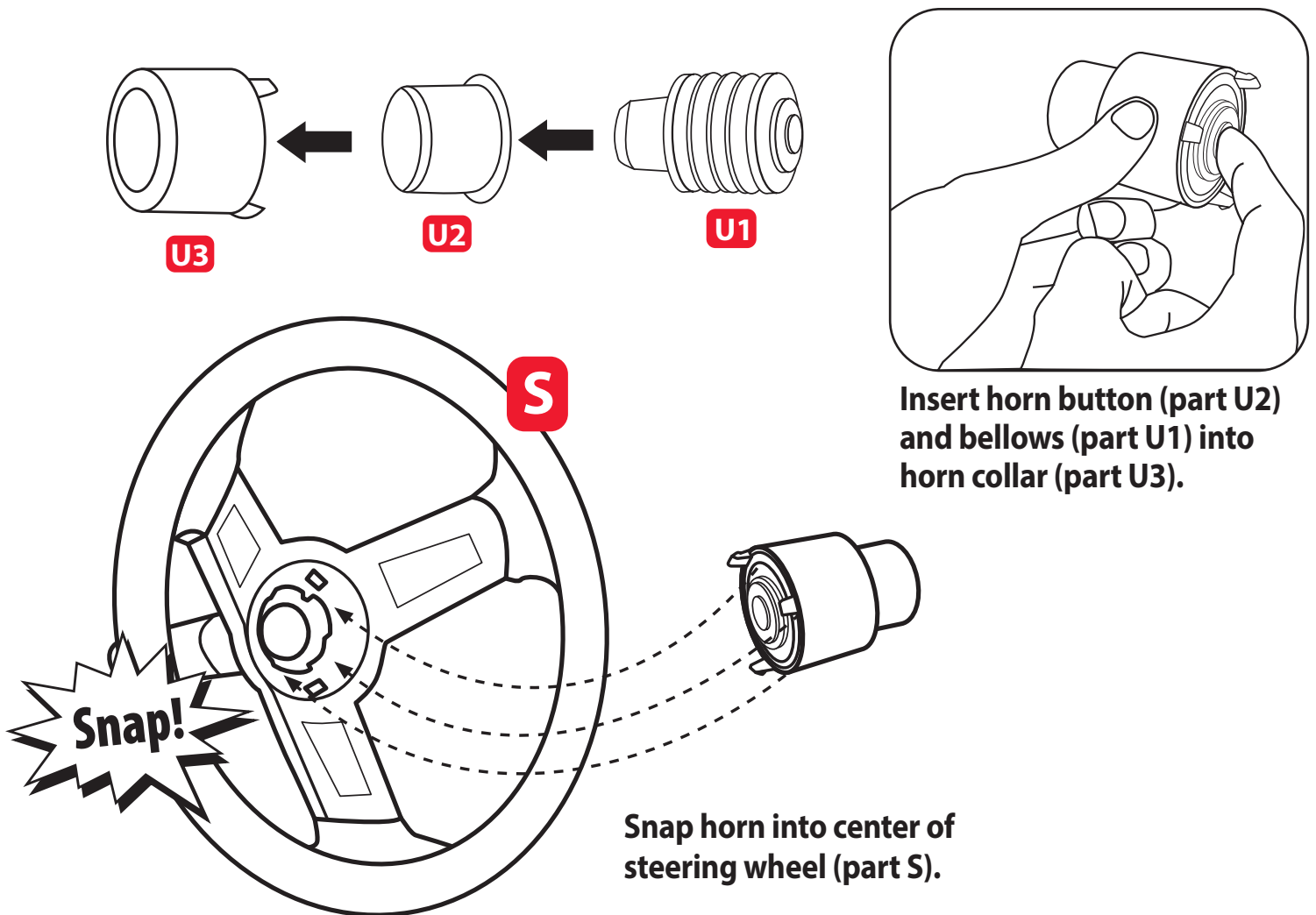
Australia
www.littletikes.com.au
 MGA Entertainment Australia PTY LTD.
 Suite 2.02, 32 Delhi Road, Macquarie Park NSW 2113, AU.
 Phone: 1 300 059 676
 Email: au-sales@mgae.com



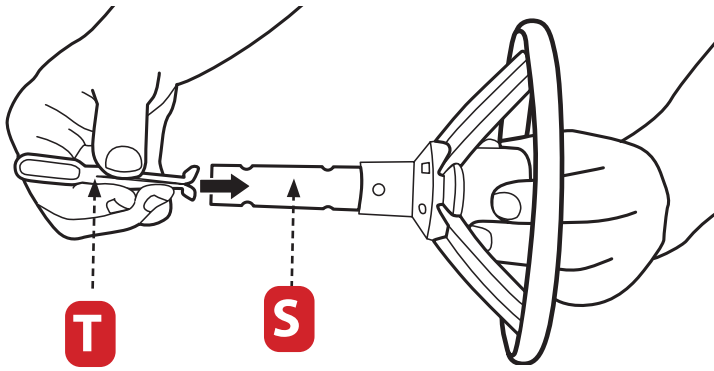
1 Start with the steering decals!



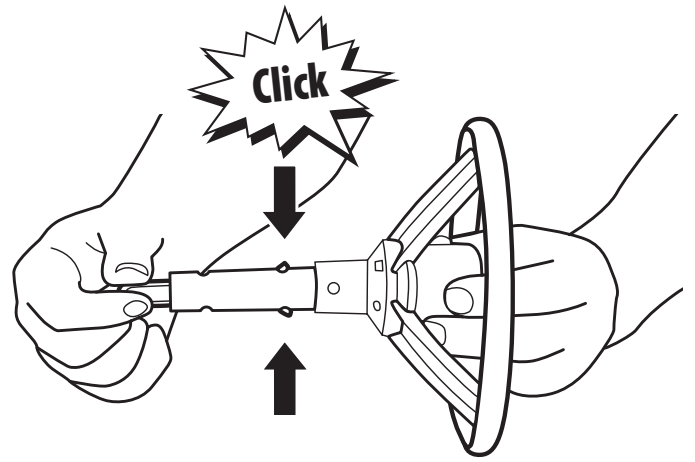
2 Let's get the horn working



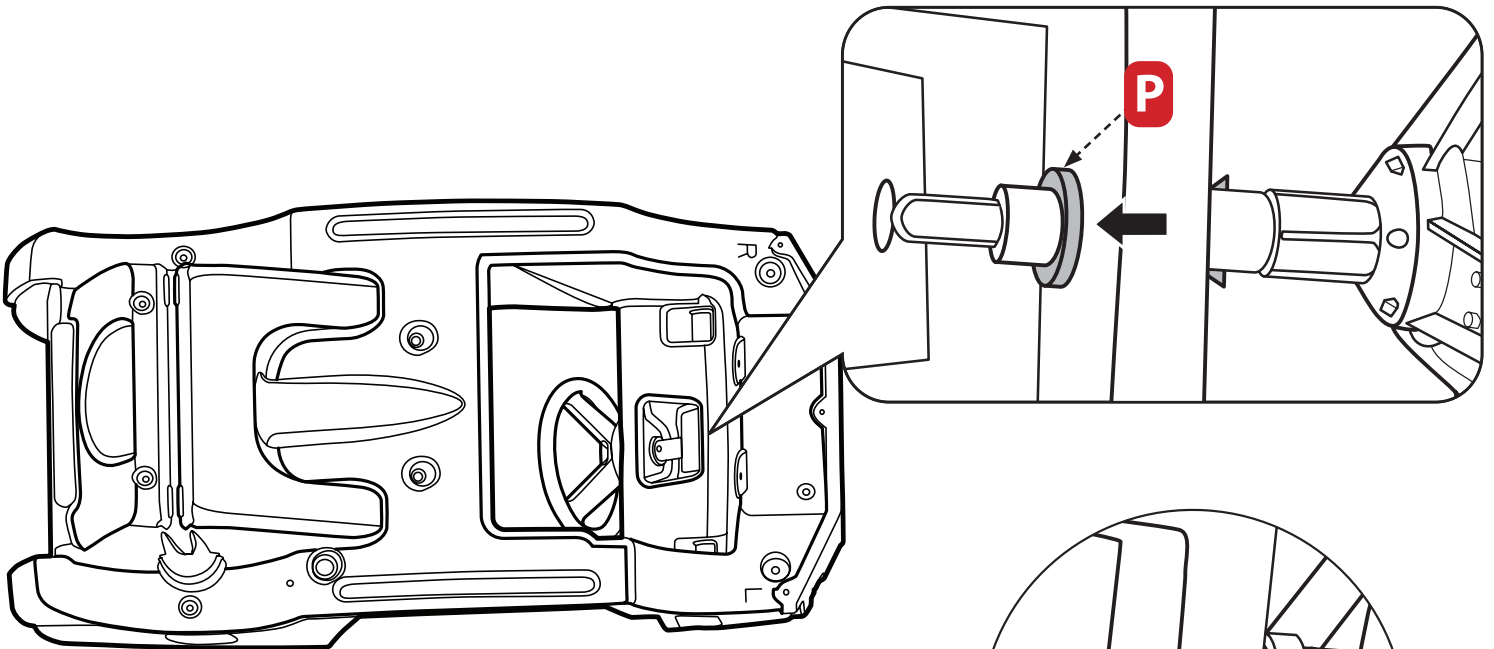
3 Steering in a CLICK!



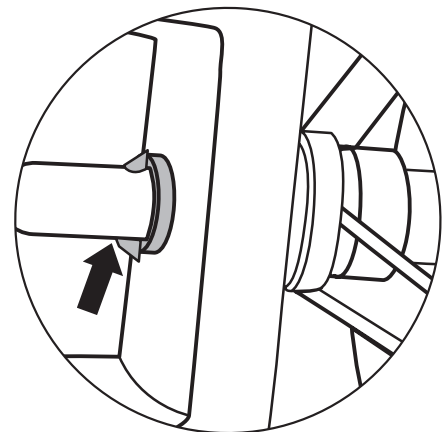
1 Squeeze steering clip (part T) into steering wheel (part S).



2 Steering clip should snap into MIDDLE hole on each side of the steering column.



3 Insert steering wheel through hole in dashboard AND through the steering O ring (part P).



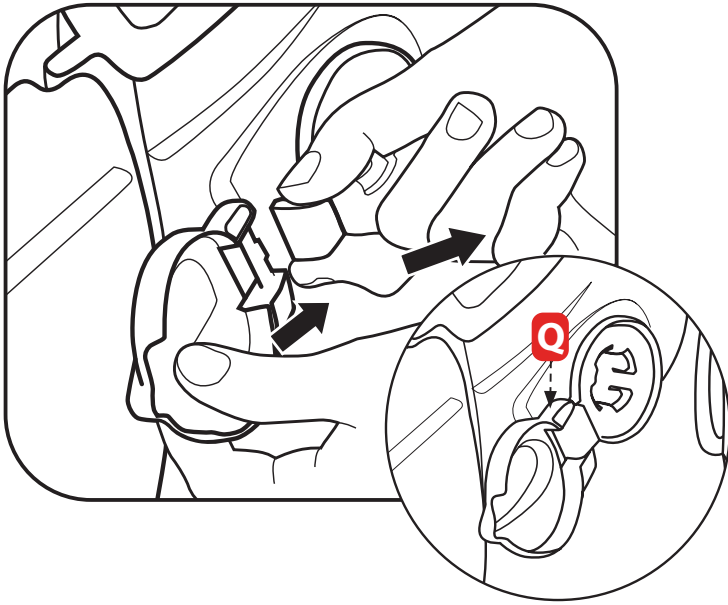
4 Make sure the steering clip snaps past the O ring.



If your steering wheel is loose or not staying in place; check to be sure the steering clip has completely snapped past the O-ring.

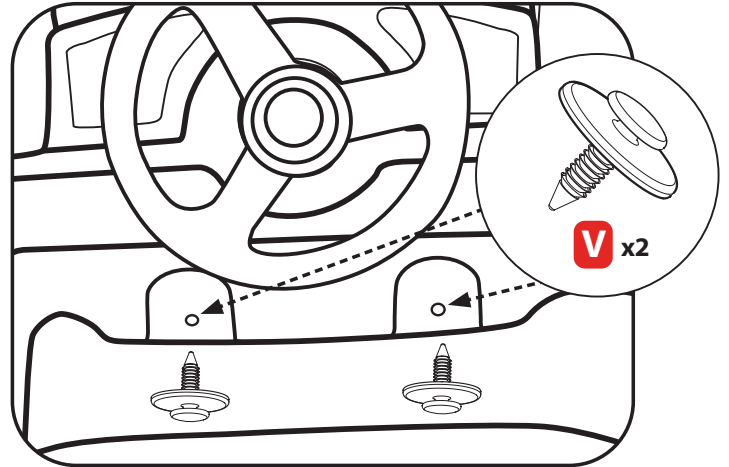
4 Cap it!

Insert gas cap (part Q).



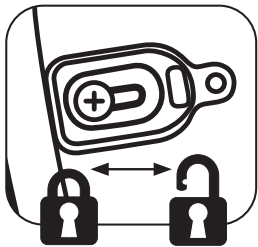
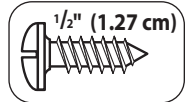
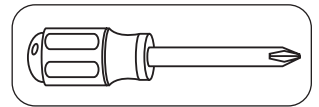
5 Floorboard needs buttons!

Insert (2) floorboard buttons (part V).

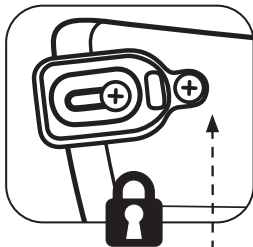


6 Ready...let's get started!

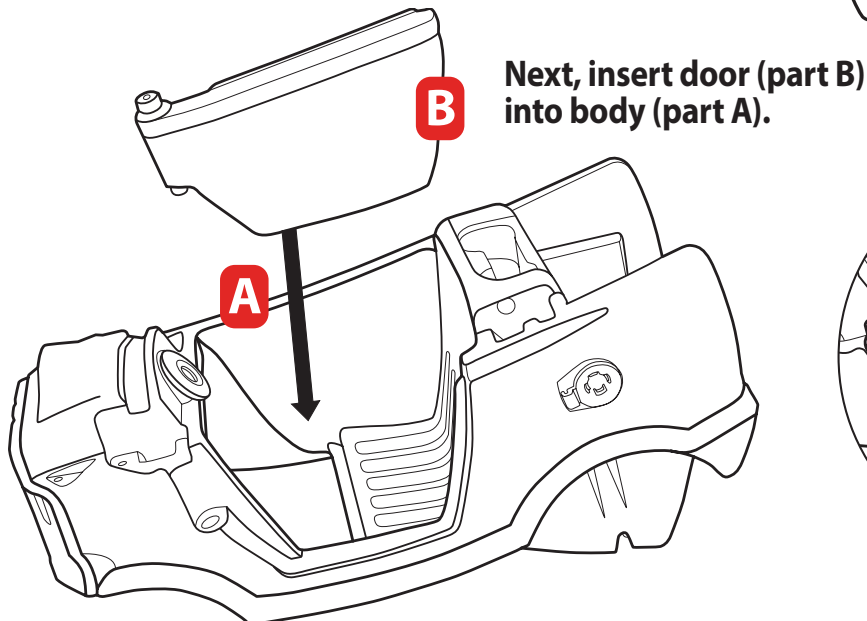
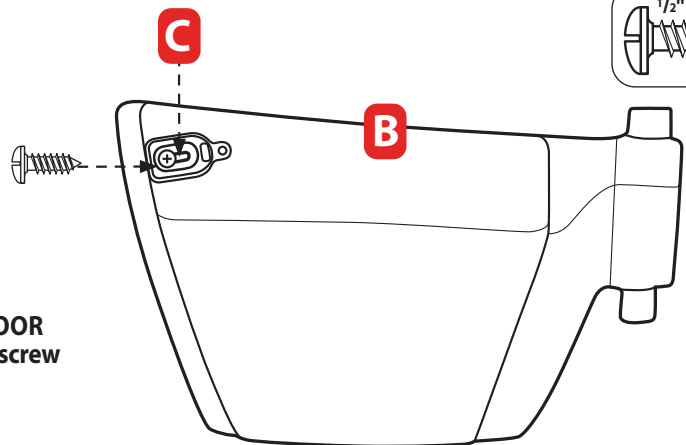
First, install door latch (part C) into door (part B)
Attach using (1) 1/2" (1.27 cm) screw.



DOOR LOCKS AND UNLOCKS




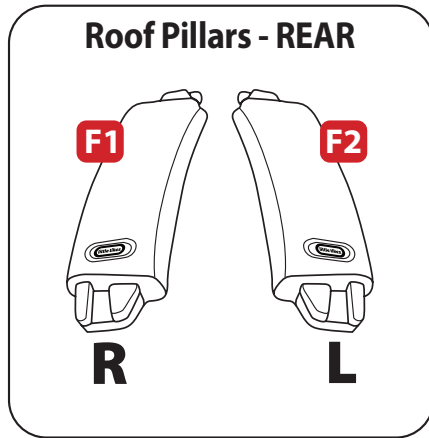
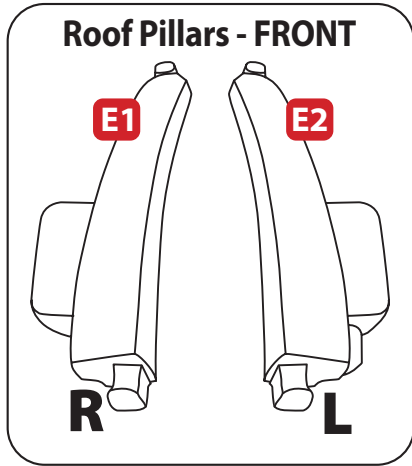
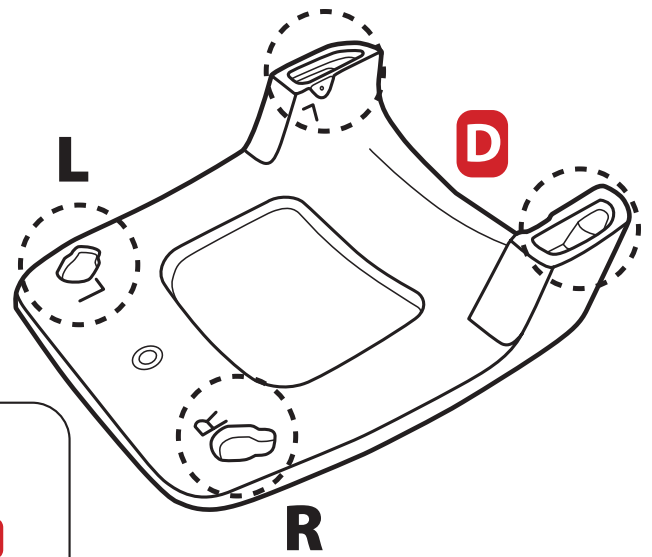
TO PERMANENTLY LOCK THE DOOR
Add (1) additional 1/2" (1.27 cm) screw



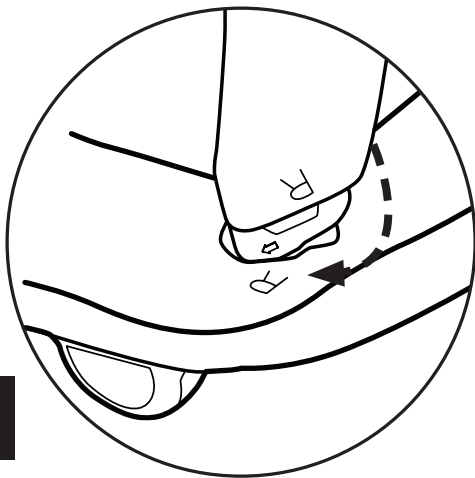
Next, insert door (part B)
into body (part A).

7 Roof and pillars match-up!

 **BEFORE YOU START:** match rear supports marked "L & R" to the correct side of roof also marked "L & R".

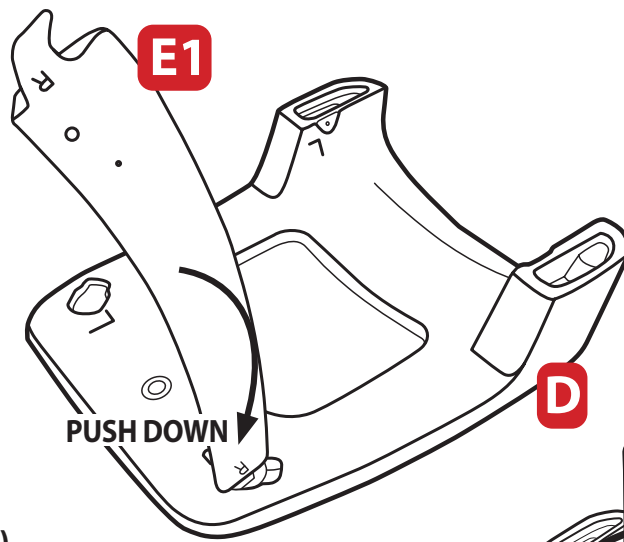


7a FRONT pillars...insert, pull back, turn!



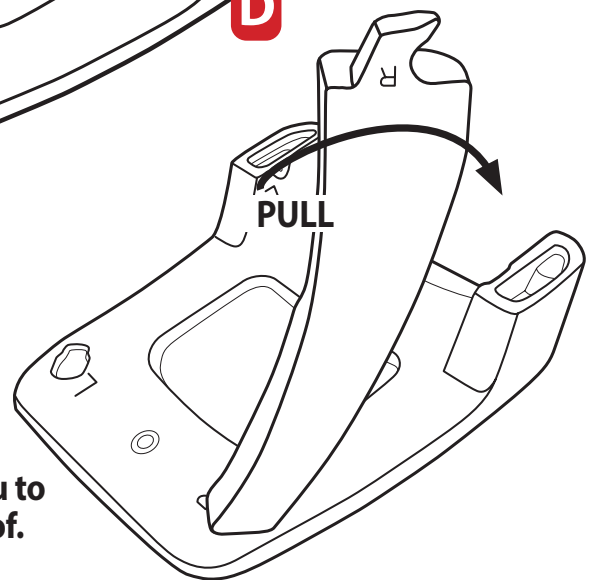
1

Line up the "R" on the front roof pillar (part E1) to the "R" on the roof (part D). Hook the rounded end in and push down.

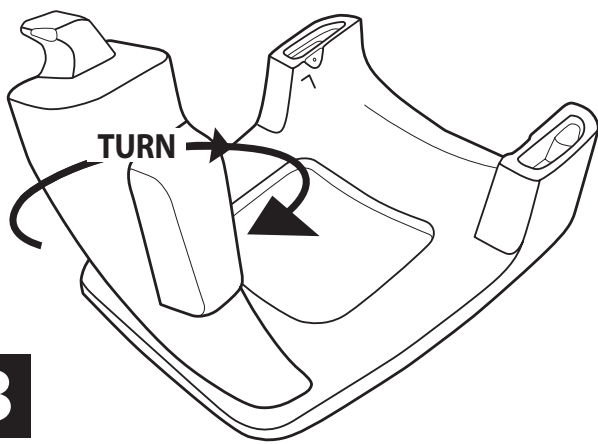


2

Pull the FRONT pillar toward you to fully insert the pillar into the roof.



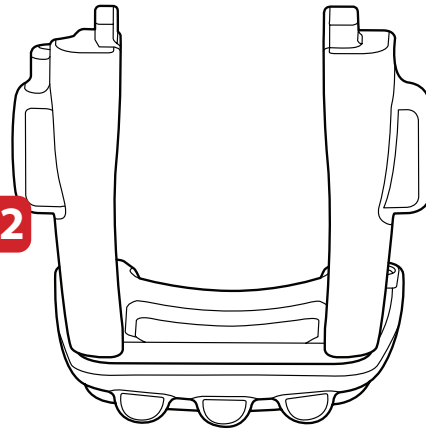
7a FRONT pillars...insert, pull back, turn!



3

Turn the FRONT pillar around.
The side view mirror should be facing outward.

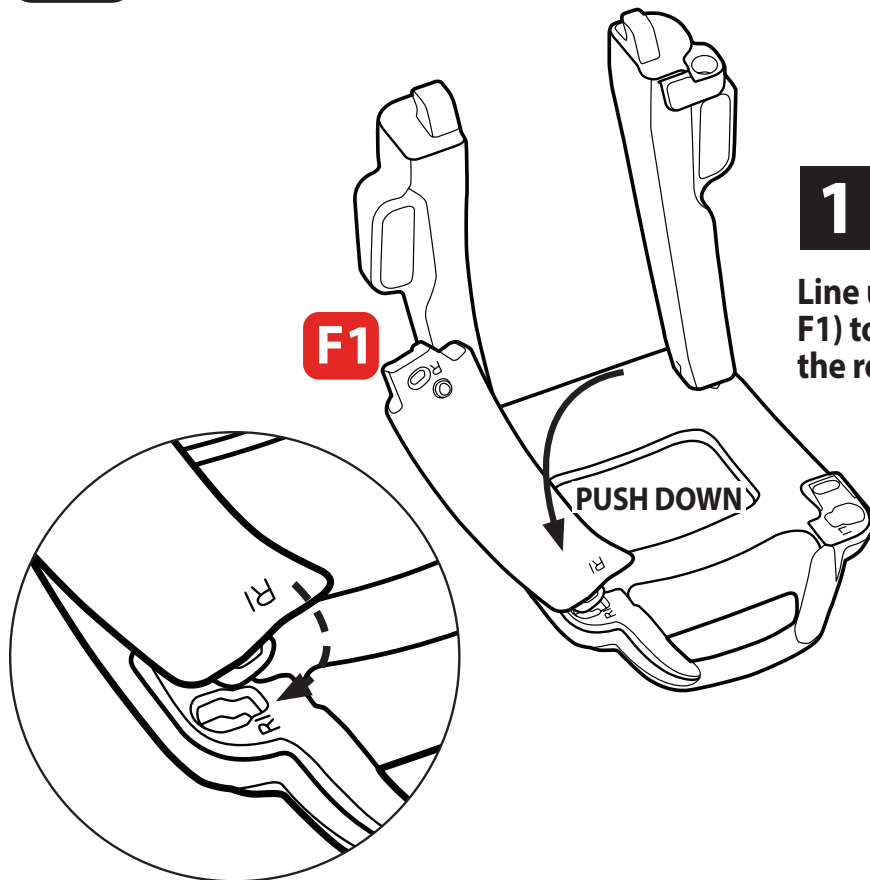
E2



4

Repeat steps for the pillar -
front LEFT (part E2).

7b REAR pillars...insert, pull back, turn!

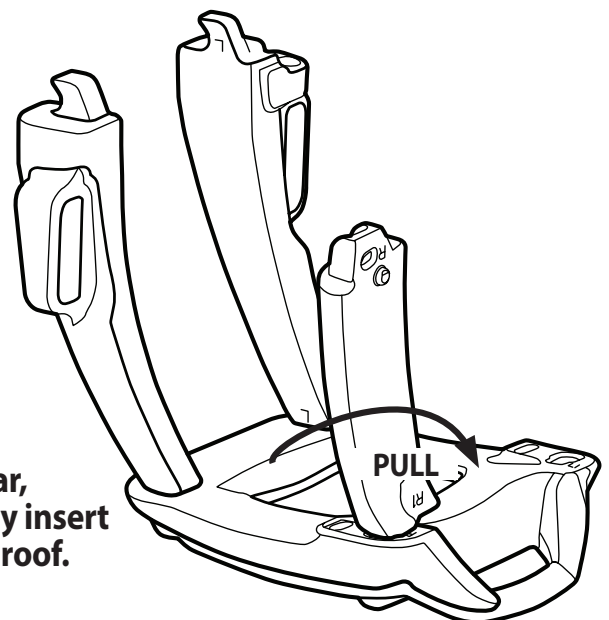


1

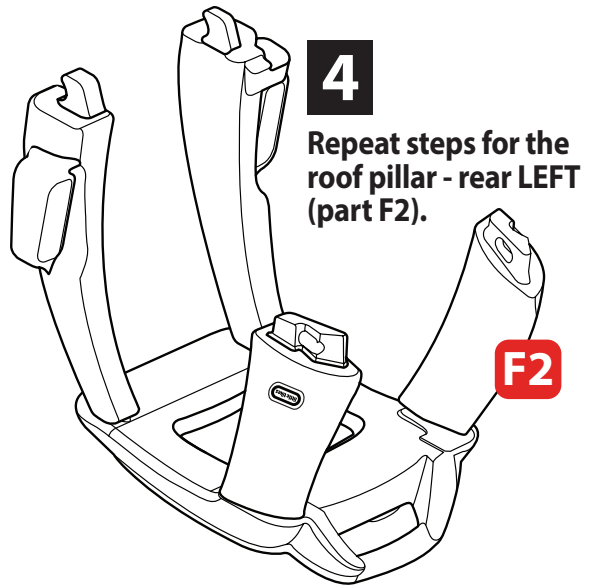
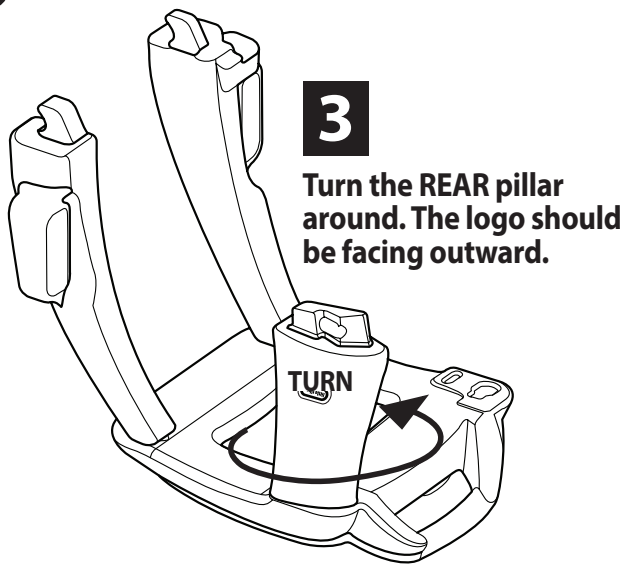
Line up the "R1" on the rear pillar (part
F1) to the "R1" on the roof (part D). Hook
the rounded end in and push down.

2

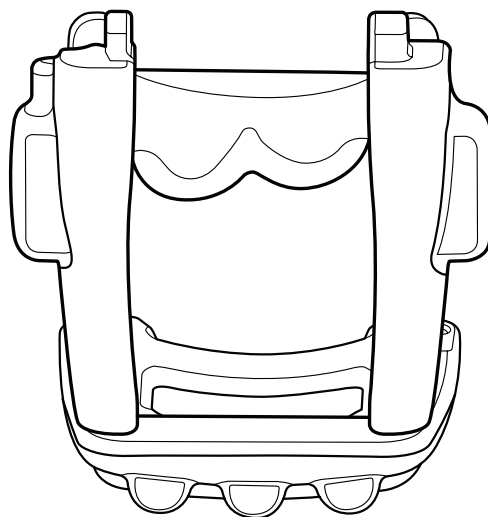
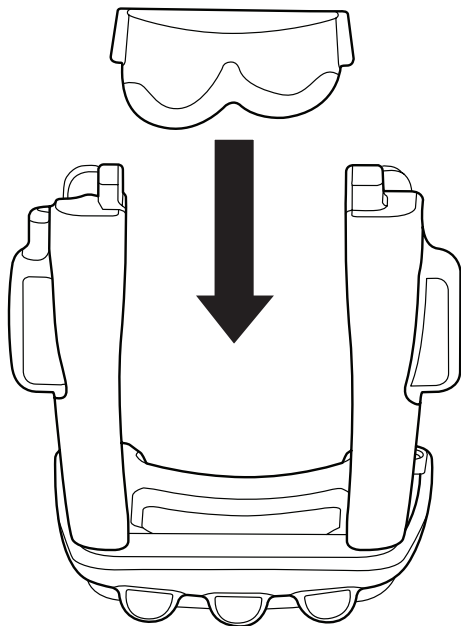
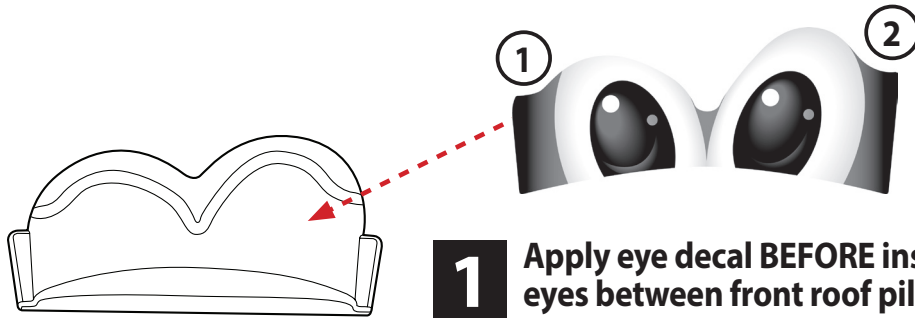
Pull the REAR pillar,
toward you to fully insert
the pillar into the roof.



7b REAR pillars...insert, pull back, turn!

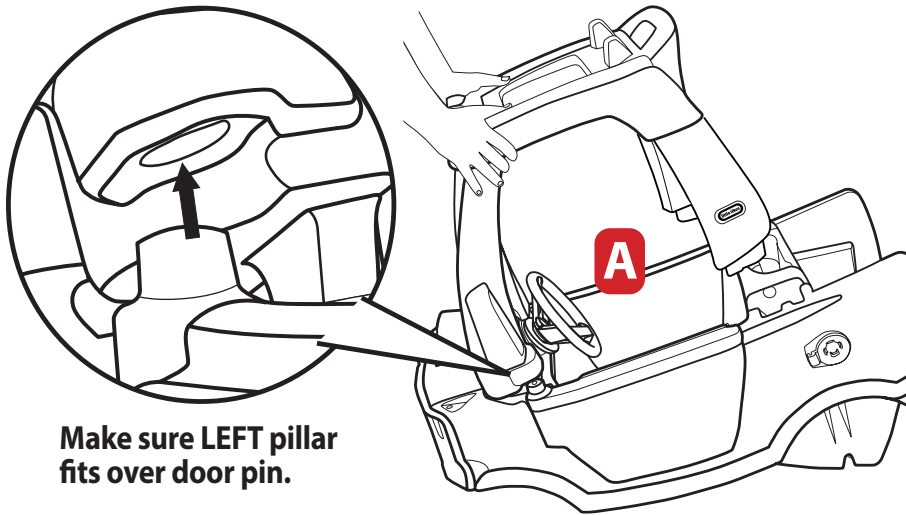


8a FRONT pillars...lock the eyes in place!

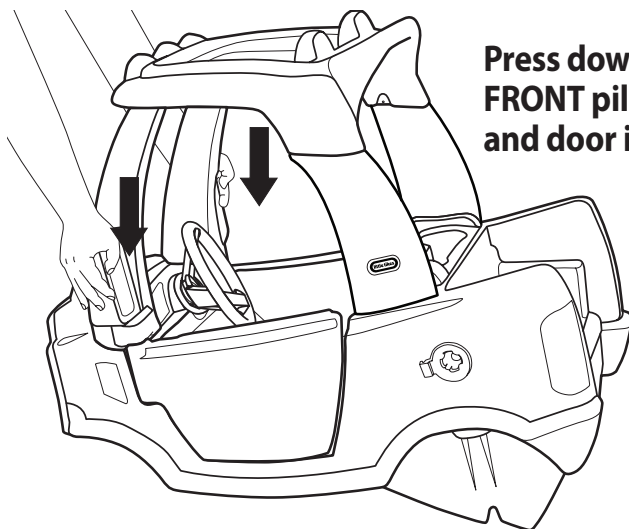
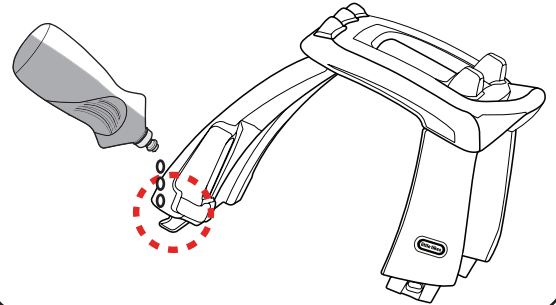


8b FRONT pillars...lock the door in place!

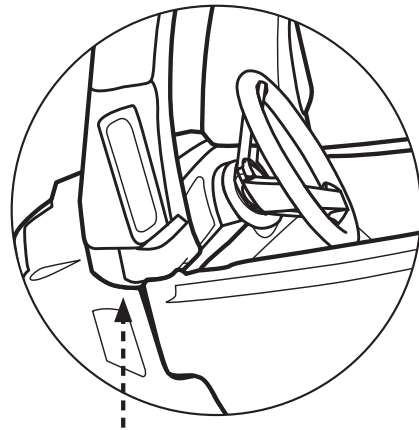
Insert the front roof pillars and roof on the body (part A).



To ease the assembly, it helps to place a drop or two of liquid dish soap onto the surface area that is being assembled.

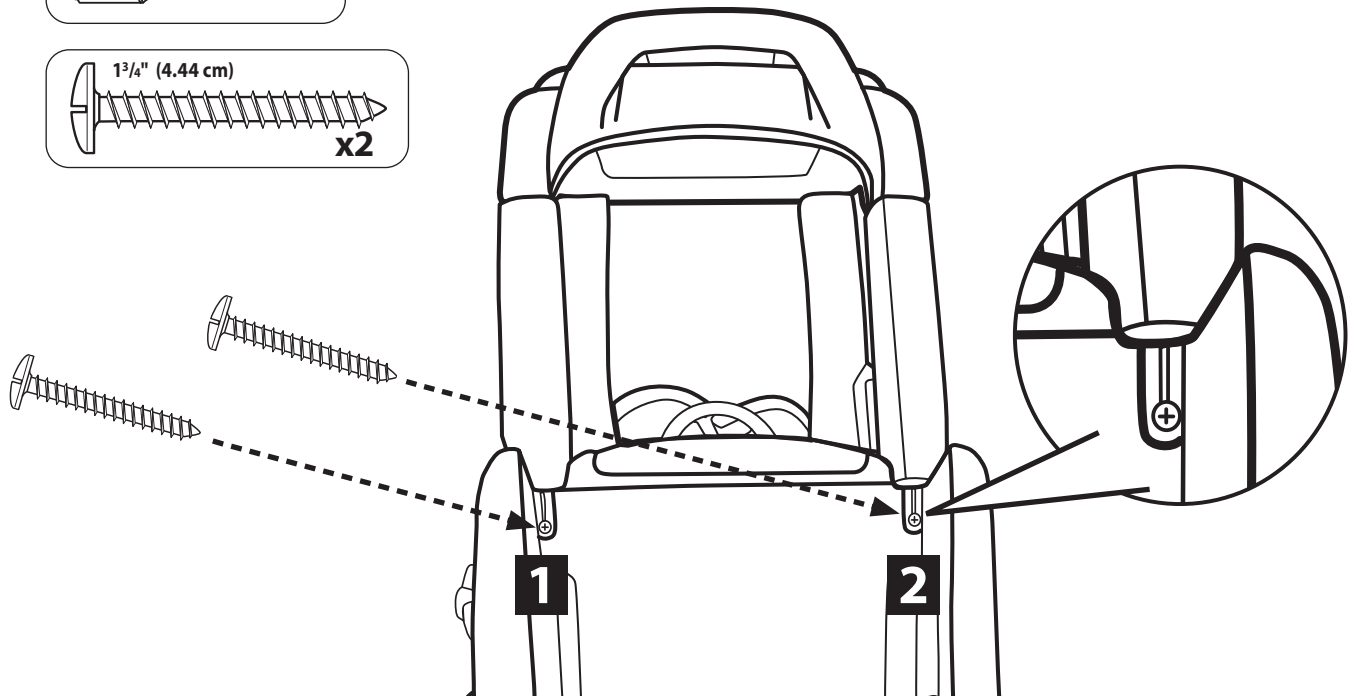
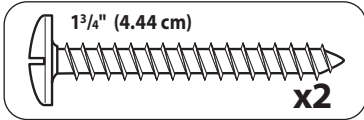
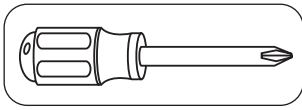


Press down firmly on both FRONT pillars to lock roof and door into place.

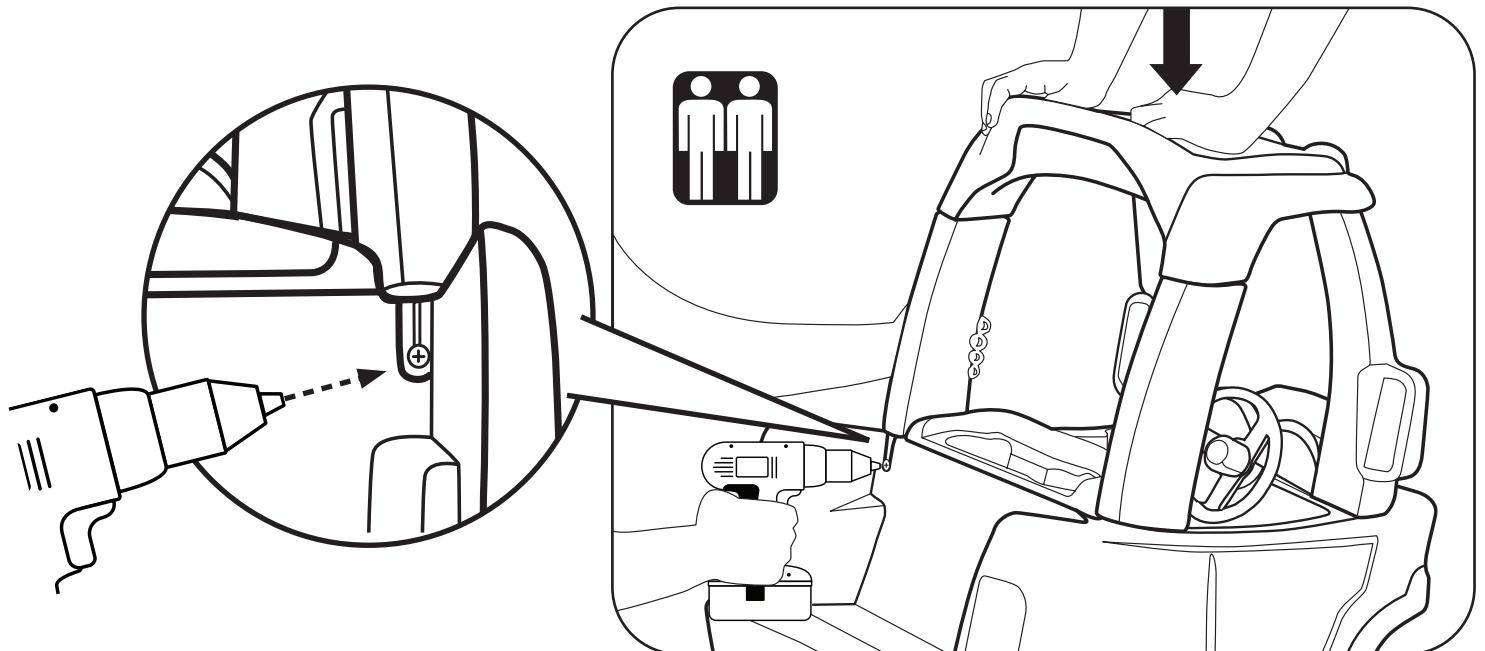


If the door is loose or falling out - check to be sure the front pillar is all the way seated into the body and over the door. There should be NO gaps.

8c Rear pillars-get attached



Person 1: Hold down roof assembly.
Person 2: Secure using (2) 1 3/4" (4.44 cm) screws.



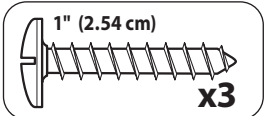
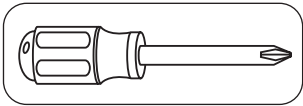
9 Grill on the front...tailgate in the back

First, turn the truck over and rest it on the roof.
Attach grill (part G) to the body (part A).

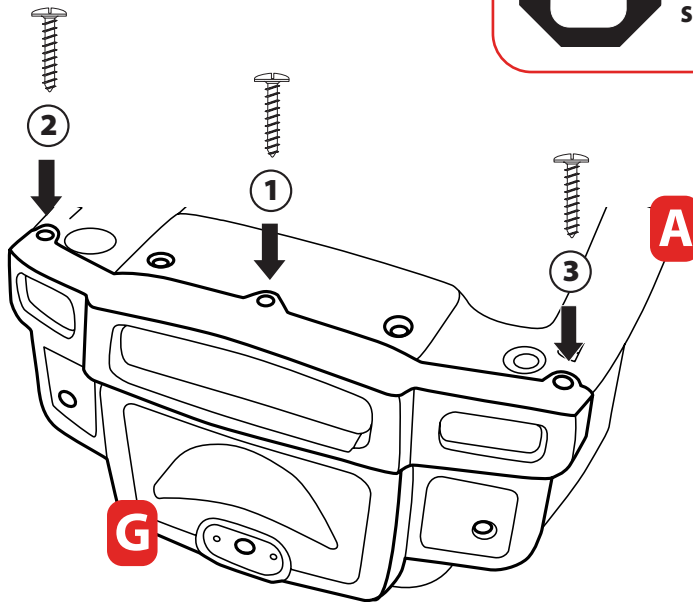


Logo plate **MUST BE**
installed **ONLY AFTER**
screws have been installed

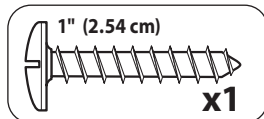
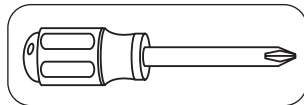
1



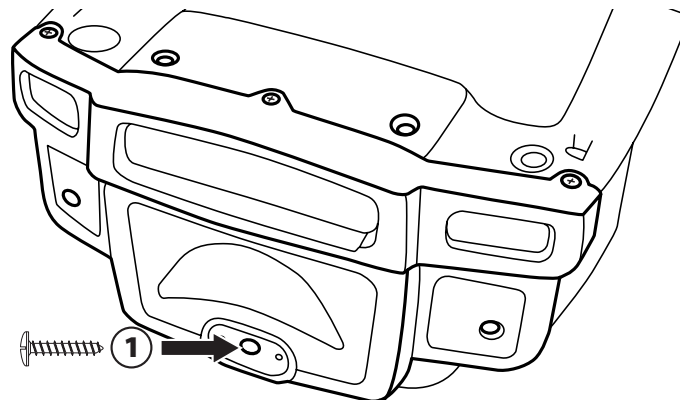
Secure using (3) 1" (2.54 cm) screws.



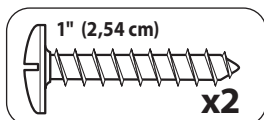
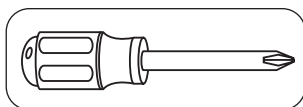
2



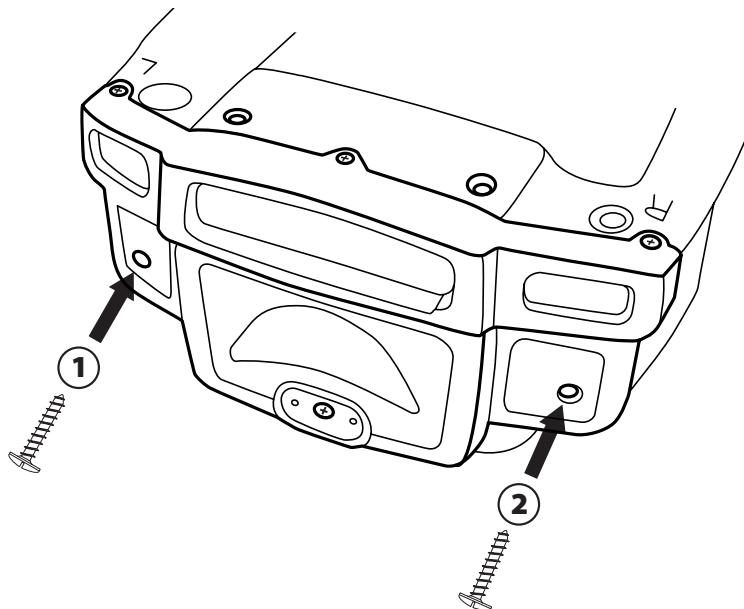
Secure using (1) 1" (2.54 cm) screws.



3



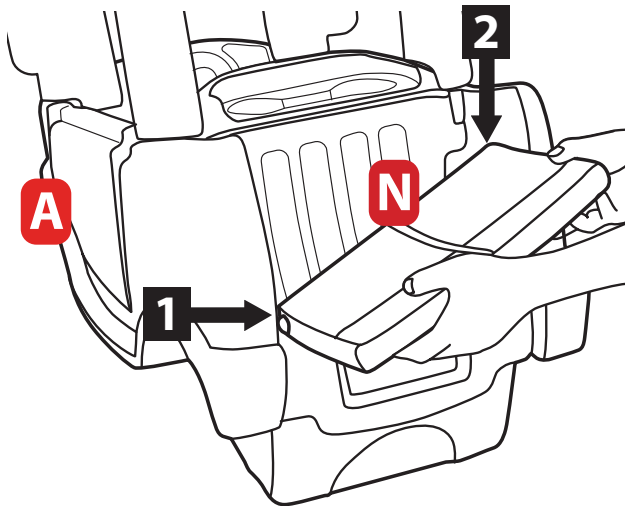
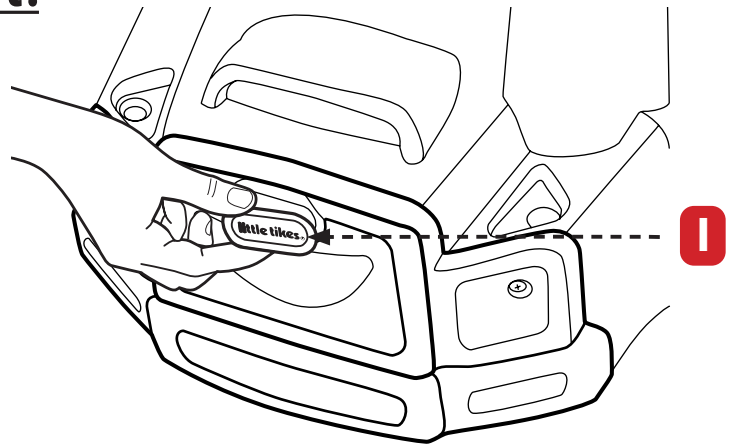
Secure using (2) 1" (2.54 cm) screws.



9 Grill & Tailgate...cont.

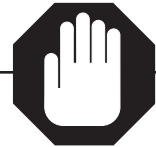


- 4** **FLIP TRUCK UPRIGHT**
THEN, push Little Tikes logo (part I) into the grill.

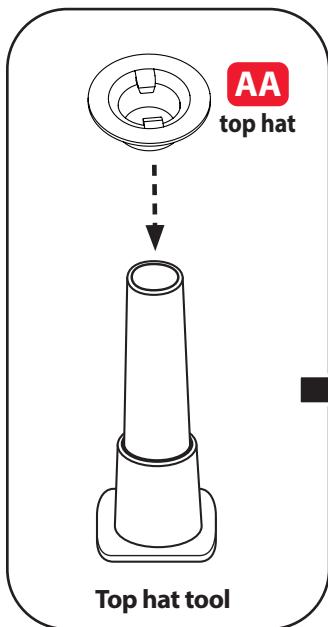


Attach one side of tailgate (part N) into body (part A). Then press in the other side.

10 REAR wheels - give it a good hit!

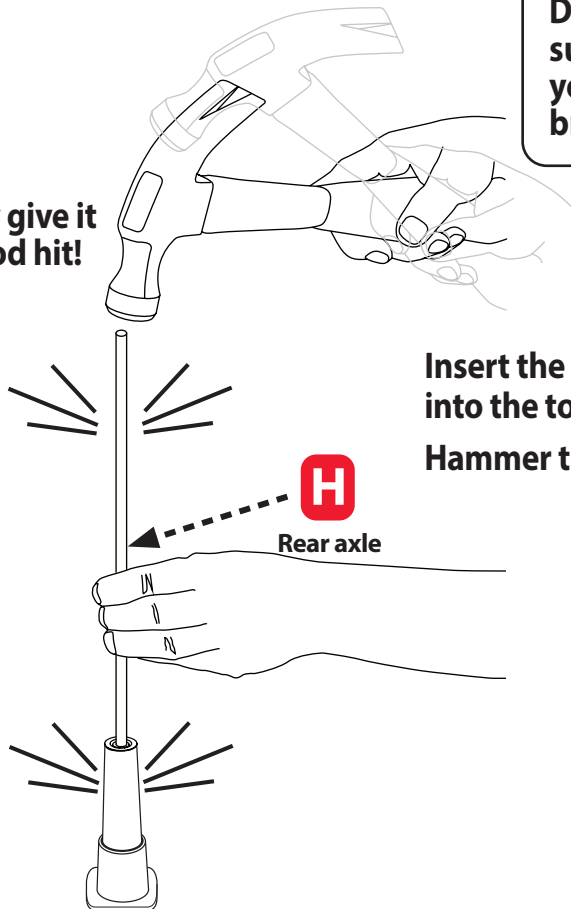


Do not hammer on surfaces or items you don't want to break, mark or dent.



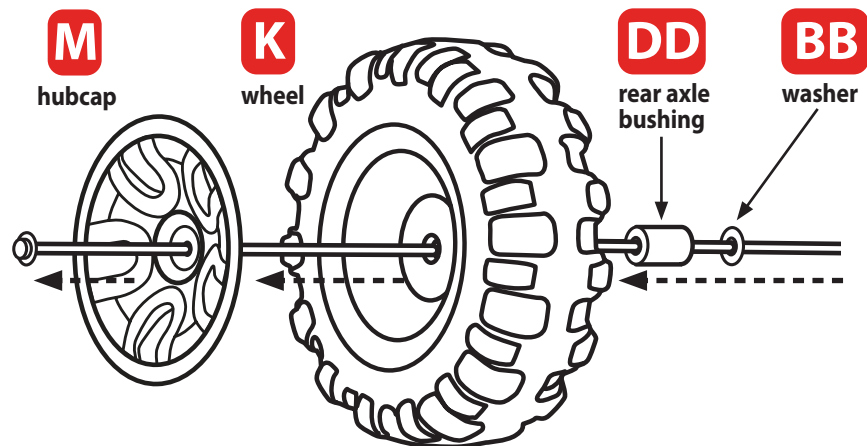
Place (1) top hat (part AA) into top hat tool.

Really give it a good hit!

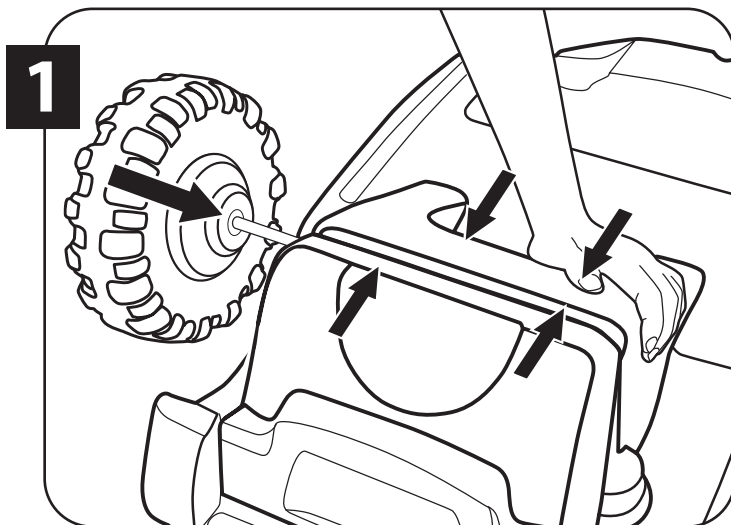


Insert the rear axle (part H) into the top hat.
Hammer the axle into the top hat.

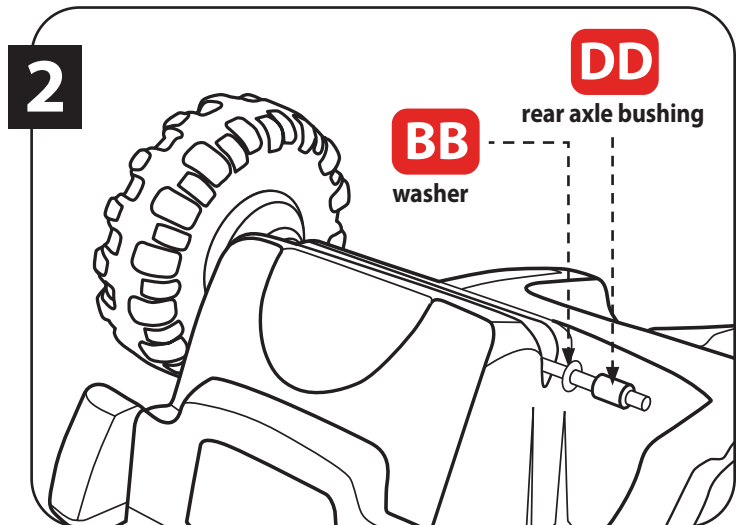
10a REAR wheels...get into the groove



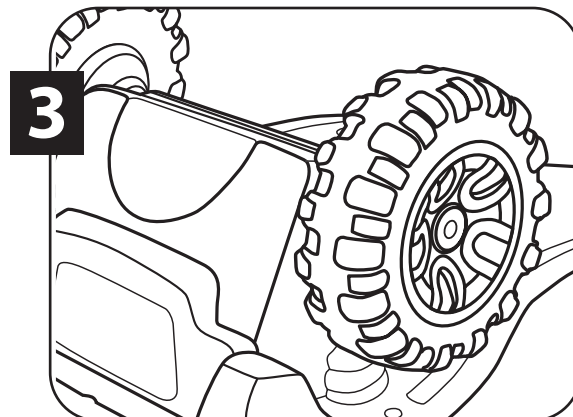
Slide onto rear axle (1) hubcap (M), (1) wheel (K), (1) rear axle bushing (DD) and (1) washer (BB).



Slide assembled axle through rear axle guides.



Slide (1) washer (BB) then (1) rear axle bushing (DD)



Slide wheel (K), then hubcap (M) onto axle.

10b REAR wheels...last step.

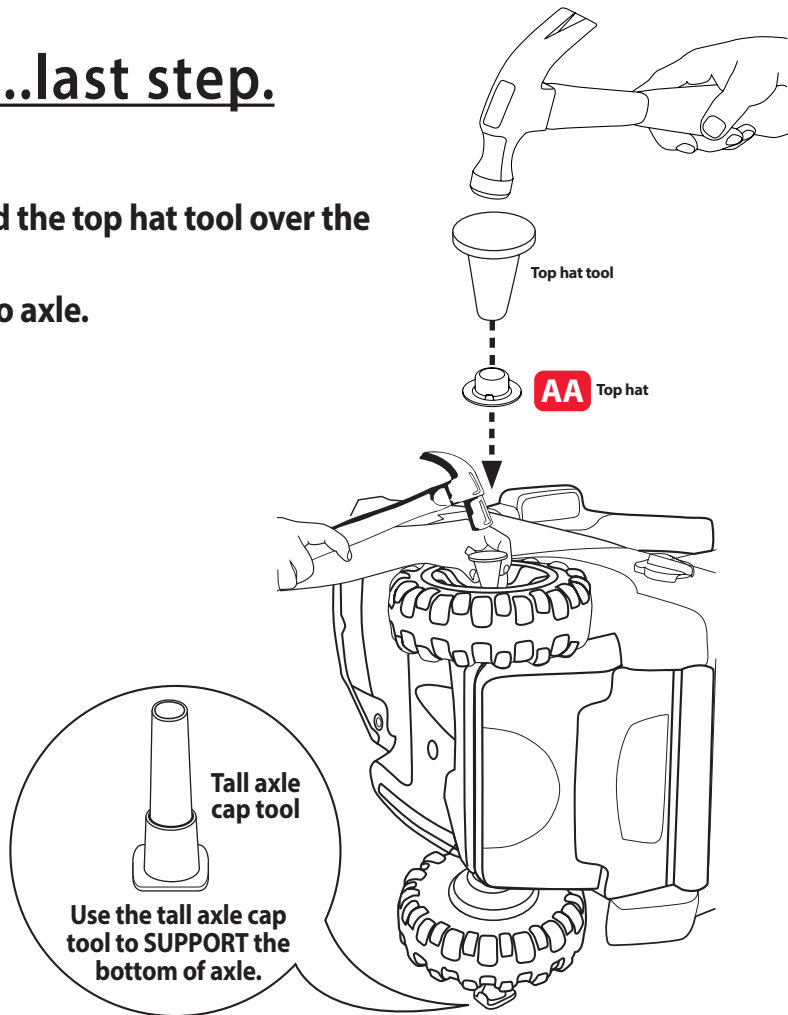
Flip the truck on its side.

Place (1) top hat (AA) and the top hat tool over the OPEN end of the axle.

Hammer the top hat onto axle.



Do not hammer on surfaces or items you don't want to break, mar or dent.



Use the tall axle cap tool to SUPPORT the bottom of axle.

11 FRONT wheels...check your axles



Axles are NOT IDENTICAL.

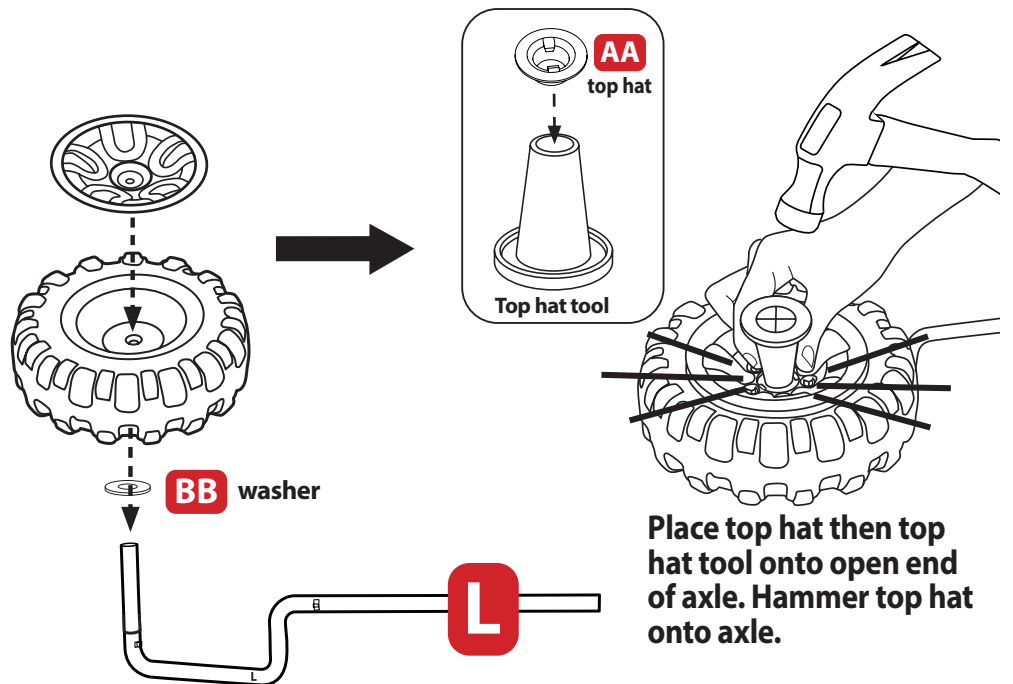
Left

L

Right

R

NOTE: Distance from end to the notch on the "Left" axle is less than the notch on the "Right" axle.

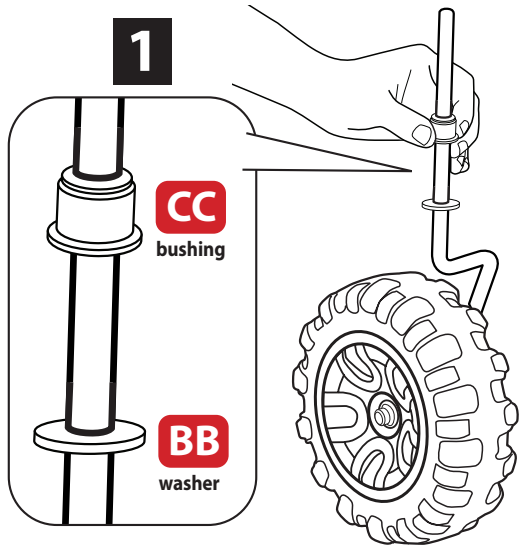


Place top hat then top hat tool onto open end of axle. Hammer top hat onto axle.

Slide onto LEFT front axle (L)
(1) washer (BB), (1) wheel and (1) hubcap.

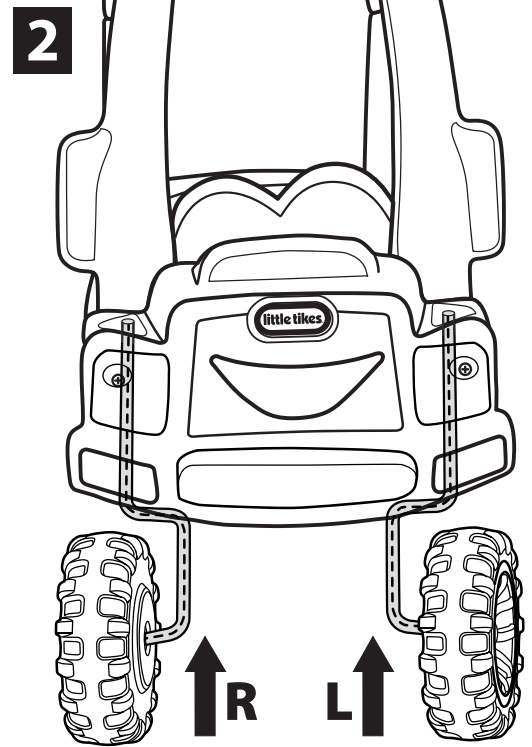
REPEAT these steps for RIGHT front axle

11a FRONT wheels...rolling along



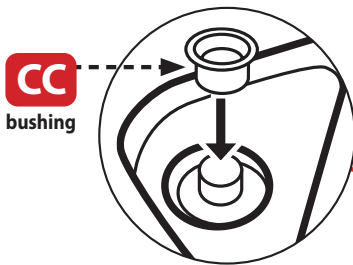
First, slide washer (BB), then bushing (CC) onto assembled right axle. REPEAT on left side.

Then, insert FRONT wheels and axles.

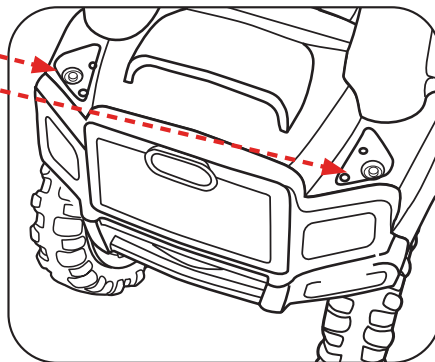


Insert axle "R"
(for right) into body.

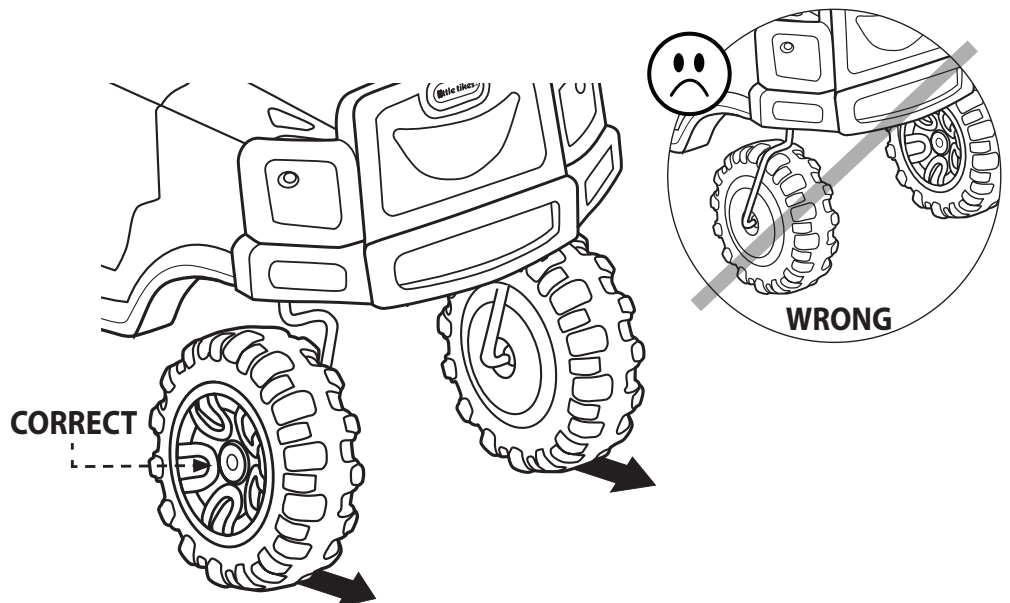
Insert axle "L"
(for left) into body.



3 Insert bushing (CC) onto each axle and push in place



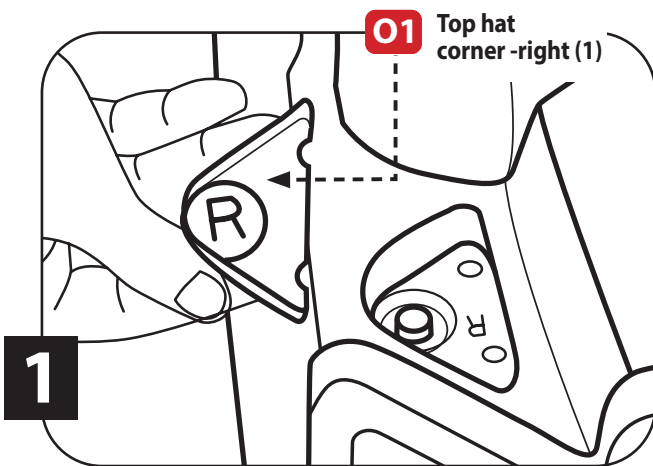
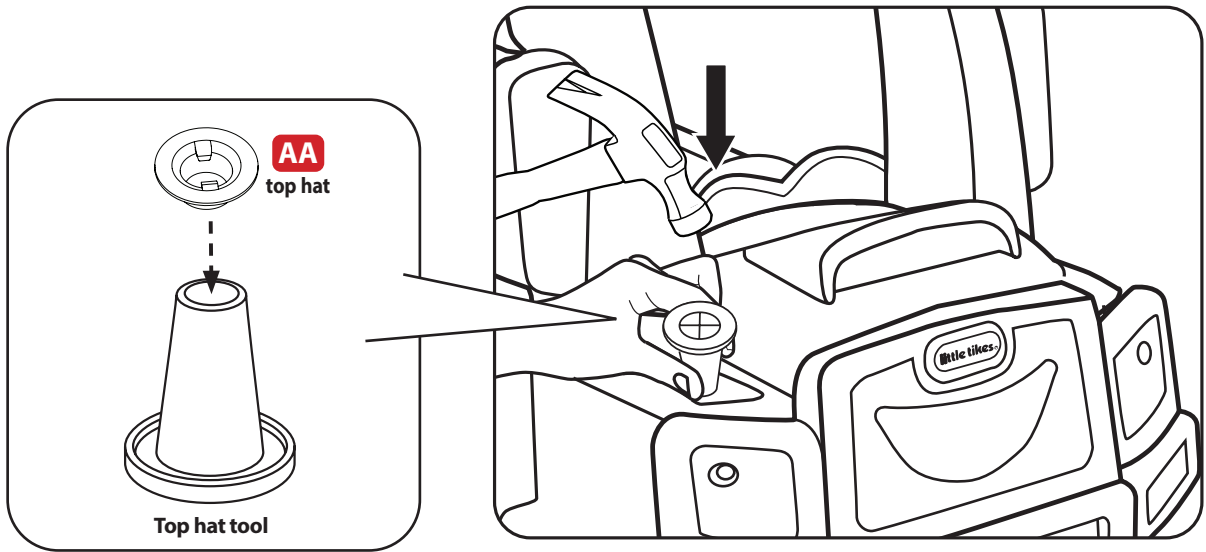
STOP
IMPORTANT! Check axle positions - roll the Cozy Truck forward - HUBCAPS SHOULD BE FACING OUTWARD.



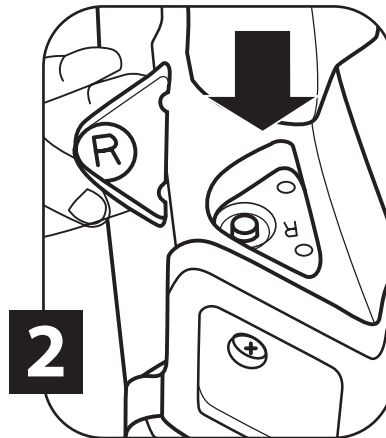
11b

FRONT wheels...almost there

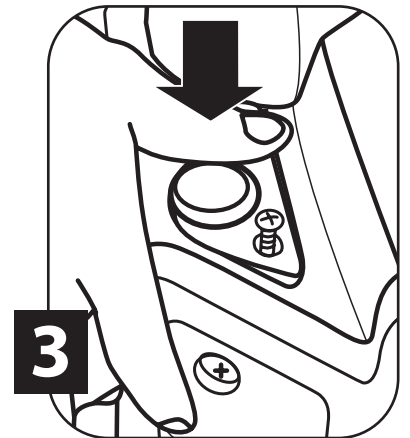
Hammer (1) top hat (AA) onto each end of exposed RIGHT and LEFT axles.



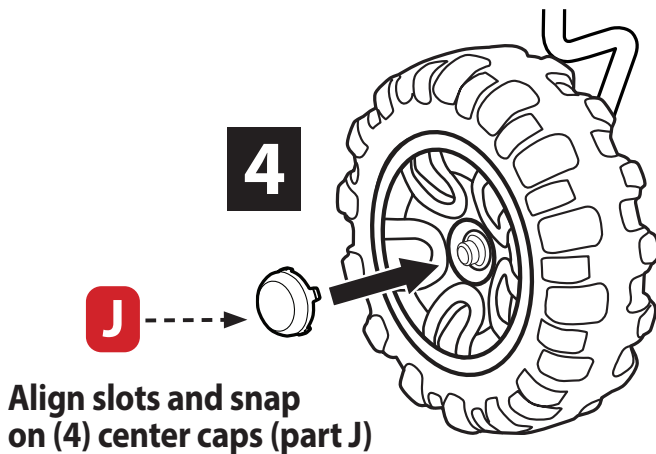
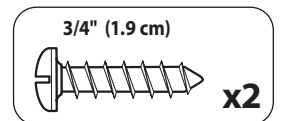
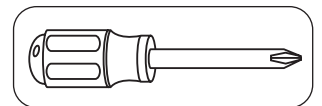
Match right "R" (part O1) top hat corners and left "L" (part O2) top hat corners to the correctly marked sides of the truck.



Insert and press into place.



Secure using (1) 3/4" (1.9 cm) screws.

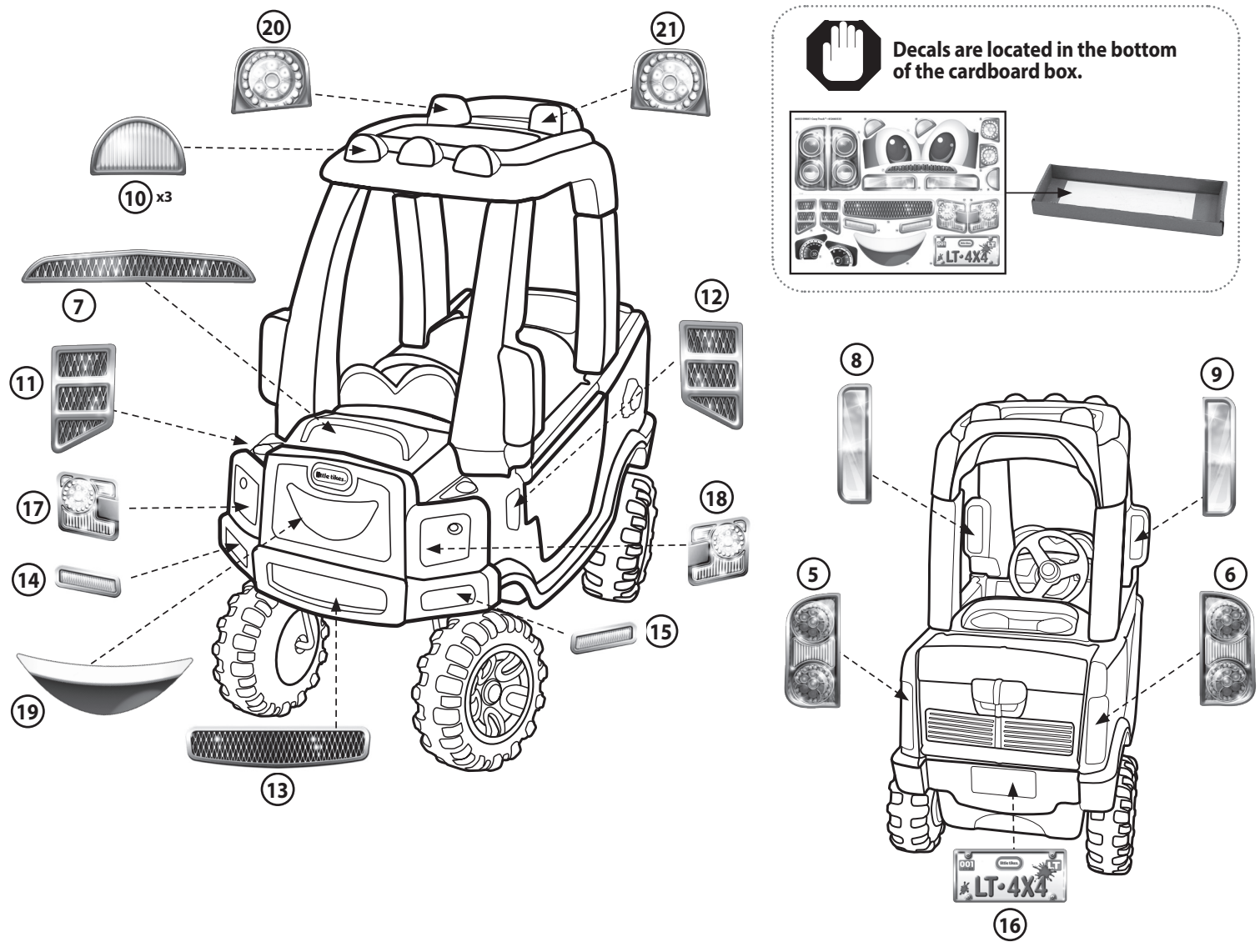


Align slots and snap on (4) center caps (part J)

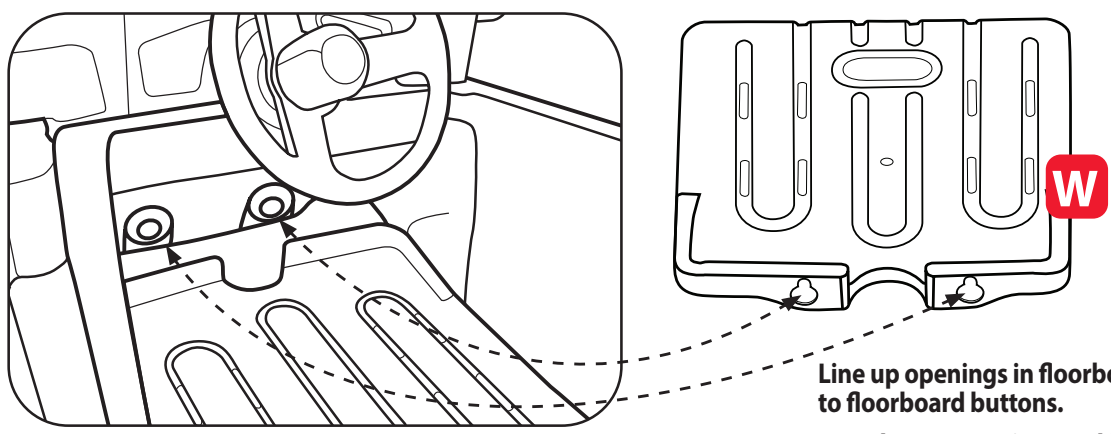
**REPEAT these steps
for LEFT side**

12 LAST STEP...let's finish with the decals!

Decals must be applied to a clean, dry surface. Wipe clean with a dry rag before application. Remove air from under decals by applying pressure to the decals starting from the center, and work towards edges. NOTE: If decals bubble, prick with a pin to remove the air.



For parent controlled push rides, install the floorboard.



Line up openings in floorboard (part W) to floorboard buttons. Once buttons are inserted into floorboard, push down to secure in place.