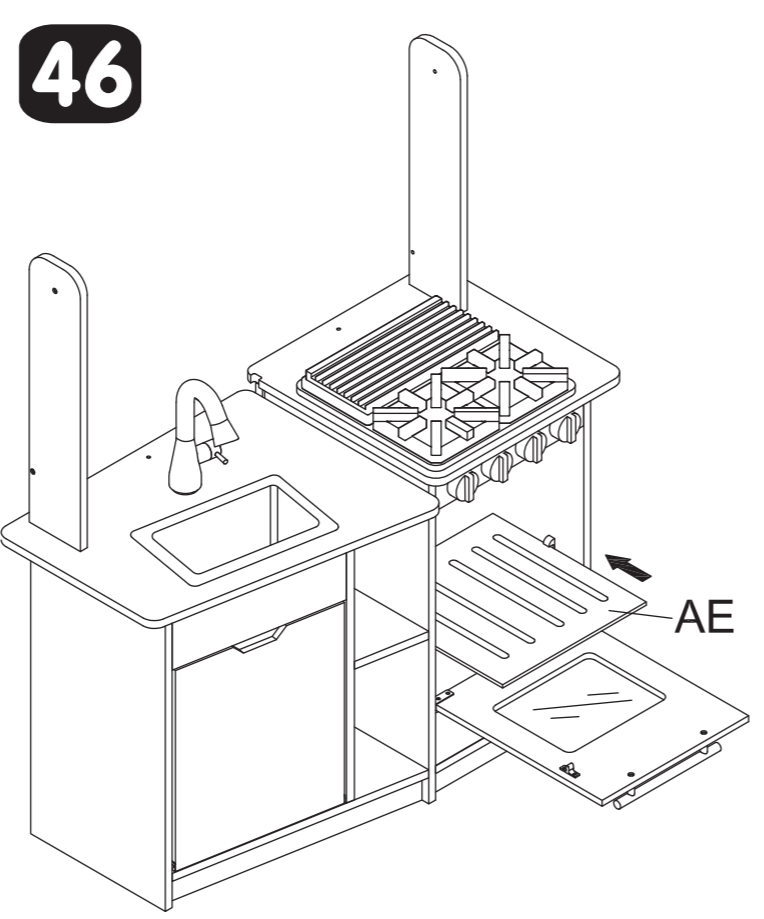
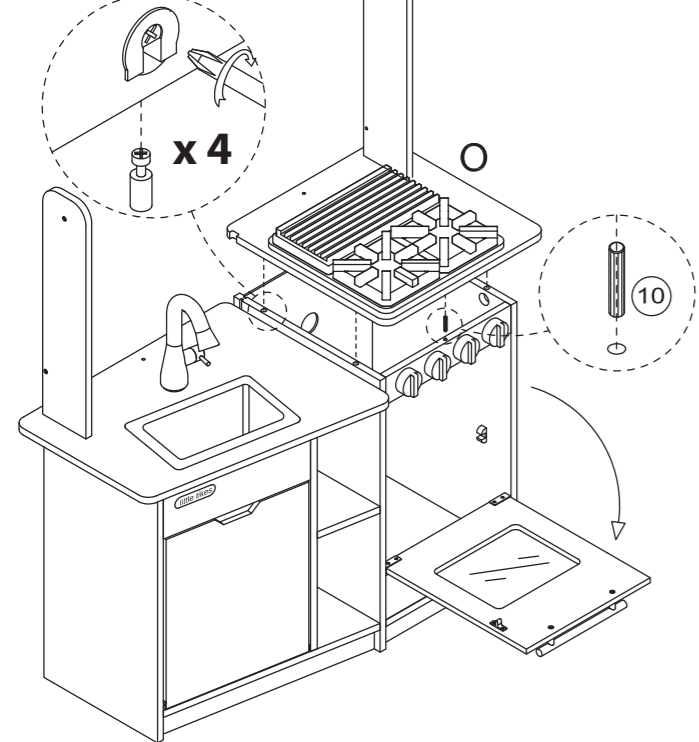

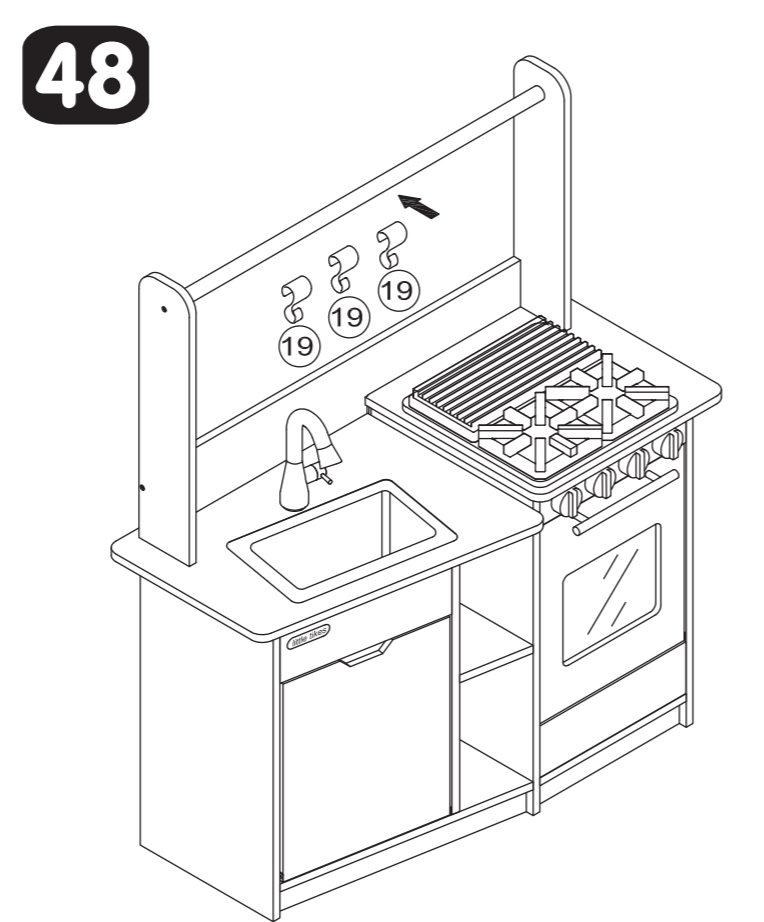
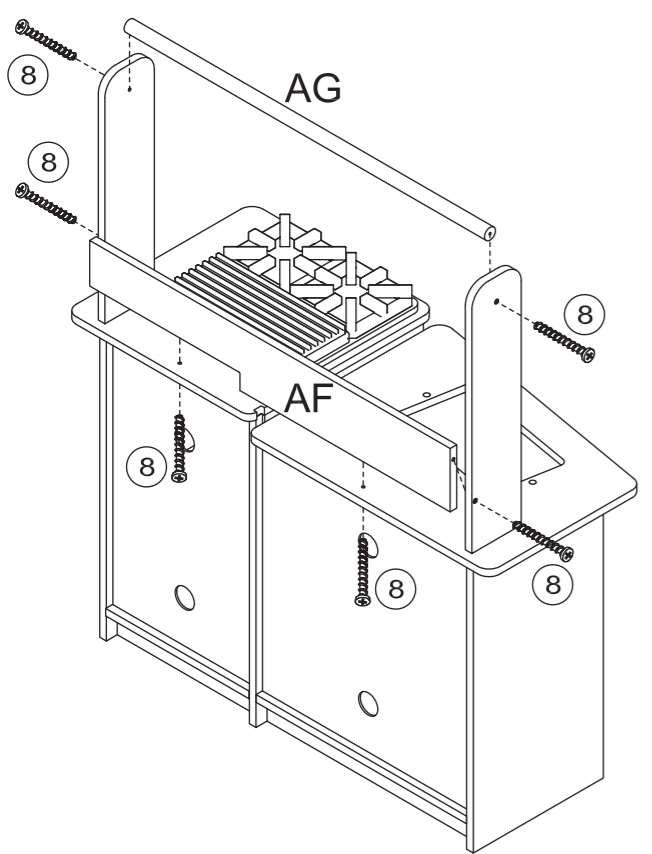


**45** (10) x 1 

ASSEMBLY TIP: Using a small screwdriver, screw the hardware from inside the oven.



**47** (8) x 6 



# Classic Cook's Kitchen with Island

SKU: 659997

AGES 3-8  
ADULT ASSEMBLY REQUIRED  
ADULT BATTERY INSTALLATION REQUIRED

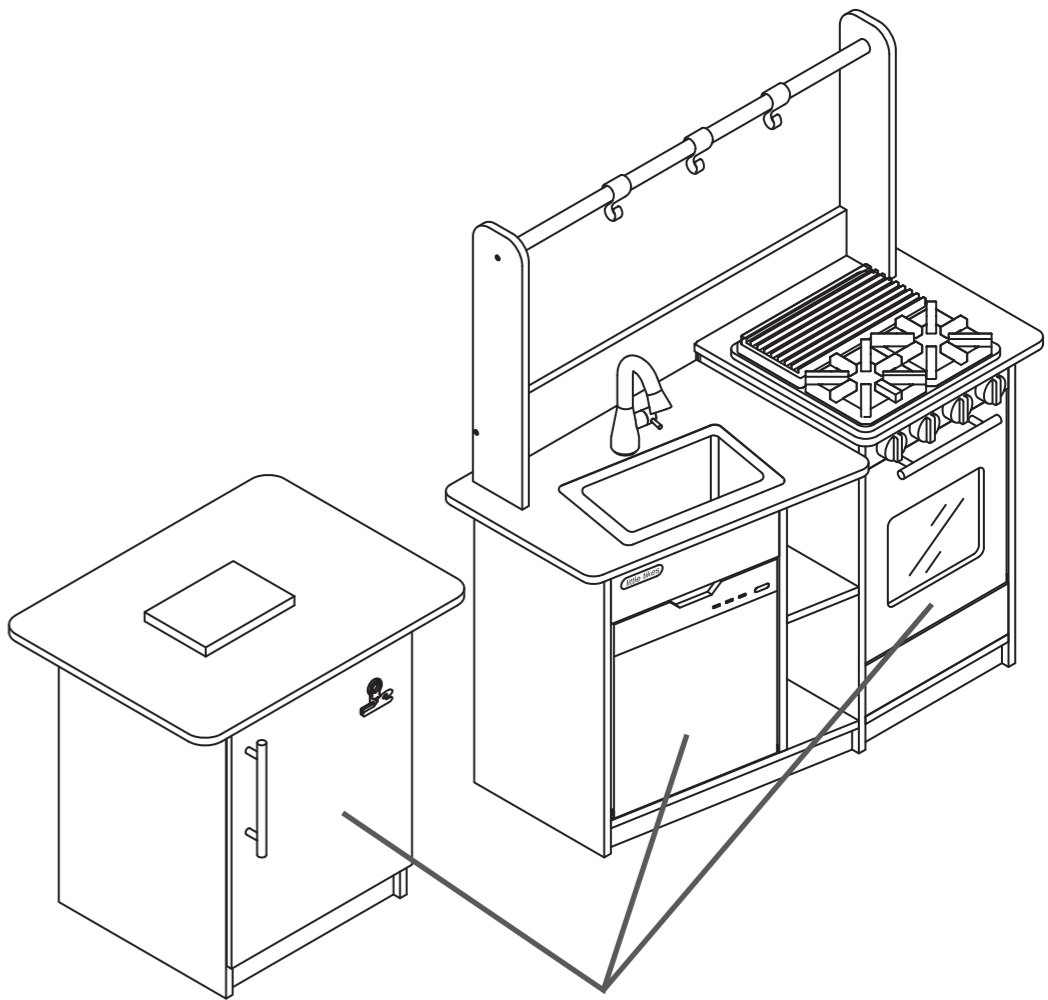
## ASSEMBLY INSTRUCTIONS



TOOLS REQUIRED:  
(not included)  
2 Phillips Screwdrivers



FOR ASSEMBLY VIDEO:



**FUN FEATURES!**

- Refrigerator, Dishwasher, and Oven doors open!
- Oven shelf slides in and out.

**Thank you for choosing the Little Tikes® Classic Cook's Kitchen with Island.**  
We strive to provide a durable, easy-to-assemble toy that is made to last, giving your child years of imaginative, engaging fun!

# IMPORTANT INFORMATION YOU SHOULD KNOW!

- Read through all the instructions first.
- Clear a flat surface to lay out all the materials so that everything is close at hand.
- Illustrations are for reference only. Styles may vary from actual contents.
- Please remove all packaging including tags, ties & tacking stitches before giving this product to a child.
- **Make sure you have all contents before assembling. If anything is missing or if you have questions, we're here to help. Give our consumer service team a call at 1-800-321-0183.**

## Let's be careful!

### ⚠ WARNING!

- ADULT ASSEMBLY REQUIRED.
- Prior to assembly, this package contains small parts: hardware which is a choking hazard and may contain sharp edges and sharp points. Keep away from children until assembled.
- Please keep this manual as it contains important information.
- This product is intended for indoor use only.
- This product is intended for use by children ages 3-8.
- Place on flat, level surfaces free of objects that could cause the toy to tip over. Also, place out of the way of household traffic.
- Never use near staircase, steps, pools, hot surfaces, or areas that may be hazardous to a child.
- Do not use if damaged or broken.
- Follow the instruction step by step to assemble the product correctly, potential hazards may resulting from incorrect assembly.

## IMPORTANT ASSEMBLY INFORMATION!

To ensure the metal nuts are locked in place, make sure to:

1. Rotate 180° when locking the metal nuts (Fig. 1).
2. After rotating 180°, the line should be aligned horizontally (Fig. 2).

FIG. 1

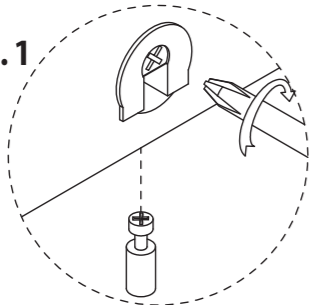
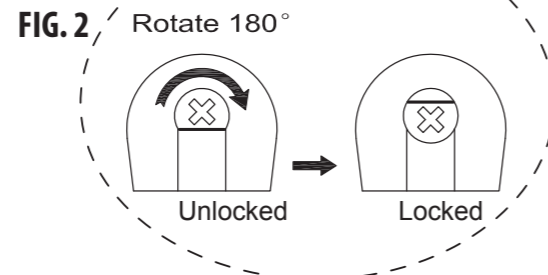


FIG. 2



© The Little Tikes Company, an MGA Entertainment company. LITTLE TIKES® is a trademark of Little Tikes in the U.S. and other countries. All logos, names, characters, likenesses, images, slogans, and packaging appearance are the property of Little Tikes.

Printed in China  
0422-0-E/INT

### CONSUMER SERVICE

**Little Tikes Consumer Service**  
www.littletikes.com  
2180 Barlow Road  
Hudson, Ohio 44236 U.S.A.  
1-800-321-0183

**MGA Entertainment UK Ltd.**  
www.littletikes.co.uk  
50 Presley Way, Crownhill, Milton  
Keynes, MK8 0ES, Bucks, UK  
support@LittleTikesStore.co.uk  
Tel: +0 800 521 558

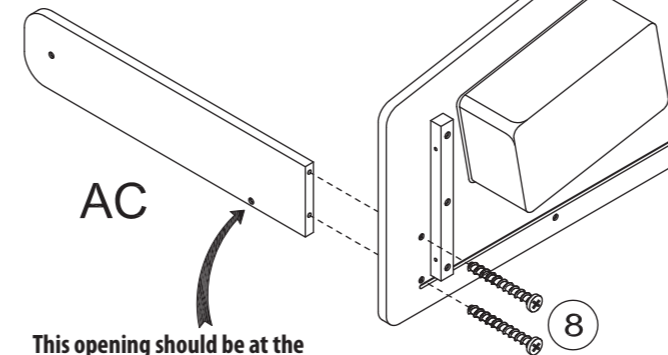
**MGA Entertainment (Netherlands) B.V.**  
Baronie 68-70  
2404 XG Alphen a/d Rijn  
The Netherlands  
Tel: +31 (0) 172 758038

**Imported by MGA Entertainment  
Australia Pty Ltd**  
www.littletikes.com.au  
Suite 2.02, 32 Delhi Road  
Macquarie Park NSW 2113  
1300 059 676

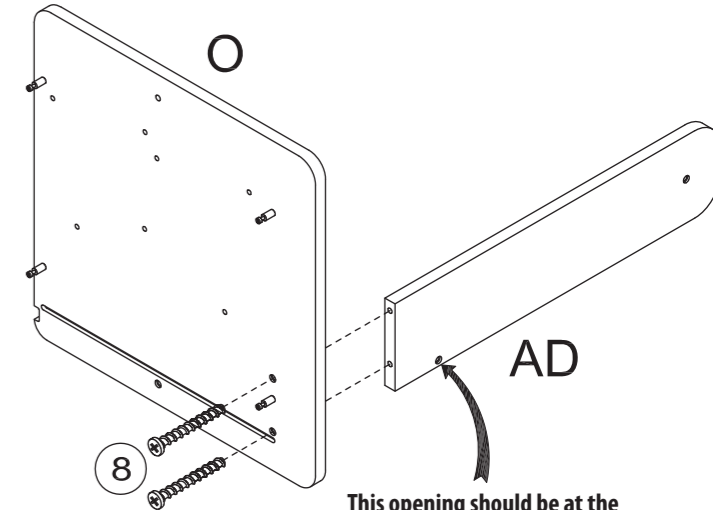
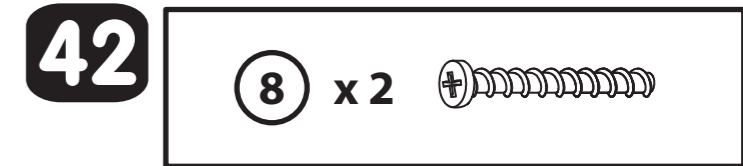


### LIMITED WARRANTY

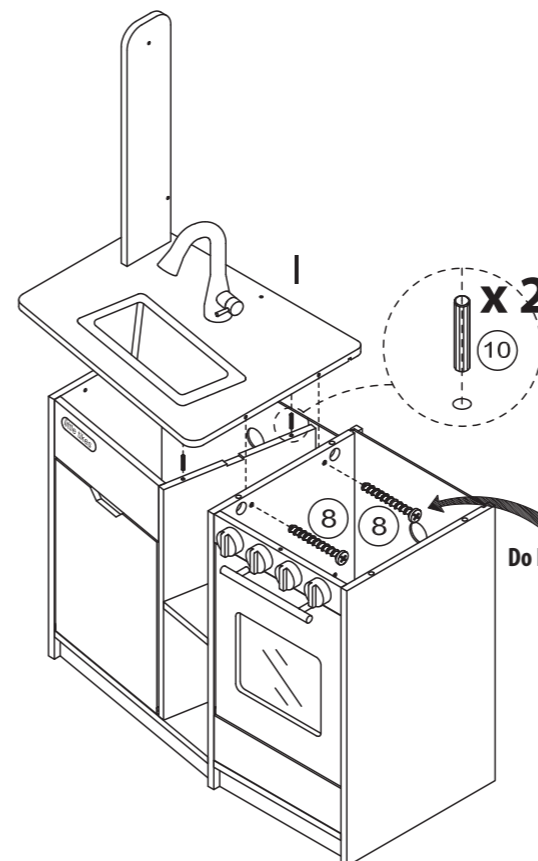
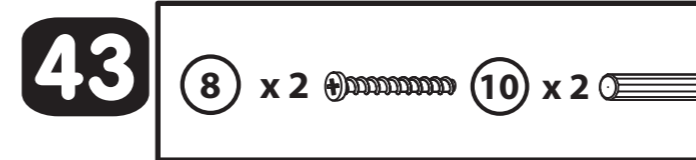
The Little Tikes Company makes fun, high quality toys. We warrant to the original purchaser that this product is free of defects in materials or workmanship for one year\* from the date of purchase (dated sales receipt is required for proof of purchase). At the sole election of The Little Tikes Company, the only remedies available under this warranty will be the replacement of the defective part or replacement of the product. This warranty is valid only if the product has been assembled and maintained per the instructions. This warranty does not cover abuse, accident, cosmetic issues such as fading or scratches from normal wear, or any other cause not arising from defects in material and workmanship. \*The warranty period is three (3) months for daycare or commercial purchasers.  
**U.S.A. and Canada:** For warranty service or replacement part information, please visit our website at www.littletikes.com, call 1-800-321-0183 or write to: Consumer Service, The Little Tikes Company, 2180 Barlow Road, Hudson OH 44236, U.S.A. Some replacement parts may be available for purchase after warranty expires—contact us for details.  
**Outside U.S.A. and Canada:** Contact place of purchase for warranty service. This warranty gives you specific legal rights, and you may also have other rights, which vary from country/state to country/state. Some countries/states do not allow the exclusion or limitation of incidental or consequential damages, so the above limitation or exclusion may not apply to you.



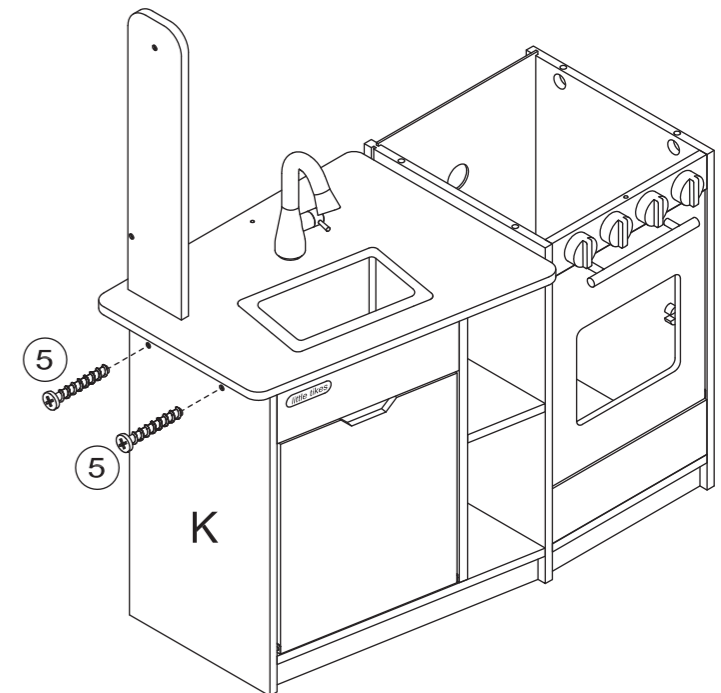
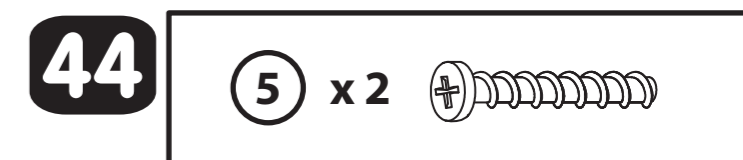
This opening should be at the bottom. Take note that the longer panel (AC) is needed for this step.

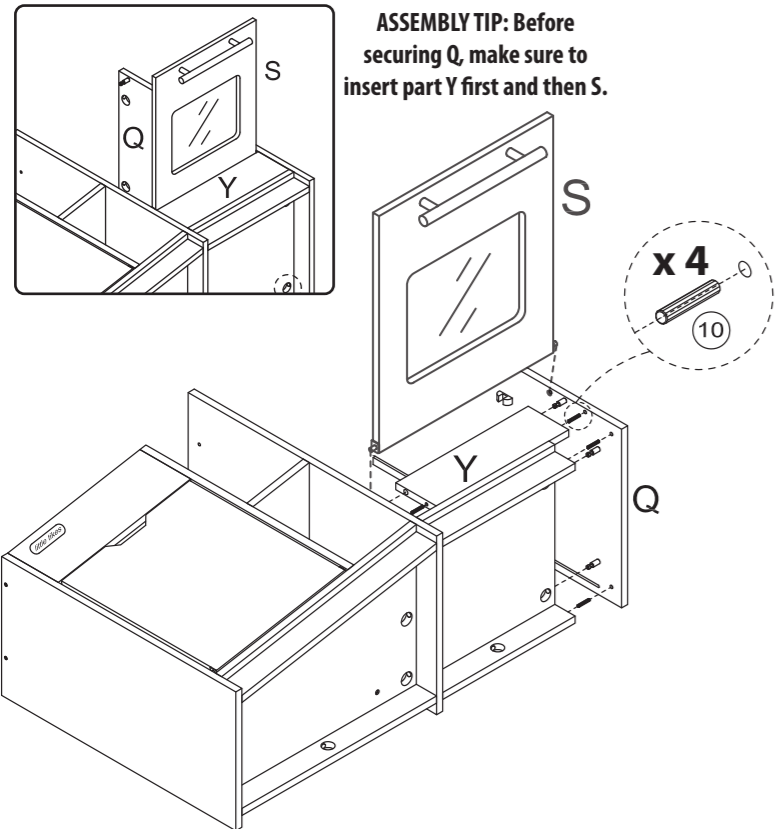
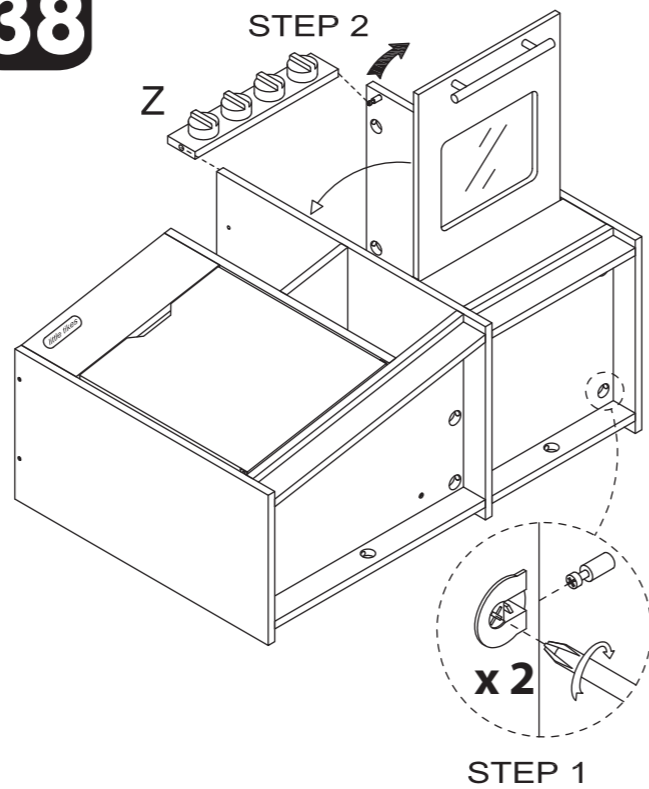
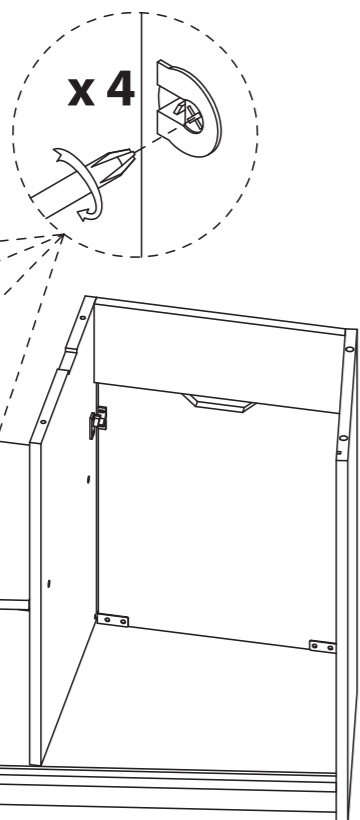
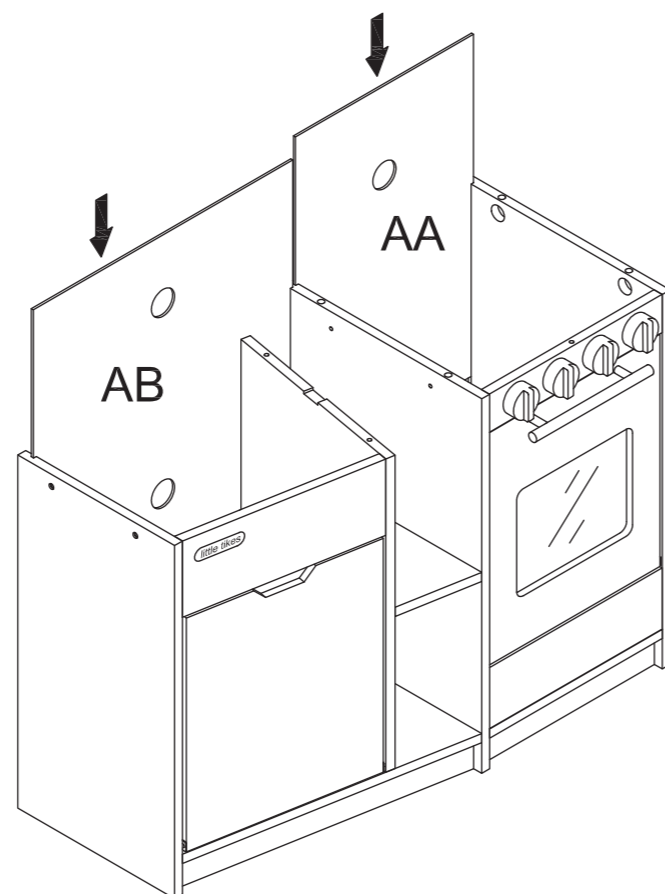


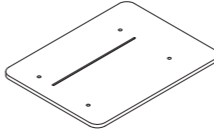
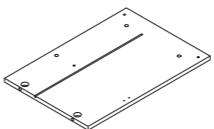
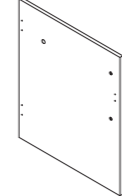
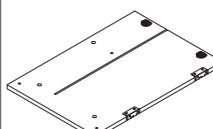
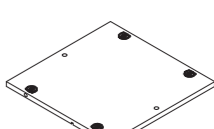
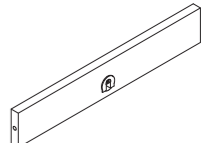
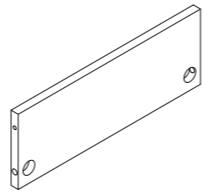
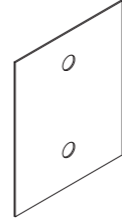
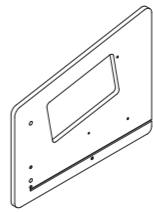

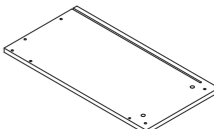
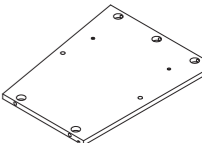
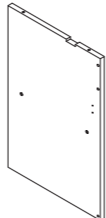
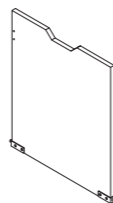
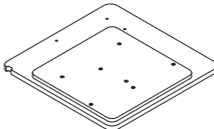
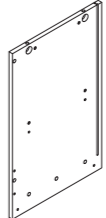
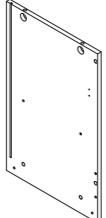
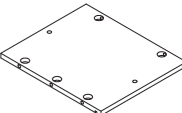
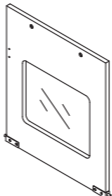
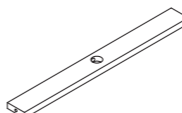
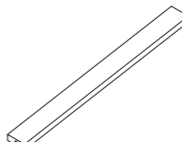

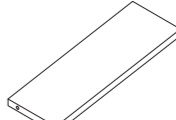
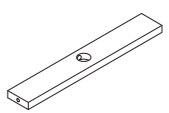

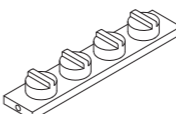
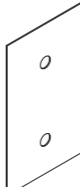
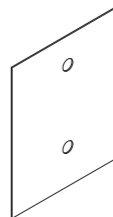


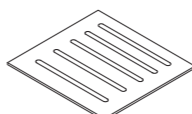
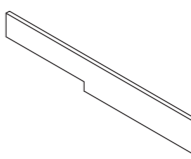
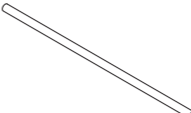
This opening should be at the bottom. Take note that the shorter panel (AD) is needed for this step.



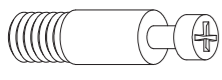
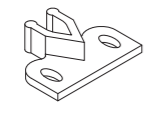
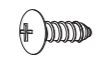
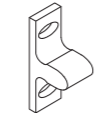


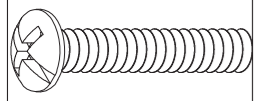

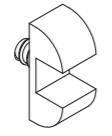


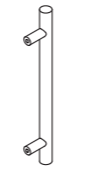
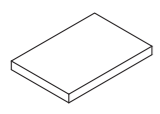


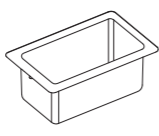
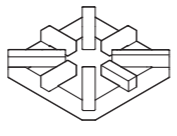
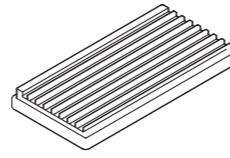
Do NOT overtighten screws (8).



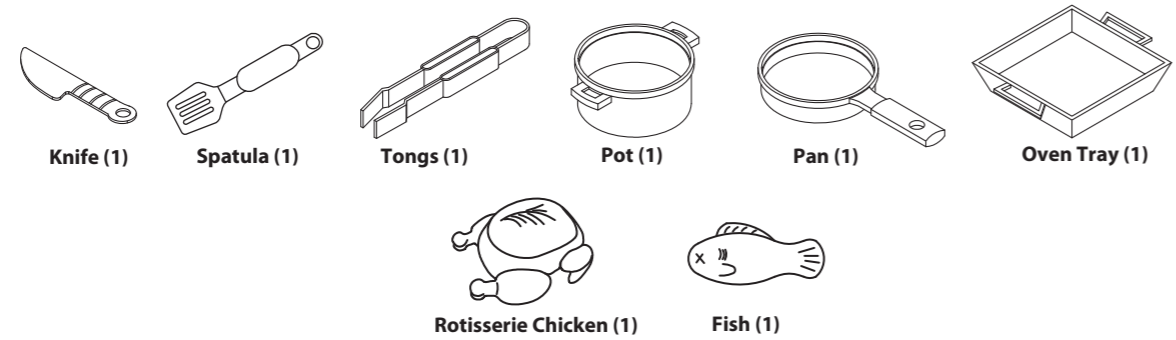
**37****10** x 4 **ASSEMBLY TIP:** Before securing Q, make sure to insert part Y first and then S.**38****39****40****CONTENTS**

A	B	C	D	E	F
					
1PC	1PC	1PC	1PC	1PC	2PCS
G	H	I	J	K	L
					
1PC	1PC	1PC	1PC	1PC	1PC
M	N	O	P	Q	R
					
1PC	1PC	1PC	1PC	1PC	1PC
S	T	U	V	W	X
					
1PC	1PC	1PC	1PC	1PC	2PCS
Y	Z	AA	AB	AC	AD
					
1PC	1PC	1PC	1PC	1PC	1PC
AE	AF	AG			
					
1PC	1PC	1PC			

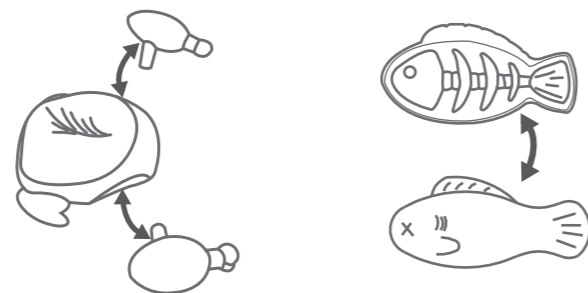
CONTENTS CONTINUED

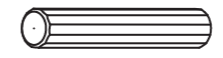
①	②	③	④	⑤	⑥
					
∅6*25mm		∅3*9mm		∅4*22mm	∅3*8mm
34PCS	3PCS	12PCS	3PCS	9PCS	6PCS
⑦	⑧	⑨	⑩	⑪	⑫
					
M6*35mm	∅4*29mm		∅5*30mm	∅4*12mm	
1PC	25PCS	4PCS	23PCS	2SET	2PCS
⑬	⑭	⑮	⑯	⑰	⑱
					
1PC	1PC	1PC	1PC	2PCS	1PC

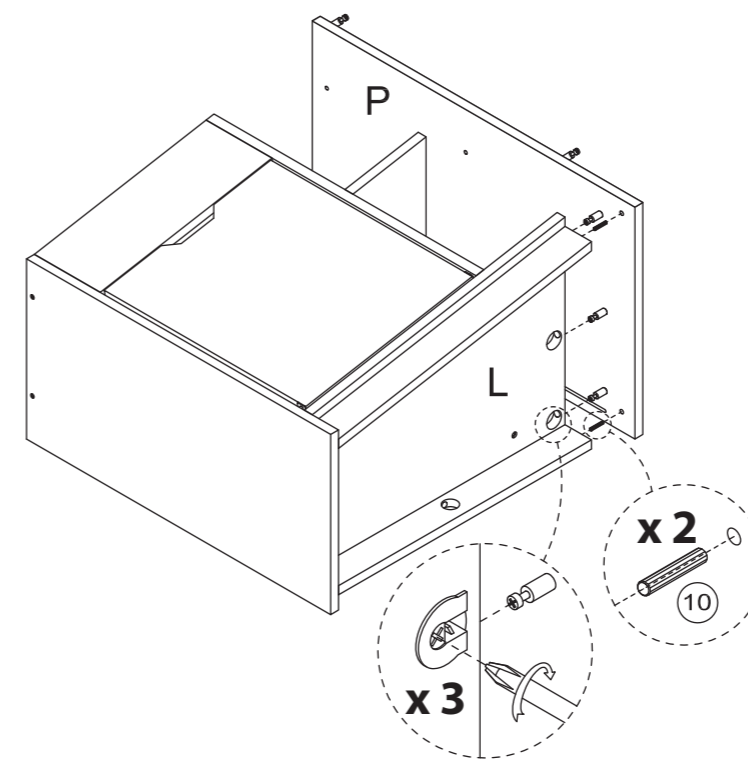
ACCESSORIES



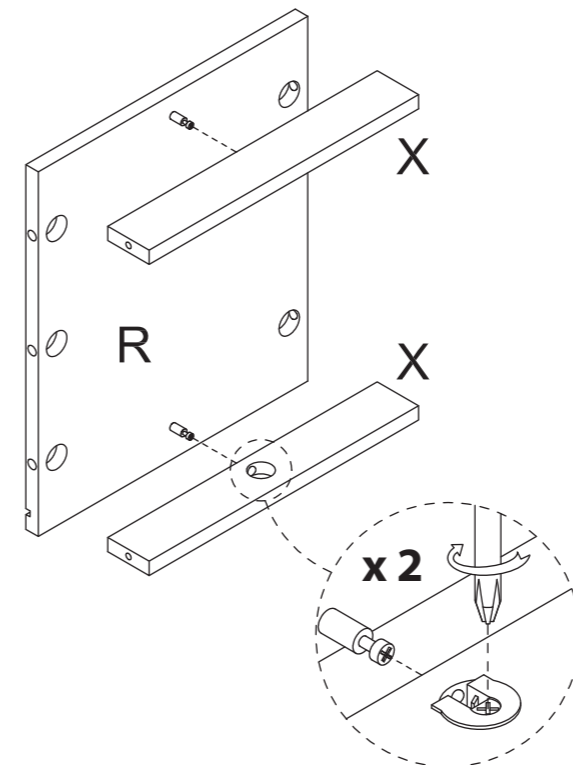
**FUN FEATURES!**  
The chicken legs and fish break apart for fun realistic play.




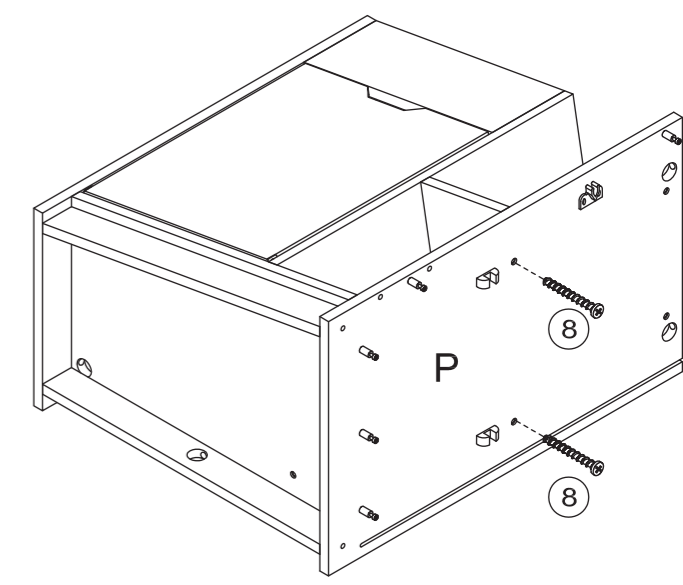
**33** ⑩ x 2 




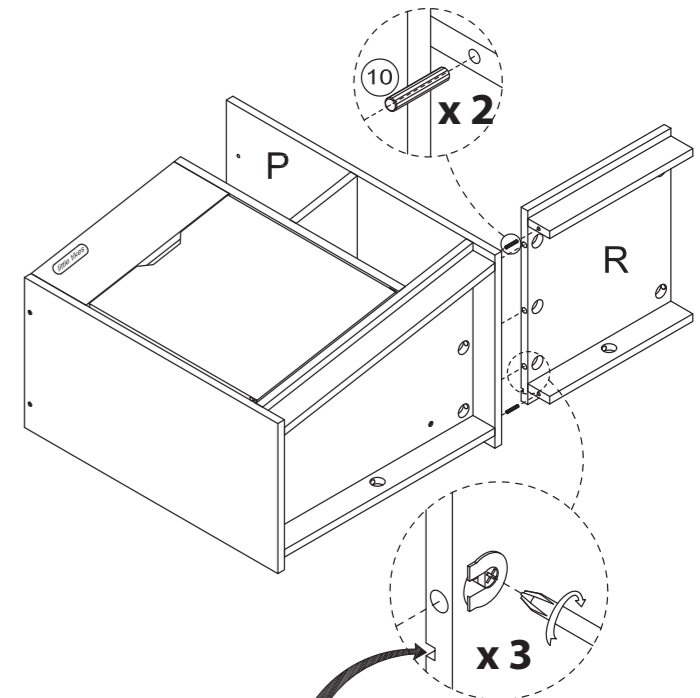
**35**



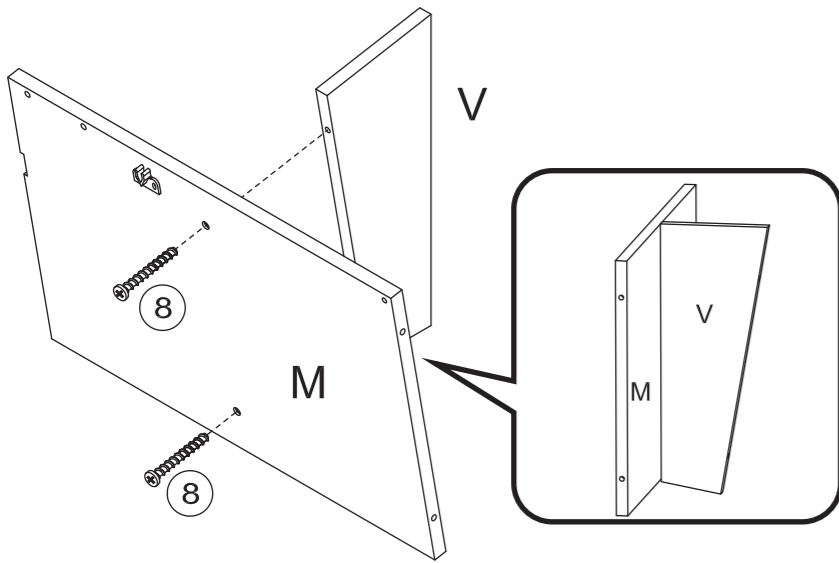
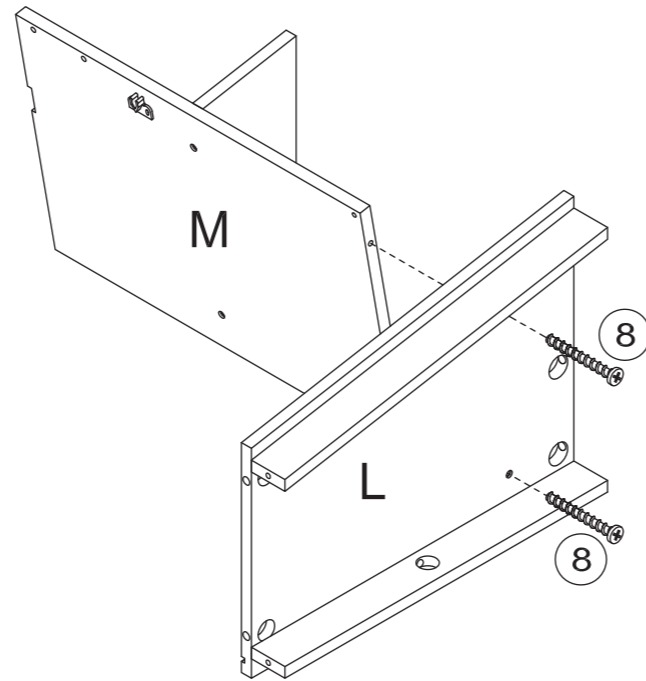

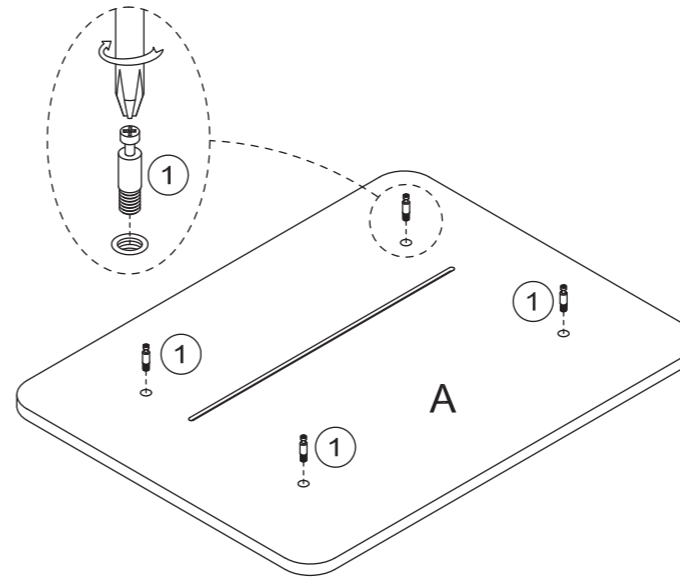
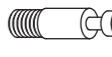
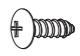
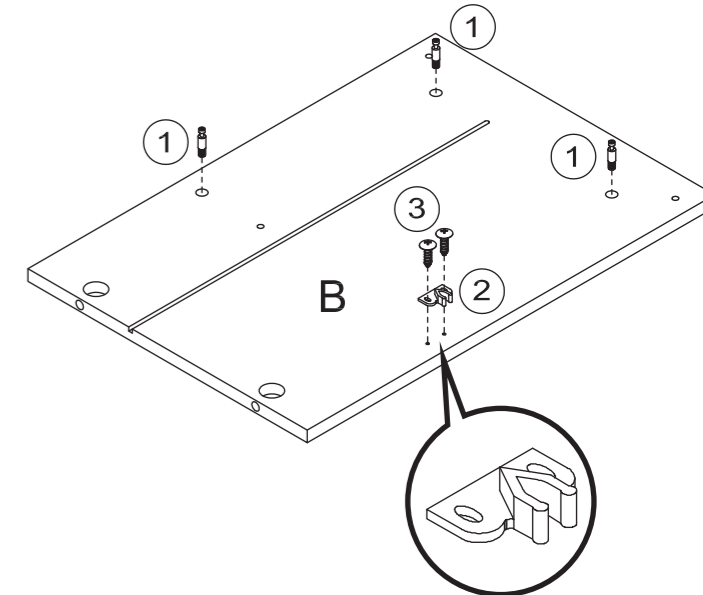

**34** ⑧ x 2 



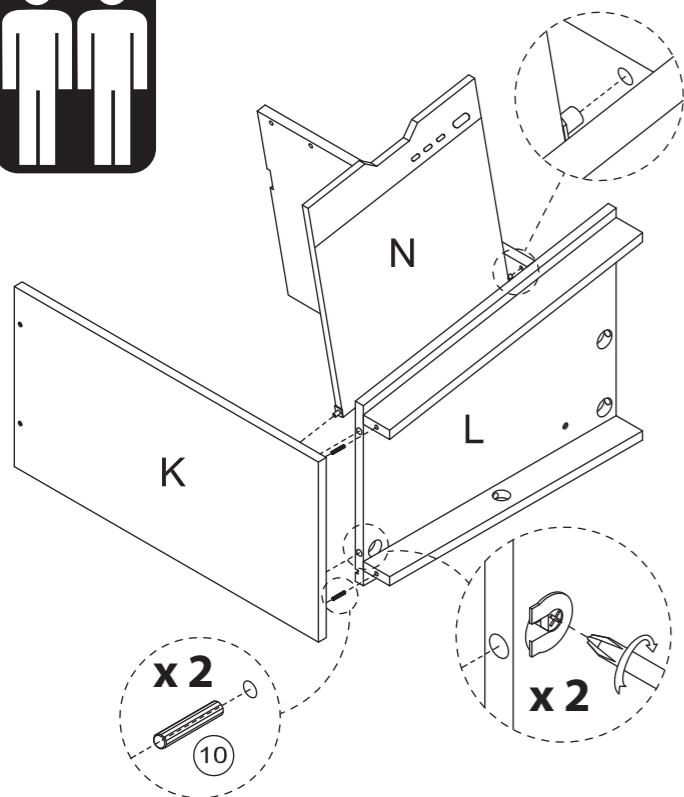
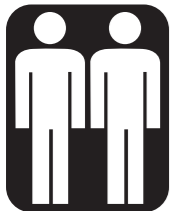
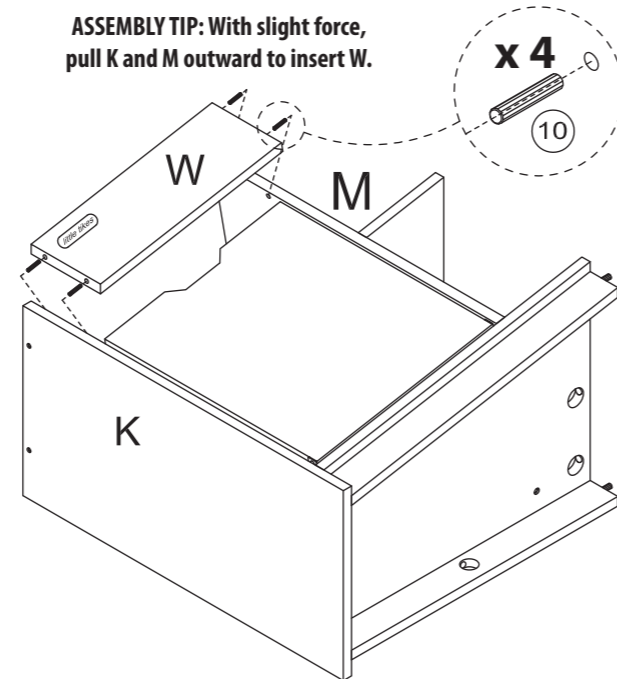
**36** ⑩ x 2 



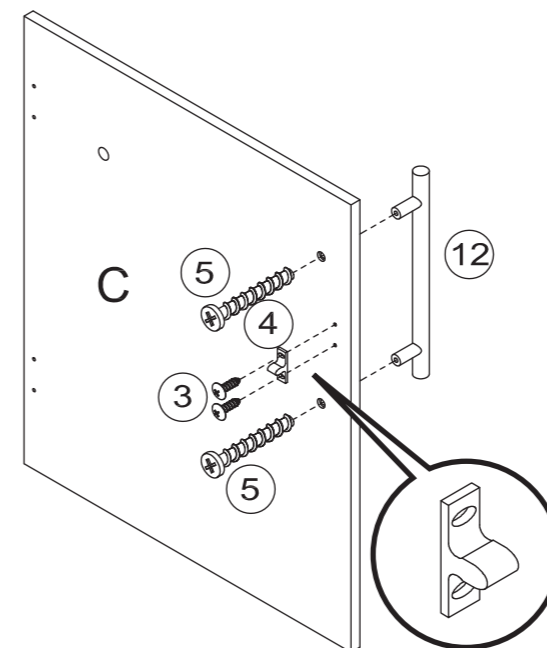
Groove must be facing inward.

**29****8** x 2 **30****8** x 2 **ASSEMBLY****1****1** x 4 **2****1** x 3   
**3** x 2  **2** x 1 

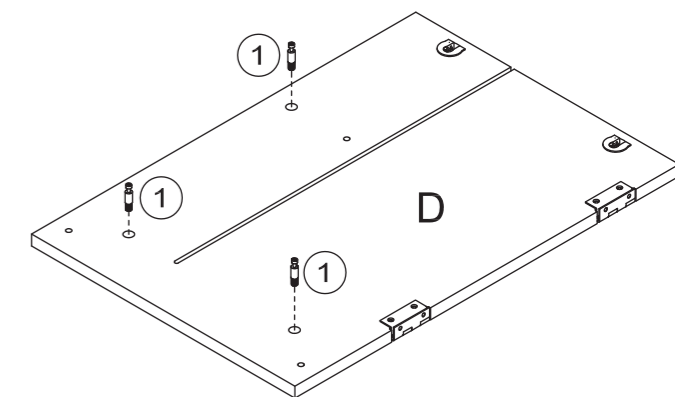
Take note that hardware (2) is needed for this step.

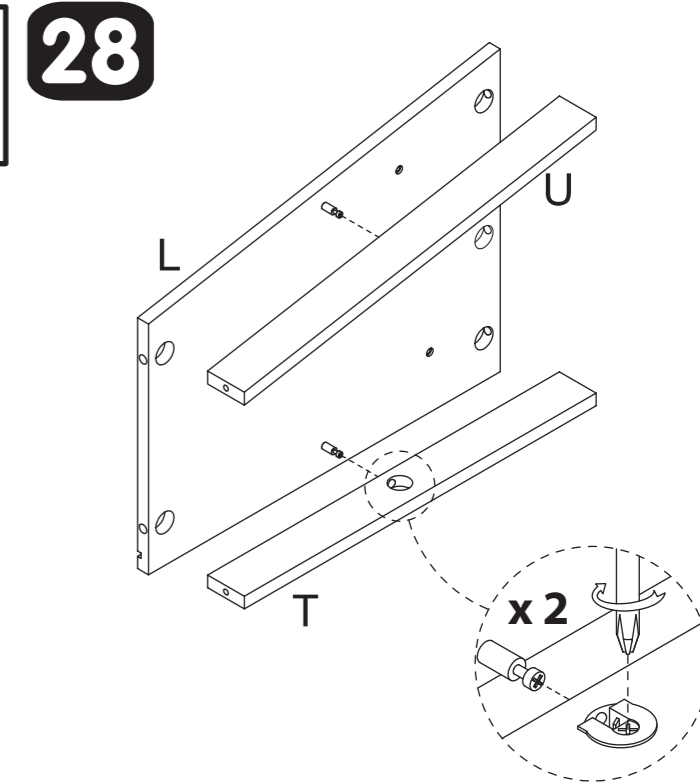
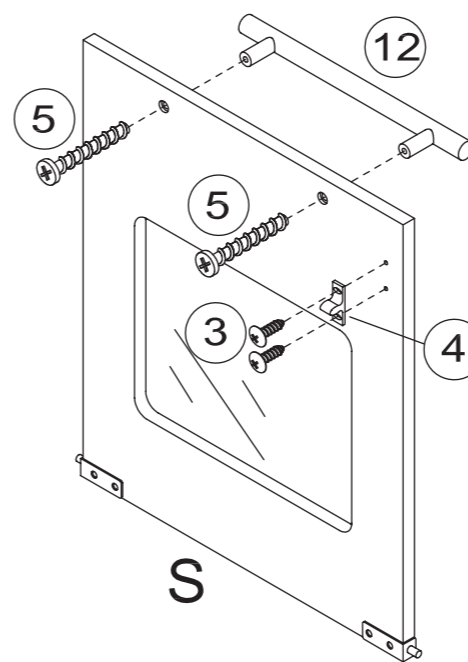
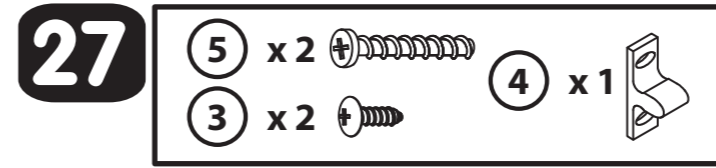
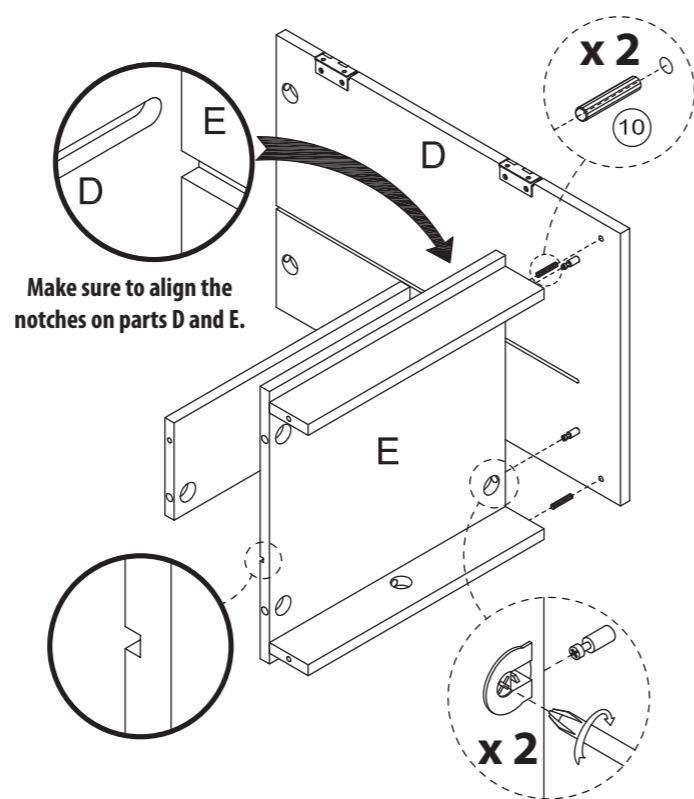
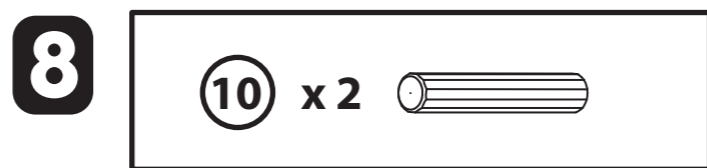
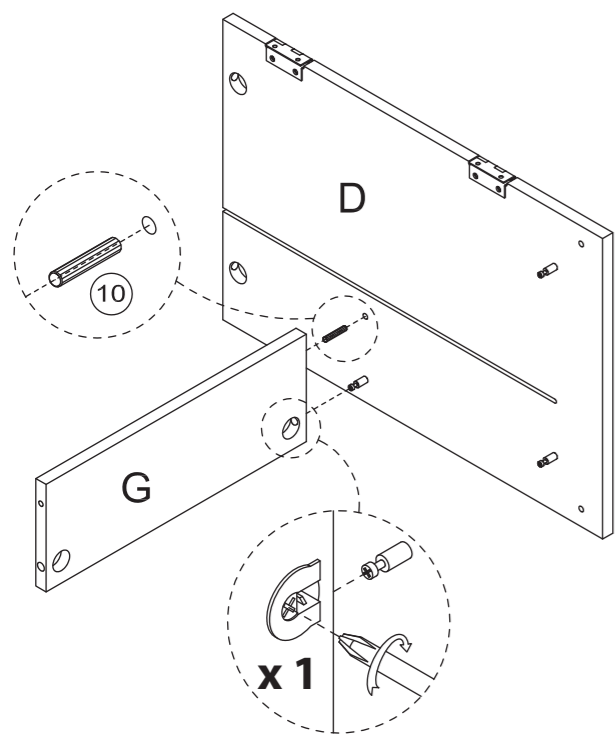
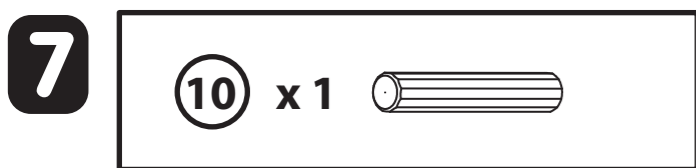
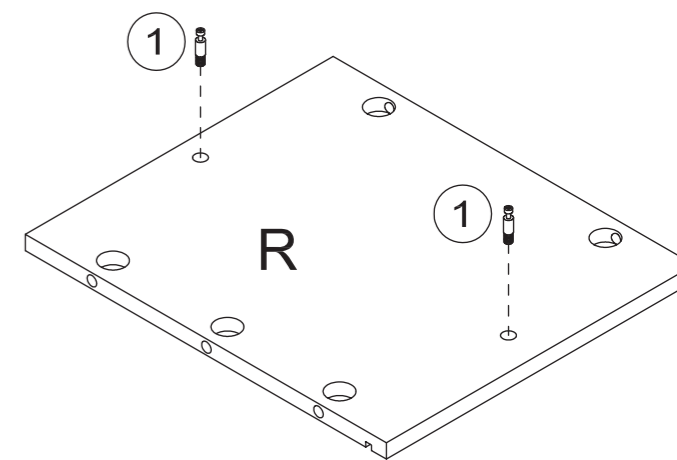
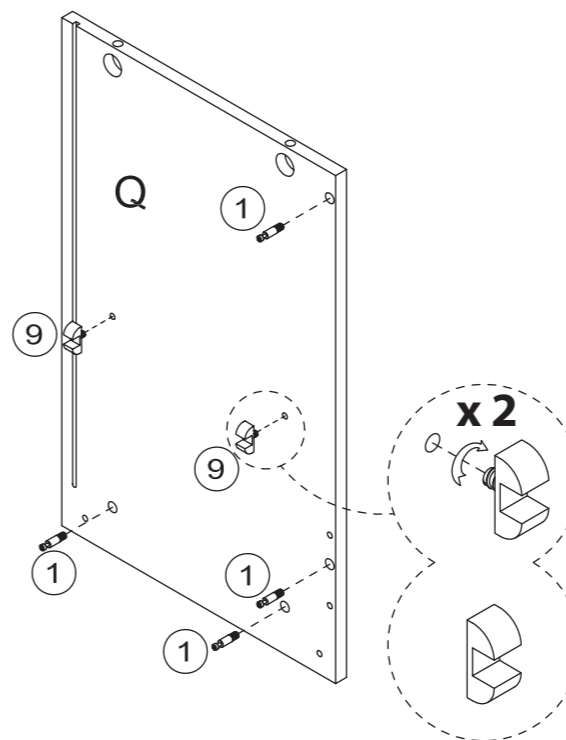
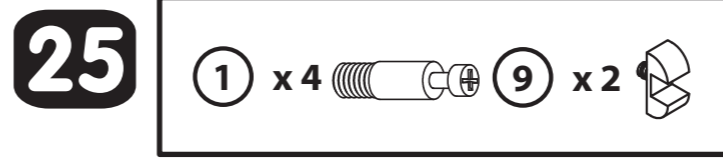
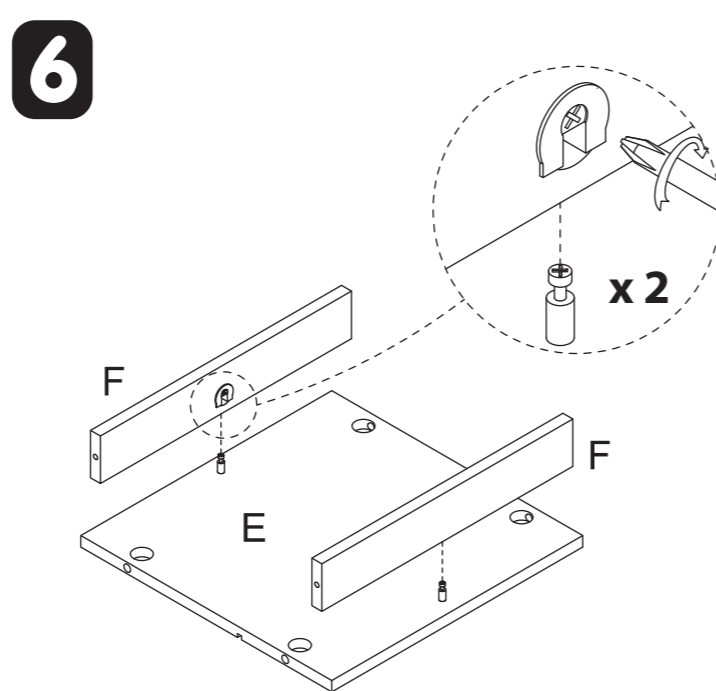
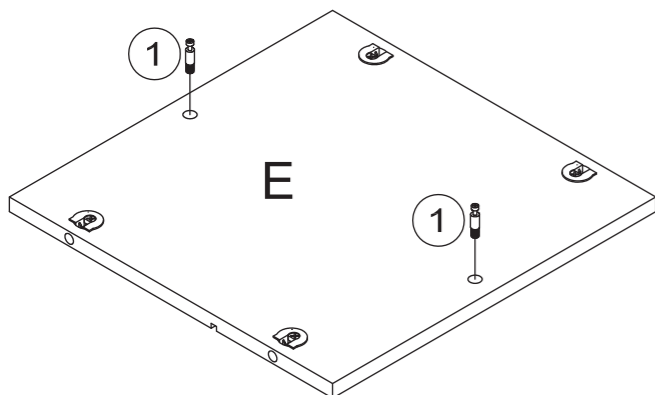
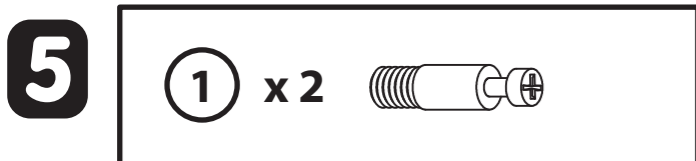
**31****10** x 2 **32****10** x 4 

ASSEMBLY TIP: With slight force, pull K and M outward to insert W.

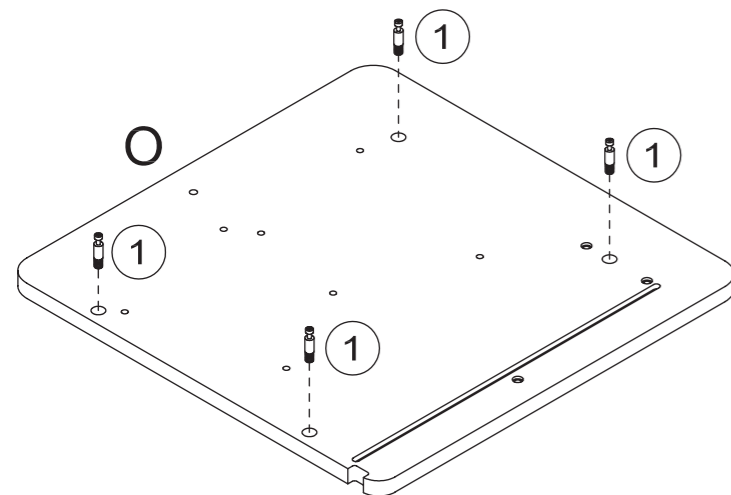
**3****4** x 1  **3** x 2   
**5** x 2 

Take note that hardware (4) is needed for this step.

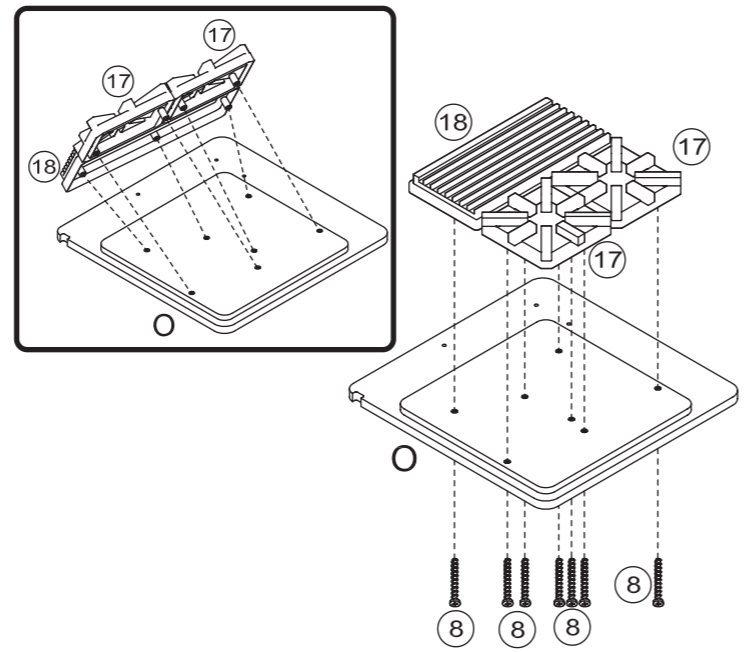
**4****1** x 3 




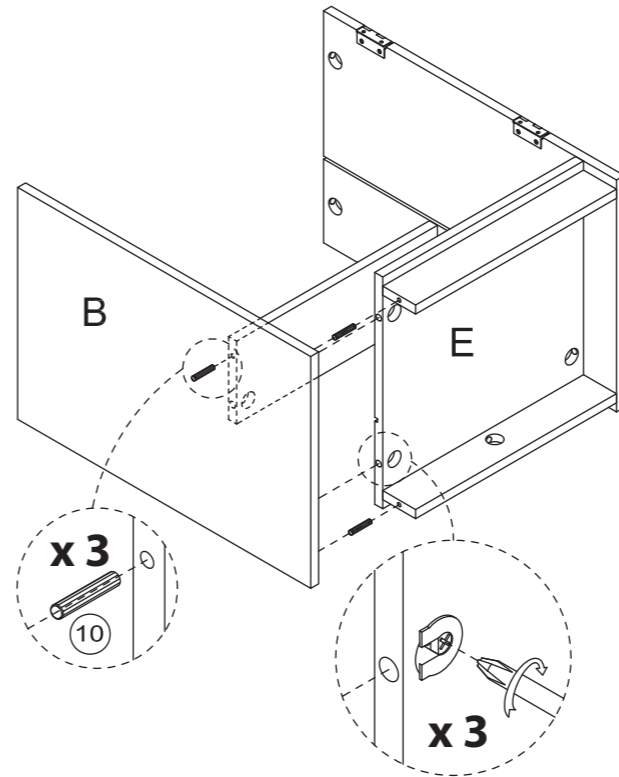
**21** ① x4 



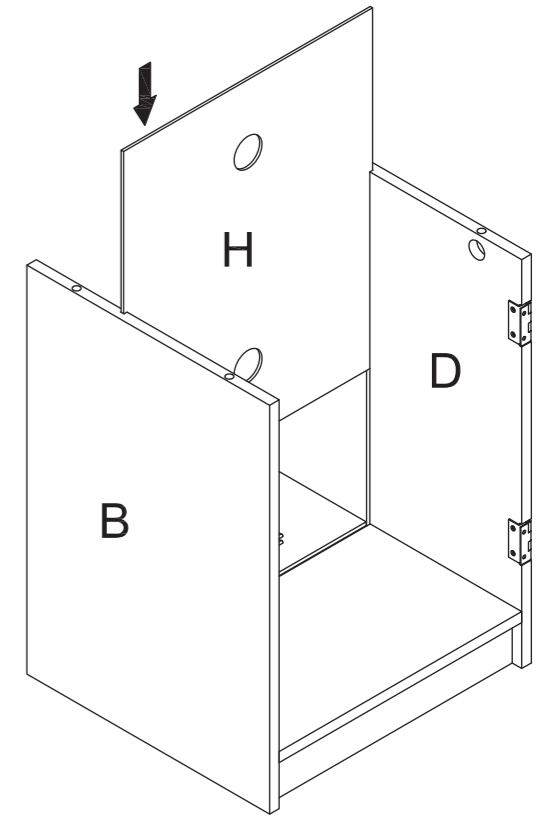
**22** ⑧ x7 




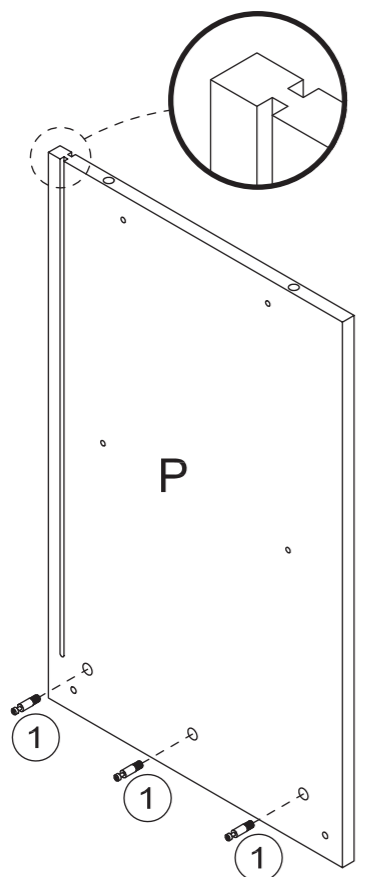
**9** ⑩ x3 







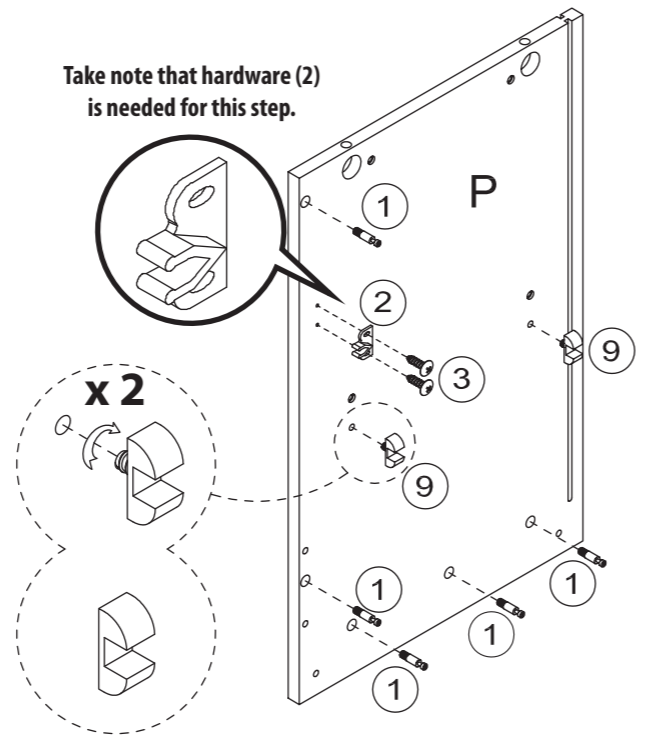
**10**



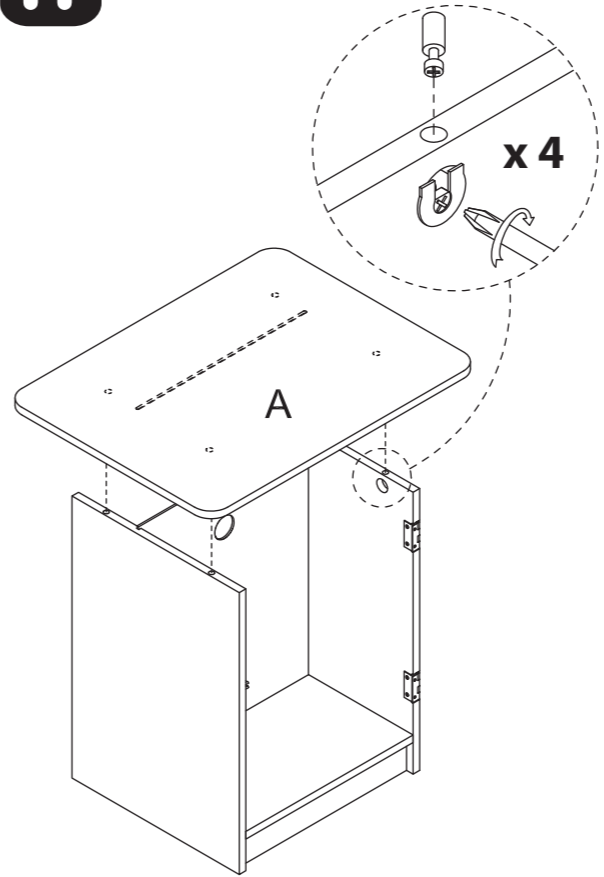
**23** ① x3 




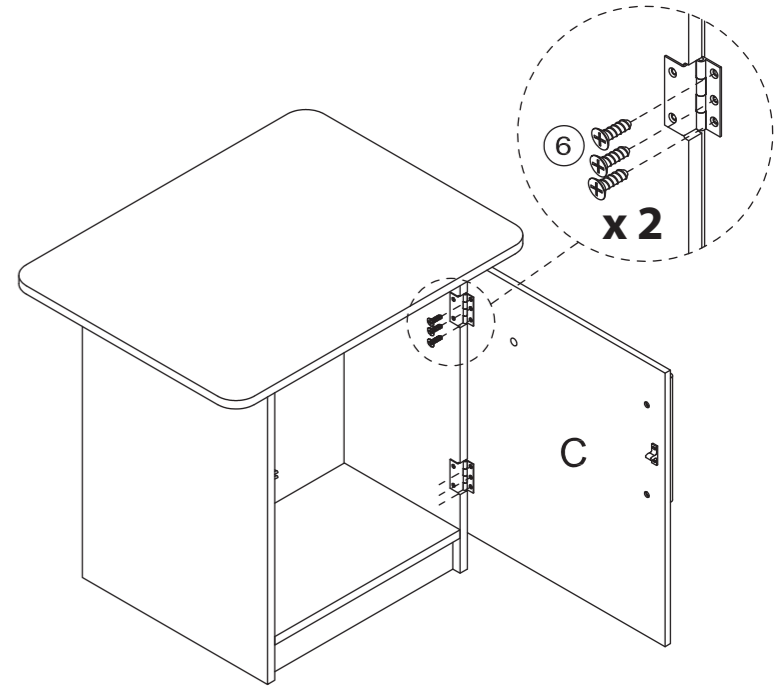
**24** ① x5  ③ x2   
 ② x1  ⑨ x2 



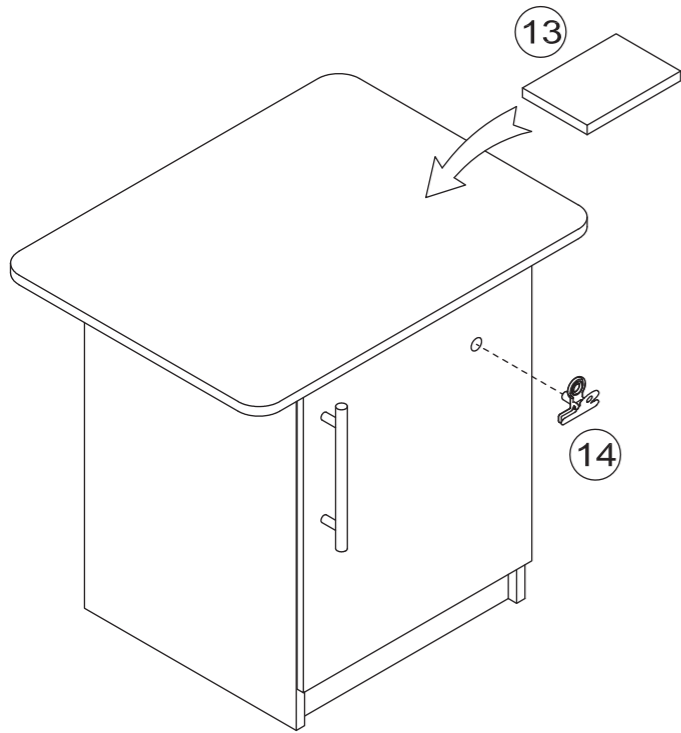
**11**



**12** ⑥ x6 

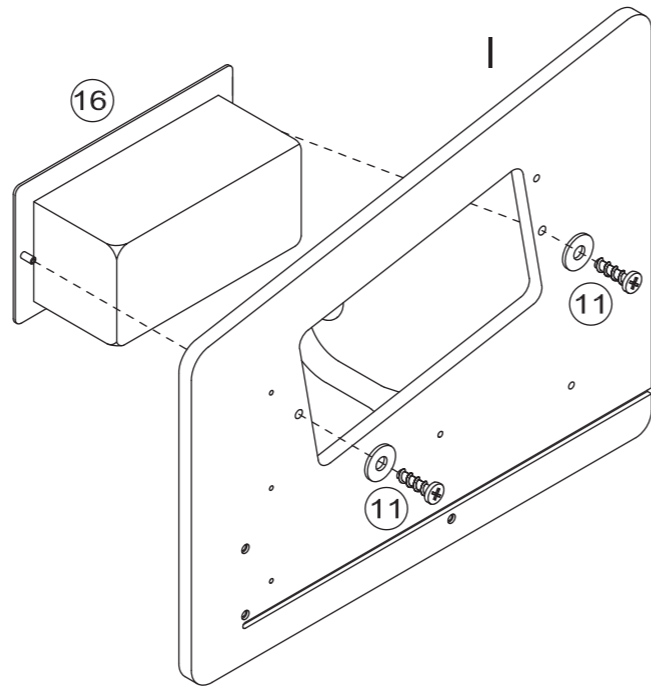


13



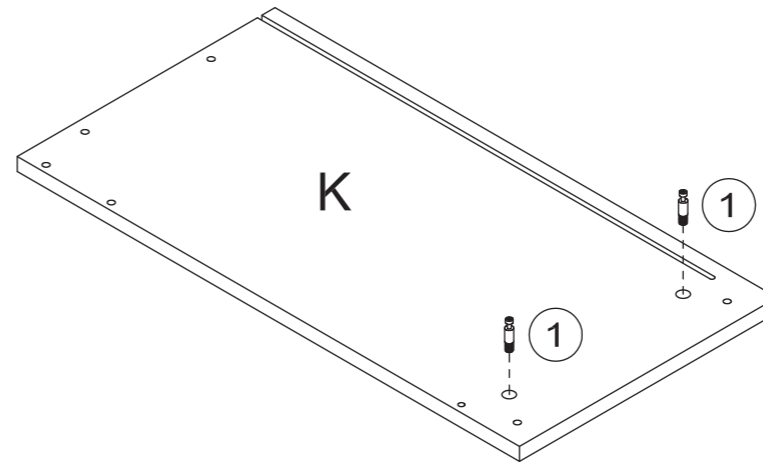
14

11 x 2



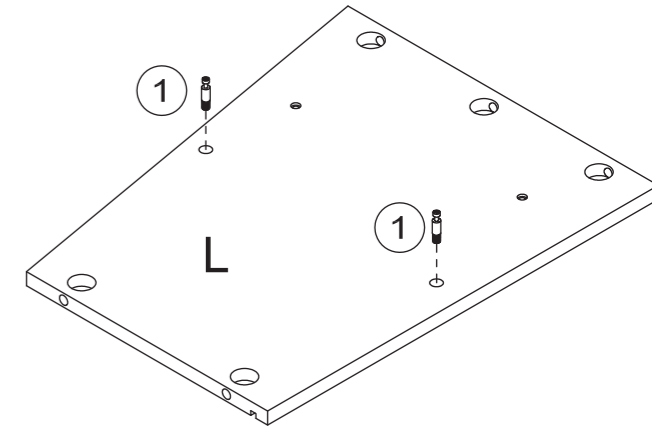
17

1 x 2



18

1 x 2



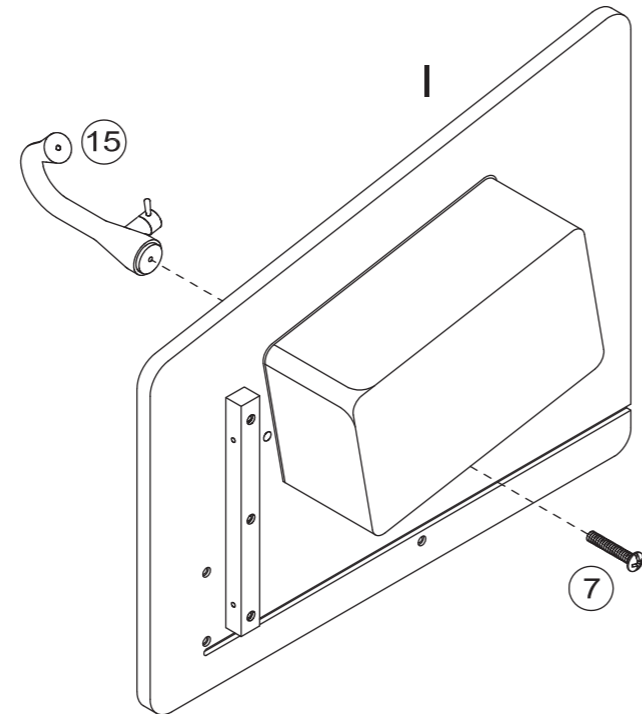
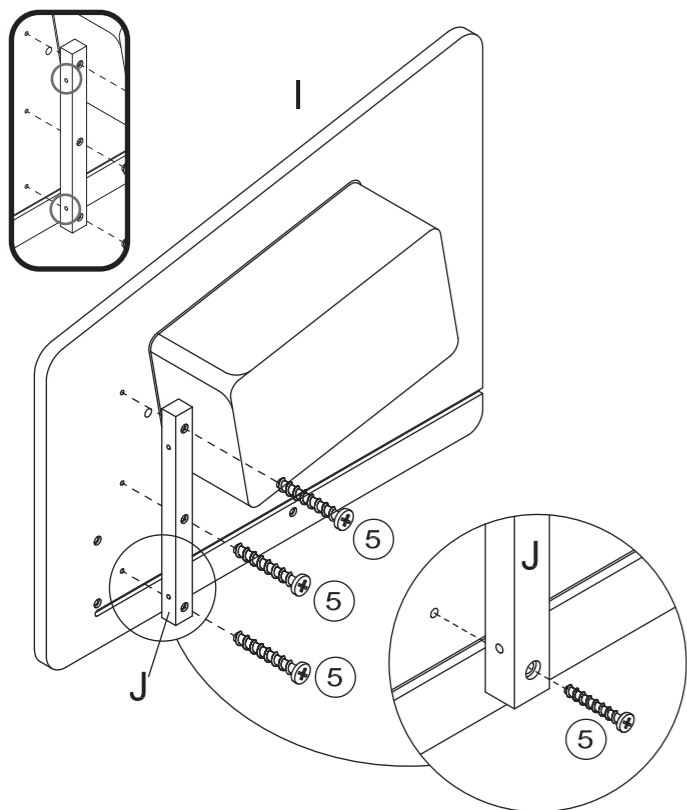
15

5 x 3

16

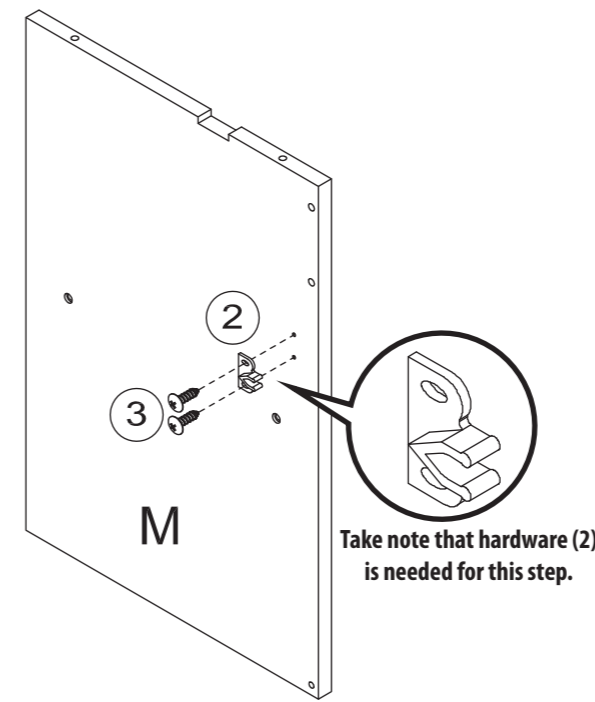
7 x 1

Take note that the two openings on J should be facing out.



19

2 x 1 3 x 2



20

4 x 1 3 x 2

