

LIMITED WARRANTY

The Little Tikes Company makes fun, high quality toys. We warrant to the original purchaser that this product is free of defects in materials or workmanship for one year * from the date of purchase (dated sales receipt is required for proof of purchase). At the sole election of The Little Tikes Company, the only remedies available under this warranty will be the replacement of the defective part or replacement of the product. This warranty is valid only if the product has been assembled and maintained per the instructions. This warranty does not cover abuse, accident, cosmetic issues such as fading or scratches from normal wear, or any other cause not arising from defects in material and workmanship. *The warranty period is three (3) months for daycare or commercial purchasers. U.S.A. and Canada: For warranty service or replacement part information, please visit our website at www.littletikes.com, call 1-800-321-0183 or write to: Consumer Service, The Little Tikes Company, 2180 Barlow Road, Hudson OH 44236, U.S.A. Some replacement parts may be available for purchase after warranty expires—contact us for details. Outside U.S.A. and Canada: Contact place of purchase for warranty service. This warranty gives you specific legal rights, and you may also have other rights, which vary from country/state to country/state. Some countries/states do not allow the exclusion or limitation of incidental or consequential damages, so the above limitation or exclusion may not apply to you.

BATTERY SAFETY INFORMATION

- Use only size "AA" (LR6) alkaline batteries (3 required).
- Charging of rechargeable batteries should only be done under adult supervision.
- Remove rechargeable batteries from the product before recharging.
- Do not mix old and new batteries.
- Do not mix alkaline, standard (carbon-zinc), or rechargeable batteries.
- Be sure to insert the batteries correctly and follow the toy and battery manufacturer's instruction.
- Always remove exhausted or dead batteries from the product.
- Dispose of dead batteries properly: do not burn or bury them.
- Do not attempt to recharge non-rechargeable batteries.
- Avoid short-circuiting battery terminals.
- Remove batteries before placing the unit into storage for a prolonged period of time.

FCC COMPLIANCE

NOTE: This equipment has been tested and found to comply with the limits for a Class B digital device, pursuant to Part 15 of the FCC Rules. These limits are designed to provide reasonable protection against harmful interference in a residential installation. This equipment generates, uses and can radiate radio frequency energy and, if not installed and used in accordance with the instructions, may cause harmful interference to radio communications. However, there is no guarantee that interference will not occur in a particular installation. If this equipment does cause harmful interference to radio or television reception, which can be determined by turning the equipment off and on, the user is encouraged to try to correct the interference by one or more of the following measures:

- Reorient or relocate the receiving antenna.
 - Increase the separation between the equipment and receiver.
 - Connect the equipment into an outlet on a circuit different from that to which the receiver is connected.
 - Consult the dealer or an experienced radio/TV technician for help.
- This device complies with Part 15 of the FCC Rules. Operation is subject to the following two conditions: (1) This device may not cause harmful interference, and (2) this device must accept any interference received, including interference that may cause undesired operation.

Caution: Modifications not authorized by the manufacturer may void users authority to operate this device.
CAN ICES-3 (B)/NMB-3(B).



"Let's care for the environment!"

The wheelee bin symbol indicates that the product must not be disposed of with other household waste. Please use designated collection points or recycling facilities when disposing of the item. Do not treat old batteries as household waste. Take them to a designated recycling facility.

Please keep this manual as it contains important information.



© The Little Tikes Company, an MGA Entertainment company. LITTLE TIKES® is a trademark of Little Tikes in the U.S. and other countries. All logos, names, characters, likenesses, images, slogans, and packaging appearance are the property of Little Tikes.



Printed in China
0222-0-E/INT

Little Tikes Consumer Service
2180 Barlow Road
Hudson, Ohio 44236 U.S.A.
1-800-321-0183

MGA Entertainment UK Ltd.
50 Presley Way, Crownhill, Milton Keynes,
MK8 0ES, Bucks, UK
support@LittleTikesStore.co.uk
Tel: +0 800 521 558

MGA Entertainment (Netherlands) B.V.
Baronie 68-70, 2404 XG Alphen a/d Rijn
The Netherlands
Tel: +31 (0) 172 758038

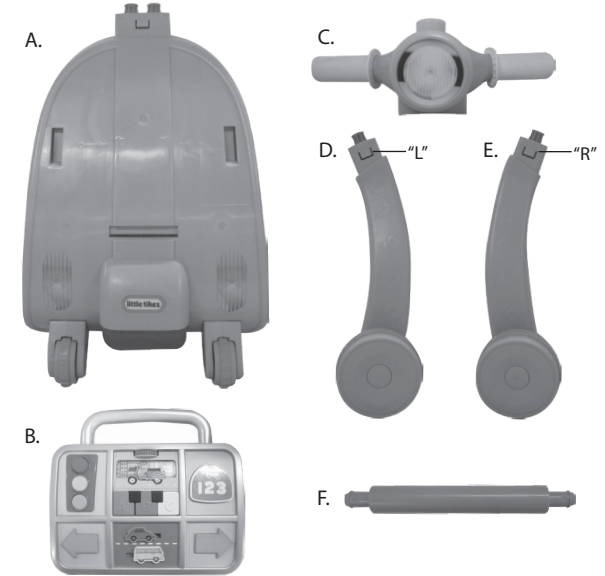
Imported by MGA Entertainment Australia Pty Ltd
Suite 2.02, 32 Delhi Road
Macquarie Park NSW 2113
1300 059 676



SKU: 659621

CONTENTS

- A. Learning Lane Activity Walker™
- B. Detachable Activity Panel
- C. Headlight
- D. Left Leg
- E. Right Leg
- F. Leg Connector

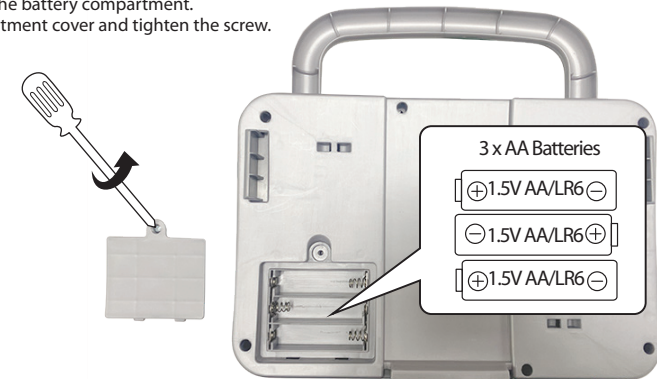


Illustrations are for reference only. Styles may vary from actual contents.
Please remove all packaging including tags, ties & tacking stitches before giving this product to a child.

BATTERY REPLACEMENT

The batteries included in the activity panel are for in-store demonstration. Before playing, an adult must install fresh alkaline batteries (not included) in the unit. Here's how:

1. Using a Phillips screwdriver (not included) remove the screw and battery compartment cover from the back of the activity panel.
2. Install three (3) 1.5V AA (LR6) alkaline batteries (not included) making sure the (+) and (-) ends face the proper direction as indicated inside the battery compartment.
3. Replace the compartment cover and tighten the screw.

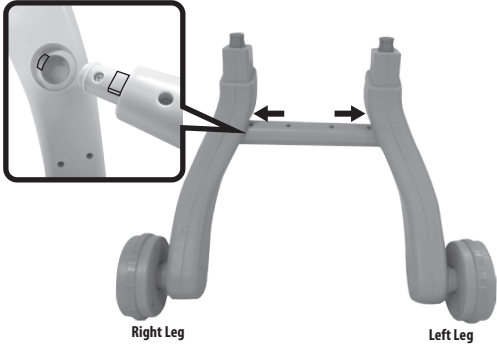


- CAUTION**
- Make sure the Learning Lane Activity Walker™ is placed on a flat, level floor when playing.
 - Do not allow children to pull themselves up using the unit, as the unit can tip over.
 - Do not allow children to stretch their legs under the unit.

ASSEMBLY

1 Assemble the Legs

Insert the connector into each side of the left and right leg. The connector is designed to only fit one way, make sure it is oriented the correct way.



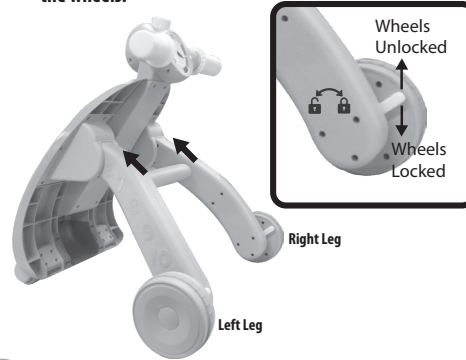
2 Attach the Legs



IMPORTANT NOTE: Legs are one-time snap. Make sure they are placed correctly before attaching.

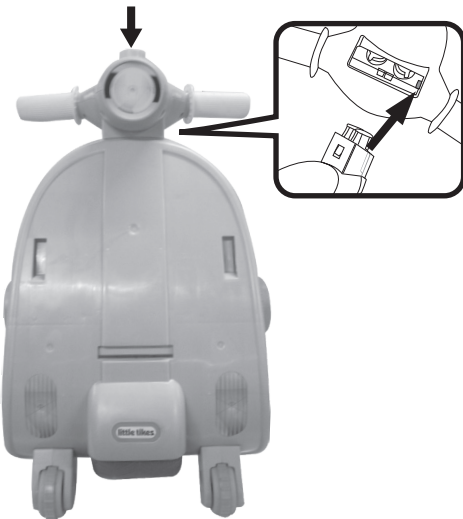
Insert the left and right legs to the back of the walker. For correct placement, the legs are designed to only fit one way. They will also be labeled with an L for left and R for right.

NOTE: When not using the Learning Lane Activity Walker™ as a walker, make sure to lock the wheels by pushing down the locks on the wheels. Push them up to unlock the wheels.



3 Add the Headlight

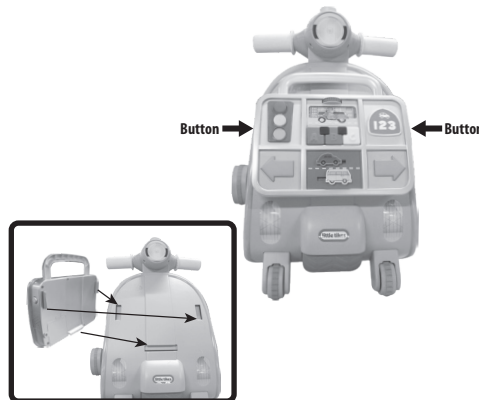
Attach the headlight to the top of the walker. The headlight is designed to only fit one way, make sure it is oriented the correct way.



4 Insert the Activity Panel

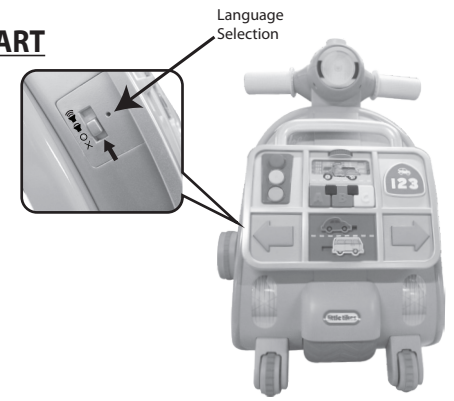
Push and hold the buttons on each side of the activity panel at the same time. Then, insert the pegs on the back of the activity panel into the slots on the walker.

NOTE: Activity panel can be taken on-the-go! When removing the activity panel, push and hold the buttons at the same time and remove from the walker.



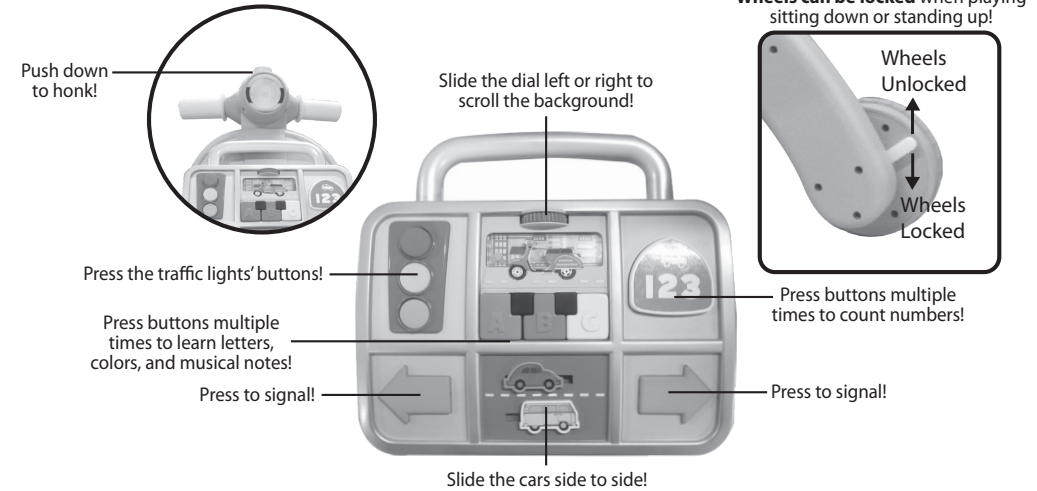
QUICK START

Before beginning, move the switch on the activity panel from Try Me (X) to either Low or High volume. Switch is located on the side of the activity panel. To change the language from English to French, insert a pointed object (like a pin) to press the button next to the switch for two seconds.



FEATURES

The Learning Lane Activity Walker™ can be played in many different ways and has many features. Lock the wheels on the walker to play sitting down or standing up, or detach the activity panel from the walker to play on-the-go. The activity panel has many different activities, phrases, and sounds!



IMPORTANT INFORMATION

WARNING

- Adult supervision required. Do not leave children unattended.
- Do not expose the unit to moisture of any kind. Wipe the unit with a damp cloth to clean.
- Do not use the product if it is damaged or broken.
- Do not stand on, sit on or throw the unit, as doing so can result in injury to the person and irreversible damage to the unit.
- Do not allow children to pull themselves up using the unit, as the unit can tip over.
- Do not allow children to stretch their legs under the unit.
- Use only on flat, level surfaces free of objects that could cause the product to tip over.
- To avoid burns, keep the child away from hot liquids, ranges, radiators, space heaters, fireplaces, etc.
- Never use near steps, pools, hot surfaces, or areas that may be hazardous to a child.
- Never use near a staircase.
- Never leave child unattended. Always keep child in view while using the product.
- Never place the product near the windows where cords from blinds or drapes may strangle child.
- Block stairs/steps securely before using walker.
- If the unit stops working properly or doesn't work as it should, turn off and turn it back on. If there is still a problem, replace the batteries.
- Do not run unit into furniture, walls, pets, people etc., as doing so may cause injury to the person and pets and irreparable damage to the unit.
- Do not allow long hair or loose apparel such as shoestrings near the turning wheels of the unit.
- Play is limited in Try Me mode. Before playing, move the switch to a volume position.