

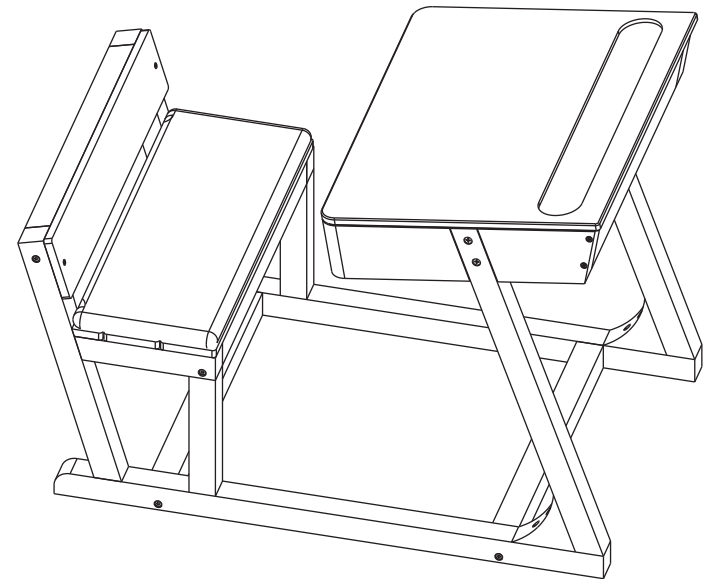


GREAT IDEAS DESK

SKU: 658846C3

AGES 3-8
ADULT ASSEMBLY REQUIRED

ASSEMBLY INSTRUCTIONS



Thank you for choosing the Little Tikes® The Great Ideas Desk.
We strive to provide a durable, easy-to-assemble toy that is made to last,
giving your child years of imaginative, engaging fun!

IMPORTANT INFORMATION YOU SHOULD KNOW!

- Read through all the instructions first.
- Clear a flat surface to lay out all the materials so that everything is close at hand.
- Illustrations are for reference only. Styles may vary from actual contents.
- Please remove all packaging including tags, ties & tacking stitches before giving this product to a child.
- **Make sure you have all contents before assembling. If anything is missing or if you have questions, we're here to help. Give our consumer service team a call at 1-800-321-0183.**

Let's be careful!

⚠ WARNING!

- ADULT ASSEMBLY REQUIRED. Assembly should be done by a competent adult only.
- Prior to assembly, this package contains small parts: hardware which is a choking hazard and may contain sharp edges and sharp points. Keep away from children until assembled.
- During assembly keep children away from the product due to possible risk of injury.
- Follow the provided instructions to avoid potential hazards that may result from incorrect assembly.
- Please keep this manual as it contains important information.
- This product is intended for indoor use only.
- This product is intended for use by children ages 3-8.
- The maximum child weight limit for the chair: 110 lbs (50 kg)
- Do not allow children to stand or sit on the desk.
- Place on flat, level surfaces free of objects that could cause the product to tip over. Also, place out of the way of household traffic.
- Never use near staircase, steps, pools, hot surfaces, or areas that may be hazardous to a child.
- Do not use if damaged, broken or if components are missing.
- Properly secure seat cushion to back of desk seat before sitting in seat by tying straps to the back of the seat as pictured in step 11.
- Regularly check all fastenings to ensure that they are properly tightened.
- Clean with a cold damp cloth and wipe off any moisture with a dry cloth.

IMPORTANT: Retain these instructions for future reference.

© The Little Tikes Company, an MGA Entertainment company. LITTLE TIKES® is a trademark of Little Tikes in the U.S. and other countries. All logos, names, characters, likenesses, images, slogans, and packaging appearance are the property of Little Tikes.

Printed in China • 0721-1-G3

CONSUMER SERVICE

Little Tikes Consumer Service
www.littletikes.com
 2180 Barlow Road
 Hudson, Ohio 44236 U.S.A.
 Email: service@littletikescares.com
 1-800-321-0183 Monday-Friday

MGA Entertainment UK Ltd.
www.littletikes.co.uk
 50 Presley Way, Crownhill, Milton
 Keynes, MK8 0ES, Bucks, UK
support@LittleTikesStore.co.uk
 Tel: +0 800 521 558

MGA Entertainment (Netherlands) B.V.
 Baronie 68-70
 2404 XG Alphen a/d Rijn
 The Netherlands
 Tel: +31 (0) 172 758038

Imported by MGA Entertainment Australia Pty Ltd
www.littletikes.com.au
 Suite 2.02, 32 Delhi Road
 Macquarie Park NSW 2113
 1300 059 676

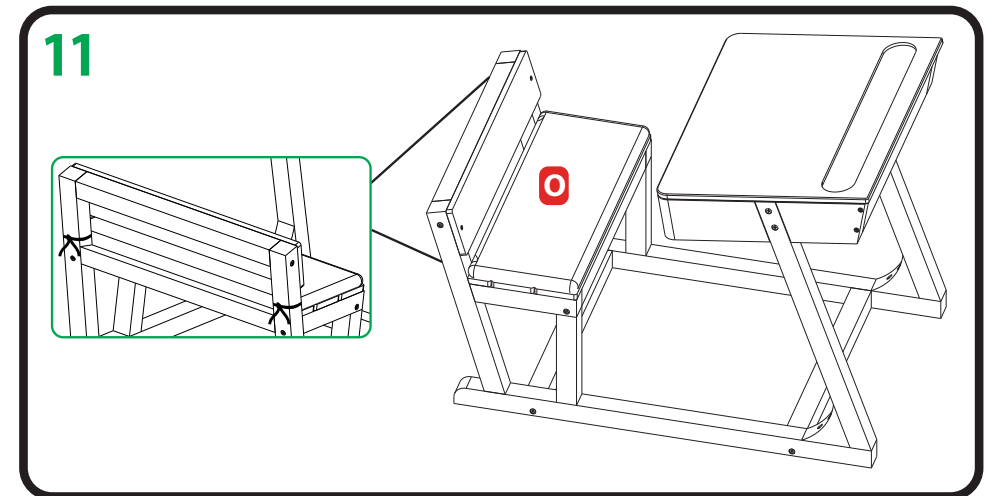
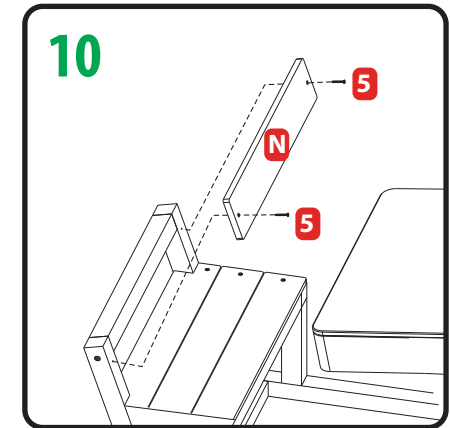
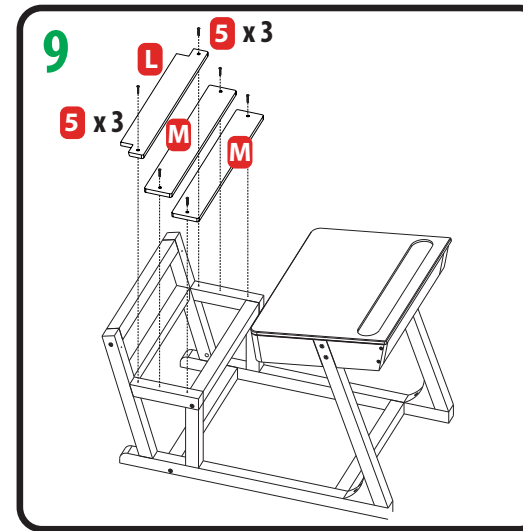


LIMITED WARRANTY

The Little Tikes Company makes fun, high quality toys. We warrant to the original purchaser that this product is free of defects in materials or workmanship for one year* from the date of purchase (dated sales receipt is required for proof of purchase). At the sole election of The Little Tikes Company, the only remedies available under this warranty will be the replacement of the defective part or replacement of the product. This warranty is valid only if the product has been assembled and maintained per the instructions. This warranty does not cover abuse, accident, cosmetic issues such as fading or scratches from normal wear, or any other cause not arising from defects in material and workmanship. *The warranty period is three (3) months for daycare or commercial purchasers.

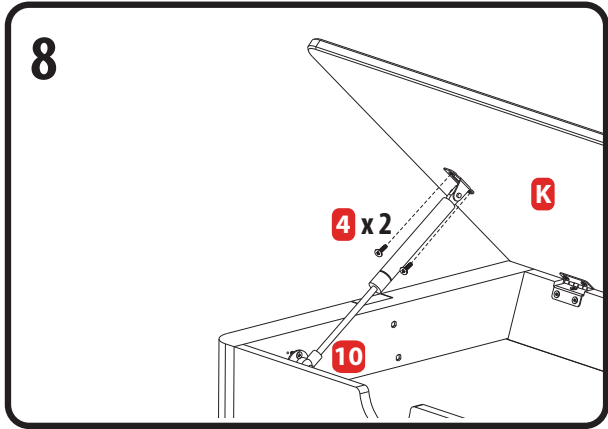
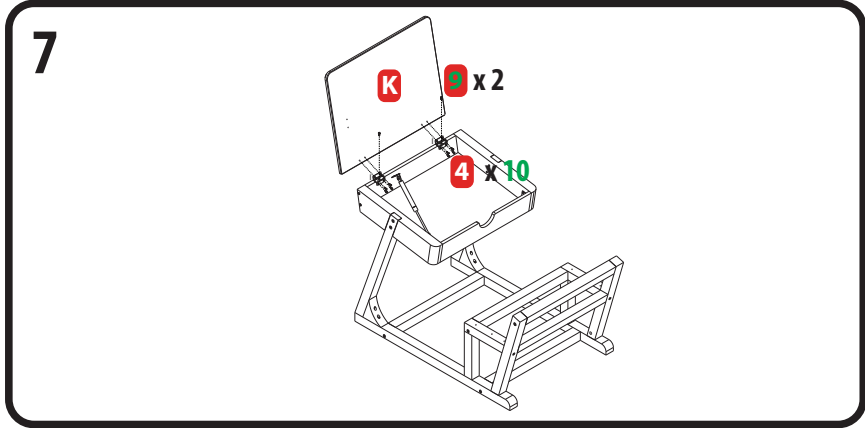
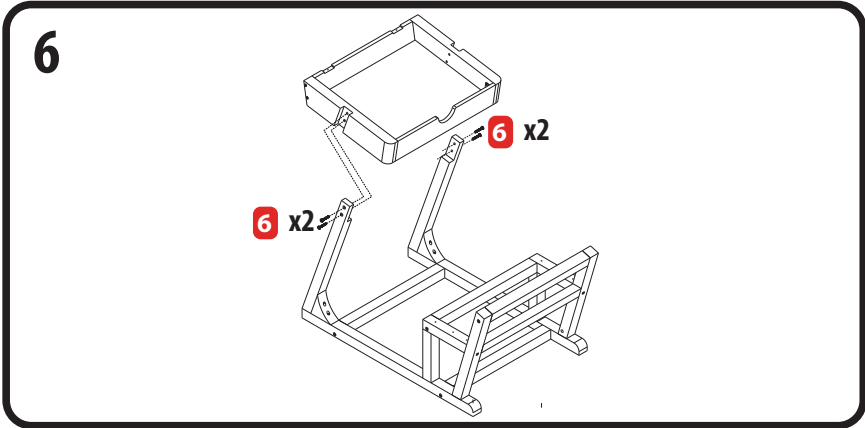
U.S.A. and Canada: For warranty service or replacement part information, please visit our website at www.littletikes.com, call 1-800-321-0183 or write to: Consumer Service, The Little Tikes Company, 2180 Barlow Road, Hudson OH 44236, U.S.A. Some replacement parts may be available for purchase after warranty expires—contact us for details.

Outside U.S.A. and Canada: Contact place of purchase for warranty service. This warranty gives you specific legal rights, and you may also have other rights, which vary from country/state to country/state. Some countries/states do not allow the exclusion or limitation of incidental or consequential damages, so the above limitation or exclusion may not apply to you.











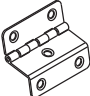
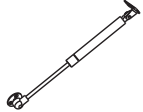
A Few Things Before You Start!

BEFORE you begin assembly, make sure you have all the parts listed below.
 Questions? We're here to help. Little Tikes® Consumer Service: 1-800-321-0183



A	B	C x3
D	E	F
G	H	I
J	K	L
M x2	N	O

Hardware

		
1 x 8	2 x 8	3 x 4
		
4 x 27	5 x 8	6 x 4
		
7 x 12	8 x 2	9 x 2
	Tools required (not included)	
10	