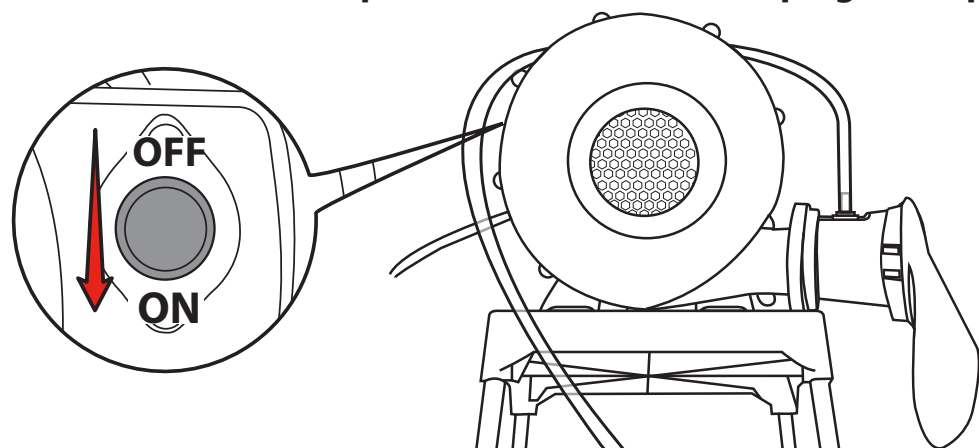


# 11 Start the Foam Party

Plug the blower and turn it on by moving the switch on the side of the blower from the OFF position to the ON. Then, plug in the pump.

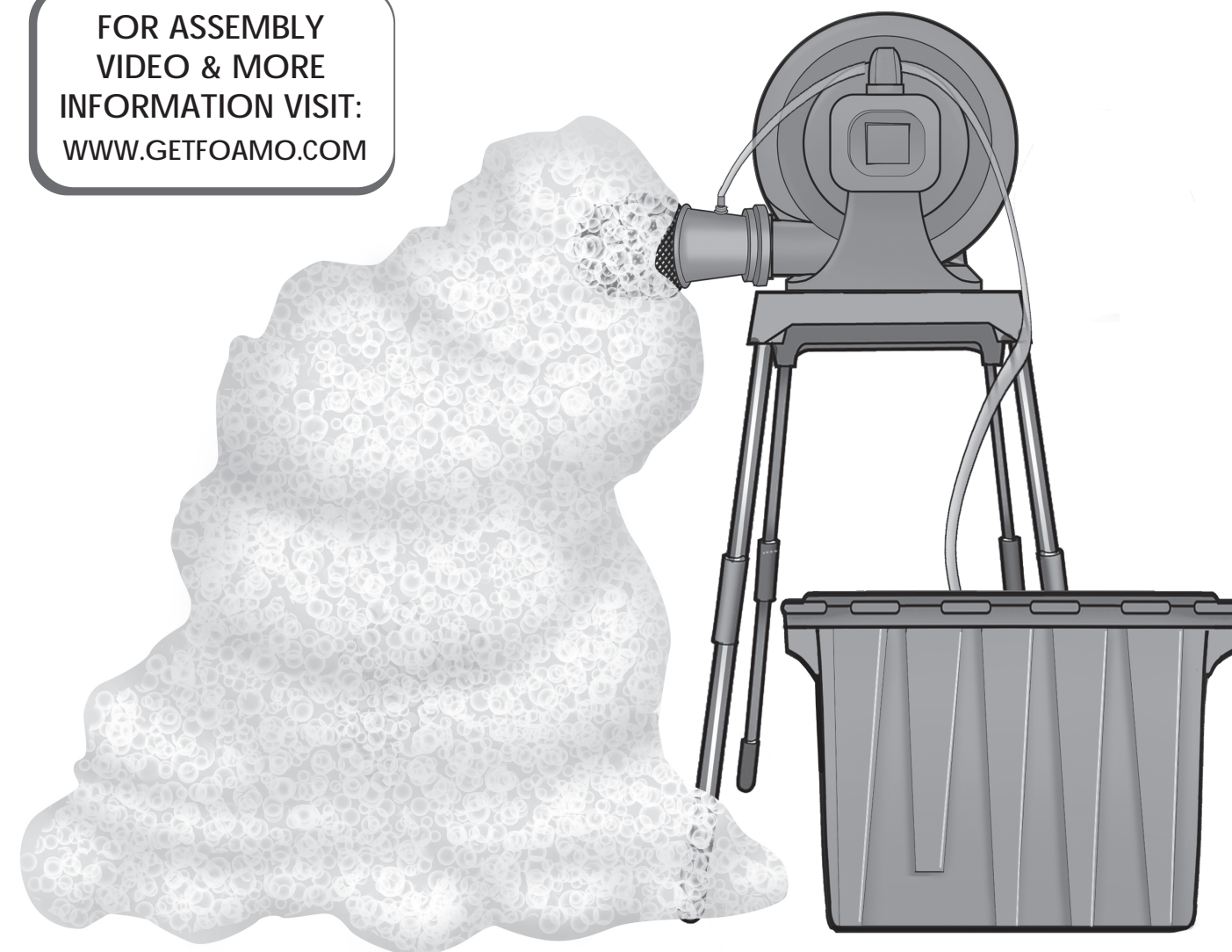


SKU: 658679 / 658679C

ADULT ASSEMBLY REQUIRED  
ADULT SUPERVISION REQUIRED

## ASSEMBLY INSTRUCTIONS

FOR ASSEMBLY  
VIDEO & MORE  
INFORMATION VISIT:  
[WWW.GETFOAMO.COM](http://WWW.GETFOAMO.COM)



### Foam Party Tricks

- Before playing, make sure the electrical plugs are a safe distance away from the water and foam.
- The foam machine can be placed on grass or concrete surfaces, but it is recommended to use on grass.
- This product is soapy and can cause certain surfaces to become slippery. Always use caution when walking on slippery surfaces.
- For more voluminous foam, it is recommended to use the foam machine in a smaller contained area.
- To evenly spread the foam in larger areas, an adult should remove the blower from the stand and move it around the play area.
- An adult must always supervise while the machine is running to avoid the foam bubbles getting sucked into the machine. Keep the machine away from the foam at all times and do not allow the foam to rise above the stand.
- Do not set up machine during windy or rainy weather.

### Store until your next party!

**Before storing**, it is important to drain any remaining foam from the pump. Fill the bin one quarter of the way with water and then allow the machine to run to clear out any soapy foam from the pump. Once the machine has filtered through the water begin disassembling the foam machine as described below.

**IMPORTANT NOTE:** Allow the contents to air dry thoroughly before storing in the bin.

1. Turn off the blower. Then, unplug the blower and pump.
2. Disconnect the hose from both the blower and pump. Then, remove the blower from the stand.
3. Remove the mesh sock and allow it to air dry.
4. Twist off and remove the adapter.
5. Disassemble the stand.
6. Store the contents in the bin.

### Time to tidy up!

- Once the foam has dried out, hose down the area with water. Repeat a couple of times until the surface is no longer slippery.
- Wash off any remaining residue on your body with mild soap and water.

### Having problems?

PROBLEM	SOLUTION
Foam got into the blower.	Turn the blower off and allow it to dry out before using again.
Foam isn't growing.	• Check that the solution is 5:1. It should be five parts of water to one part of foam solution. • Use in a smaller contained area.
Foam is too wet.	Check that the solution is 5:1. It should be five parts of water to one part of foam solution.
Pump does not draw water or the flow is slow.	Make sure it is plugged in and the power supply is compatible.
Pump is making noises.	The water level is lower than the water intake.
Pump is not working.	There might be an internal issue. Contact Consumer Service at 1-800-321-0183.
Ran out of solution.	FOAMO refills are available in select retailers. Visit <a href="http://www.getfoamo.com">www.getfoamo.com</a> for more information.

**Thank you for purchasing FOAMO™.**  
We strive to provide a durable, easy-to-assemble toy that is made to last, giving your family years of imaginative, engaging fun!

# READ AND SAVE THESE INSTRUCTIONS

## IMPORTANT INFORMATION YOU SHOULD KNOW!

- Read through all the instructions first.
  - Clear a flat surface to lay out all the materials so that everything is close at hand.
  - Illustrations are for reference only. Styles may vary from actual contents.
  - Please remove all packaging including tags, ties & tacking stitches before giving this product to a child.
  - Only use FOAMO™ solution with this product, as other solutions may damage the machine.
- For refill information, visit [www.getfoamo.com](http://www.getfoamo.com).
- **Make sure you have all contents before assembling. If anything is missing or if you have questions, we're here to help. Give our consumer service team a call at 1-800-321-0183.**

### Let's be careful!

#### ⚠ WARNING!

- ADULT ASSEMBLY REQUIRED.
- Please keep this manual as it contains important information.
- This product is intended for outdoor family use only.
- This product is soapy and can cause certain surfaces to become slippery. Always use caution when walking on slippery surfaces.
- Always keep the electrical plugs away from the water and foam to avoid electrocution.
- Keep foam solution out of reach of children.
- Eye irritation may occur. Keep foam and foam solution away from eyes.
- In case of eye contact, rinse with water for 10-15 minutes.
- Do not ingest foam or foam solution.
- Do not allow children to sit, stand, play or climb on the top surface. Failure to do so may cause the product to become unstable.
- To better clean the product, use a damp cloth.
- **WARNING!** Never leave your child unattended even for the shortest time. Children must be under constant supervision at all times.



'Let's care for the environment!'

The wheelie bin symbol indicates that the product must not be disposed of with other household waste. Please use designated collection points or recycling facilities when disposing of the item.

© The Little Tikes Company, an MGA Entertainment company. LITTLE TIKES® and FOAMO™ are trademarks of Little Tikes in the U.S. and other countries. All logos, names, characters, likenesses, images, slogans, and packaging appearance are the property of Little Tikes.  
Printed in China • 1120-0-C

#### CONSUMER SERVICE

Little Tikes Consumer Service  
[www.littletikes.com](http://www.littletikes.com)  
 2180 Barlow Road  
 Hudson, Ohio 44236 U.S.A.  
 Email: [service@littletikescare.com](mailto:service@littletikescare.com)  
 1-800-321-0183 Monday-Friday



#### LIMITED WARRANTY

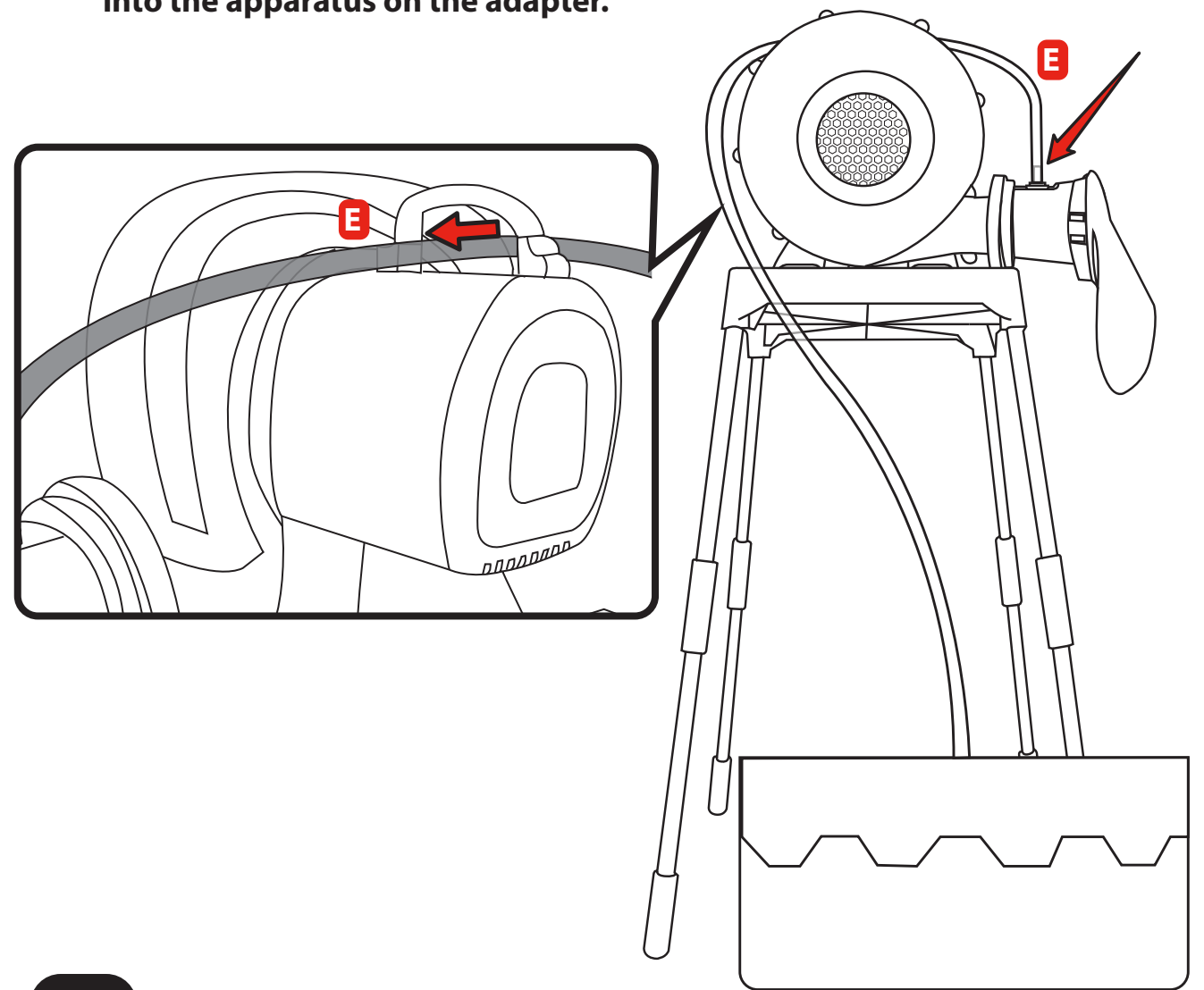
The Little Tikes Company makes fun, high quality toys. We warrant to the original purchaser that this product is free of defects in materials or workmanship for one year \* from the date of purchase (dated sales receipt is required for proof of purchase). Warranty on the hose included with this product is 90-days from the date of purchase. At the sole election of The Little Tikes Company, the only remedies available under this warranty will be the replacement of the defective part or replacement of the product. This warranty is valid only if the product has been assembled and maintained per the instructions. This warranty does not cover abuse, accident, cosmetic issues such as fading or scratches from normal wear, or any other cause not arising from defects in material and workmanship. \*The warranty period is three (3) months for daycare or commercial purchasers.

**U.S.A. and Canada:** For warranty service or replacement part information, please visit our website at [www.littletikes.com](http://www.littletikes.com), call 1-800-321-0183 or write to: Consumer Service, The Little Tikes Company, 2180 Barlow Road, Hudson OH 44236, U.S.A. Some replacement parts may be available for purchase after warranty expires—contact us for details.

**Outside U.S.A. and Canada:** Contact place of purchase for warranty service. This warranty gives you specific legal rights, and you may also have other rights, which vary from country/state to country/state. Some countries/states do not allow the exclusion or limitation of incidental or consequential damages, so the above limitation or exclusion may not apply to you.

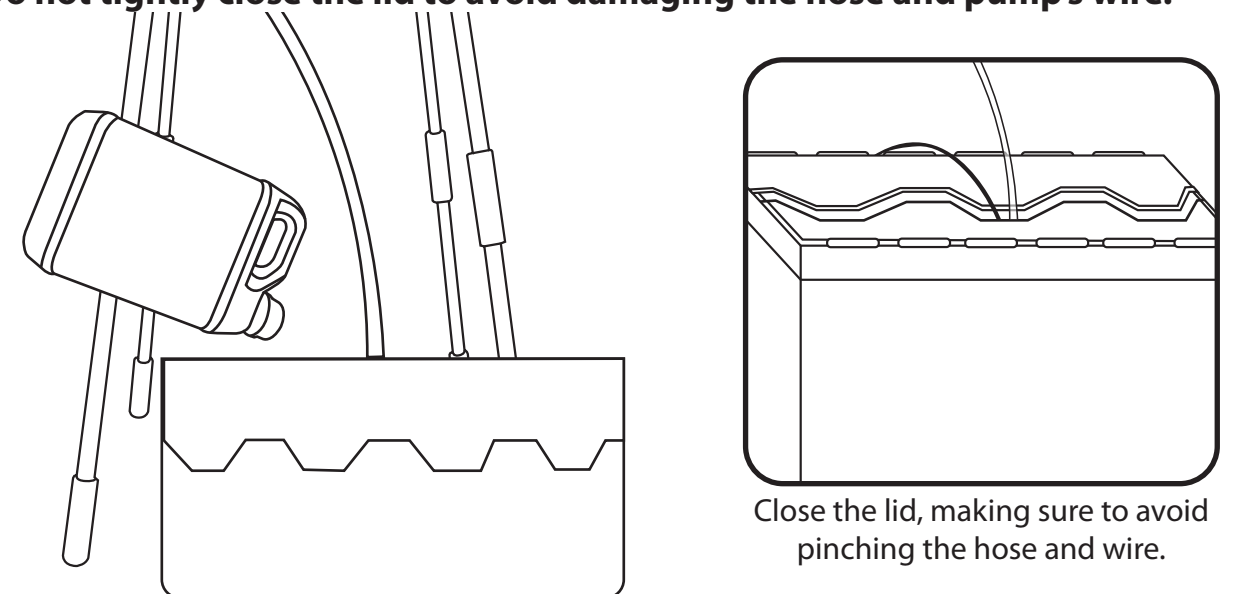
## 9 Connect the Other End of the Hose

Slide the other end of the hose (E) through the handle on the blower and insert it into the apparatus on the adapter.



## 10 The 5:1 Ratio Solution

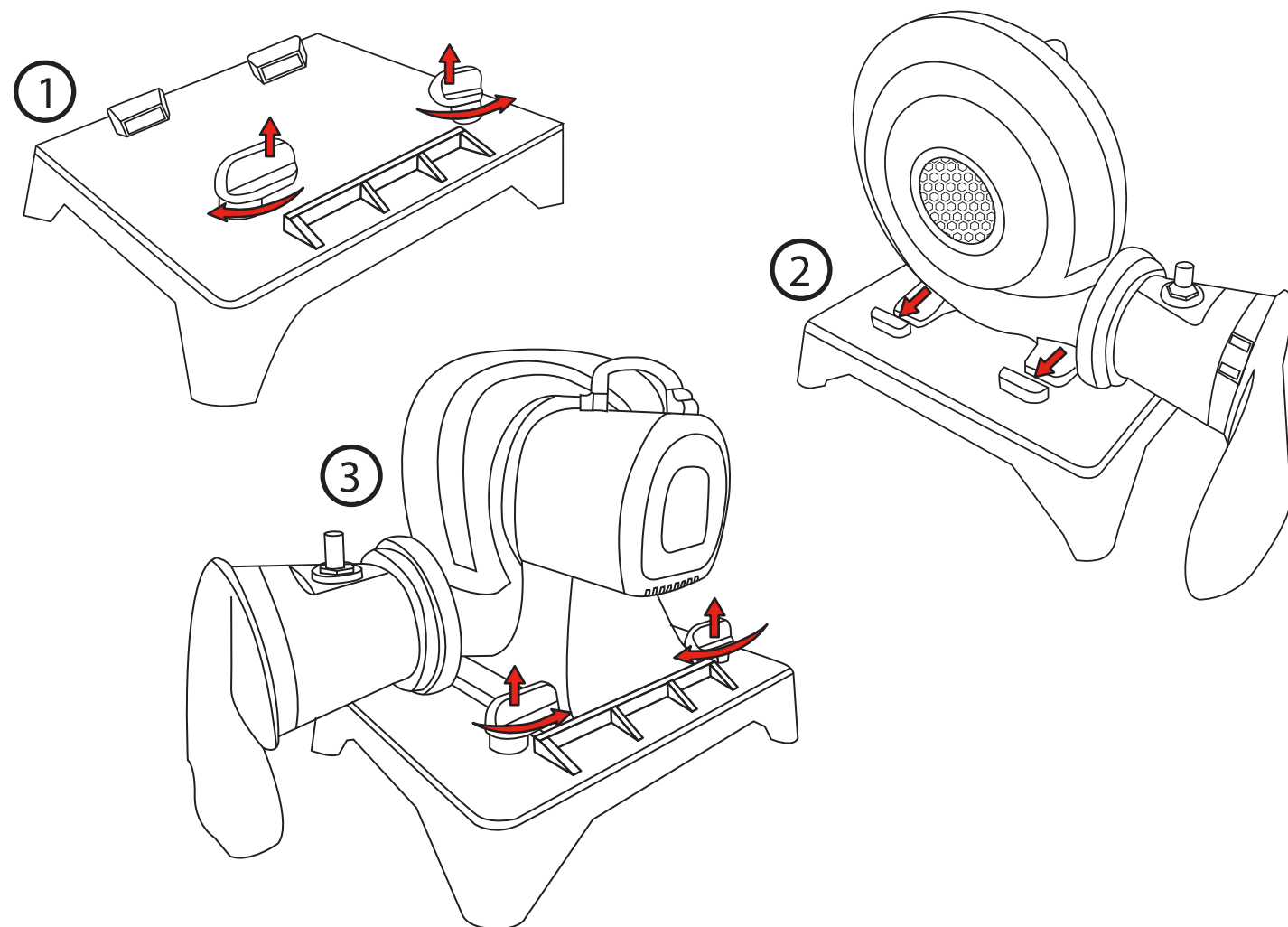
When adding the solution, make sure to pour five parts of water to one part of foam solution. Pour the whole bottle of foam solution into the bin. Fill the same bottle with water five times and add it to the solution. Then, slightly close the lid. Do not tightly close the lid to avoid damaging the hose and pump's wire.





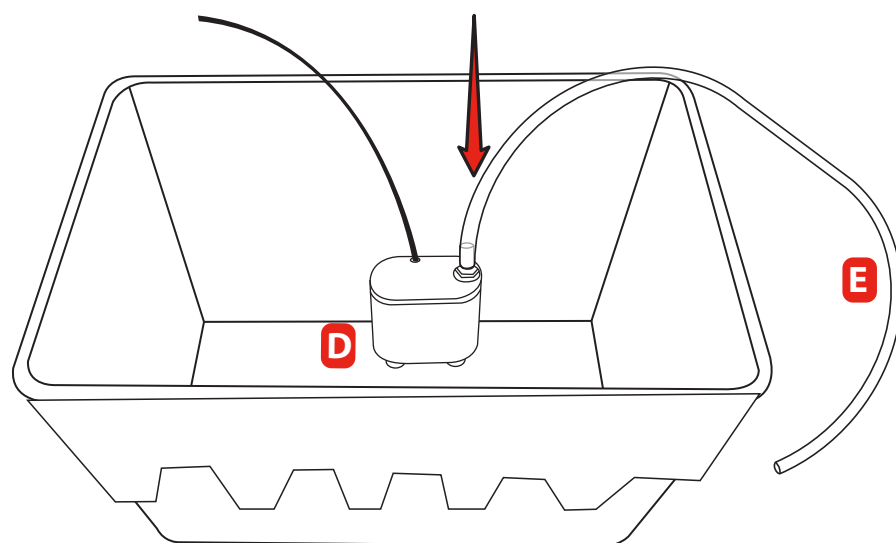
## 7 Secure the Foam Machine the Stand

Lift up and slide out the locks on the stand. Then, slide the foam machine's legs into slots on the stand. Secure it in place by lifting and sliding the locks over the openings on the back of the foam machine.



## 8 Prepare the Pump

Place the pump (D) into the bin and attach the suction cups under the pump to the bottom floor of the bin. Then, insert one side of the hose (E) into the tube of the pump.



**CAUTION - ELECTRICALLY OPERATED PRODUCT.**  
**OPERATION OF BLOWER FAN UNIT NOT RECOMMENDED FOR CHILDREN UNDER 8 YEARS OF AGE. AS WITH ALL ELECTRONIC PRODUCTS, PRECAUTIONS SHOULD BE OBSERVED DURING HANDLING AND USE TO PREVENT ELECTRIC SHOCK.**

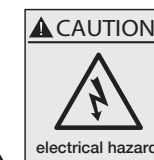
**WARNING: FAILURE TO FOLLOW THESE INSTRUCTIONS COULD RESULT IN SERIOUS INJURY OR DEATH.**

Do not use extension cords with this product. Outdoor use.  
 Read all instructions before assembling this device. Keep instructions for future use.

### WARNING

**ELECTROCUTION RISK:**

- KEEP ALL ELECTRICAL LINES, RADIOS, SPEAKERS AND OTHER ELECTRICAL DEVICES AWAY FROM THE CONSTANT FOAM MAKER.
- DO NOT PLACE THE CONSTANT FOAM MAKER NEAR OR UNDER OVERHEAD ELECTRICAL LINES.



### ⚠ BLOWER CAUTIONS:

- Do not open or try to service the blower. If blower needs servicing, take it to a reputable dealer.
- Clearly mark the path of the power cord to avoid tripping and/or damage by yard equipment such as lawn mowers, etc.
- Do not leave blower unattended.
- Do not allow blower to be used or played with by children.
- Do not cover the air intakes when the blower is being used and do not insert small objects into any part of the blower.
- **WARNING** - Electrical Hazard - DO NOT USE EXTENSION CORDS WITH THIS PRODUCT.
- Disconnect the blower from the power source when moving the blower.
- **WARNING** - To reduce the risk of fire or electric shock, do not use this blower with any solid - state speed control device.
- The blower should be secure to the stand before use.

### BLOWER MAINTENANCE

- Blower must be unplugged before servicing.
- Product should be periodically examined for potentially unsafe conditions such as damaged cord, plug, housing, or parts, and that in the event such damage is found, the product should not be used until properly repaired. If these checks are not carried out, the product could overturn or otherwise become a hazard.
- The blower does not require any lubrication and has no user serviceable parts. Do not attempt to service the blower.
- Do not immerse the blower in water. To clean, wipe with a damp cloth.
- Regularly inspect the intake and output openings and keep free of dirt, leaves, etc.
- When not in use, store the blower indoors in a dry place.
- Store the blower upright on a stable surface.
- Loosely coil the cord and place it beside the blower.
- When in use, do not place the cord across traffic areas, water or damp areas.
- The blower is a high volume blower, capable of moving large volumes of air very quickly. Place the blower in an area where it will not draw in dirt or leaves.
- Do not operate any fan with a damaged cord or plug. Discard fan or return to an authorized service facility for examination and/or repair.
- Do not run cord under carpeting. Do not cover cord with throw rugs, runners, or similar coverings. Do not route cord under furniture or appliances. Arrange cord away from traffic area where it will not be tripped over.

### Disposal

- Disassemble and dispose of the equipment in such a manner that no hazardous conditions exist at the time the equipment is discarded.
- Blower should be returned to a collection center capable of processing electrical/electronic waste.

## ⚠ Safety Warnings: ELECTRICAL BLOWER



### MODEL SW-1L

**BLOWER SPECIFICATIONS: 115V (AC), 60 Hz, 2.8A, 322W**

## DANGER



- ⚠ **DANGER - TO PREVENT ELECTRIC SHOCK, DO NOT IMMERSE IN WATER. WIPE CLEAN WITH DAMP CLOTH.**
- ⚠ **WARNING: FAILURE TO FOLLOW THESE INSTRUCTIONS COULD RESULT IN SERIOUS INJURY OR DEATH. ADULT SET-UP AND SUPERVISION REQUIRED.**

⚠ **CAUTION: The blower is a high volume blower, and is capable of moving lots of air very quickly. Place the blower in an area where it will not suck in dirt or leaves. Keep away from water and traffic. Keep children away from the blower. Only the blower supplied should be used for creating foam.**

### INSTRUCTIONS FOR BLOWER INSTALLATION

**NOTE:** Set up as close to power source as possible. The product should be periodically examined for potentially unsafe conditions such as: damaged cord, plug, housing or parts, and that in the event such damage is found, the product should not be used until properly repaired. Never leave the blower outside in the rain or exposed to the elements when not in use. When in use, do not place the cord across traffic areas, water or damp areas. The blower should be placed on a stable surface and anchored per product instructions. The power cord of the blower is equipped with a Ground Fault Circuit Interrupter (GFCI) plug.

- 1) Make sure that the blower switch is in the "OFF" position. Plug the blower into a properly grounded 110-120V GFCI outlet.
- 2) If the GFCI has been tripped, press the "RESET" button to restore power to the blower.
- 3) Set the power switch of the blower to "ON." After use, turn the power to "OFF."
- 4) To disconnect, have an adult grip it tightly and pull the plug from wall outlet.

⚠ **WARNING: Failure to follow these instructions could result in serious injury or death.**

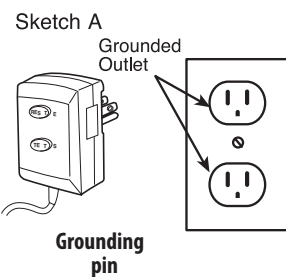
- Cautionary statements should be read before beginning assembly.
- ADULT SET-UP AND SUPERVISION REQUIRED.
- Use only with Ground Fault Circuit Interrupter (GFCI) receptacle.
- This blower is for residential use only. It is not intended to be used in commercial or industrial settings.
- Never insert fingers, pencils or any other object through the grill at ANY time.
- Do not operate blower with a damaged cord or plug, after the appliance malfunctions or has been dropped or damaged in any manner.
- Do not operate in the presence of explosive and/or flammable fumes.
- Never connect the blower to any solid - state speed control device.
- To reduce the risk of fire or electric shock, do not use this blower with any solid-state speed control device.
- **WARNING - Electronic hazard - Do not use extension cords with this product. If power supply cord is too short, have a qualified electrician install an outlet near the appliance.**
- Always unplug the blower before servicing.
- For outdoor use.
- Only install foam machine over grass or concrete surfaces.
- Do not install or use the foam machine during rainy, windy or excessively hot weather.

**⚠ WARNING**  
Electrocution Hazard- DO NOT USE EXTENSION CORDS WITH THIS PRODUCT.

### INSTRUCTIONS FOR BLOWER CLEANING AND STORAGE

Do not immerse the blower in water. Unplug the blower before cleaning. To clean: wipe with a damp cloth. The blower does not require any lubrication and has no user serviceable parts. Do not attempt to service the blower. When not in use, store the blower indoors in a dry place. Store the blower upright on a stable surface. Loosely coil the cord and place it beside the blower.

#### GROUNDING METHODS



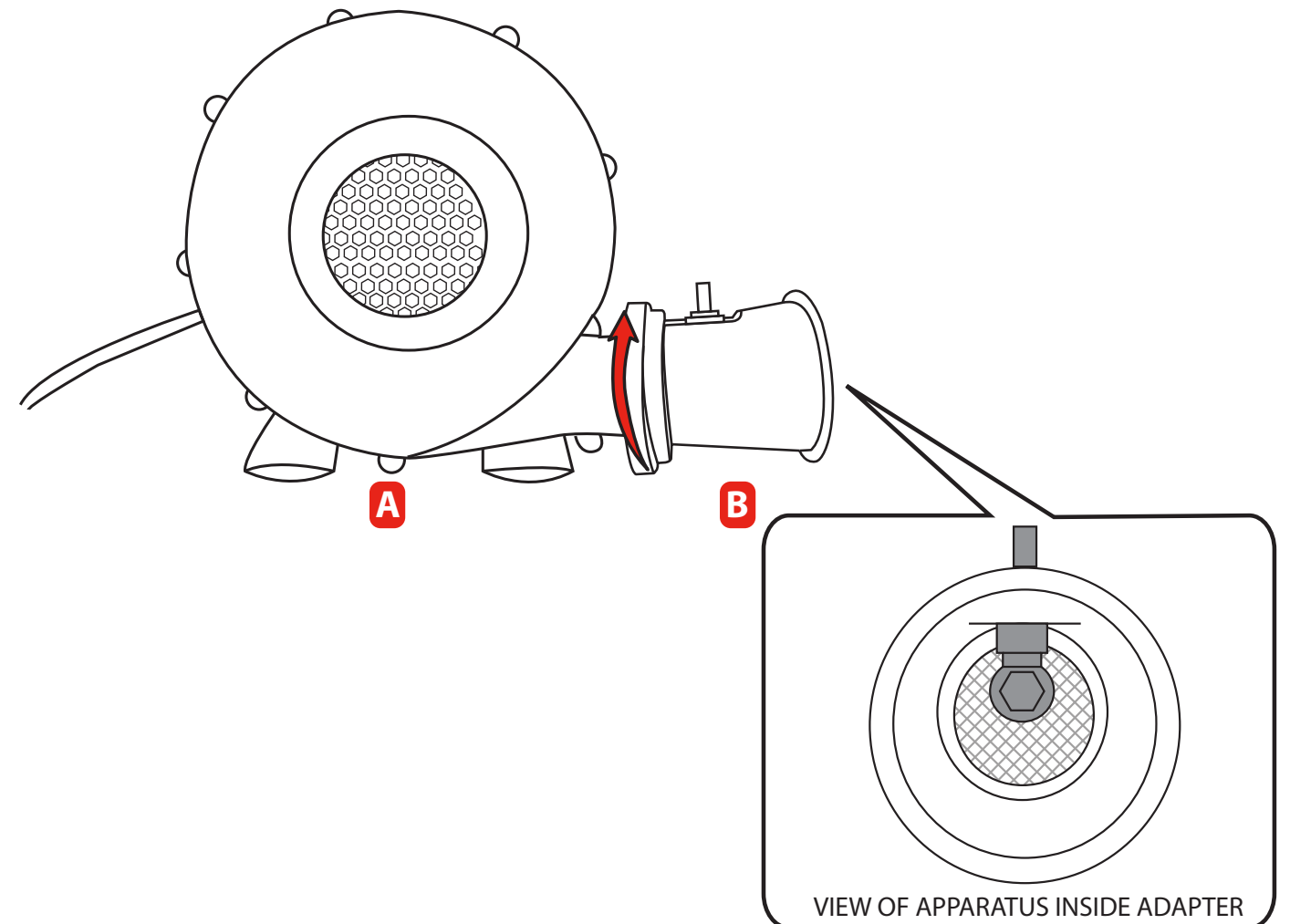
#### USE ONLY ON GFCI PROTECTED RECEPTACLES GROUNDING INSTRUCTIONS FOR ALL GROUNDED, CORD-CONNECTED PRODUCTS

This product should be grounded. In the event of an electrical short circuit, grounding reduces the risk of electric shock by providing an escape wire for the electrical circuit. This product is equipped with a cord having a grounding wire with an appropriate grounding plug. **DANGER - Improper installation of the grounding plug can result in a risk of electric shock.** If repair or replacement of the cord or plug is necessary, do not connect the grounding wire to either flat blade terminal. The wire with insulation having an outer surface that is green, with or without yellow stripes, is the grounding wire. Check with a qualified electrician or serviceman if the grounding instructions are not completely understood, or if in doubt as to whether the product is properly grounded. Do not modify the plug provided; if it will not fit the outlet, have the proper outlet installed by a qualified electrician. This product is for use on a nominal 110-120 volt supply circuit, and has a grounding plug that looks like the plug illustrated in sketch A. Temporary adapters should not be used. Do not use product until a properly grounded outlet (sketch A) can be installed by a qualified electrician.

**This blower is not a toy. Use under the direct supervision of a competent adult. Keep away from children.**  
**THIS INSTRUCTION BOOKLET CONTAINS IMPORTANT SAFETY INFORMATION. PLEASE READ AND KEEP FOR FUTURE REFERENCE.**

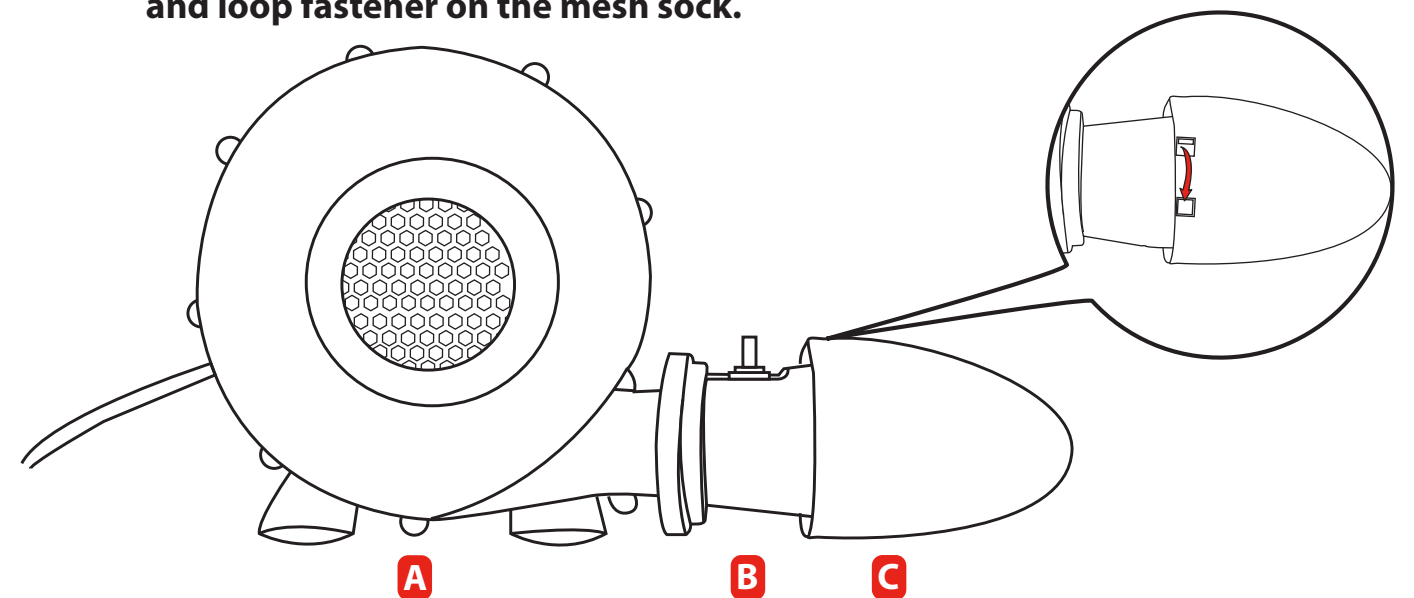
## 5 Assemble the Foam Machine

Attach the adapter (B) to the blower (A). Twist to lock in place, making sure that the foam apparatus is seated on the top of the adapter.



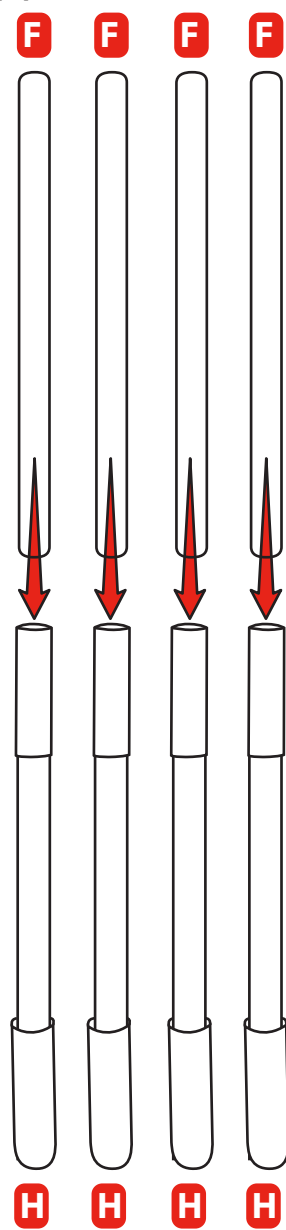
## 6 Time to Add the Mesh Sock

Wrap the mesh sock (C) around the adapter (B). Secure it by closing the hook and loop fastener on the mesh sock.



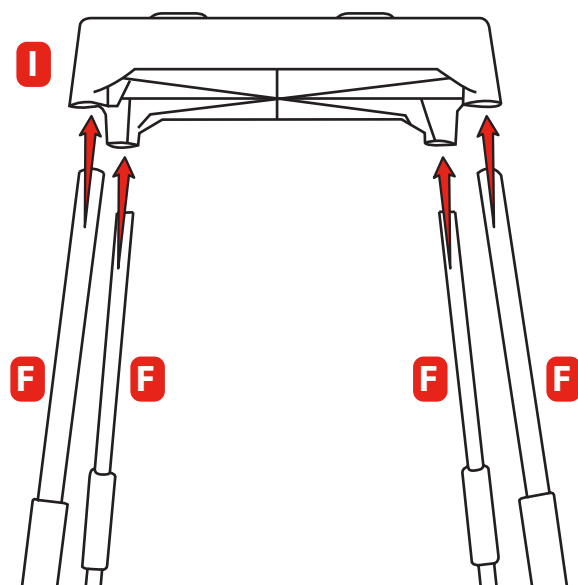
### 3 Finish the Legs

Insert the last four legs (F) into the connectors (H).



### 4 Top it Off

Attach the legs to the bottom of the table (I).



### ! Safety Warnings: BLOWER SET UP Foam play is not intended for indoor use.

**ADULT SUPERVISION AND SET UP REQUIRED. This product should be assembled or disassembled only by a competent adult. Follow all instructions provided.**

**! WARNING! Product can cause slippery surfaces. Falls onto hard surfaces can result in head or other serious injuries. Only use the foam machine on grass or concrete and supervise younger children.**

- WARNING! Only for domestic use. Intended for outdoor domestic family use only. Not for use in public areas or as a rental.
- Product is heavy. Use caution when lifting.
- Product should never be dragged across concrete, pavement or other rough surfaces.
- Do not set up in rainy, windy or excessively hot conditions.
- Set-up in outdoor location only that meets the following criteria:
  - Place on level ground and firm grass or soil.
  - Placing on slanted or uneven surfaces may cause the product to tip.
  - Minimum clearance zones: Place at least 6.6 ft. (2m) away from any other objects.
  - Objects to be avoided include but are not limited to fences, buildings, trees, overhead branches, laundry lines, electrical wires, walls, or bodies or sources of water.

**NOTE:** Position the blower motor perpendicular and leveled. Make sure that the blower is upright on a stable surface. Do not place the blower in an area where it can draw up dirt, leaves and other debris. Make sure that the blower is at least 6.6 ft. (2m) away from any structure or obstacle such as a fence, garage, overhanging branches or electrical wires.

- Electrical cord must not be passed under the device and interfere with its operation.
- The foam maker uses a main powered blower (air pump) to maintain pressure, only to be used by an adult.
- Only the blower supplied should be used for creating foam.
- Do not use extension cords with this product. Set up as close to power source as possible. The blower should be secure on the stand before use.
- CAUTION: the blower is capable of moving large volumes of air very quickly. Place the blower in an area where it will not draw in dirt or leaves. Keep blower and power cord away from children, water and traffic.
- ATTENTION: Blower should remain on and continuously creating foam during use.

### ! Safety Warnings: ELECTRICAL PUMP

- Before using, make sure the power supply is compatible with the pump. This pump is operated by 120V AC, 60Hz, 23W power supply.
- Pump should be periodically examined for potentially unsafe conditions such as damaged cord, plug, housing, or parts, and that in the event such damage is found, the product should not be used until properly repaired. If the plug on the power cable is damaged or cracked, discontinue use immediately.
- If pump is making abnormal noises or has an odor, unplug it from the power supply and do not use until it is properly repaired.
- Only use in water with temperature of 32° F (0° C) to 95° F (35° C), as temperature below or above this range will damage the pump.
- Pump should only be operated in depths of 3.2 ft. (1 m).
- Always handle the product with care. In case of a serious impact, inspect the product and discontinue use if there are signs of damage.
- Disconnect from the power supply when cleaning or installing the pump to prevent electric shock.
- Before connecting or disconnecting, always make sure the power plug and your hands are dry to avoid electric shock.
- Never operate out of the water or allow it run idle for more than five minutes, as this can cause damage to the pump.
- To clean: wipe with a damp cloth.

### ! Safety Warnings: FAILURE TO FOLLOW THESE INSTRUCTIONS COULD RESULT IN SERIOUS INJURY OR DEATH.



Adult supervision required. Do not leave children unattended.



Do not use in windy conditions.



Do not leave out in rain.



Do not allow children to touch fan or electrical cord.

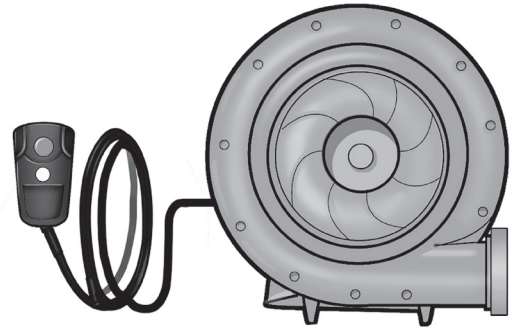
- **Constant, competent adult supervision of children and other young users is required at all times.**
- Keep the area around the product clean, and clear of objects, to prevent slips and falls.
- This product is soapy and can cause certain surfaces to become slippery. Always use caution when walking on slippery surfaces.
- Instruct children on proper use of this product. Do not use in a manner other than intended.
- Helmets, headgear, shoes, glasses, loose clothing, scarves, hoods, or clothing containing drawstrings should not be worn when using this product.
- Instruct children not to attach items to the product that are not specifically designed for use with the equipment.
- Keep pets away from product.
- Do not jump onto or off of product.
- Thoroughly dry before use.
- Always dry product before storage.
- Always check product and all its anchorage points during use, and re-secure, as appropriate.
- As an outdoor product, this foam machine is subject to wear and deterioration. Keep product properly maintained and watch for signs of wearing.
- Always drain product after use. Do not leave product full of water overnight.
- Instruct all children never to drink foam solution.
- Before and during use, check that the blower is properly connected.
- After turning on, the blower should run continuously while children are playing.
- The product should be periodically examined for potentially unsafe conditions such as: damaged cord, plug, housing, or parts, and that in the event such damage is found, the product should not be used until properly repaired. Never leave the fan outside in the rain or elements when not in use. Refer to the instructions for set-up, storage, maintenance and care.



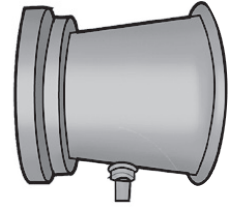
# A Few Things Before You Start!

BEFORE you begin assembly, make sure you have all the parts listed below.  
Questions? We're here to help. Little Tikes® Consumer Service: 1-800-321-0183

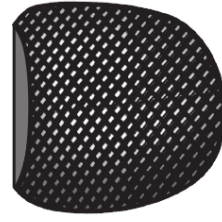
## Foam Machine Parts



**A** Blower



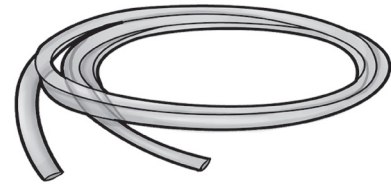
**B** Adapter



**C** Mesh Sock



**D** Pump

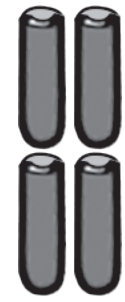


**E** Hose

## Stand Parts



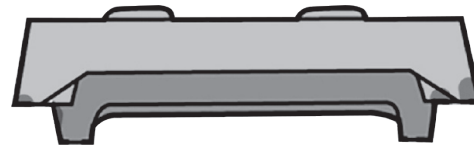
**F** Legs (8)



**G** Feet (4)



**H** Connectors (4)

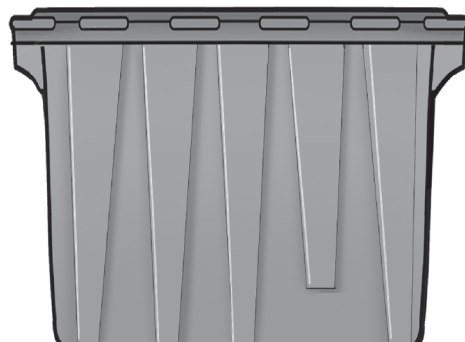


**I** Table

## Foam Accessories



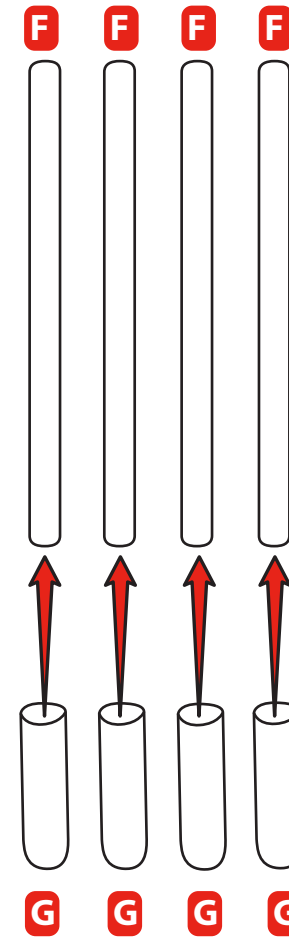
Foam Solution (1)



Bin

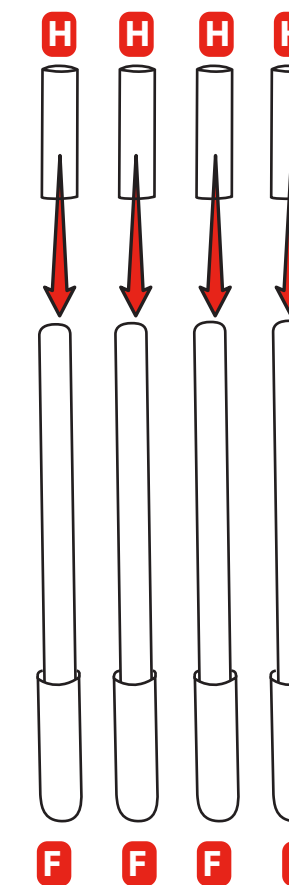
# 1 Start with the Legs

Attach the feet (G) to four legs (F).



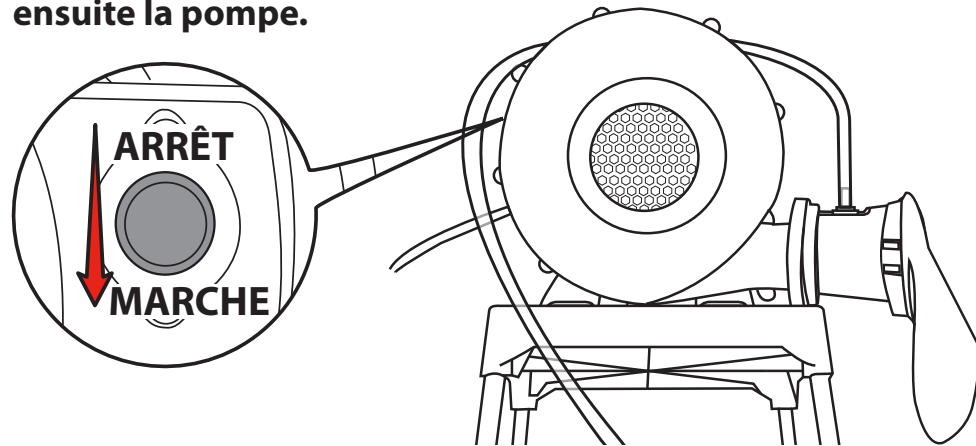
# 2 Add the Connectors

Insert the connectors (H) to the top of the legs (F).



# 11 Commencez la fête avec mousse

Branchez le souffleur et mettez-le en marche en glissant l'interrupteur sur le côté du souffleur de la position **ARRÊT** à **MARCHE**. Branchez ensuite la pompe.



## Trucs pour la fête avec mousse

- Avant de jouer, assurez-vous que les prises électriques sont à une distance sûre de l'eau et de la mousse.
- La machine à mousse peut être placée sur une pelouse ou des surfaces en béton, mais il est recommandé de l'utiliser sur une pelouse.
- Ce produit est savonneux et peut rendre certaines surfaces glissantes. Soyez toujours prudent lorsque vous marchez sur des surfaces glissantes.
- Pour obtenir une mousse plus volumineuse, il est recommandé d'utiliser la machine à mousse dans une zone plus restreinte.
- Pour répartir uniformément la mousse dans de plus grandes zones, un adulte doit retirer le souffleur du support et le déplacer dans l'aire de jeu.
- Un adulte doit toujours surveiller lorsque la machine est en marche pour éviter que des bulles de mousse ne soient aspirées dans la machine.
- Gardez la machine loin de la mousse en tout temps et ne laissez pas la mousse s'élever au-dessus du support.
- N'installez pas la machine par temps venteux ou pluvieux.

## Rangez l'appareil jusqu'à votre prochaine fête !

**Avant de ranger l'appareil**, il est important de vider toute la mousse restante de la pompe. Remplissez le bac au quart avec de l'eau, puis laissez la machine fonctionner pour éliminer toute mousse savonneuse de la pompe. Lorsque la machine aura filtré l'eau, commencez à démonter la machine à mousse tel que décrit ci-dessous.

REMARQUE IMPORTANTE : Laissez le contenu sécher complètement à l'air libre avant de ranger le bac.

1. Éteignez le souffleur. Débranchez ensuite le souffleur et la pompe.
2. Débranchez le tuyau du souffleur et de la pompe. Ensuite, retirez le souffleur du support.
3. Retirez la manche en mailles et laissez-la sécher à l'air libre.
4. Dévissez et retirez l'adaptateur.
5. Démontez le support.
6. Rangez le contenu dans le bac.

## C'est le temps de tout ranger !

- Lorsque la mousse aura séché, arrosez la zone avec de l'eau. Répétez l'opération plusieurs fois jusqu'à ce que la surface ne soit plus glissante.
- Lavez les résidus qui restent sur votre corps avec de l'eau et un savon doux.

## Vous avez des problèmes ?

PROBLÈME	SOLUTION
De la mousse s'est infiltrée dans le souffleur.	Éteignez le souffleur et laissez-le sécher avant de l'utiliser de nouveau.
La mousse n'augmente pas.	<ul style="list-style-type: none"> <li>• Vérifiez le rapport de solution de 5:1. Il devrait y avoir cinq mesures d'eau pour une mesure de solution moussante.</li> <li>• Utilisez-la dans une zone plus restreinte.</li> </ul>
La mousse est trop mouillée.	Vérifiez le rapport de solution de 5:1. Il devrait y avoir cinq mesures d'eau pour une mesure de solution moussante.
La pompe n'aspire pas de l'eau ou l'écoulement est lent.	Assurez-vous que l'appareil est branché et que la source d'alimentation est compatible.
La pompe fait du bruit.	Le niveau d'eau est plus bas que la prise d'eau.
La pompe ne fonctionne pas.	Il pourrait y avoir un problème interne. Contactez le service consommateur au 1-800-321-0183.
Il ne reste plus de solution.	Les recharges FOAMO sont disponibles chez certains détaillants. Visitez <a href="http://www.getfoamo.com">www.getfoamo.com</a> pour obtenir plus d'informations.

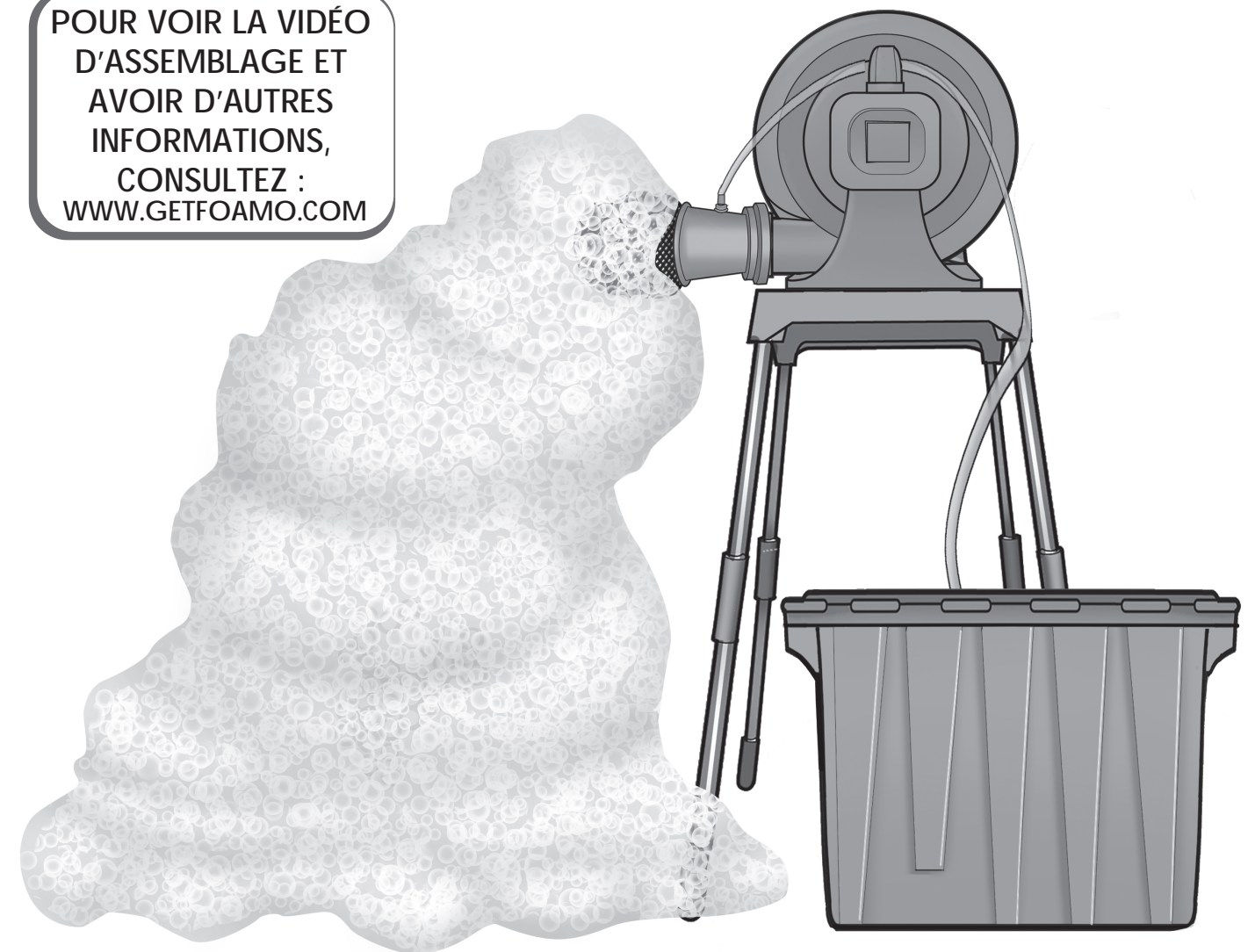
# FOAMO<sup>MC</sup>

SKU : 658679 / 658679C

UN ADULTE DOIT EFFECTUER L'ASSEMBLAGE  
UN ADULTE DOIT EFFECTUER LA SURVEILLANCE

## INSTRUCTIONS D'ASSEMBLAGE

POUR VOIR LA VIDÉO  
D'ASSEMBLAGE ET  
AVOIR D'AUTRES  
INFORMATIONS,  
CONSULTEZ :  
[WWW.GETFOAMO.COM](http://WWW.GETFOAMO.COM)



**Merci d'avoir acheté FOAMO<sup>MC</sup>.**

Nous nous efforçons de fournir un jouet durable, facile à assembler et fait pour durer qui procurera à votre famille des années de divertissement imaginaire et stimulant !



# LISEZ ET GARDEZ CES INSTRUCTIONS INFORMATIONS IMPORTANTES À SAVOIR !

- Lisez d'abord toutes les instructions.
- Dégagez une surface plane pour disposer tous les matériaux afin que tout soit à portée de la main.
- Les illustrations servent de référence seulement. Les styles peuvent différer du contenu réel.
- Merci d'enlever l'emballage, y compris les étiquettes, liens et fils cousus, avant de donner ce produit à un enfant.
- Utilisez uniquement la solution FOAMO<sup>MC</sup> avec ce produit, car d'autres solutions peuvent abîmer la machine. Pour avoir des informations sur les recharges, consultez [www.getfoamo.com](http://www.getfoamo.com).
- **Assurez-vous d'avoir le contenu au complet avant l'assemblage. S'il vous manque des pièces ou si vous avez des questions, nous sommes là pour vous aider. Appelez notre équipe du service consommateur au 1-800-321-0183.**

## Soyons prudents !

### ⚠ ATTENTION !

- UN ADULTE DOIT EFFECTUER L'ASSEMBLAGE.
- Gardez ce manuel, car il renferme des renseignements importants.
- Ce produit est conçu pour un usage familial à l'extérieur uniquement.
- Ce produit est savonneux et peut rendre certaines surfaces glissantes. Soyez toujours prudent lorsque vous marchez sur des surfaces glissantes.
- Gardez toujours les fiches électriques loin de l'eau et de la mousse pour éviter une électrocution.
- Gardez la solution moussante hors de la portée des enfants.
- Une irritation oculaire peut avoir lieu. Gardez la mousse et la solution moussante loin des yeux.
- En cas de contact avec les yeux, rincez avec de l'eau pendant 10-15 minutes.
- N'ingérez pas la mousse ou la solution moussante.
- Ne permettez pas aux enfants de s'asseoir, de marcher, de jouer ou de grimper sur la surface supérieure, car cela pourrait rendre le produit instable.
- Pour mieux nettoyer le produit, utilisez un linge humide.
- ATTENTION ! Ne laissez jamais votre enfant sans surveillance, même pendant un bref moment. Les enfants doivent être constamment surveillés.



« Protégeons l'environnement ! »

Le symbole de poubelle indique que le produit ne doit pas être jeté avec les déchets domestiques. Utilisez les lieux de collecte ou les établissements de recyclage désignés pour mettre cet article au rebut.

© The Little Tikes Company, société MGA Entertainment. LITTLE TIKES<sup>MD</sup> et FOAMO<sup>MC</sup> sont des marques de commerce de Little Tikes aux É.-U. et dans d'autres pays. Les logos, noms, personnages, ressemblances, images, slogans et modèles d'emballages appartiennent à Little Tikes.

Imprimé en Chine • 1120-0-C

### Service consommateur

Service consommateur Little Tikes

[www.littletikes.com](http://www.littletikes.com)

2180 Barlow Road

Hudson, Ohio 44236 U.S.A.

Adresse électronique : [service@littletikescares.com](mailto:service@littletikescares.com)

1-800-321-0183 du lundi au vendredi



### GARANTIE LIMITÉE

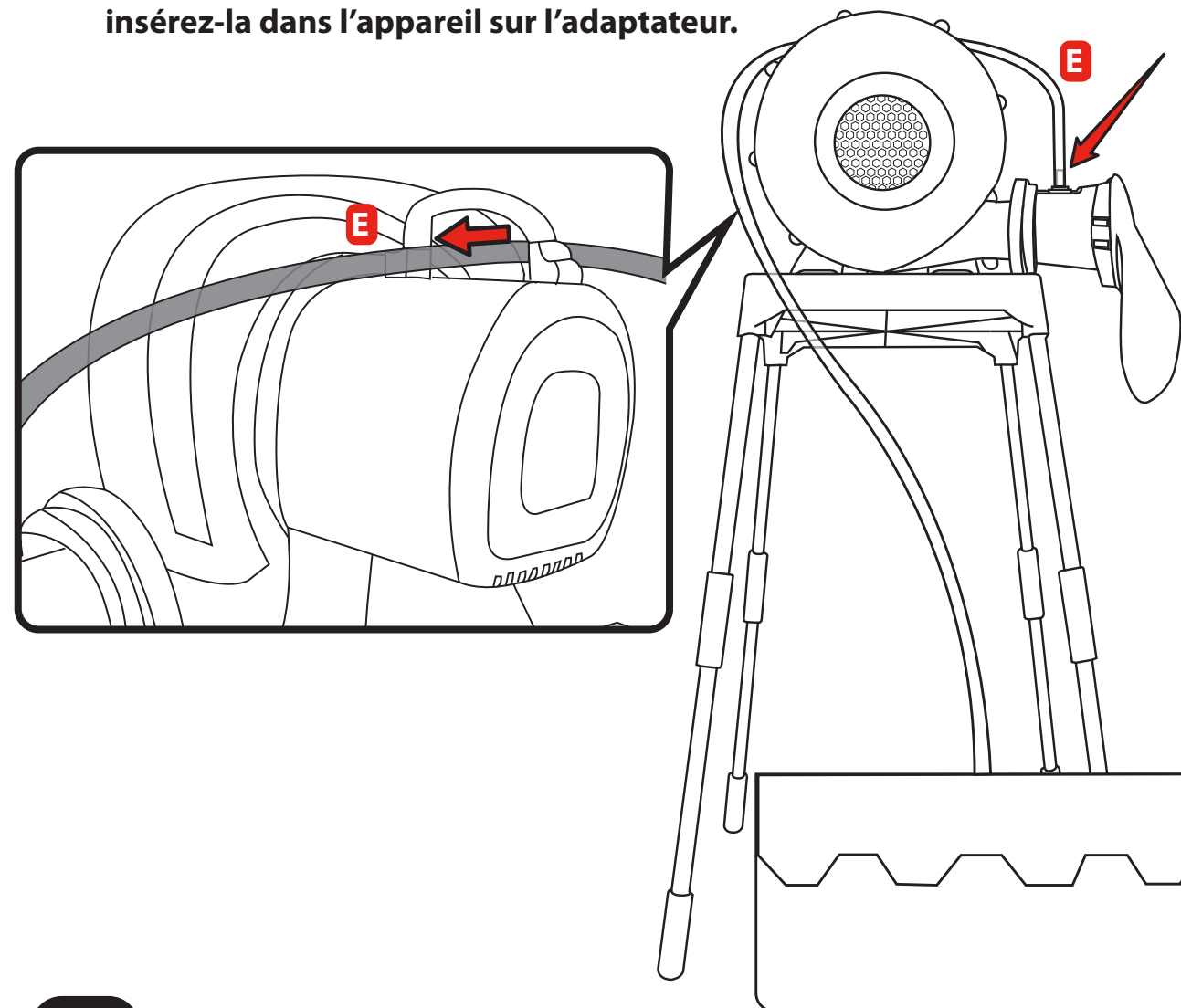
The Little Tikes Company conçoit des jouets amusants et de haute qualité. Nous garantissons à l'acheteur d'origine que ce produit est exempt de défauts de matériaux ou de main-d'œuvre et ce, pendant un an\* à partir de la date d'achat (le reçu de caisse daté est requis comme preuve d'achat). La garantie du tuyau souple inclus avec ce produit est de 90 jours suivant la date d'achat. Au seul gré de The Little Tikes Company, le seul recours offert en vertu de cette garantie sera le remplacement de la pièce défectueuse du produit ou le remplacement du produit. Cette garantie est valide uniquement si le produit a été assemblé et entretenu conformément aux instructions. Cette garantie ne couvre pas l'abus, les accidents, les problèmes cosmétiques, comme la décoloration ou les éraflures, causés par l'usure normale, ni les autres causes ne découlant pas de défauts de matériaux et de fabrication. \*La période de garantie est de trois (3) mois pour les garderies ou les acheteurs commerciaux.

États-Unis et Canada : pour obtenir des informations sur le service sous garantie ou les pièces de rechange, consultez notre site Web sur [www.littletikes.com](http://www.littletikes.com), composez le numéro 1-800-321-0183 ou écrivez à : Service à la clientèle, The Little Tikes Company, 2180 Barlow Road, Hudson, OH 44236 U.S.A. Certaines pièces de rechange peuvent être achetées après l'expiration de la garantie. Contactez-nous pour obtenir plus de détails.

À l'extérieur des États-Unis et du Canada : contactez le lieu d'achat pour les services sous garantie. Cette garantie donne des droits juridiques spécifiques et l'utilisateur peut aussi jouir d'autres droits, lesquels varient d'un pays/État à l'autre. Certains pays/États ne permettent pas l'exclusion ou la restriction des dommages accessoires ou indirects, ainsi la restriction ou l'exclusion mentionnée ci-dessus peut ne pas s'appliquer.

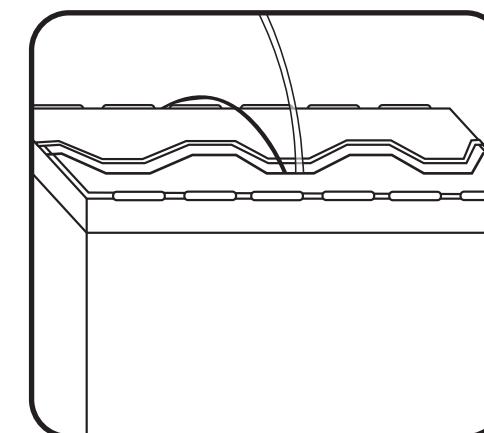
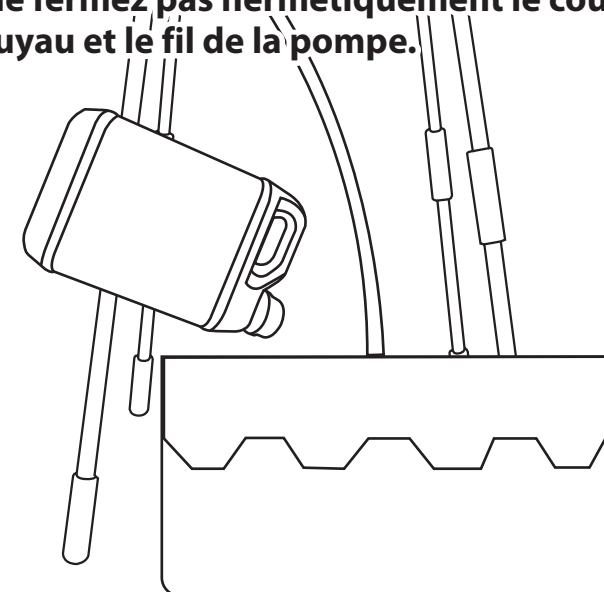
## 9 Branchez l'autre extrémité du tuyau souple

Glissez l'autre extrémité du tuyau souple (E) dans la poignée du souffleur et insérez-la dans l'appareil sur l'adaptateur.



## 10 Rapport 5:1 de la solution

Lorsque vous ajoutez la solution, assurez-vous de verser cinq mesures d'eau à une mesure de solution moussante. Versez toute la bouteille de solution moussante dans le bac. Remplissez la même bouteille d'eau cinq fois et ajoutez l'eau à la solution. Ensuite, fermez légèrement le couvercle. Ne fermez pas hermétiquement le couvercle pour éviter d'endommager le tuyau et le fil de la pompe.

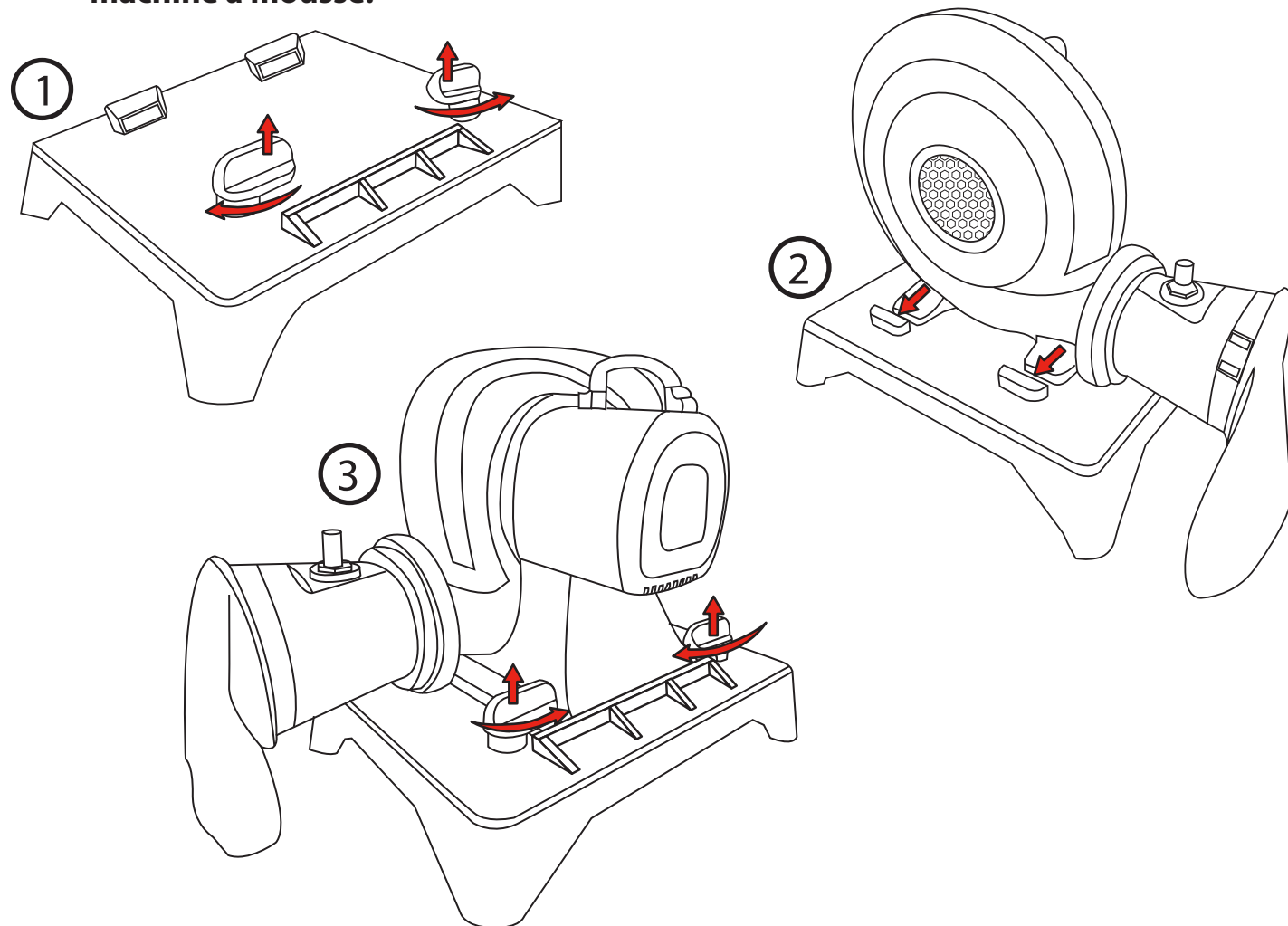


Fermez le couvercle en évitant de pincer le tuyau souple et le fil.



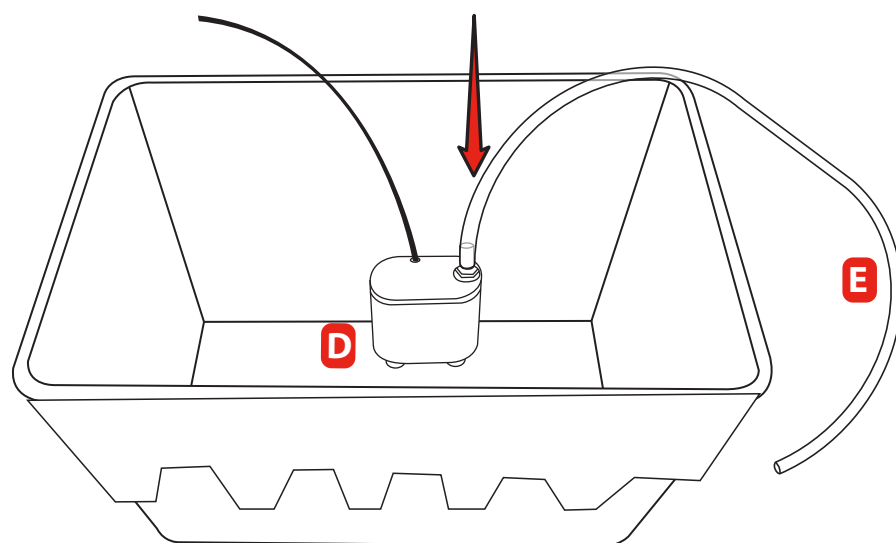
## 7 Posez la machine à mousse sur le support

Soulevez et faites glisser les verrous du support. Glissez ensuite les pieds de la machine à mousse dans les fentes du support. Retenez-la en place en soulevant et en faisant glisser les verrous sur les ouvertures à l'arrière de la machine à mousse.



## 8 Préparez la pompe

Placez la pompe (D) dans le bac et fixez les ventouses sous la pompe au fond du bac. Insérez ensuite un côté du tuyau souple (E) dans le tube de la pompe.



### ATTENTION : PRODUIT ÉLECTRIQUE

**LE FONCTIONNEMENT DU SOUFFLEUR N'EST PAS RECOMMANDÉ POUR DES ENFANTS DE MOINS DE 8 ANS. COMME POUR TOUS LES PRODUITS ÉLECTRONIQUES, DES PRÉCAUTIONS DOIVENT ÊTRE OBSERVÉES DURANT LA MANUTENTION ET L'UTILISATION POUR ÉVITER LES CHOCS ÉLECTRIQUES.**

**ATTENTION : LE NON-RESPECT DE CES INSTRUCTIONS POURRAIT ENTRAÎNER DES BLESSURES GRAVES, VOIRE MORTELLES.**

N'utilisez pas de rallonges avec ce produit. Usage extérieur.

Lisez toutes les instructions avant d'assembler cet appareil. Gardez les instructions pour usage futur.

### ATTENTION

DANGER D'ÉLECTROCUTION :

- GARDEZ LES FILS ÉLECTRIQUES, RADIOS, HAUT-PARLEURS ET AUTRES APPAREILS ÉLECTRIQUES ÉLOIGNÉS DE LA MACHINE À MOUSSE EN MARCHÉ.
- NE PLACEZ PAS LA MACHINE À MOUSSE EN MARCHÉ PRÈS DE FILS ÉLECTRIQUES NI SOUS DES FILS ÉLECTRIQUES AÉRIENS.



**⚠ PRÉCAUTIONS POUR LE SOUFFLEUR :**

- N'ouvrez pas ou n'essayez pas de réparer le souffleur. Si le souffleur a besoin d'être réparé, apportez-le à un commerçant réputé.
- Marquez clairement le trajet du cordon d'alimentation pour éviter de trébucher et/ou de l'endommager par des accessoires de jardin, comme les tondeuses, etc.
- Ne laissez pas le souffleur sans surveillance.
- Ne permettez pas aux enfants d'utiliser le souffleur ou de jouer avec le souffleur.
- Ne couvrez pas les prises d'air lorsque le souffleur est en marche et n'insérez pas de petits objets dans une partie quelconque du souffleur.
- **ATTENTION** : danger électrique. – N'UTILISEZ PAS DE RALLONGES AVEC CE PRODUIT.
- Débranchez le souffleur de la source d'alimentation lorsque vous le déplacez.
- **ATTENTION** : Pour réduire le risque de feu ou de choc électrique, n'utilisez pas ce souffleur avec un appareil de contrôle de vitesse à semi-conducteurs.
- Le souffleur doit être retenu au support avant l'utilisation.

### ENTRETIEN DU SOUFFLEUR

- Le souffleur doit être débranché avant d'être entretenu ou réparé.
  - Le produit doit être examiné périodiquement pour voir s'il présente des conditions dangereuses comme cordon, fiche, boîtier ou pièces endommagés et, en cas d'endommagement, le produit ne doit être utilisé qu'après avoir été réparé correctement. Si ces vérifications ne sont pas effectuées, le jouet pourrait se retourner et poser un risque.
  - Le souffleur n'exige aucune lubrification et ne comporte aucune pièce réparable par l'utilisateur. N'essayez pas de réparer le souffleur.
  - Ne plongez pas le souffleur dans l'eau. Pour le nettoyer, essuyez-le avec un linge humide.
  - Examinez régulièrement les ouvertures de prise d'air et de sortie d'air et gardez-les exemptes de saleté, feuilles, etc.
  - Lorsque le souffleur n'est pas utilisé, rangez-le à l'intérieur dans un lieu sec.
  - Rangez le souffleur verticalement sur une surface stable.
  - Enroulez le cordon sans trop le serrer et placez-le à côté du souffleur.
  - Lors de l'utilisation, ne placez pas le cordon dans des zones de circulation, dans l'eau ou dans les zones humides.
  - Le souffleur est un appareil à grand volume capable de déplacer très rapidement de grandes quantités d'air. Placez-le dans un endroit où il ne risque pas d'aspirer de la saleté ou des feuilles.
  - Ne faites pas fonctionner le ventilateur si la fiche ou le cordon est endommagé. Jetez le ventilateur ou apportez-le à un centre de réparations autorisé pour le faire examiner et/ou réparer.
  - Ne faites pas passer le cordon sous un tapis. Ne couvrez pas le cordon de carpettes, chemins de couloir ou autres tapis de sol similaires. N'acheminez pas le cordon sous des meubles ou des électroménagers.
- Disposez le cordon loin de la zone de circulation où il ne risquera pas de faire trébucher.

### Mise au rebut

- Démontez et jetez l'équipement de façon à ce qu'il n'existe aucune condition dangereuse lors de la mise au rebut de l'équipement.
- Le souffleur devrait être retourné à un centre de collecte capable de traiter les déchets électriques/électroniques.

## ⚠ Mises en garde : SOUFFLEUR ÉLECTRIQUE



### MODÈLE SW-1L

SPÉCIFICATIONS DU SOUFFLEUR : 115 V (CA),  
60 Hz, 2,8 A, 322 W

## DANGER



- ⚠ **DANGER : POUR PRÉVENIR UN CHOC ÉLECTRIQUE, NE LE PLONGEZ PAS DANS L'EAU. ESSUYEZ-LE AVEC UN LINGE HUMIDE.**
- ⚠ **ATTENTION : NE PAS SUIVRE CES INSTRUCTIONS POURRAIT ENTRAÎNER DES BLESSURES GRAVES, VOIRE LA MORT. UN ADULTE DOIT EFFECTUER LE MONTAGE ET LA SURVEILLANCE.**

⚠ **ATTENTION : Le souffleur est un appareil à grand volume capable de déplacer très rapidement de grandes quantités d'air. Placez-le dans un endroit où il ne risque pas d'aspirer de la saleté ou des feuilles. Gardez le souffleur loin de l'eau et de la circulation. Gardez les enfants loin du souffleur. Seul le souffleur fourni doit être utilisé pour créer la mousse.**

#### INSTRUCTIONS POUR L'INSTALLATION DU SOUFFLEUR

**REMARQUE :** Montez le produit aussi près que possible d'une source d'alimentation. Le produit doit être examiné périodiquement pour vérifier l'absence de conditions potentiellement dangereuses telles que : cordon, fiche, boîtier ou pièces endommagés et, en cas d'endommagement, le produit ne doit être utilisé qu'après avoir été réparé correctement. Ne laissez jamais le souffleur dehors, exposé à la pluie ou aux intempéries lorsqu'il n'est pas en usage. Lorsqu'il est en usage, ne placez pas le cordon sur des voies de circulation, de l'eau ou des surfaces humides. Le souffleur doit être placé sur une surface stable et être ancré conformément aux instructions du produit. Le cordon d'alimentation du souffleur est doté d'un disjoncteur différentiel de fuite à la terre (DDFT).

- 1) Veillez à ce que l'interrupteur du souffleur soit sur la position « OFF ». Branchez le souffleur dans une prise de 110 V – 120 V mise à la terre.
- 2) Si le DDFT a été déclenché, appuyez sur le bouton « RESET » (REMISE À ZÉRO) pour rétablir le courant au souffleur.
- 3) Glissez l'interrupteur du souffleur sur « ON ». Après utilisation, coupez l'alimentation en glissant l'interrupteur sur « OFF ».
- 4) Pour débrancher, un adulte doit tenir fermement la fiche et la retirer de la prise murale.

⚠ **Attention : Le non-respect de ces instructions pourrait entraîner des blessures graves, voire mortelles.**

- Les mises en garde doivent être lues avant le début de l'assemblage.
- UN ADULTE DOIT EFFECTUER LE MONTAGE ET LA SURVEILLANCE.
- Utilisez uniquement avec un disjoncteur différentiel de fuite à la terre (DDFT).
- Ce souffleur doit uniquement servir à un usage résidentiel. Il n'est pas conçu pour un usage commercial ou industriel.
- N'insérez JAMAIS les doigts, des crayons ou d'autres objets dans la grille.
- Ne faites pas fonctionner le souffleur si le cordon ou la fiche est endommagé, si son fonctionnement est défectueux ou s'il est tombé ou a subi quelque dommage que ce soit.
- N'utilisez pas le produit à proximité de vapeurs explosives et/ou inflammables.
- Ne branchez jamais le souffleur à un appareil de commande de vitesse à semi-conducteurs.
- Pour réduire le risque d'incendie ou de choc électrique, n'utilisez pas ce souffleur avec un appareil de commande de vitesse à semi-conducteurs.
- ATTENTION : Danger électronique. N'utilisez pas de rallonges avec ce produit. Si le cordon d'alimentation est trop court, faites installer une prise de courant près de l'appareil par un électricien qualifié.
- Débranchez toujours le souffleur avant de l'entretenir.
- Pour usage extérieur.
- Installez uniquement la machine à mousse sur une pelouse ou des surfaces en béton.
- N'installez pas et n'utilisez pas la machine à mousse par temps pluvieux, venteux ou excessivement chaud.

### ⚠ ATTENTION

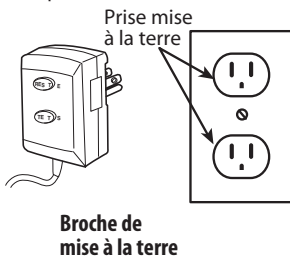
**Danger d'électrocution : N'UTILISEZ PAS DE RALLONGES AVEC CE PRODUIT.**

#### INSTRUCTIONS POUR LE NETTOYAGE ET LE RANGEMENT DU SOUFFLEUR

Ne plongez pas le souffleur dans l'eau. Débranchez le souffleur avant de le nettoyer. Pour nettoyer : essuyez-le avec un chiffon humide. Le souffleur n'exige aucune lubrification et ne comporte pas de pièces réparables par l'utilisateur. N'essayez pas de réparer le souffleur. Lorsqu'il n'est pas en usage, rangez le souffleur à l'intérieur dans un endroit sec. Rangez le souffleur en position verticale sur une surface stable. Enroulez le cordon sans le serrer et placez-le à côté du souffleur.

#### MÉTHODES DE MISE À LA TERRE

Croquis A



#### UTILISEZ UNIQUEMENT DANS DES PRISES PROTÉGÉES PAR UN DDFT ⚠ ATTENTION ⚠ INSTRUCTIONS DE MISE À LA TERRE POUR TOUS LES PRODUITS MIS À LA TERRE CONNECTÉS PAR UN CORDON

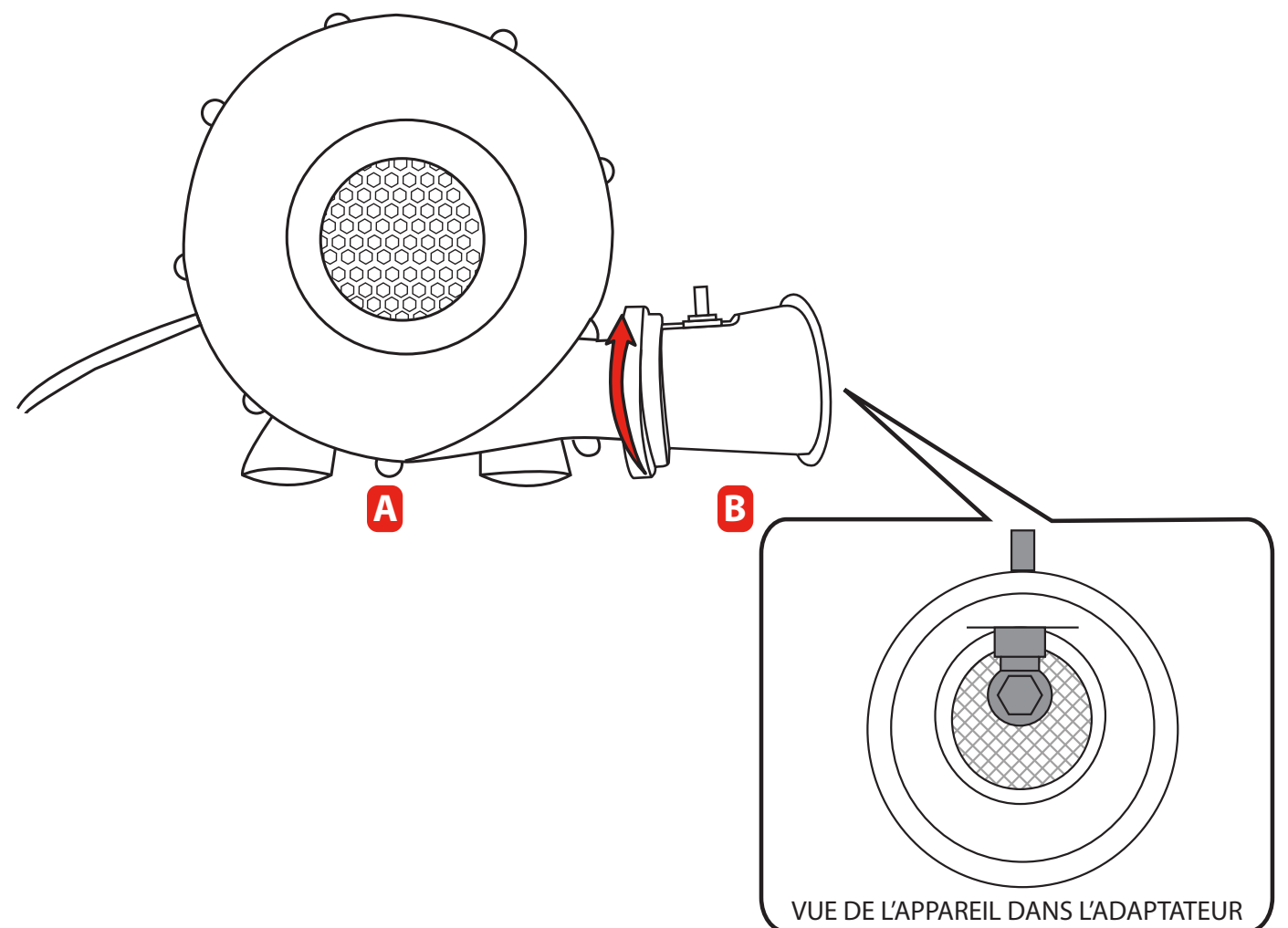
Ce produit doit être mis à la terre. En cas de court-circuit électrique, la mise à la terre réduit le risque de choc électrique grâce à un fil permettant au courant de s'échapper. Ce produit est muni d'un cordon comportant un fil de mise à la terre avec une fiche de mise à la terre appropriée. DANGER : L'installation incorrecte de la fiche de mise à la terre peut poser un risque de choc électrique. S'il est nécessaire de réparer ou de remplacer le cordon ou la fiche, ne raccordez le fil de mise à la terre ni à l'une ni à l'autre des bornes à lame plate. Le fil dont l'isolant a une surface extérieure verte, avec ou sans rayures jaunes, est le fil de mise à la terre. En cas de difficultés à comprendre les instructions ou de doute sur la mise à la terre correcte du produit, adressez-vous à un électricien ou à un dépanneur qualifié. Ne modifiez pas la fiche fournie; si elle ne s'adapte pas à la prise, faites installer une prise appropriée par un électricien qualifié. Ce produit doit être utilisé sur un circuit nominal de 110-120 volts ayant une fiche de mise à la terre comme celle illustrée sur le croquis A. N'utilisez pas d'adaptateurs provisoires. N'utilisez pas ce produit tant qu'une prise correctement mise à la terre (croquis A) n'aura pas été installée par un électricien qualifié.

**Ce souffleur n'est pas un jouet. Utilisez-le sous la surveillance directe d'un adulte capable. Gardez-le hors de la portée des enfants.**

**CE LIVRET D'INSTRUCTIONS CONTIENT DES INFORMATIONS IMPORTANTES SUR LA SÉCURITÉ. VEUILLEZ LE LIRE ET LE GARDER POUR RÉFÉRENCE FUTURE.**

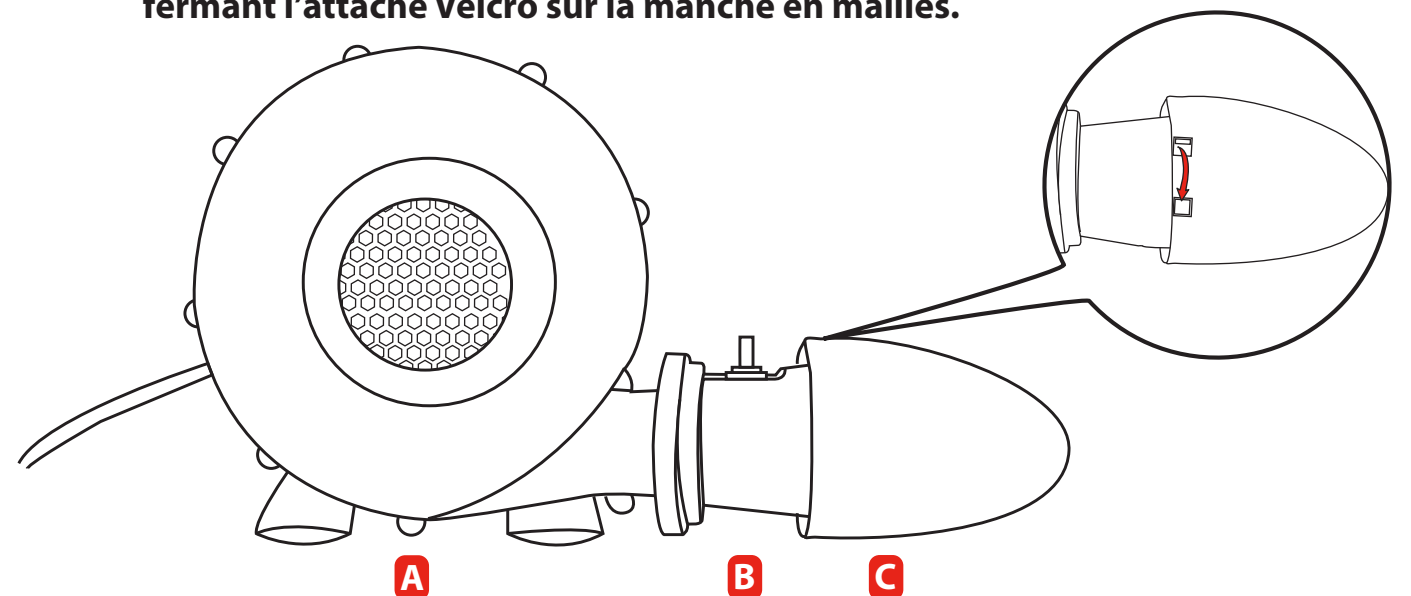
## 5 Assemblez la machine à mousse

Fixez l'adaptateur (B) au souffleur (A). Tournez pour verrouiller, en vous assurant que l'appareil à mousse repose sur l'adaptateur.



## 6 Il est temps d'ajouter la manche en mailles

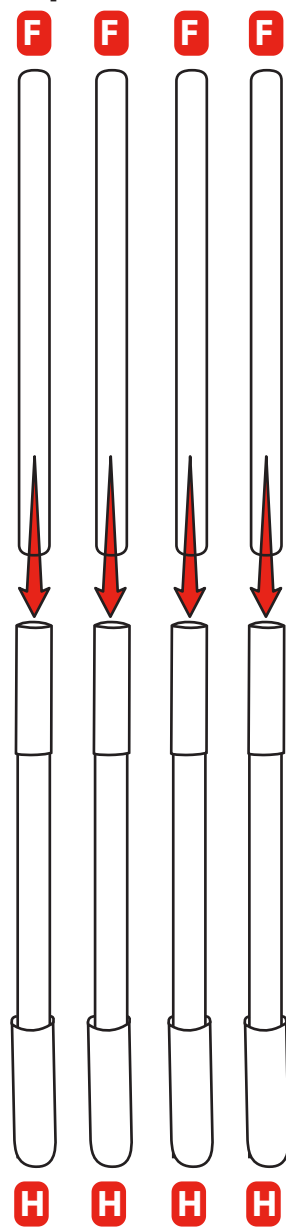
Enroulez la manche en mailles (C) autour de l'adaptateur (B). Retenez-la en fermant l'attache Velcro sur la manche en mailles.



3

## Terminez les pieds

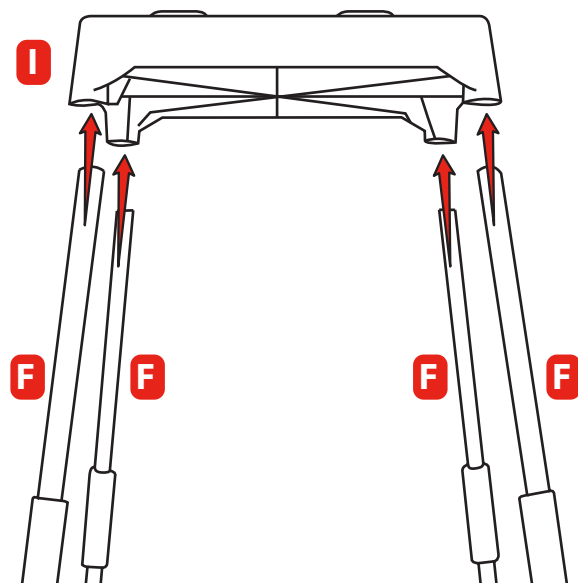
Insérez les quatre derniers pieds (F) dans les connecteurs (H).



4

## Posez la partie supérieure

Fixez les pieds sous la table (I).



## Mises en garde : MONTAGE DU SOUFFLEUR

Le jeu avec mousse n'est pas destiné pour un usage à l'intérieur.

**UN ADULTE DOIT EFFECTUER LA SURVEILLANCE ET LE MONTAGE. Ce produit doit être monté ou démonté uniquement par un adulte capable. Suivez toutes les instructions fournies.**

**ATTENTION ! Le produit peut causer des surfaces glissantes. Des chutes sur des surfaces dures peuvent entraîner des blessures à la tête ou d'autres blessures graves. Utilisez uniquement la machine à mousse sur une pelouse ou du béton et surveillez les enfants plus jeunes.**

- Le produit est lourd. Soyez prudent lorsque vous le soulevez.
- Le produit ne doit jamais être traîné sur du béton, un dallage ou d'autres surfaces rugueuses.
- Ne le montez pas par temps pluvieux, venteux ou excessivement chaud.
- Montez-le à l'extérieur uniquement s'il répond aux critères suivants :
  - Placez-le sur un terrain plat et sur une pelouse ou de la terre ferme.
  - L'installation sur des surfaces inclinées ou inégales peut faire basculer le produit.
  - Zones minimales d'espacement : Placez-le à au moins 2 m (6,6 pi) des autres objets.
  - Les objets à éviter sont, sans s'y restreindre, les clôtures, édifices, arbres, branches hautes, cordes à linge, fils électriques, murs ou cours d'eau.

**REMARQUE :** Positionnez le moteur du souffleur perpendiculairement et de niveau. Assurez-vous que le souffleur est en position verticale sur une surface stable. Ne placez pas le souffleur à un endroit où il pourrait aspirer de la saleté, des feuilles et d'autres débris. Assurez-vous que le souffleur est à au moins 2 m (6,6 pi) de toute structure ou obstacle, comme une clôture, un garage, des branches hautes ou des fils électriques.



## Consignes de sécurité : POMPE ÉLECTRIQUE

- Avant l'utilisation, assurez-vous que l'alimentation est compatible avec la pompe. Cette pompe utilise une alimentation de 120 V CA, 60 Hz, 23 W.
- La pompe doit être examinée périodiquement pour vérifier l'absence de conditions potentiellement dangereuses telles que : cordon, fiche, boîtier ou pièces endommagés et, en cas d'endommagement, le produit ne doit être utilisé qu'après avoir été réparé correctement. Si la fiche du cordon d'alimentation est abîmée ou fissurée, cessez l'utilisation immédiatement.
- Si la pompe fait un bruit anormal ou si elle a une odeur, débranchez-la de la prise de courant et ne l'utilisez pas tant qu'elle n'aura pas été réparée correctement.
- Utilisez-la uniquement dans une eau avec température de 0° C (32° F) à 35° C (95° F), car des températures inférieures ou supérieures à cette gamme endommageront la pompe.
- La pompe doit seulement fonctionner à des profondeurs de 1 m (3,2 pi).
- Maniez toujours le produit prudemment. En cas de choc grave, examinez le produit et cessez de l'utiliser s'il présente des signes de dommages.
- Débranchez-le de la prise de courant avant de le nettoyer ou d'installer la pompe pour prévenir un choc électrique.
- Avant de brancher ou de débrancher la pompe, assurez-vous toujours que la fiche et vos mains sont sèches pour éviter tout choc électrique.
- Ne faites jamais fonctionner la pompe hors de l'eau et ne la laissez pas tourner à vide pendant plus de cinq minutes, car cela pourrait l'endommager.
- Pour la nettoyer : essuyez-la avec un linge humide.



## Mises en garde : NE PAS SUIVRE CES INSTRUCTIONS POURRAIT CAUSER DE GRAVES BLESSURES, VOIRE LA MORT.



Surveillance par un adulte requise. Ne laissez pas les enfants sans surveillance.



N'utilisez pas par temps venteux.



Ne le laissez pas sous la pluie.



Ne laissez pas les enfants toucher au ventilateur ou au cordon électrique.

- **La surveillance constante des enfants et d'autres jeunes utilisateurs par un adulte capable est requise en tout temps.**
- Gardez la zone entourant le produit propre et exempte d'objets pour prévenir les glissades et les chutes.
- Ce produit est savonneux et peut rendre certaines surfaces glissantes. Soyez toujours prudent lorsque vous marchez sur des surfaces glissantes.
- Montrez aux enfants l'utilisation appropriée de ce produit. Ne l'utilisez pas de manière autre que celle prévue.
- Les casques, couvre-chefs, chaussures, lunettes, vêtements amples, foulards, capuchons ou vêtements avec cordons ne doivent pas être portés lors de l'utilisation de ce produit.
- Apprenez aux enfants à ne pas attacher au produit des articles qui ne sont pas spécifiquement conçus pour être utilisés avec l'équipement.
- Tenez les animaux domestiques éloignés de ce produit.
- Ne sautez pas sur le produit ou hors du produit.
- Séchez-le bien avant l'utilisation.
- Séchez toujours bien le produit avant de le ranger.
- Vérifiez toujours le produit et tous ses points d'ancrage avant l'emploi et durant l'emploi et gonflez et ancrez le produit au besoin.
- En tant que produit d'extérieur, cette machine à mousse est sujette à l'usure et à la détérioration. Veillez à ce que le produit soit correctement entretenu et surveillez les signes d'usure.

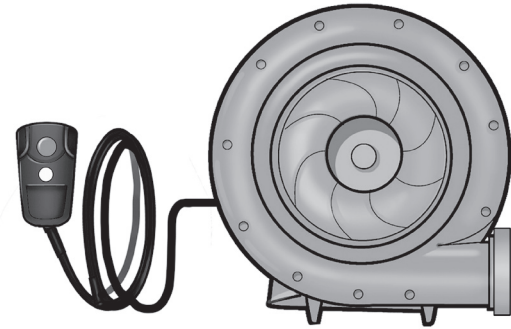
- Égouttez toujours le produit après utilisation. Ne laissez pas le produit rempli d'eau pendant la nuit.
- Apprenez à tous les enfants à ne jamais boire la solution moussante.
- Avant et durant l'utilisation, vérifiez si le souffleur est correctement branché.
- Après avoir mis le produit en marche, le souffleur doit fonctionner continuellement lorsque les enfants jouent.
- Le produit doit être examiné périodiquement pour détecter les conditions potentiellement dangereuses telles que : cordon, fiche, boîtier ou pièces endommagés et, en cas d'endommagement, le produit ne doit être utilisé qu'après avoir été réparé correctement. Ne laissez jamais le souffleur dehors exposé à la pluie ou aux intempéries lorsqu'il n'est pas en usage. Référez-vous aux instructions de montage, rangement et entretien.



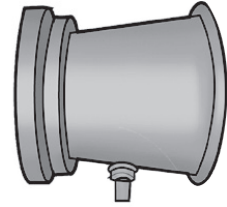
# Quelques éléments avant de commencer !

AVANT de commencer l'assemblage, assurez-vous d'avoir toutes les pièces énumérées ci-dessous.  
Questions ? Nous sommes là pour vous aider. Service consommateur de Little Tikes<sup>MD</sup> : 1-800-321-0183

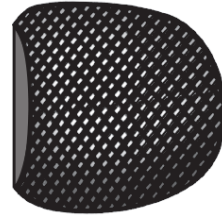
## Pièces de la machine à mousse



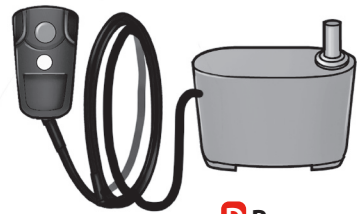
**A** Souffleur



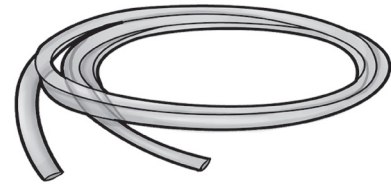
**B** Adaptateur



**C** Manche en mailles



**D** Pompe



**E** Tuyau souple

## Pièces du support



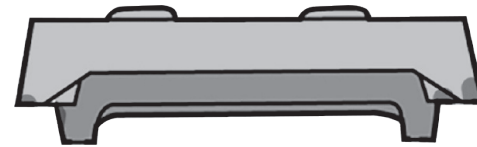
**F** Pieds (8)



**G** Opercules (4)



**H** Connecteurs (4)

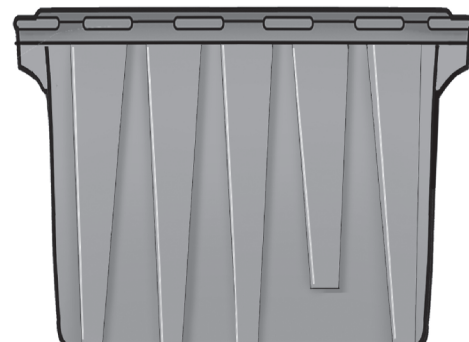


**I** Table

## Accessoires à mousse



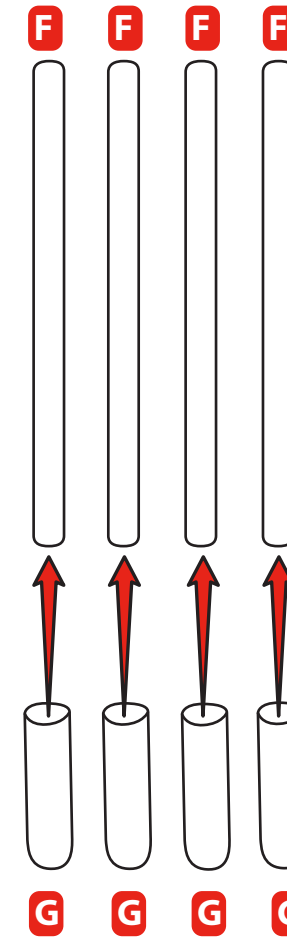
Solution moussante (1)



Bac

# 1 Commencez par les pieds

Fixez les opercules (G) aux quatre pieds (F).



# 2 Ajoutez les connecteurs

Fixez les connecteurs (H) à la partie supérieure des pieds (F).

