



# Chompin' Dino Trike

3-5  
YEARS

SKU: 658556C3

ADULT ASSEMBLY REQUIRED  
ADULT BATTERY INSTALLATION REQUIRED

## ASSEMBLY INSTRUCTIONS



**Thank you for choosing the Little Tikes® Chompin' Dino.**  
We strive to provide a durable, easy-to-assemble toy that is made to last,  
giving your child years of imaginative, engaging fun!



PLEASE READ INSTRUCTIONS  
BEFORE ASSEMBLING AND OPERATING.

Please save sales receipt for proof of purchase.

**⚠ WARNING: ADULT ASSEMBLY REQUIRED.**

- Read entire instructions carefully before assembling this product.

**⚠ WARNING: ASSEMBLY**

- Keep these instructions for future reference.
- Prior to assembly, this package contains small parts: hardware which is a choking hazard and may contain sharp edges and sharp points. Keep away from children until assembled.
- Ensure working area is free of danger. Always dispose of packaging material in such a way that it may not cause any harm. Plastic bags can be dangerous. To avoid suffocation, keep plastic bags away from babies and children.
- To prevent serious injury, children must not use the equipment until completely assembled.
- This product is intended for outdoor domestic family use only.
- This product is for private, residential use only (no commercial or public use).
- Adult assembly required. Choking hazard to children under the age of 3 years - contains small parts prior to assembly.

**ASSEMBLY HINT**

Assemble all parts together loosely at first. Check that assembly is correct, then tighten all screws.

**⚠ WARNING: TO AVOID SERIOUS INJURY:**

- Continuous adult supervision required.
- Never use near motor vehicles.
- Never use near streets, swimming pools, hills, steps, or sloped driveways.
- Always wear closed shoes when using the tricycle.
- Never allow more than one rider on the tricycle.
- Instruct children on proper use of this product before allowing them to ride.
- This product is not to be used in a manner other than for which it is intended.
- It is recommended that rider always wear a properly fitted helmet that complies with U. S. Consumer Product Safety Commission (CPSC) standard 16 CFR 1203.
- Ride-on toys should be used with caution since skill is required in order to avoid falls or collisions which may cause injury to the user or third parties.

**⚠ WARNING!** Not to be used by children over the age of five (5) years due to size limitation.

- Intended for children 3 to 5 years.
- Maximum child's weight: 50 lbs. (23 kg).
- Safeguard the product against rolling away when parking it.

**MAINTENANCE & CLEANING**

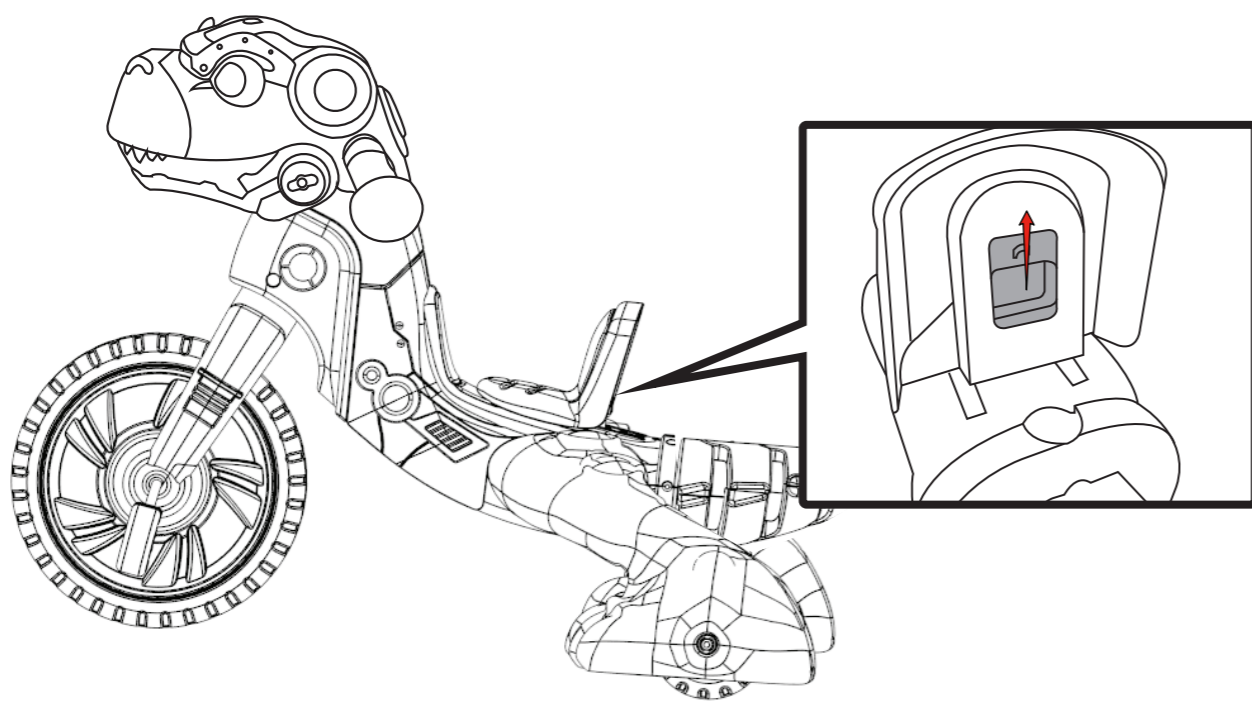
- Check all hardware during usage period and tighten as required. It is particularly important that this procedure be followed at the beginning of each season. If these checks are not carried out, the toy could overturn or otherwise become a hazard.
- Do not attempt to modify or repair this product. For help contact Little Tikes Consumer Service.
- Clean trike with a slightly damp cloth (cold water) and mild soap. Never use a corrosive or abrasive substance to clean the product.

**DISPOSAL**

- Disassemble and dispose of equipment in such a manner that no hazardous conditions, such as but not limited to, small parts and sharp edges, exist at the time equipment is discarded.

## 8 Adjusting the Seat

Adjust the seat to the desired position by lifting the clip on the back of the seat and sliding it forwards or backwards.

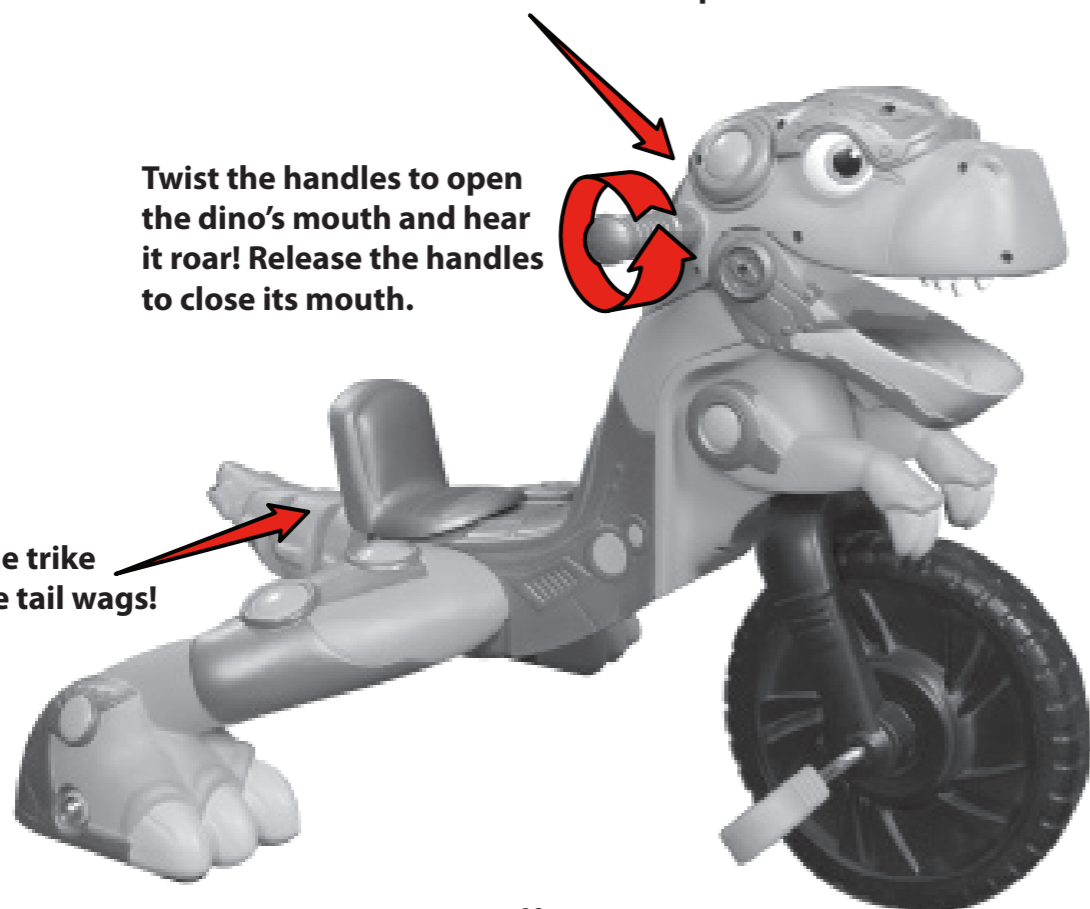


## Chompin' Dino's Features!

Press the button on the back of the dino's head to hear it beep!

Twist the handles to open the dino's mouth and hear it roar! Release the handles to close its mouth.

Ride the trike and the tail wags!



## IMPORTANT INFORMATION YOU SHOULD KNOW!

- Read through all the instructions first.
- Clear a flat surface to lay out all the materials so that everything is close at hand.
- Illustrations are for reference only. Styles may vary from actual contents.
- Please remove all packaging including tags, ties & tacking stitches before giving this product to a child.
- **Make sure you have all contents before assembling. If anything is missing or if you have questions, we're here to help. Give our consumer service team a call at 1-800-321-0183.**

### Let's be careful!

#### ⚠ WARNING!

- ADULT ASSEMBLY REQUIRED.
- Adult supervision required. Do not leave children unattended.
- Please keep this manual as it contains important information.
- Ride-on toys should not be used near swimming pools, on or near steps, hills, roadways, or inclines.
- Shoes must be worn at all times.
- Only one rider at a time.
- Maximum weight limit: 50 lbs. (23 Kg)
- This product is intended for use by children ages 3 to 5 years.
- Not to be used by children over 5 years due to size limitations.
- This product is intended for indoor and outdoor family use only.
- Ride-on toys should be used with caution since skill is required to avoid falls or collisions which may cause injury to the user or third parties.
- Keep long hair and loose apparel away from the moving wheels.
- Any contact with moisture or liquid may damage the electronics. To prolong the life and operation of the sound module, bring product indoors during inclement weather and conditions.

© The Little Tikes Company, an MGA Entertainment company. LITTLE TIKES® is a trademark of Little Tikes in the U.S. and other countries. All logos, names, characters, likenesses, images, slogans, and packaging appearance are the property of Little Tikes.

Printed in China - 0421-0-C3

### CONSUMER SERVICE

**Little Tikes Consumer Service**  
[www.littletikes.com](http://www.littletikes.com)  
 2180 Barlow Road  
 Hudson, Ohio 44236 U.S.A.  
 Email: [service@littletikescares.com](mailto:service@littletikescares.com)  
 1-800-321-0183 Monday-Friday

**MGA Entertainment UK Ltd.**  
[www.littletikes.co.uk](http://www.littletikes.co.uk)  
 50 Presley Way, Crownhill, Milton  
 Keynes, MK8 0ES, Bucks, UK  
 support@LittleTikesStore.co.uk  
 Tel: +0 800 521 558

**MGA Entertainment (Netherlands) B.V.**  
 Baronie 68-70  
 2404 XG Alphen a/d Rijn  
 The Netherlands  
 Tel: +31 (0) 172 758038

**Imported by MGA Entertainment Australia Pty Ltd**  
[www.littletikes.com.au](http://www.littletikes.com.au)  
 Suite 2.02, 32 Delhi Road  
 Macquarie Park NSW 2113  
 1300 059 676



### LIMITED WARRANTY

The Little Tikes Company makes fun, high quality toys. We warrant to the original purchaser that this product is free of defects in materials or workmanship for one year \* from the date of purchase (dated sales receipt is required for proof of purchase). At the sole election of The Little Tikes Company, the only remedies available under this warranty will be the replacement of the defective part or replacement of the product. This warranty is valid only if the product has been assembled and maintained per the instructions. This warranty does not cover abuse, accident, cosmetic issues such as fading or scratches from normal wear, or any other cause not arising from defects in material and workmanship. \*The warranty period is three (3) months for daycare or commercial purchasers.

**U.S.A and Canada:** For warranty service or replacement part information, please visit our website at [www.littletikes.com](http://www.littletikes.com), call 1-800-321-0183 or write to: Consumer Service, The Little Tikes Company, 2180 Barlow Road, Hudson OH 44236, U.S.A. Some replacement parts may be available for purchase after warranty expires—contact us for details.

**Outside U.S.A and Canada:** Contact place of purchase for warranty service. This warranty gives you specific legal rights, and you may also have other rights, which vary from country/state to country/state. Some countries/states do not allow the exclusion or limitation of incidental or consequential damages, so the above limitation or exclusion may not apply to you.

## Battery Safety Information. This is serious!

- Keep these instructions for future reference.
  - Requires 3 "AAA" (LR03) alkaline batteries (not included). (Rechargeable batteries may be substituted.)
  - The voltage of a fully-charged, rechargeable battery is often lower than that of a fresh alkaline battery. Therefore, it is recommended that alkaline batteries be used instead of rechargeable batteries for best performance and longer play time.
  - Install batteries with the correct polarity (+ and -).
  - To avoid battery leakage:
    1. Follow the toy and battery manufacturer's installation instructions.
    2. Do not mix old and new batteries.
    3. Do not mix standard (carbon-zinc), alkaline or rechargeable batteries. Do not mix different brands of batteries. Only batteries of the same or equivalent type as recommended are to be used.
    4. When toy is not used for an extended period of time, remove batteries to prevent possible leakage and damage to the unit.
    5. Remove dead or exhausted batteries from product.
    6. Dispose of dead batteries properly; do not bury. Do not dispose of batteries in fire as they may leak or explode.
  - Make sure cover is properly installed on unit at all times.
  - Do not attempt to recharge non-rechargeable batteries.
  - Rechargeable batteries are to be removed from the toy before recharging.
  - Charging of rechargeable batteries should be done by an adult.
  - The supply terminals are not to be short circuited.
- NOTE:** If the unit stops working or doesn't work as it should, remove the batteries for a few minutes and then re-insert them. If there is still a problem, install new batteries

## FCC COMPLIANCE

NOTE: This equipment has been tested and found to comply with the limits for a Class B digital device, pursuant to Part 15 of the FCC Rules. These limits are designed to provide reasonable protection against harmful interference in a residential installation. This equipment generates, uses and can radiate radio frequency energy and, if not installed and used in accordance with the instructions, may cause harmful interference to radio communications. However, there is no guarantee that interference will not occur in a particular installation. If this equipment does cause harmful interference to radio or television reception, which can be determined by turning the equipment off and on, the user is encouraged to try to correct the interference by one or more of the following measures:

- Reorient or relocate the receiving antenna.
  - Increase the separation between the equipment and receiver.
  - Connect the equipment into an outlet on a circuit different from that to which the receiver is connected.
  - Consult the dealer or an experienced radio/TV technician for help.
- This device complies with Part 15 of the FCC Rules. Operation is subject to the following two conditions: (1) This device may not cause harmful interference, and (2) this device must accept any interference received, including interference that may cause undesired operation.
- Caution: Modifications not authorized by the manufacturer may void users authority to operate this device.
- CAN ICES-3 (B)/NMB-3(B).

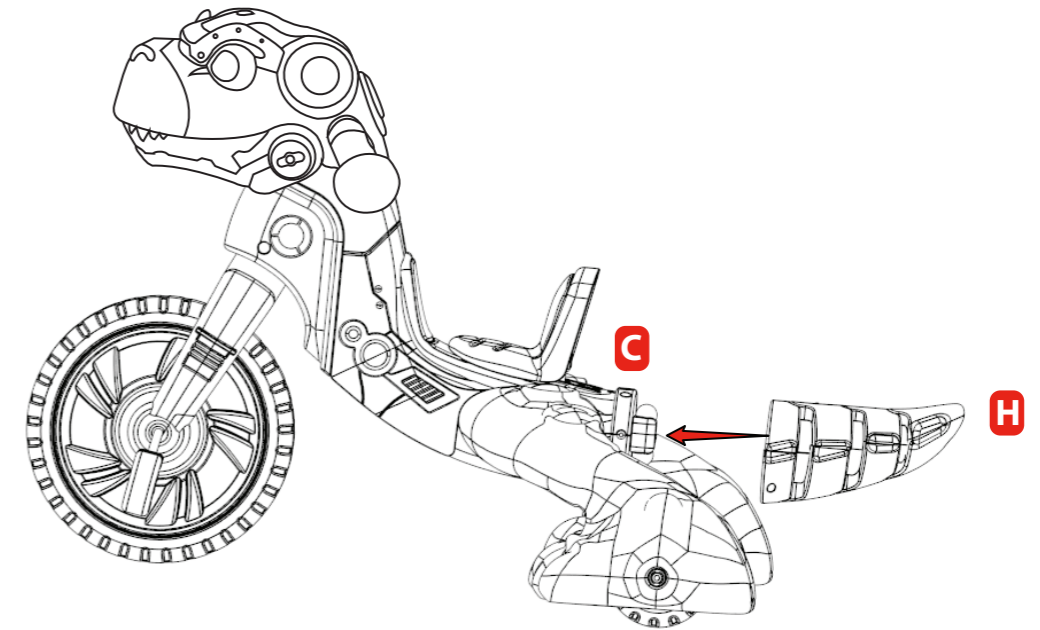


'Let's care for the environment!'

The wheelie bin symbol indicates that the product must not be disposed of with other household waste. Please use designated collection points or recycling facilities when disposing of the item.  
Do not treat old batteries as household waste. Take them to a designated recycling facility.

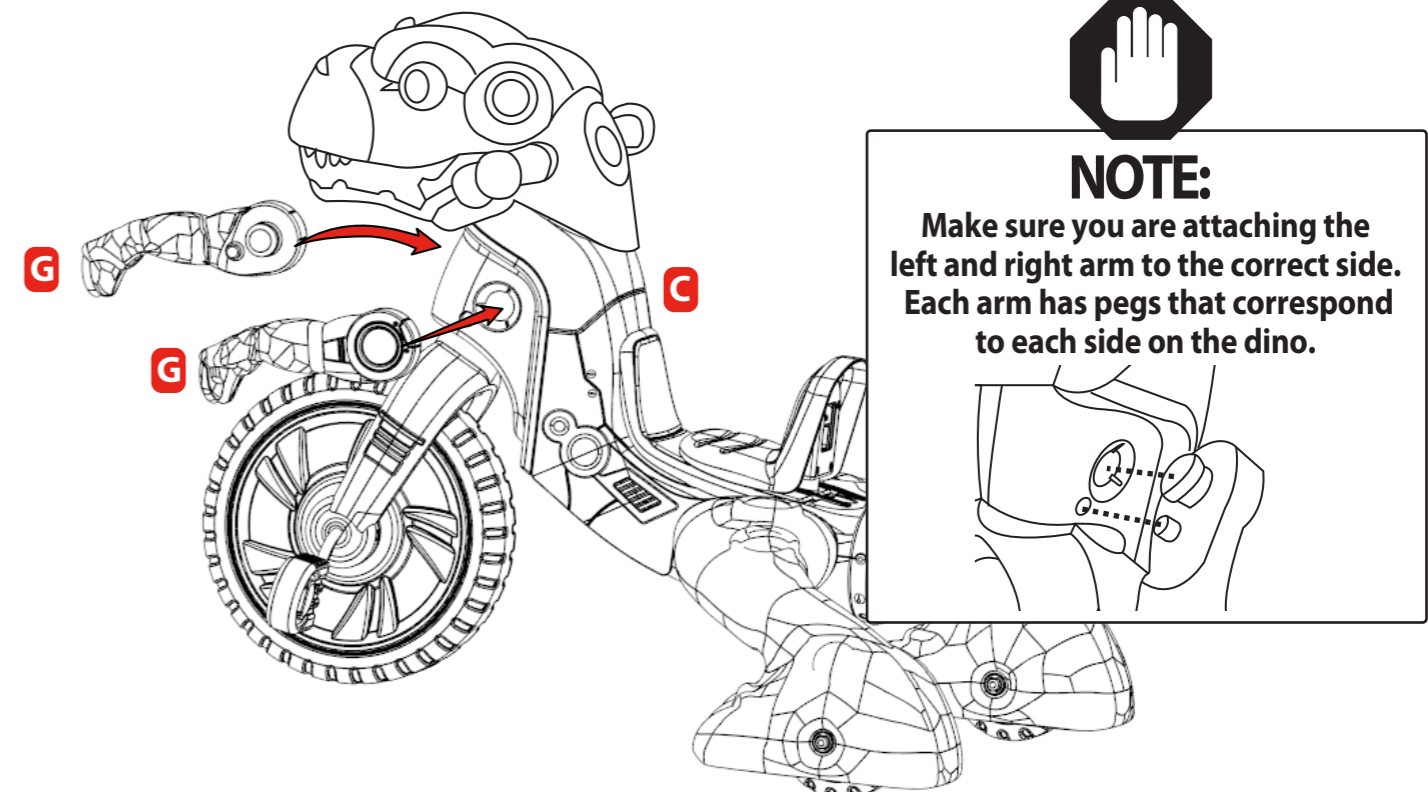
## 6 Time for the Tail

Insert the Tail (H) to the back of the Base (C).



## 7 Finish with the Arms

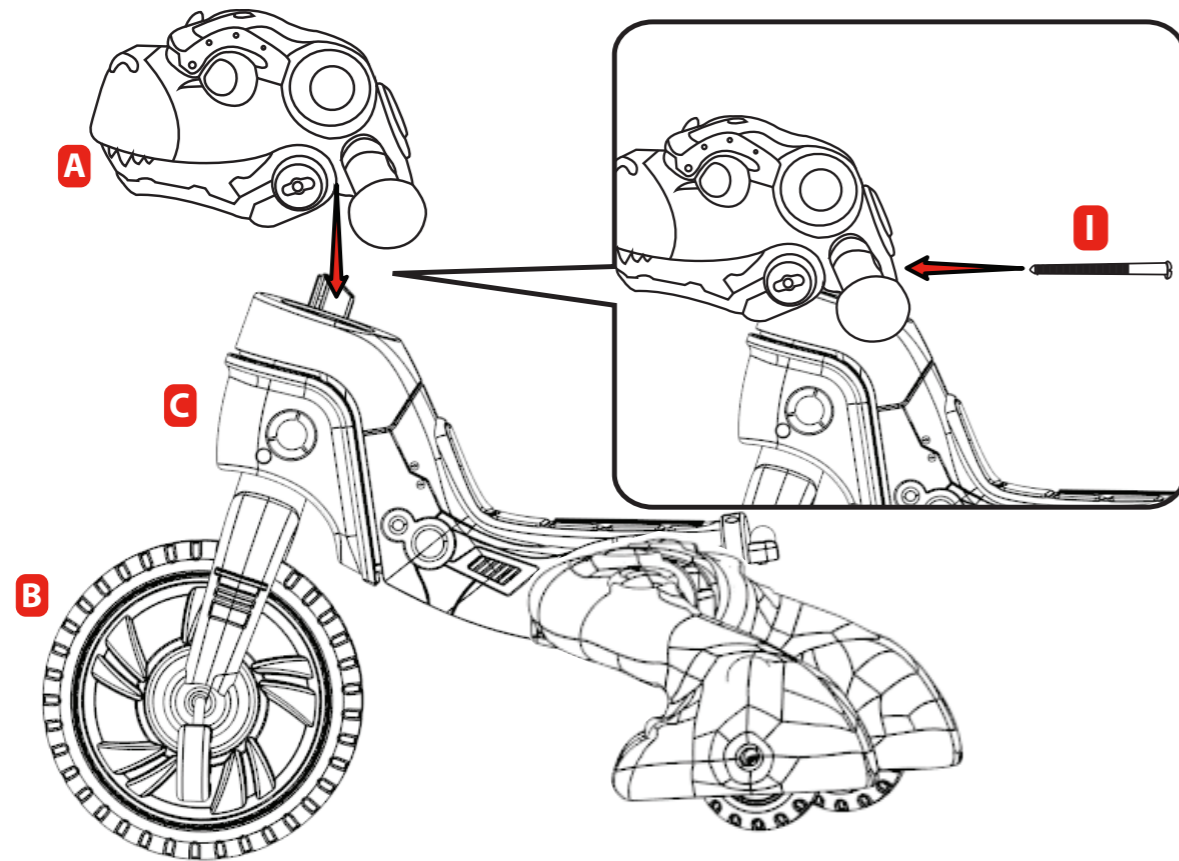
Snap on the Arms (G) to each side of the front of the Base (C).





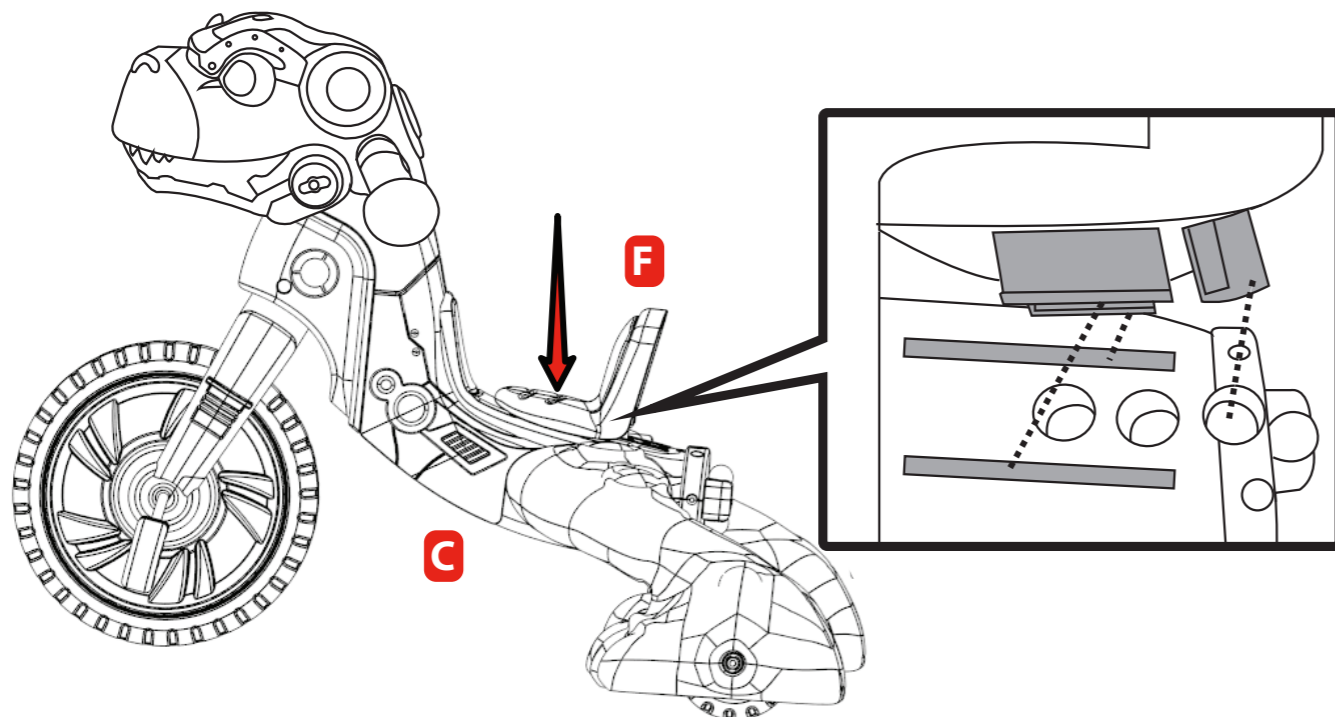
## 4 Handle It

Attach the Handle (A) to the Base (C) by sliding it over the post of the Front Wheel (B). Secure the Handle to the Base using one Screw (I).



## 5 Add the Seat

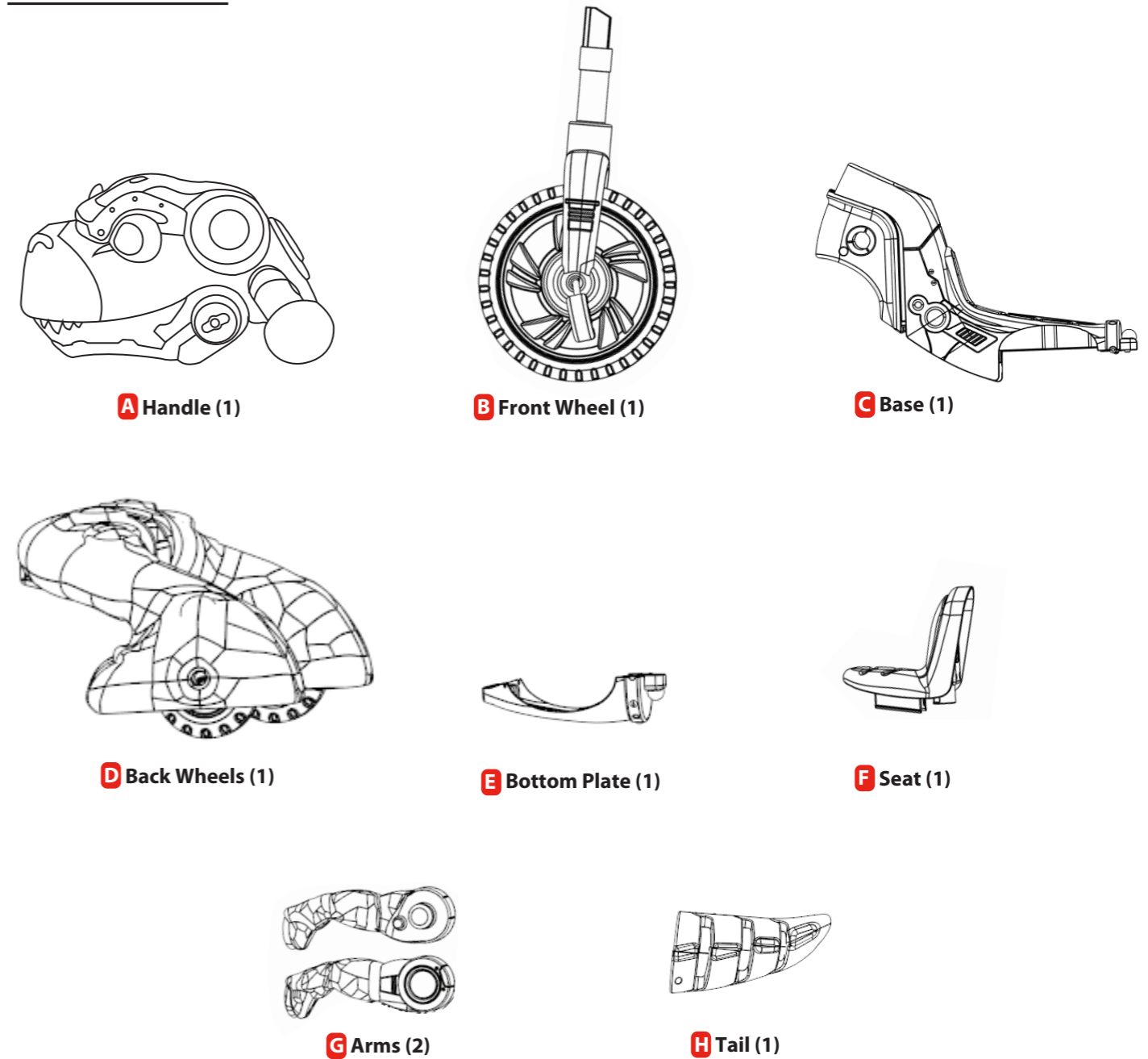
Snap the Seat (F) to the back of the Base (C) by inserting the tabs under the Seat into the tracks and slot of the Base.



## A Few Things Before You Start!

BEFORE you begin assembly, make sure you have all the parts listed below. Questions? We're here to help. Little Tikes® Consumer Service: 1-800-321-0183

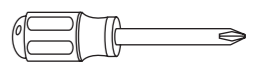
### Dino Parts



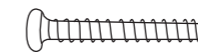
### Hardware

! Some packages of hardware may have extras pieces.

Tools required  
(not included)



I Screw (1)  
(5.0 x 75mm)

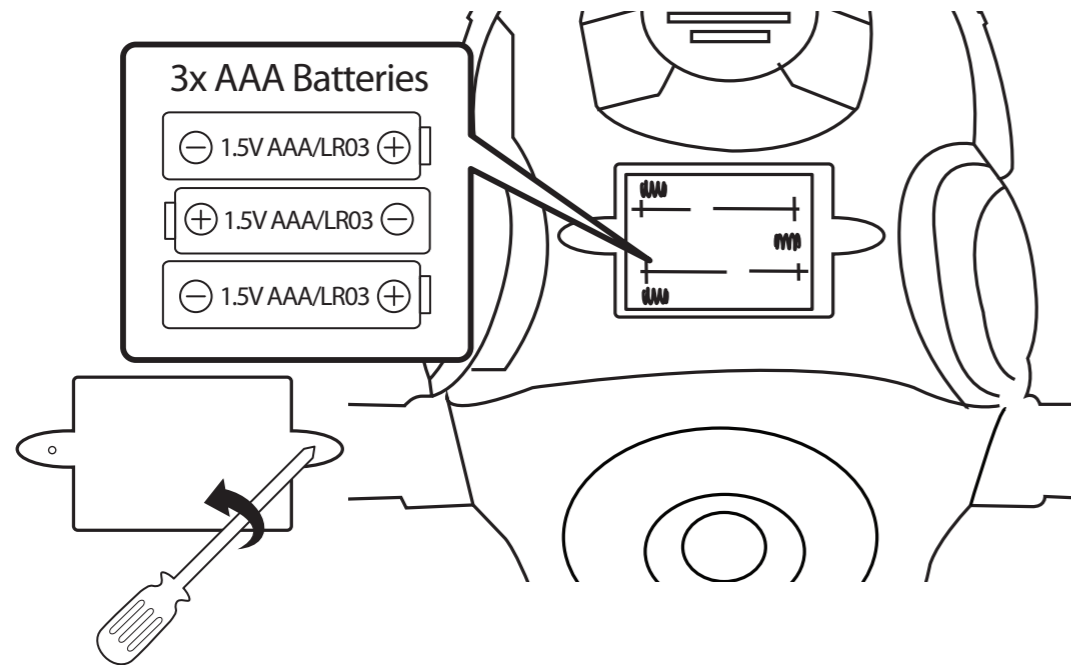


J Screw (6)  
(3.5 x 15mm)

## Before you begin, install the batteries!

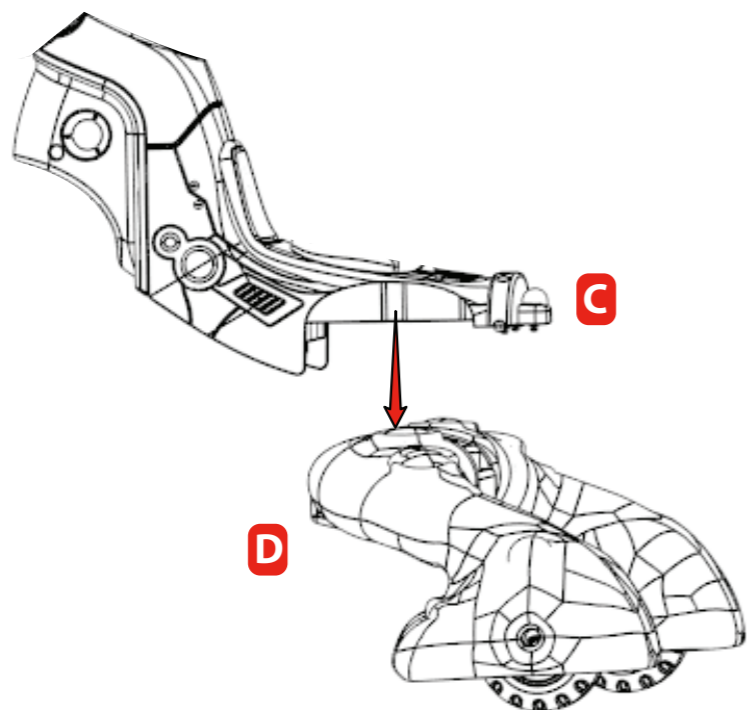
**Before beginning, an adult must install fresh alkaline batteries. Here's how:**

1. Using a Phillips screwdriver (not included), remove the screws and battery compartment cover located on top of the dino's head.
2. Install three (3) fresh 1.5V AAA (LR03) alkaline batteries (not included) making sure the (+) and (-) ends face the proper direction as indicated inside the battery compartment.
3. Replace the compartment cover and tighten the screws.



## 1 Assemble the Back of Your Dino

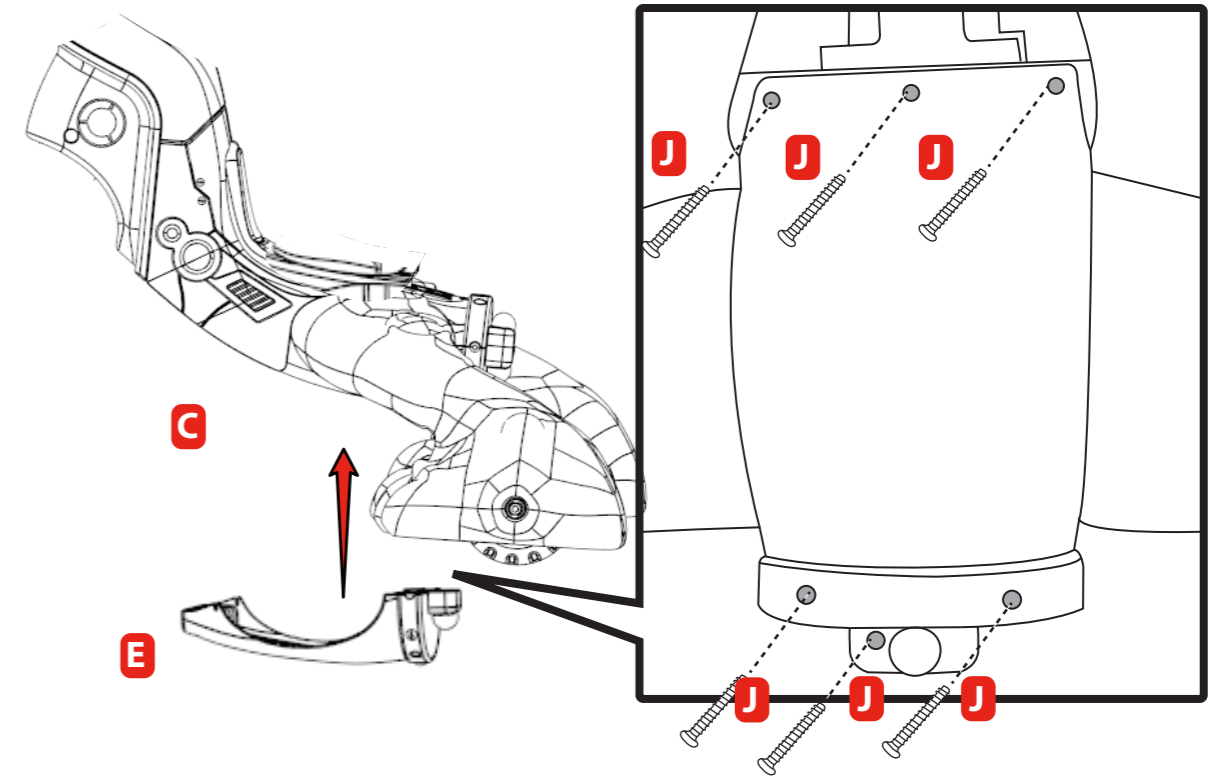
Place the back of the Base (C) over the Back Wheels (D).



6

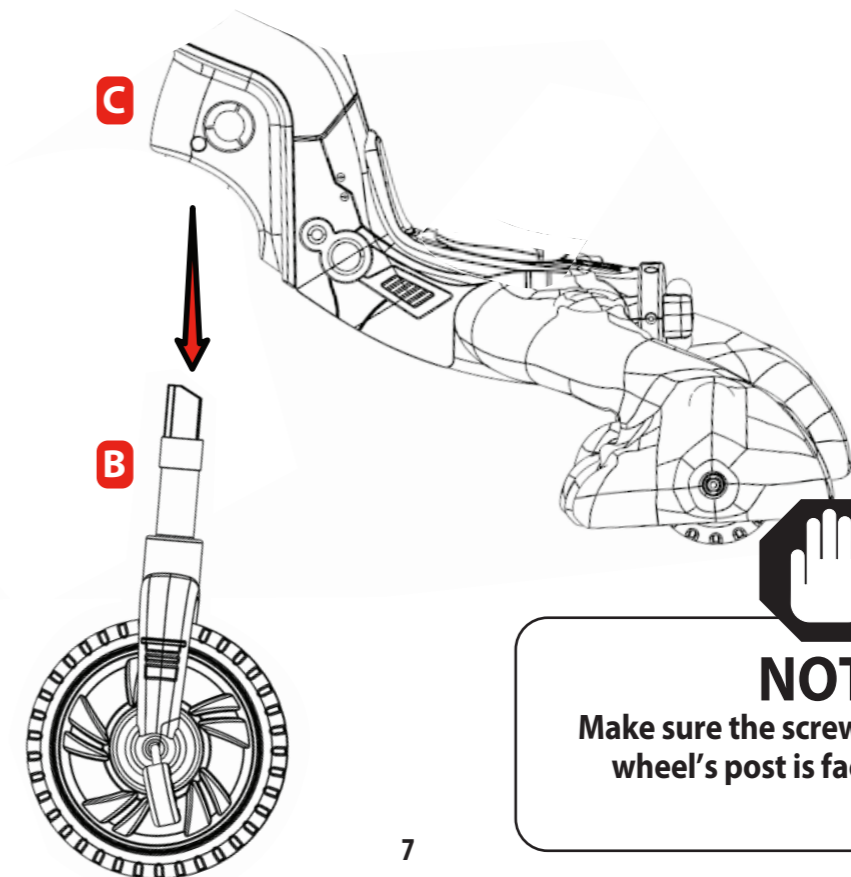
## 2 Secure with Bottom Plate

Attach the Bottom Plate (E) to the bottom of the Base (C) using six screws (J).  
**ASSEMBLY TIP:** Turn the dino upside down to attach the plate.



## 3 Assemble the Front of Your Dino

Slide the Base (C) over the post on the Front Wheel (B).



**NOTE:**  
Make sure the screw opening on the wheel's post is facing the back.

7