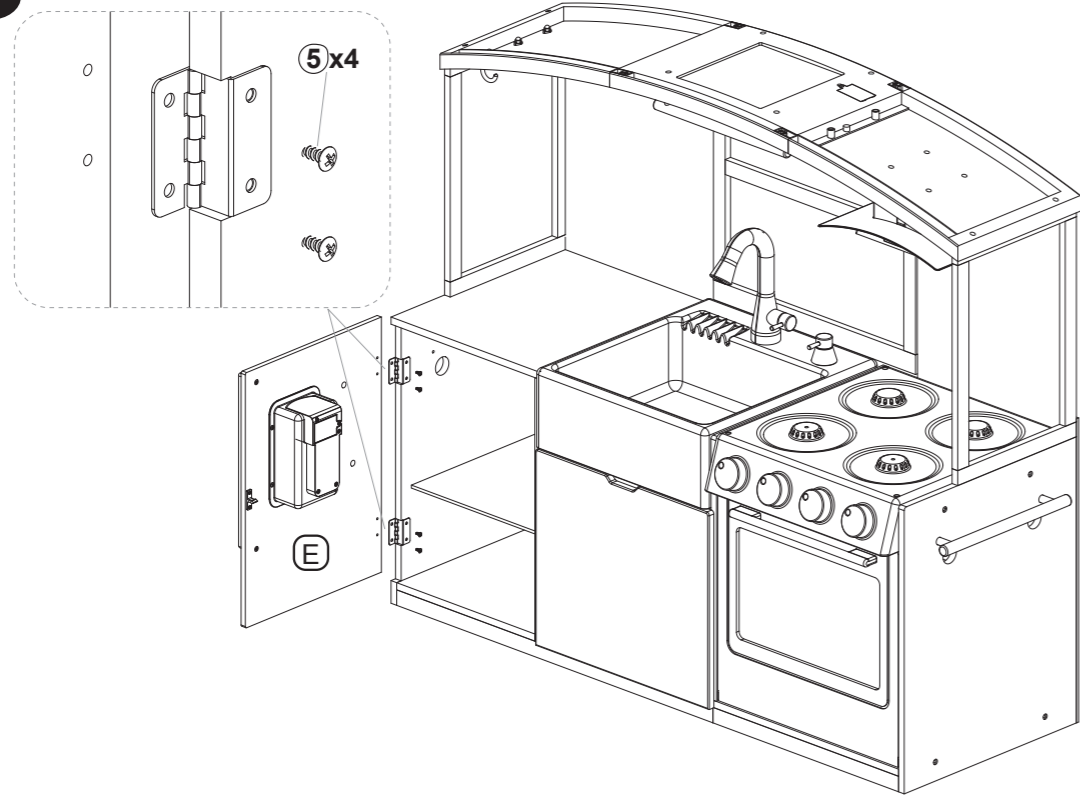
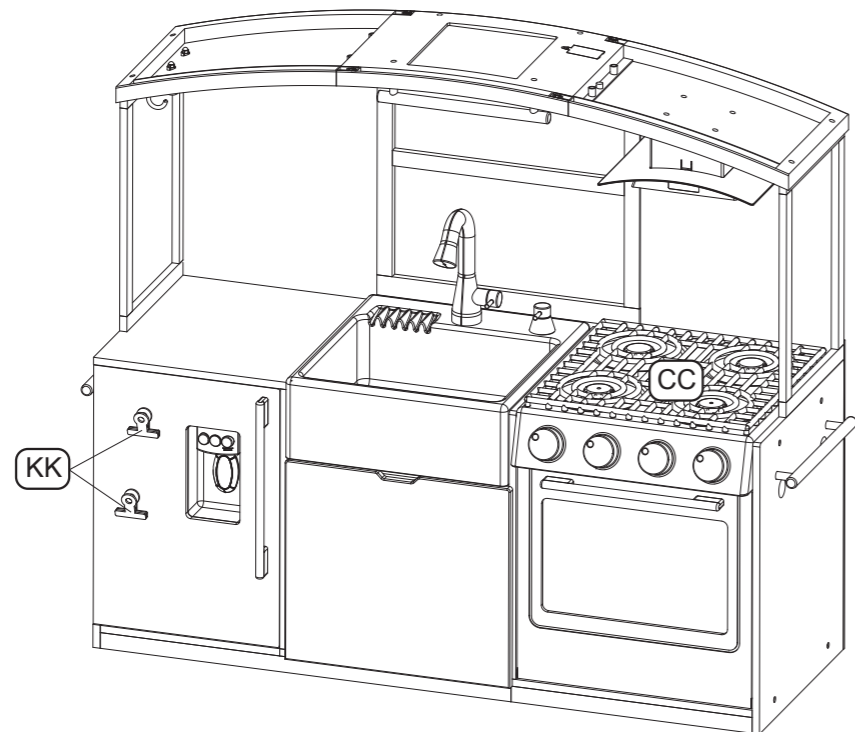


33



34



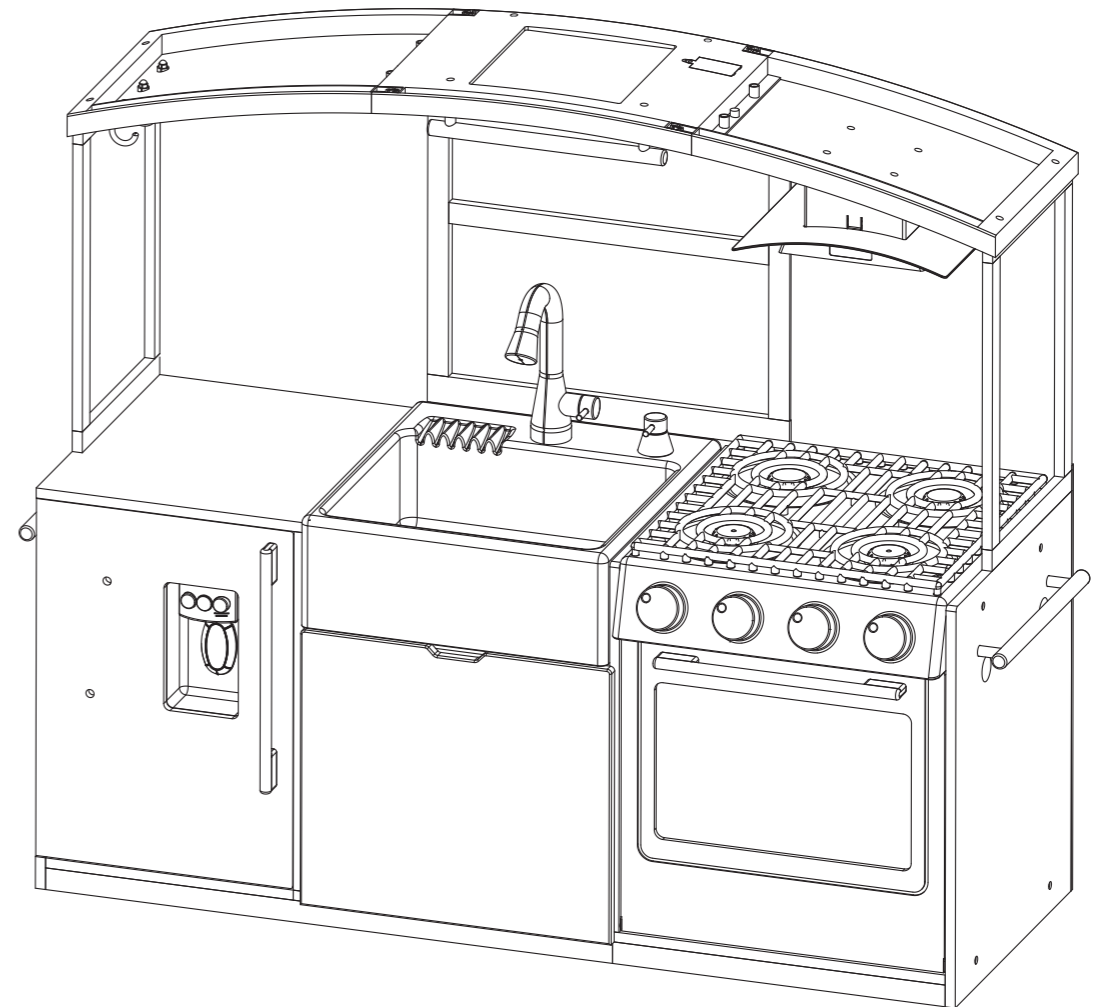
# Wood Chef's Kitchen

SKU: 658532

AGES 3-8  
ADULT ASSEMBLY REQUIRED  
ADULT BATTERY INSTALLATION REQUIRED



## ASSEMBLY INSTRUCTIONS



**Thank you for choosing the Little Tikes® Wood Chef's Kitchen.**  
We strive to provide a durable, easy-to-assemble toy that is made to last,  
giving your child years of imaginative, engaging fun!

# IMPORTANT INFORMATION YOU SHOULD KNOW!

- Read through all the instructions first.
- Clear a flat surface to lay out all the materials so that everything is close at hand.
- Illustrations are for reference only. Styles may vary from actual contents.
- Please remove all packaging including tags, ties & tacking stitches before giving this product to a child.
- **Make sure you have all contents before assembling. If anything is missing or if you have questions, we're here to help. Give our consumer service team a call at 1-800-321-0183.**

## Let's be careful!

### ⚠ WARNING!

- ADULT ASSEMBLY REQUIRED.
- Prior to assembly, this package contains small parts: hardware which is a choking hazard and may contain sharp edges and sharp points. Keep away from children until assembled.
- Please keep this manual as it contains important information.
- This product is intended for indoor use only.
- This product is intended for use by children ages 3-8.
- Place on flat, level surfaces free of objects that could cause the toy to tip over. Also, place out of the way of household traffic.
- Never use near staircase, steps, pools, hot surfaces, or areas that may be hazardous to a child.
- Do not use if damaged or broken.
- Follow all provided instructions to avoid potential hazards that may result from incorrect assembly.

© The Little Tikes Company, an MGA Entertainment company. LITTLE TIKES® is a trademark of Little Tikes in the U.S. and other countries. All logos, names, characters, likenesses, images, slogans, and packaging appearance are the property of Little Tikes.

Printed in China • 0521-0-E/INT

### CONSUMER SERVICE

**Little Tikes Consumer Service**  
[www.littletikes.com](http://www.littletikes.com)  
 2180 Barlow Road  
 Hudson, Ohio 44236 U.S.A.  
 Email: [service@littletikescares.com](mailto:service@littletikescares.com)  
 1-800-321-0183 Monday-Friday

**MGA Entertainment UK Ltd.**  
[www.littletikes.co.uk](http://www.littletikes.co.uk)  
 50 Presley Way, Crownhill, Milton  
 Keynes, MK8 0ES, Bucks, UK  
[support@LittleTikesStore.co.uk](mailto:support@LittleTikesStore.co.uk)  
 Tel: +0 800 521 558

**MGA Entertainment (Netherlands) B.V.**  
 Baronie 68-70  
 2404 XG Alphen a/d Rijn  
 The Netherlands  
 Tel: +31 (0) 172 758038

**Imported by MGA Entertainment Australia Pty Ltd**  
[www.littletikes.com.au](http://www.littletikes.com.au)  
 Suite 2.02, 32 Delhi Road  
 Macquarie Park NSW 2113  
 1300 059 676

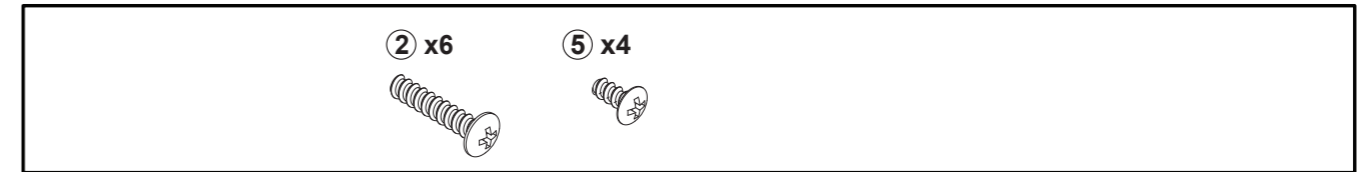


### LIMITED WARRANTY

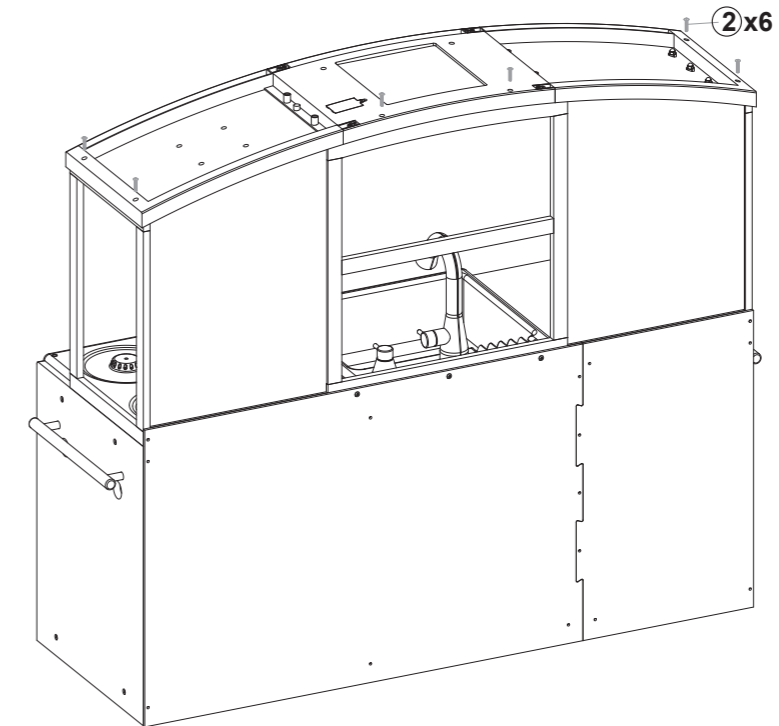
The Little Tikes Company makes fun, high quality toys. We warrant to the original purchaser that this product is free of defects in materials or workmanship for one year \* from the date of purchase (dated sales receipt is required for proof of purchase). At the sole election of The Little Tikes Company, the only remedies available under this warranty will be the replacement of the defective part or replacement of the product. This warranty is valid only if the product has been assembled and maintained per the instructions. This warranty does not cover abuse, accident, cosmetic issues such as fading or scratches from normal wear, or any other cause not arising from defects in material and workmanship. \*The warranty period is three (3) months for daycare or commercial purchasers.

**U.S.A and Canada:** For warranty service or replacement part information, please visit our website at [www.littletikes.com](http://www.littletikes.com), call 1-800-321-0183 or write to: Consumer Service, The Little Tikes Company, 2180 Barlow Road, Hudson OH 44236, U.S.A. Some replacement parts may be available for purchase after warranty expires—contact us for details.

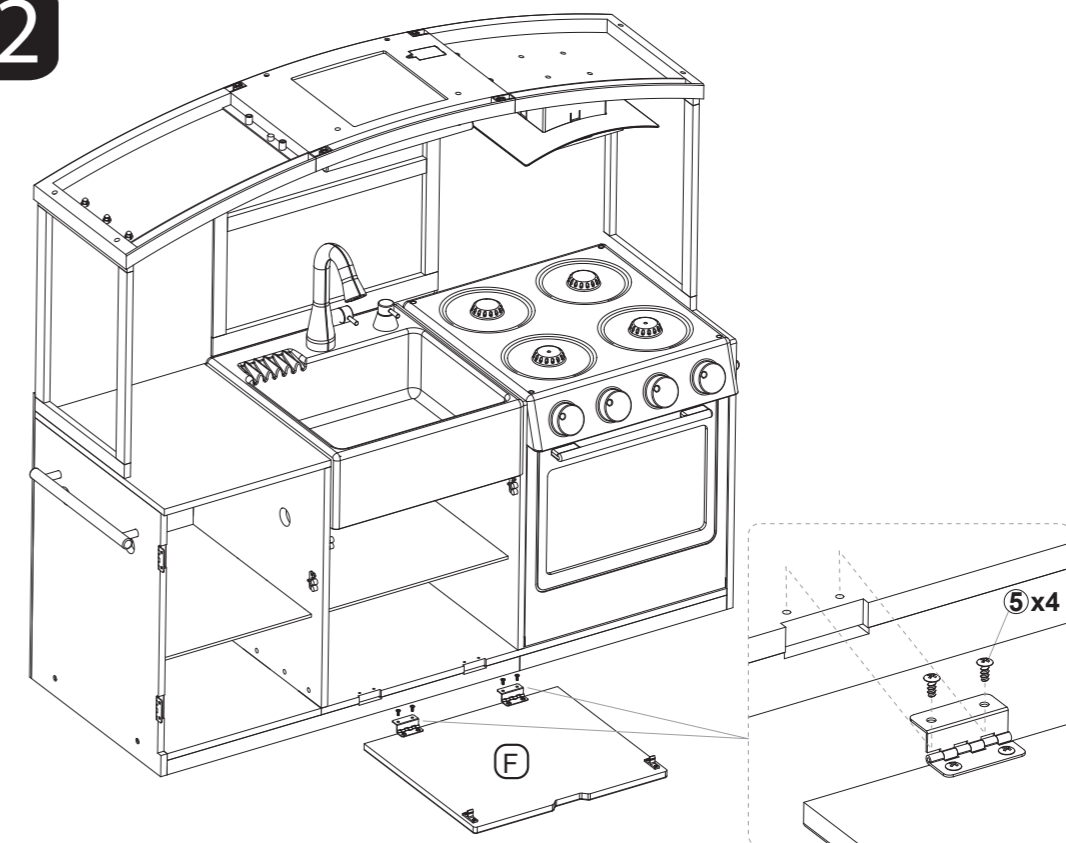
**Outside U.S.A and Canada:** Contact place of purchase for warranty service. This warranty gives you specific legal rights, and you may also have other rights, which vary from country/state to country/state. Some countries/states do not allow the exclusion or limitation of incidental or consequential damages, so the above limitation or exclusion may not apply to you.

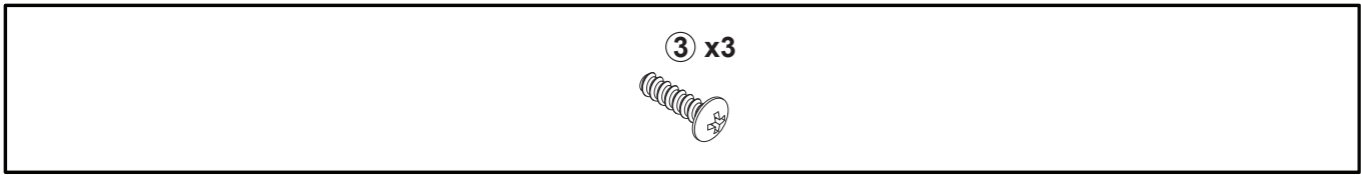


31

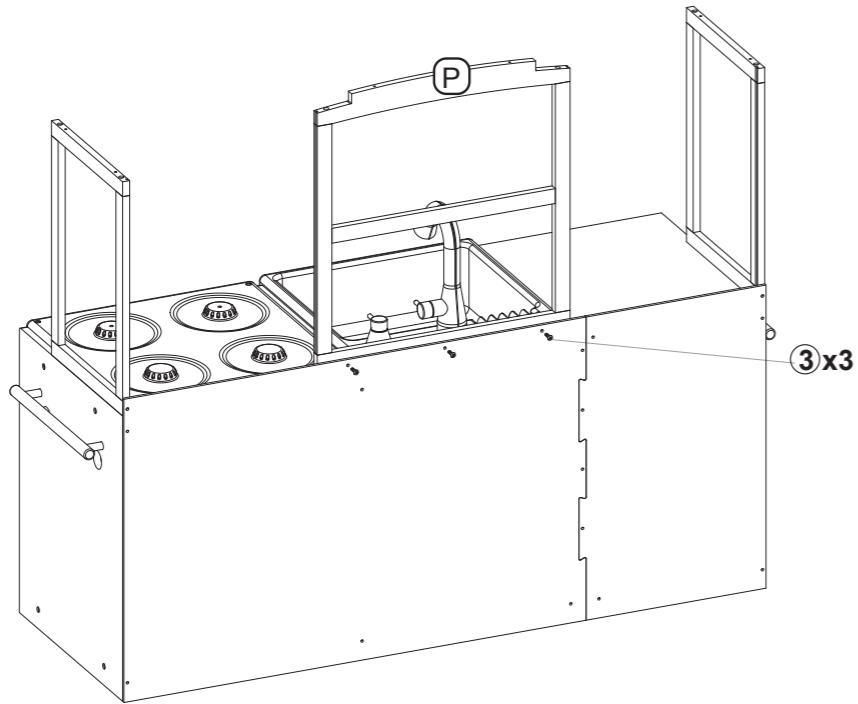


32

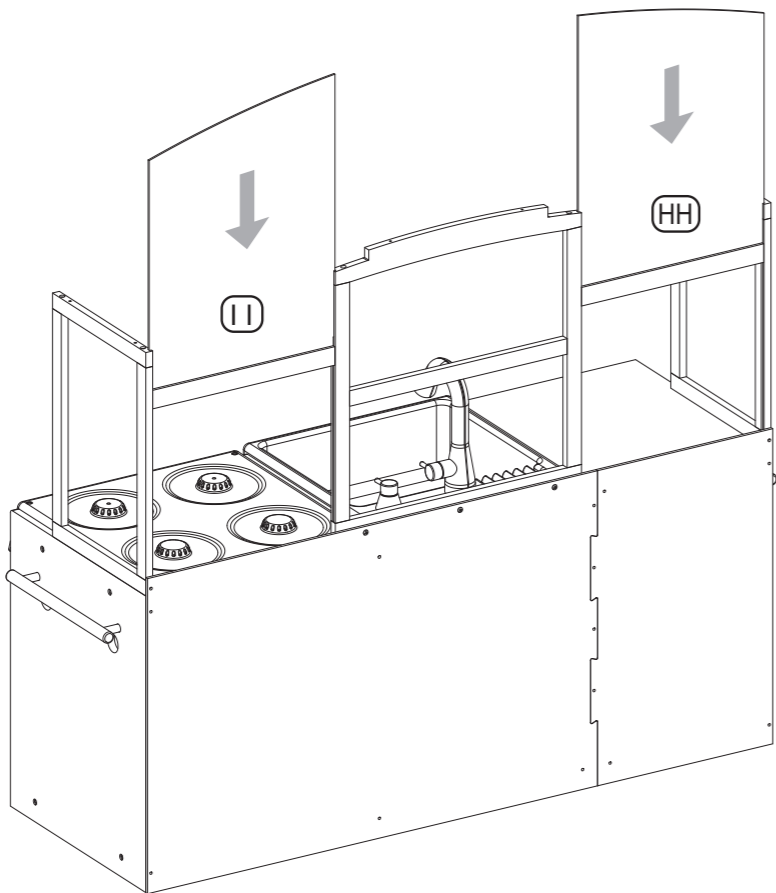




29



30



## Battery Safety Information. This is serious!

- Keep these instructions for future reference.
  - Requires 6 “AAA” (LR03) and 3 “AA” (LR6) alkaline batteries (not included). (Rechargeable batteries may be substituted.)
  - The voltage of a fully-charged, rechargeable battery is often lower than that of a fresh alkaline battery. Therefore, it is recommended that alkaline batteries be used instead of rechargeable batteries for best performance and longer play time.
  - Install batteries with the correct polarity (+ and -).
  - To avoid battery leakage:
    1. Follow the toy and battery manufacturer’s installation instructions.
    2. Do not mix old and new batteries.
    3. Do not mix standard (carbon-zinc), alkaline or rechargeable batteries. Do not mix different brands of batteries. Only batteries of the same or equivalent type as recommended are to be used.
    4. When toy is not used for an extended period of time, remove batteries to prevent possible leakage and damage to the unit.
    5. Remove dead or exhausted batteries from product.
    6. Dispose of dead batteries properly; do not bury. Do not dispose of batteries in fire as they may leak or explode.
  - Make sure cover is properly installed on unit at all times.
  - Do not attempt to recharge non-rechargeable batteries.
  - Rechargeable batteries are to be removed from the toy before recharging.
  - Charging of rechargeable batteries should be done by an adult.
  - The supply terminals are not to be short circuited.
- NOTE:** If the unit stops working or doesn’t work as it should, remove the batteries for a few minutes and then re-insert them. If there is still a problem, install new batteries.

## FCC COMPLIANCE

NOTE: This equipment has been tested and found to comply with the limits for a Class B digital device, pursuant to Part 15 of the FCC Rules. These limits are designed to provide reasonable protection against harmful interference in a residential installation. This equipment generates, uses and can radiate radio frequency energy and, if not installed and used in accordance with the instructions, may cause harmful interference to radio communications. However, there is no guarantee that interference will not occur in a particular installation. If this equipment does cause harmful interference to radio or television reception, which can be determined by turning the equipment off and on, the user is encouraged to try to correct the interference by one or more of the following measures:

- Reorient or relocate the receiving antenna.
- Increase the separation between the equipment and receiver.
- Connect the equipment into an outlet on a circuit different from that to which the receiver is connected.
- Consult the dealer or an experienced radio/TV technician for help.

This device complies with Part 15 of the FCC Rules. Operation is subject to the following two conditions: (1) This device may not cause harmful interference, and (2) this device must accept any interference received, including interference that may cause undesired operation.

Caution: Modifications not authorized by the manufacturer may void users authority to operate this device.

CAN ICES-3 (B)/NMB-3(B).

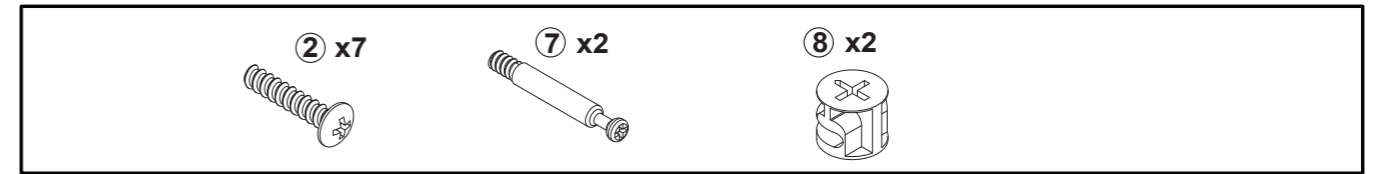


‘Let’s care for the environment!’

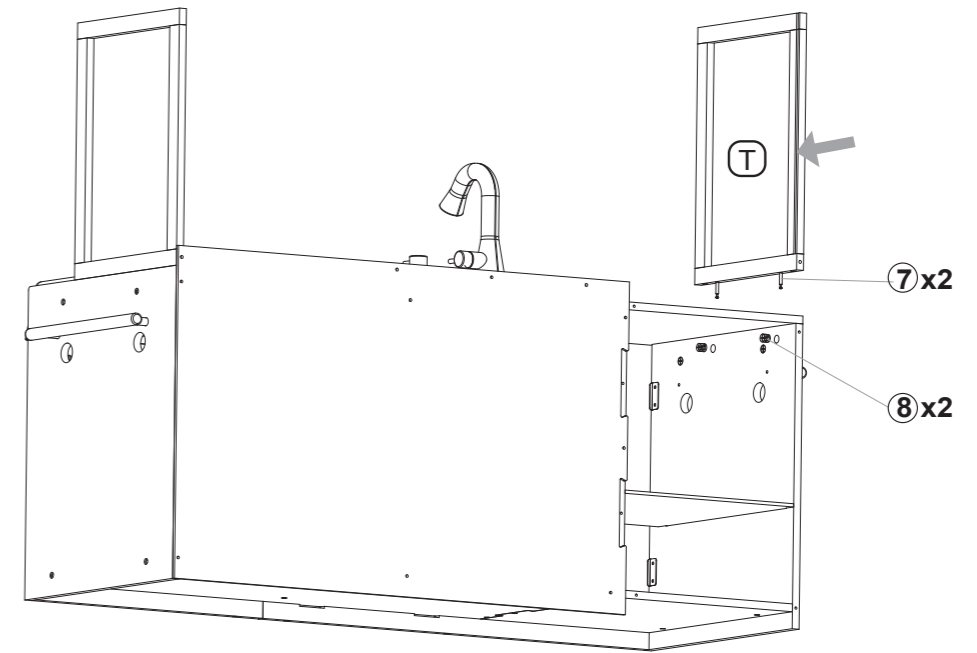
The wheelie bin symbol indicates that the product must not be disposed of with other household waste. Please use designated collection points or recycling facilities when disposing of the item. Do not treat old batteries as household waste. Take them to a designated recycling facility.

# CONTENTS

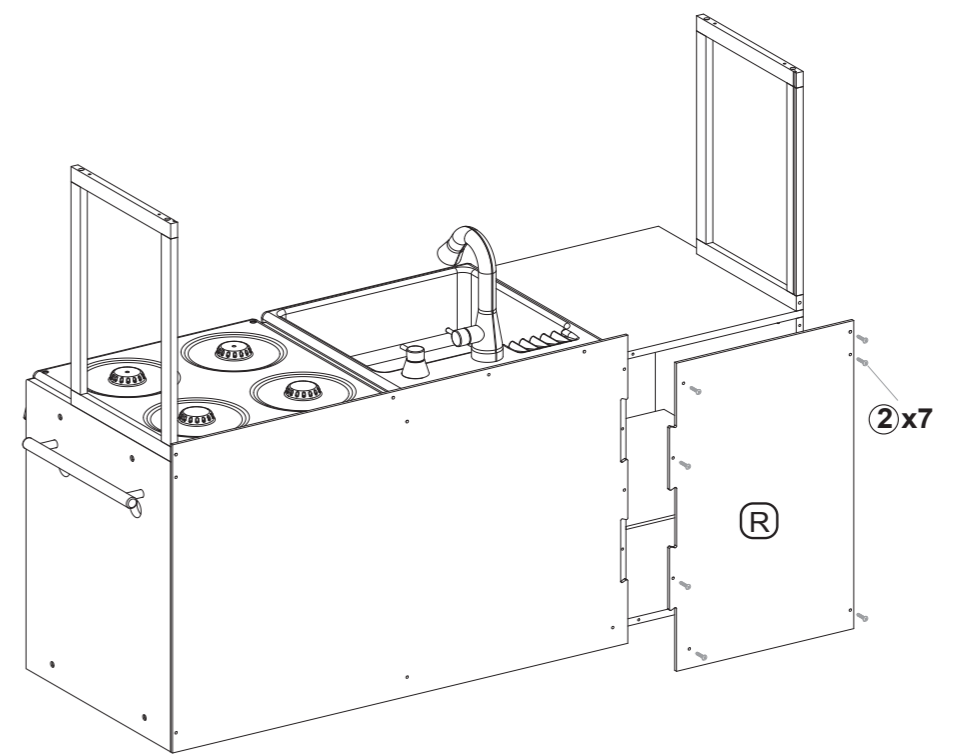
A	B	C	D		
E	F	G	H		
I	J	K	L		
M	N	O	P		
Q	R	S	T		
U1 x1	U2 x2	V	W	X	Y x3



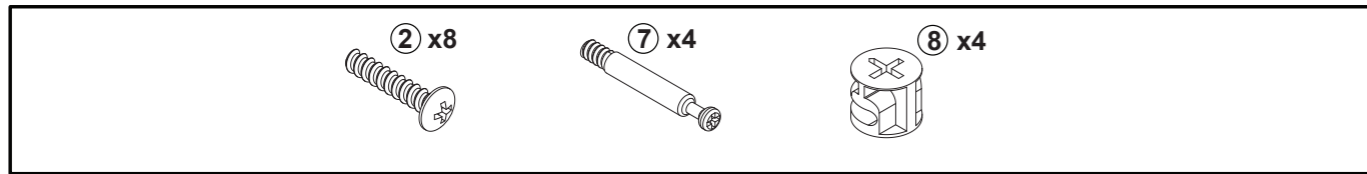
27



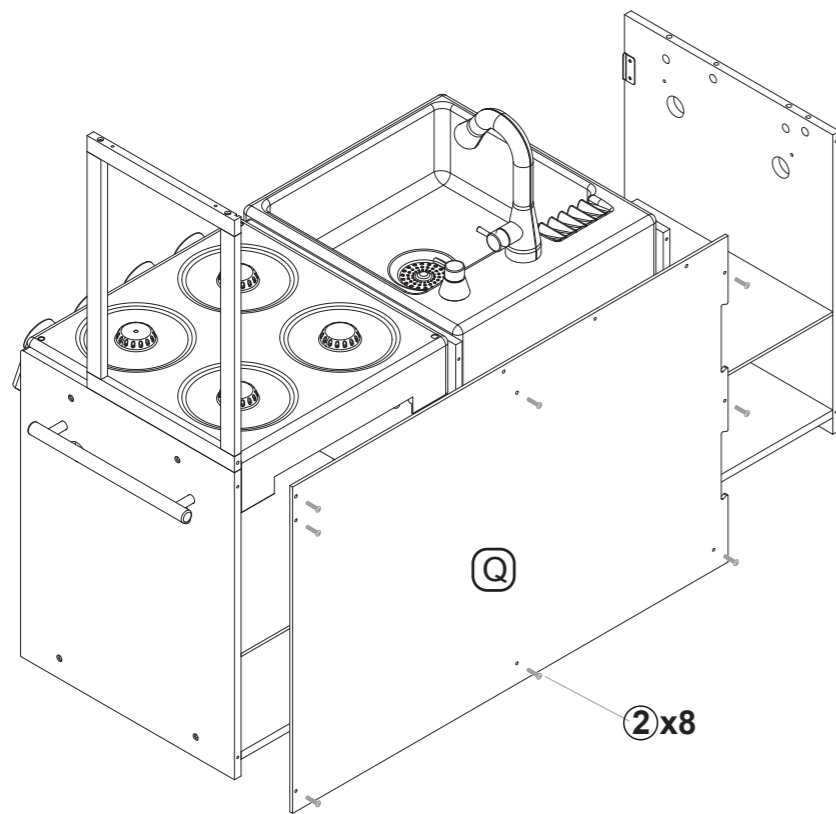
28



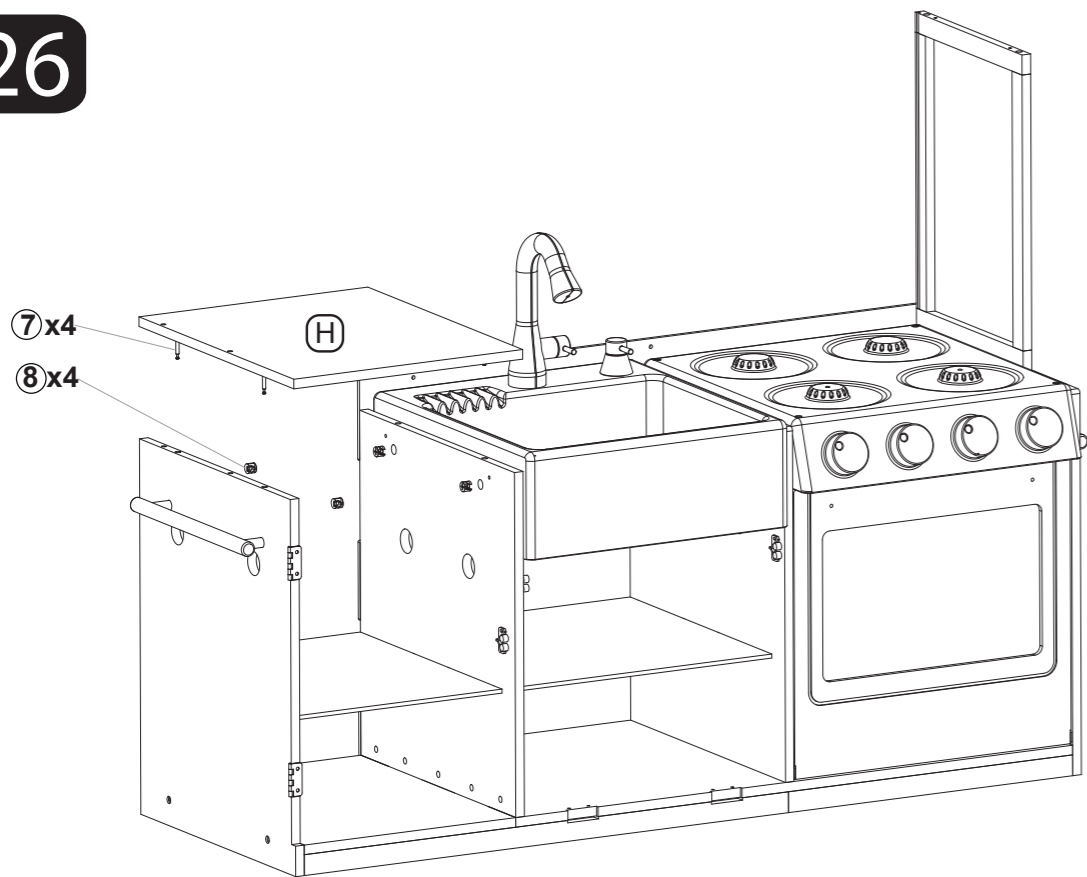




25



26



CONTENTS CONTINUED

Z x2 	AA 	BB 	CC 
DD 	EE 	FF 	GG 
HH 	II 	JJ 	KK x2 

①x19  4x30mm	②x27  4x20mm	③x7  4x15mm	④x14  4x12mm
⑤x24  4x8mm	⑥x20  3x8mm	⑦x8 	⑧x8 
⑨x1 	⑩x1 	⑪x5 	⑫x5 
⑬x4 	⑭x1 	⑮x2  4x30mm	

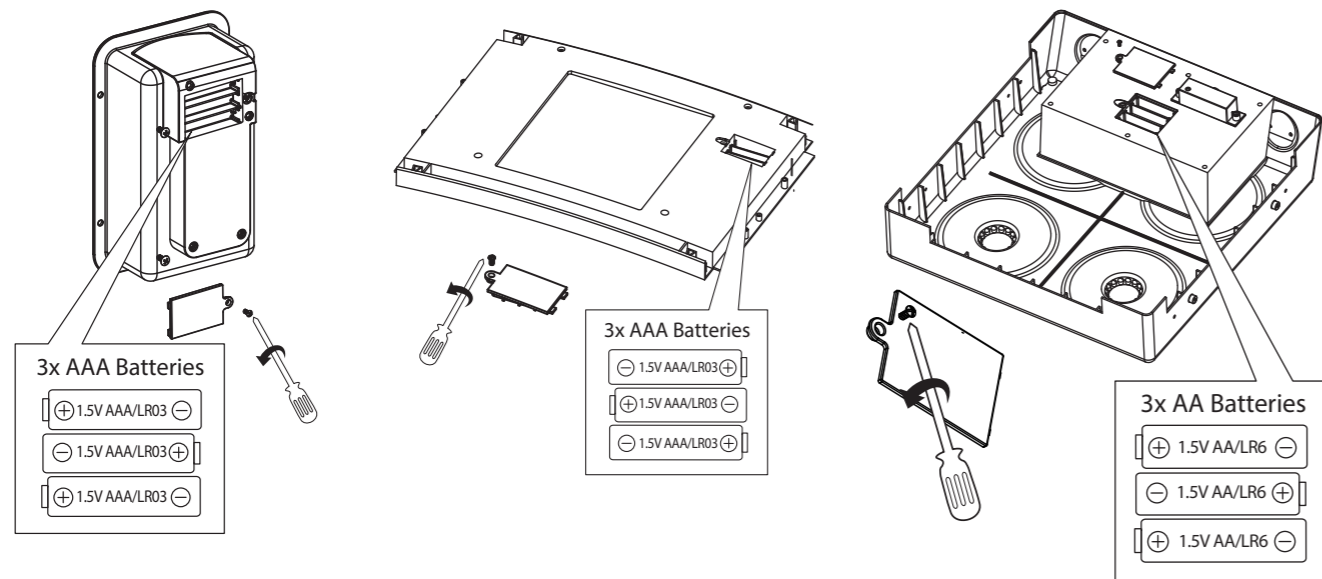
ACCESSORIES



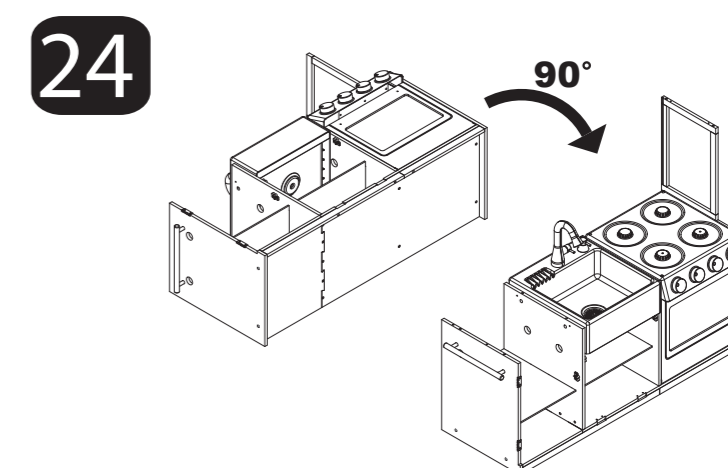
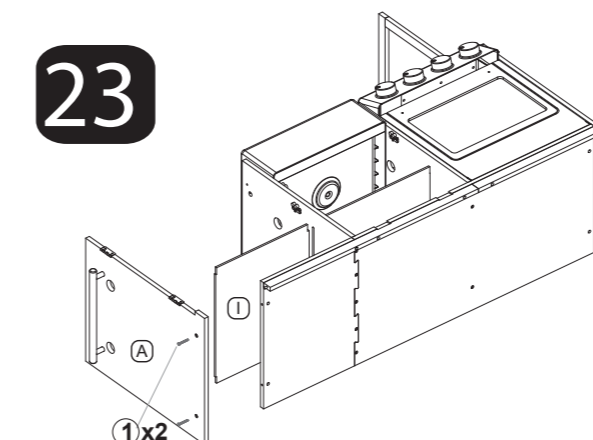
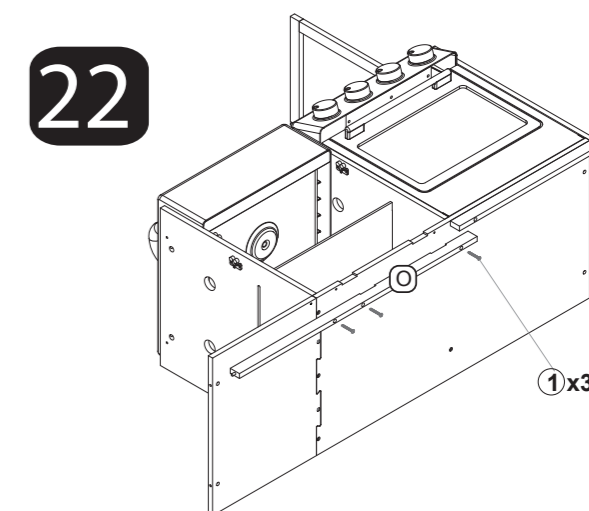
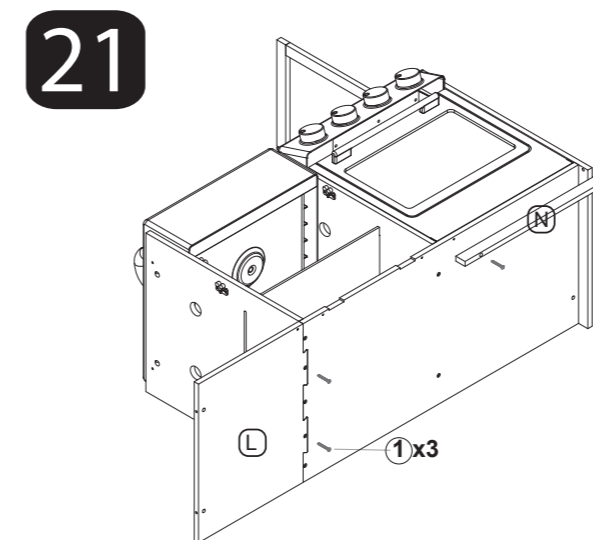
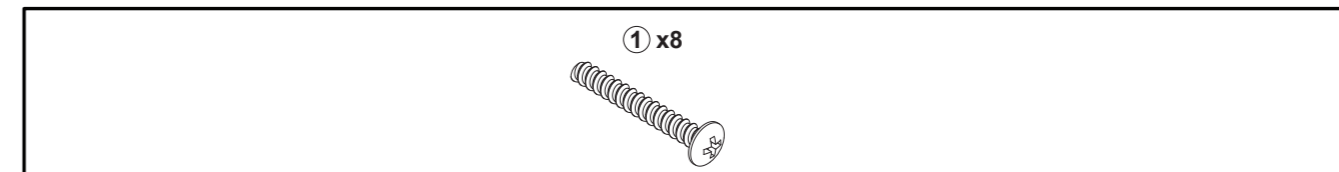
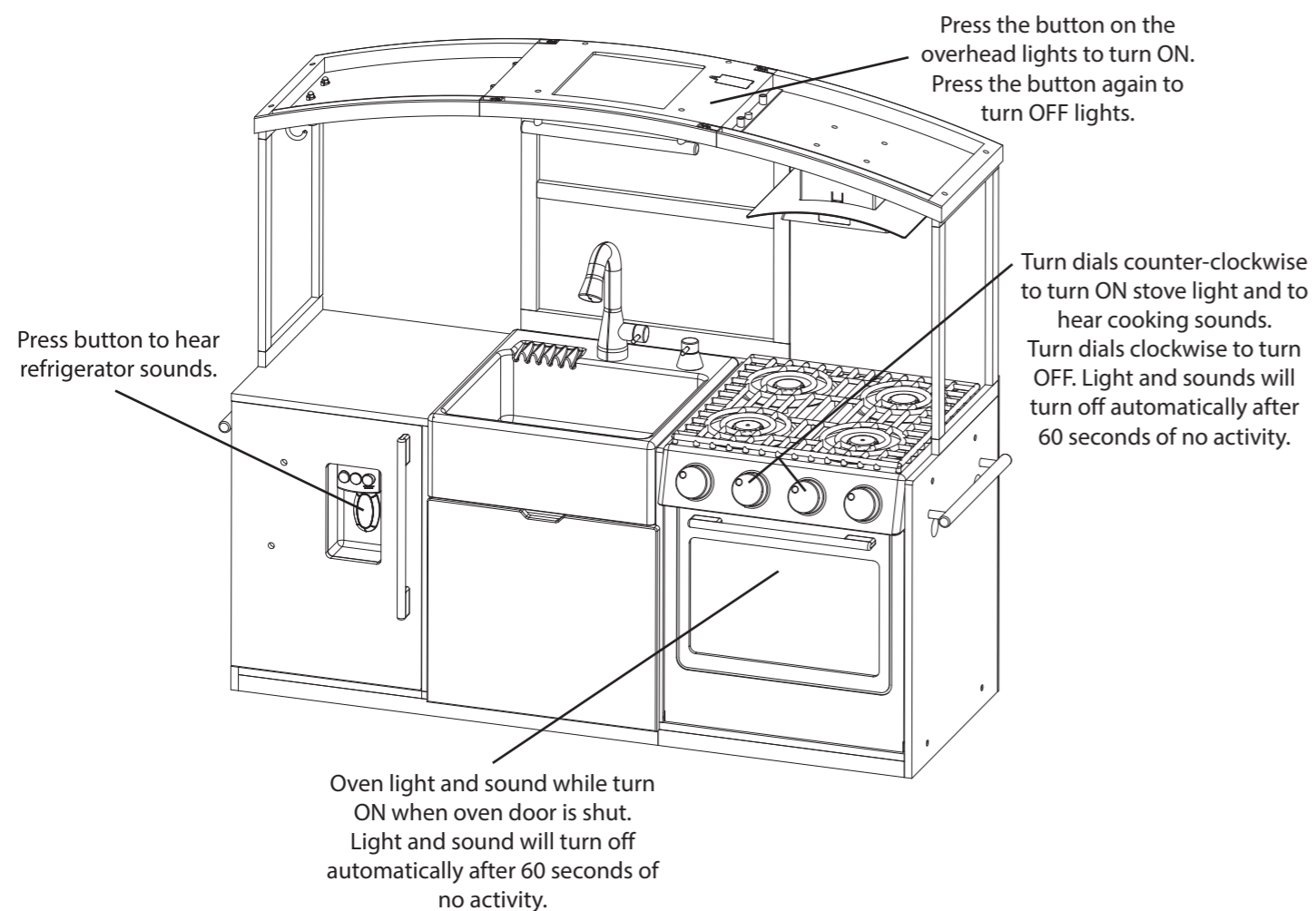
## BATTERY INSTALLATION

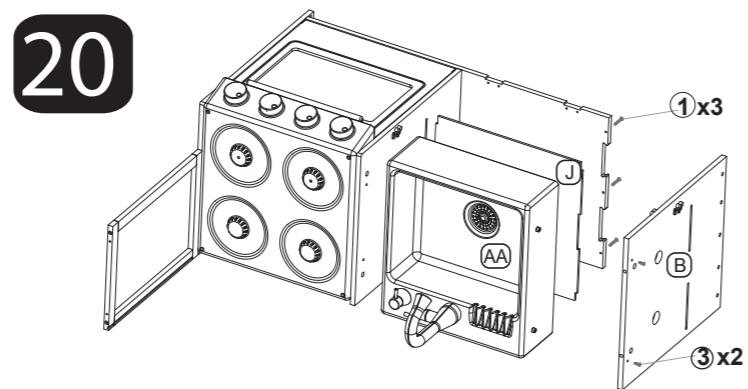
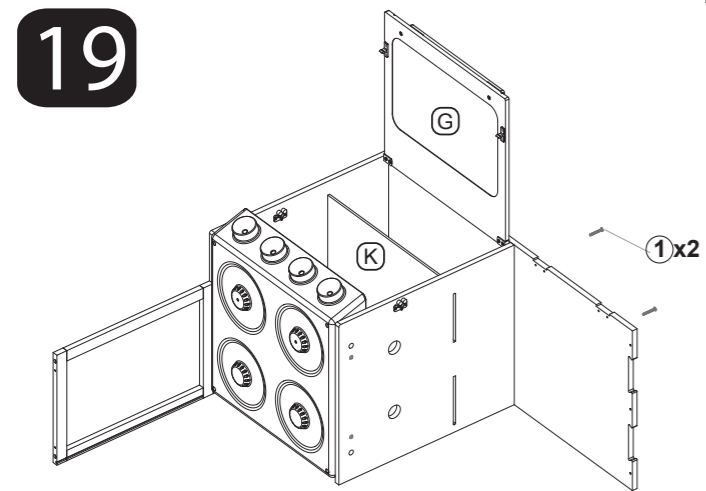
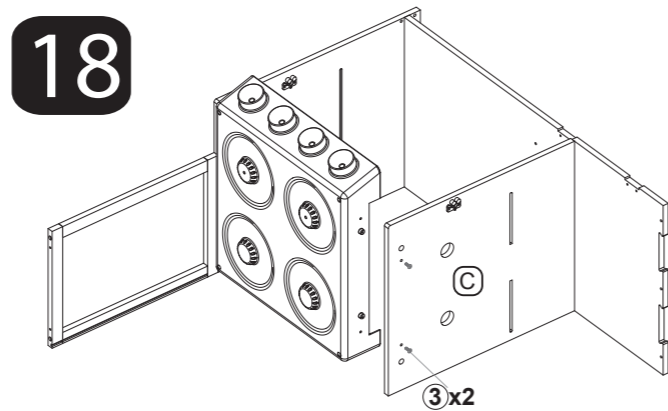
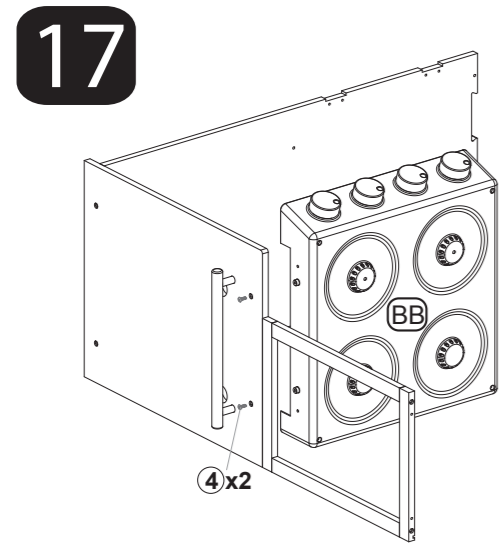
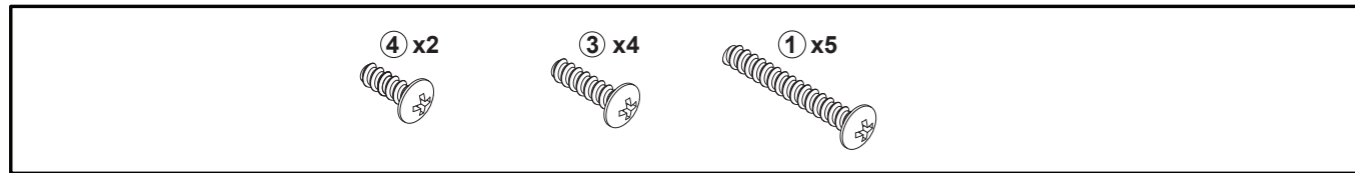
Before beginning, an adult must install fresh alkaline batteries. Here's how:

1. Using a Phillips screwdriver (not included), remove the screws and battery compartment cover for the hanging fixture above the stove top, the stove top itself located underneath the griddle, and on the back of the water dispenser attached to the refrigerator door.
2. Install three (3) fresh 1.5V AAA (LR03) or 1.5V AA (LR6) alkaline batteries (not included) into each battery compartment making sure the (+) and (-) ends face the proper direction as indicated inside the battery compartments.
3. Replace the compartment covers and tighten the screws.



## FEATURES





## ASSEMBLY

