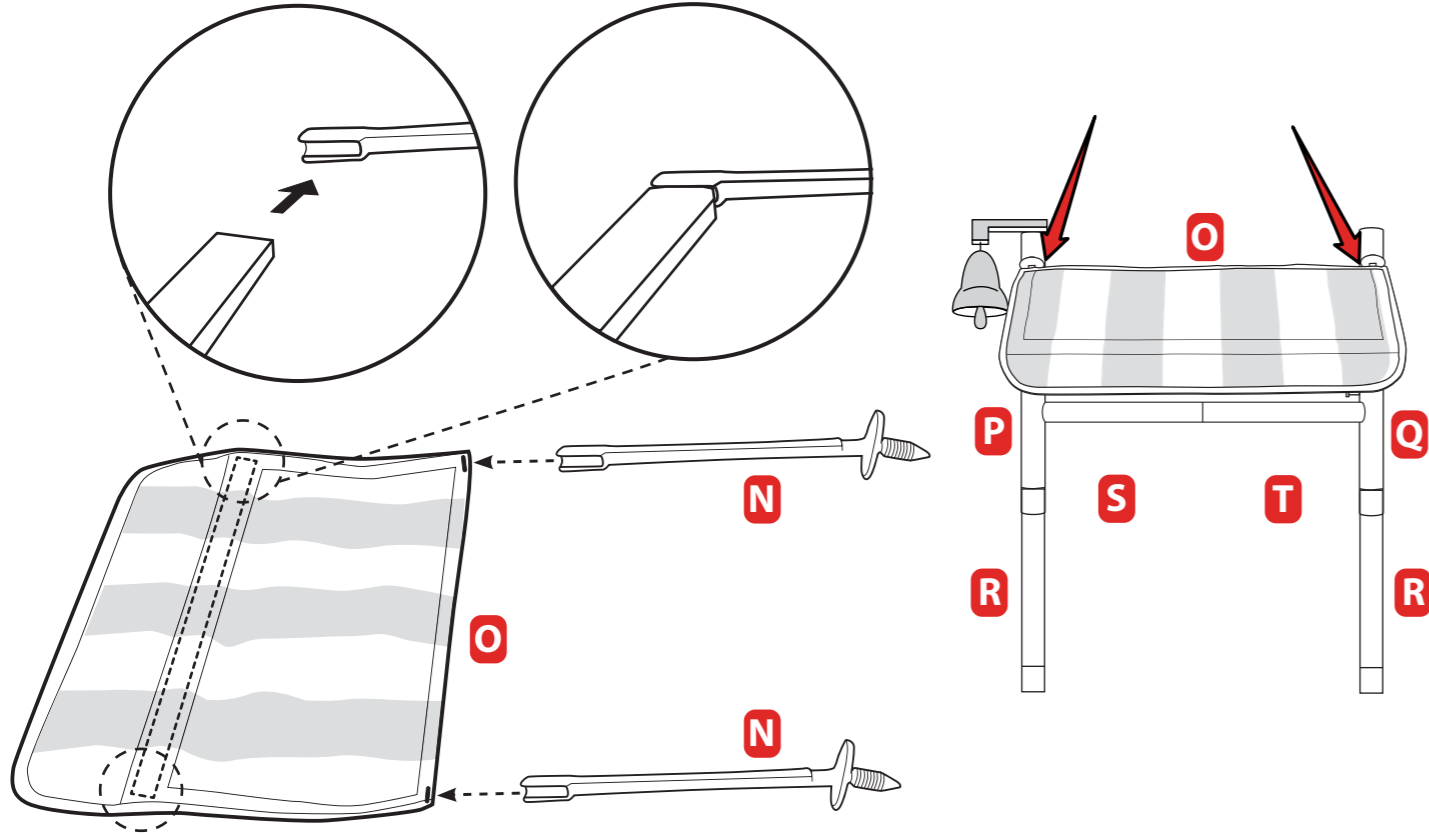


9 A Little Shade

Slide the Canopy Fasteners (N) into the pockets at each end of the canopy (O). Then, snap the assembled canopy fasteners into the Upper Cross Bar Poles (P, Q).



10 Make it Your Own!

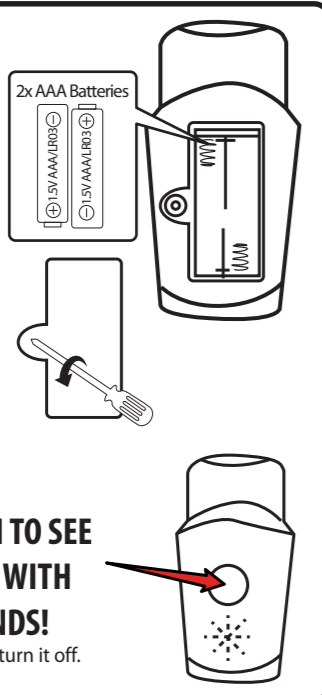
Insert the Lower Cross Bar Poles (R) into the openings on the Cart Top (D). Now get ready to serve! Feature your options by using the compartments and slots on the Cart Top (D). Add the doughnuts to the hangers on the Upper Cross Bar Pole - Right (Q). Use the hooks to hang the coffee cups to the Cross Bar. Use Chalk to write on the chalk board on the Side Wall - Right (C). Remove chalk with a damp cloth and wipe dry to use again and again!

Bean Grinder

BATTERY INSTALLATION

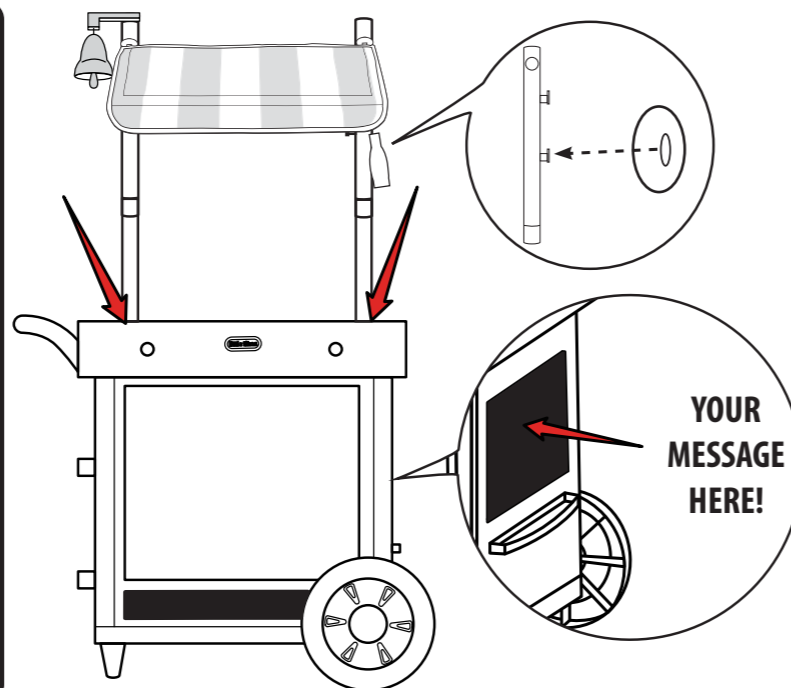
Before beginning, an adult must install fresh alkaline batteries. Here's how:

1. Using a Phillips screwdriver (not included), remove the screw and battery compartment cover located on the back of the Bean Grinder.
2. Install two (2) fresh 1.5V AAA (LR03) alkaline batteries (not included) making sure the (+) and (-) ends face the proper direction as indicated inside the battery compartment.
3. Replace the compartment cover and tighten the screw.



PRESS THE BUTTON TO SEE THE BEANS JUMP WITH REALISTIC SOUNDS!

Press the button again to turn it off.



little tikes

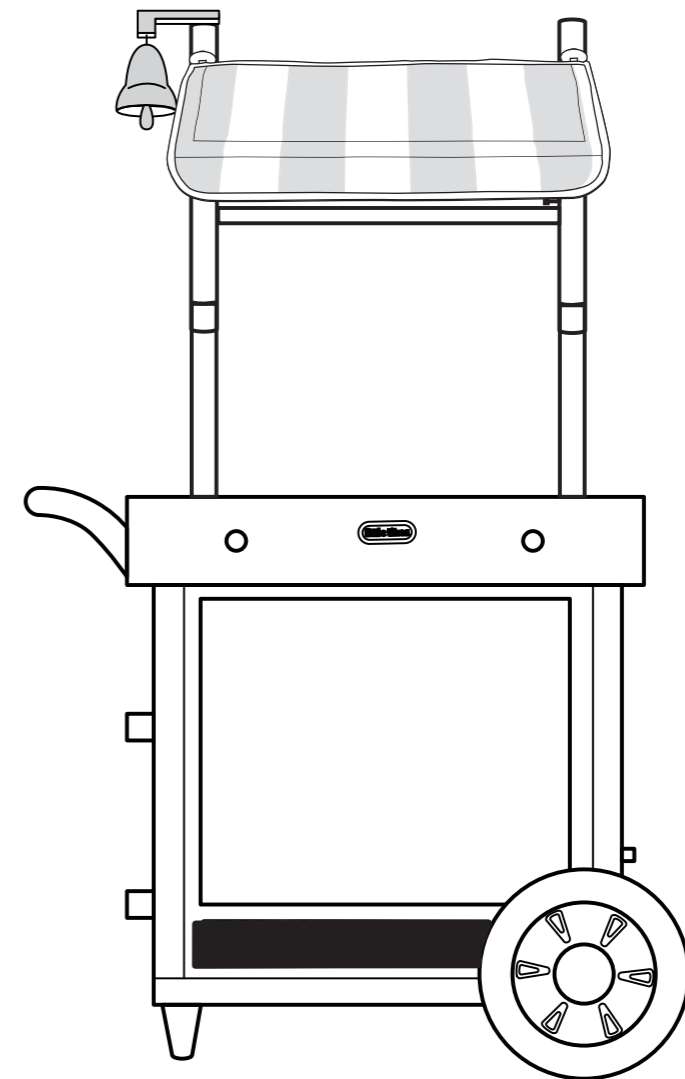


SKU: 658488

2+ YEARS

ADULT ASSEMBLY REQUIRED

ASSEMBLY INSTRUCTIONS



Thank you for choosing the Little Tikes® 2-in-1 Cafe Cart.
We strive to provide a durable, easy-to-assemble toy that is made to last, giving your child years of imaginative, engaging fun!

IMPORTANT INFORMATION YOU SHOULD KNOW!

- Read through all the instructions first.
- Clear a flat surface to lay out all the materials so that everything is close at hand.
- Illustrations are for reference only. Styles may vary from actual contents.
- Please remove all packaging including tags, ties & tacking stitches before giving this product to a child.
- **Make sure you have all contents before assembling. If anything is missing or if you have questions, we're here to help. Give our consumer service team a call at 1-800-321-0183.**

Let's be careful!

⚠ WARNING!

- ADULT ASSEMBLY REQUIRED.
- Please keep this manual as it contains important information.
- This product is intended for indoor and outdoor family use only.
- This product is intended for use by children ages 2 years and up.
- Do not allow children to sit, stand, play or climb on the top surface. Failure to do so may cause the product to become unstable.
- Thoroughly wash all accessories before contact with food or beverages.
- Included accessories are for pretend play only. Food and beverage items are not edible.
- To better clean the product, use a cloth with mild soap and water or skin, hand, or face wipes.

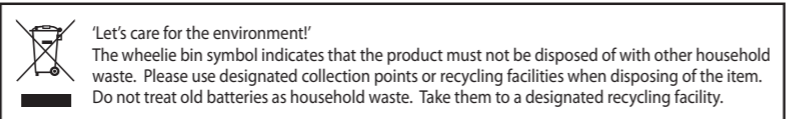
Battery Safety Information. This is serious!

- Keep these instructions for future reference.
 - Requires 2 "AAA" (LR03) alkaline batteries (not included). (Rechargeable batteries may be substituted.)
 - The voltage of a fully-charged, rechargeable battery is often lower than that of a fresh alkaline battery. Therefore, it is recommended that alkaline batteries be used instead of rechargeable batteries for best performance and longer play time.
 - Install batteries with the correct polarity (+ and -).
 - To avoid battery leakage:
 1. Follow the toy and battery manufacturer's installation instructions.
 2. Do not mix old and new batteries.
 3. Do not mix standard (carbon-zinc), alkaline or rechargeable batteries. Do not mix different brands of batteries. Only batteries of the same or equivalent type as recommended are to be used.
 4. When toy is not used for an extended period of time, remove batteries to prevent possible leakage and damage to the unit.
 5. Remove dead or exhausted batteries from product.
 6. Dispose of dead batteries properly; do not bury. Do not dispose of batteries in fire as they may leak or explode.
 - Make sure cover is properly installed on unit at all times.
 - Do not attempt to recharge non-rechargeable batteries.
 - Rechargeable batteries are to be removed from the toy before recharging.
 - Charging of rechargeable batteries should be done by an adult.
 - The supply terminals are not to be short circuited.
- NOTE:** If the unit stops working or doesn't work as it should, remove the batteries for a few minutes and then re-insert them. If there is still a problem, install new batteries

FCC COMPLIANCE

NOTE: This equipment has been tested and found to comply with the limits for a Class B digital device, pursuant to Part 15 of the FCC Rules. These limits are designed to provide reasonable protection against harmful interference in a residential installation. This equipment generates, uses and can radiate radio frequency energy and, if not installed and used in accordance with the instructions, may cause harmful interference to radio communications. However, there is no guarantee that interference will not occur in a particular installation. If this equipment does cause harmful interference to radio or television reception, which can be determined by turning the equipment off and on, the user is encouraged to try to correct the interference by one or more of the following measures:

- Reorient or relocate the receiving antenna.
 - Increase the separation between the equipment and receiver.
 - Connect the equipment into an outlet on a circuit different from that to which the receiver is connected.
 - Consult the dealer or an experienced radio/TV technician for help.
- This device complies with Part 15 of the FCC Rules. Operation is subject to the following two conditions: (1) This device may not cause harmful interference, and (2) this device must accept any interference received, including interference that may cause undesired operation.
- Caution: Modifications not authorized by the manufacturer may void users authority to operate this device.
- This device contains licence-exempt transmitter(s)/receiver(s) that comply with Innovation, Science and Economic Development Canada's licence-exempt RSS(s). Operation is subject to the following two conditions: (1) This device may not cause interference. (2) This device must accept any interference, including interference that may cause undesired operation of the device.
- CAN ICES-3 (B)/NMB-3(B).



© The Little Tikes Company, an MGA Entertainment company. LITTLE TIKES® is a trademark of Little Tikes in the U.S. and other countries. All logos, names, characters, likenesses, images, slogans, and packaging appearance are the property of Little Tikes.

Printed in China • 0321-0-E/INT

CONSUMER SERVICE

Little Tikes Consumer Service
www.littletikes.com
 2180 Barlow Road
 Hudson, Ohio 44236 U.S.A.
 Email: service@littletikescares.com
 1-800-321-0183 Monday-Friday

MGA Entertainment UK Ltd.
www.littletikes.co.uk
 50 Presley Way, Crownhill, Milton
 Keynes, MK8 0ES, Bucks, UK
 support@LittleTikesStore.co.uk
 Tel: +0 800 521 558

MGA Entertainment (Netherlands) B.V.
 Baronie 68-70
 2404 XG Alphen a/d Rijn
 The Netherlands
 Tel: +31 (0) 172 758038

Imported by MGA Entertainment Australia Pty Ltd
www.littletikes.com.au
 Suite 2.02, 32 Delhi Road
 Macquarie Park NSW 2113
 1300 059 676



LIMITED WARRANTY

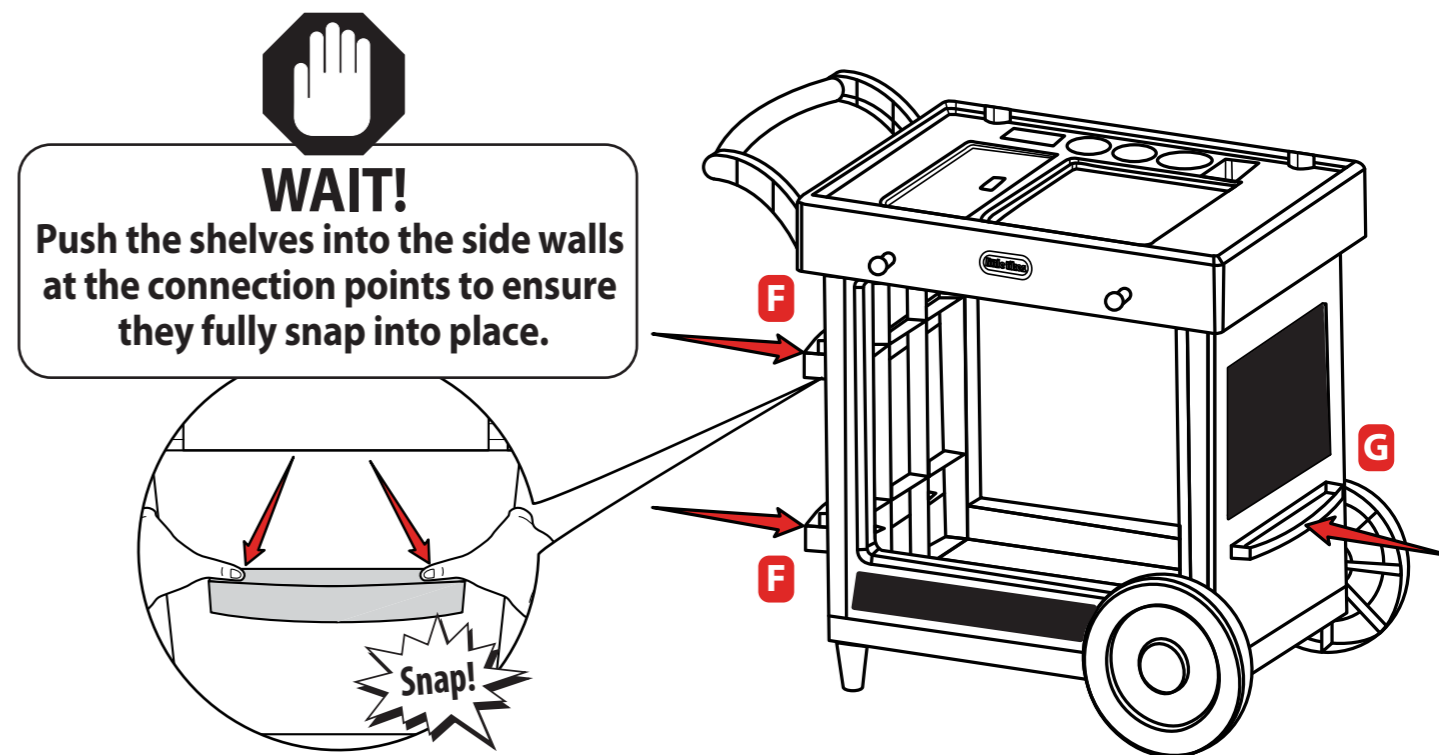
The Little Tikes Company makes fun, high quality toys. We warrant to the original purchaser that this product is free of defects in materials or workmanship for one year * from the date of purchase (dated sales receipt is required for proof of purchase). At the sole election of The Little Tikes Company, the only remedies available under this warranty will be the replacement of the defective part or replacement of the product. This warranty is valid only if the product has been assembled and maintained per the instructions. This warranty does not cover abuse, accident, cosmetic issues such as fading or scratches from normal wear, or any other cause not arising from defects in material and workmanship. *The warranty period is three (3) months for daycare or commercial purchasers.

U.S.A and Canada: For warranty service or replacement part information, please visit our website at www.littletikes.com, call 1-800-321-0183 or write to: Consumer Service, The Little Tikes Company, 2180 Barlow Road, Hudson OH 44236, U.S.A. Some replacement parts may be available for purchase after warranty expires—contact us for details.

Outside U.S.A and Canada: Contact place of purchase for warranty service. This warranty gives you specific legal rights, and you may also have other rights, which vary from country/state to country/state. Some countries/states do not allow the exclusion or limitation of incidental or consequential damages, so the above limitation or exclusion may not apply to you.

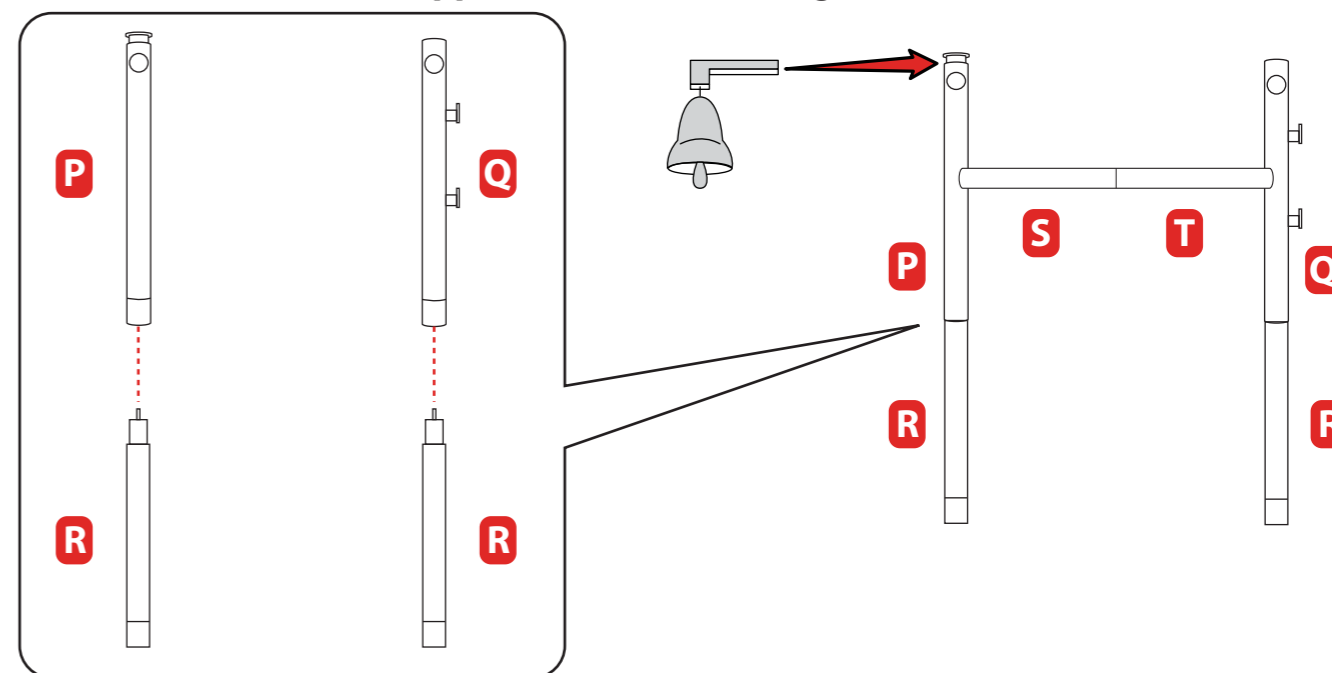
7 Add Shelves

Stand the cart upright. Snap two Left Shelves (F) onto the Side Wall - Left (B). Snap one Right Shelf (G) to the Side Wall - Right (C).



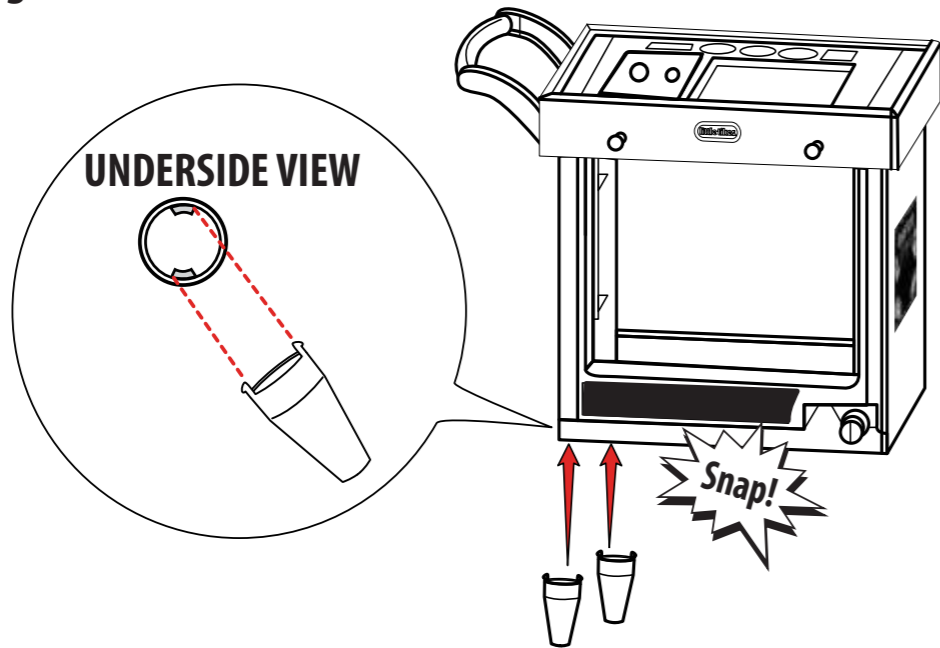
8 Cross Bar

Snap the Lower Cross Bar Poles (R) into the Upper Cross Bar Pole- Left (P) and Upper Cross Bar Pole - Right (Q). Attach Cross Bar- Left (S) and Cross Bar- Right (T) together. Then, insert the Cross Bars (S and T) into the openings on the poles and attach the Bell to the Upper Cross Bar Pole - Right.



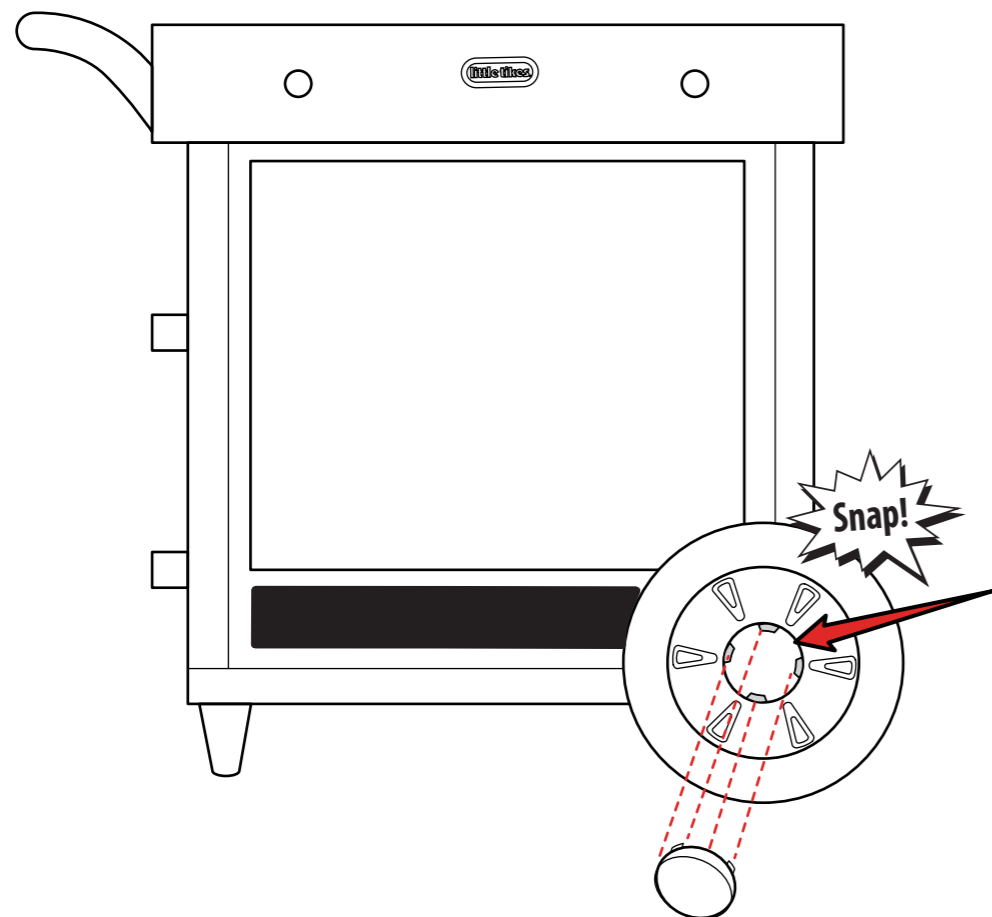
5 Attach Legs

Turn the cart on its side. Snap two Leg Stands (J) into the openings under the Bottom Platform (A). Ensure the tabs on the Leg Stands snap into the openings under the Bottom Platform.



6 Ready to Roll

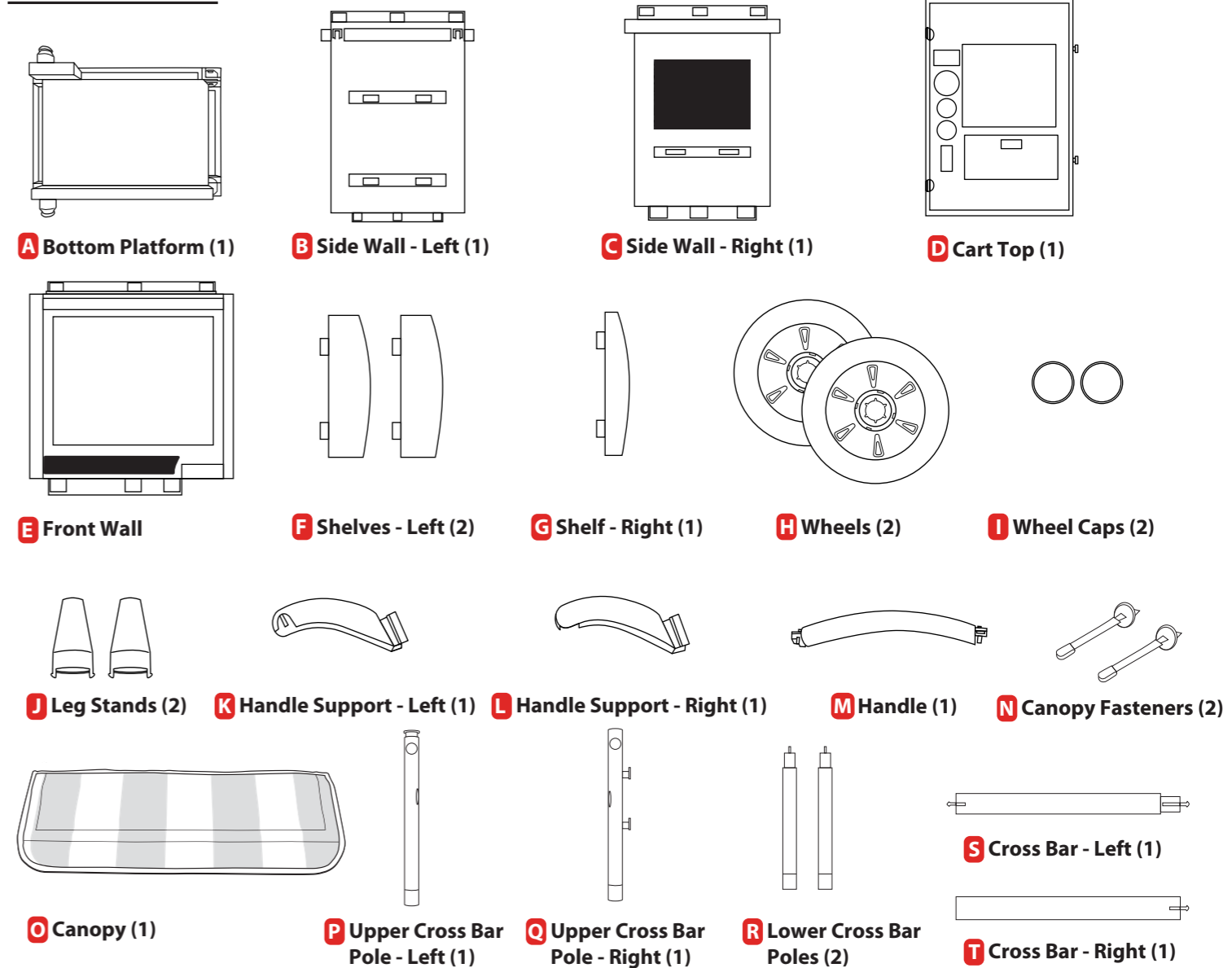
With the cart on its side, snap one Wheel (H) onto the Bottom Platform (A). Then, snap a Wheel Cap (I) onto the center of the wheel. Turn the cart over and repeat on the other side of the cart.



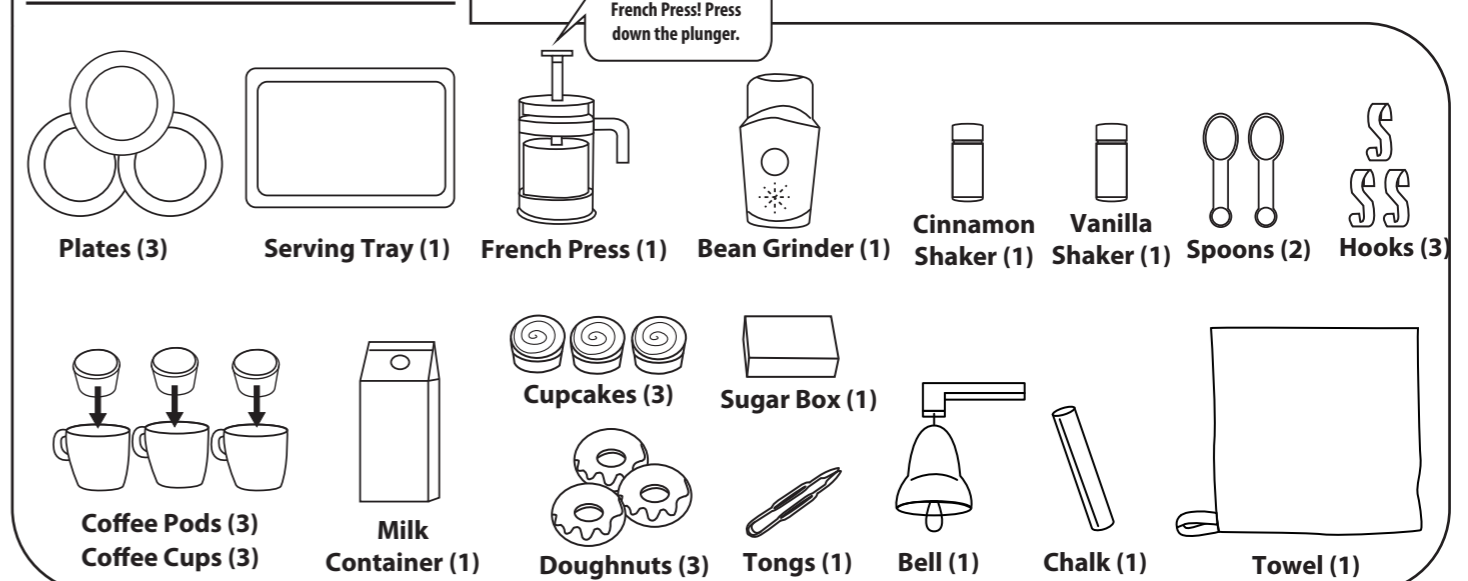
A Few Things Before You Start!

BEFORE you begin assembly, make sure you have all the parts listed below. Questions? We're here to help. Little Tikes® Consumer Service: 1-800-321-0183

Cart Parts

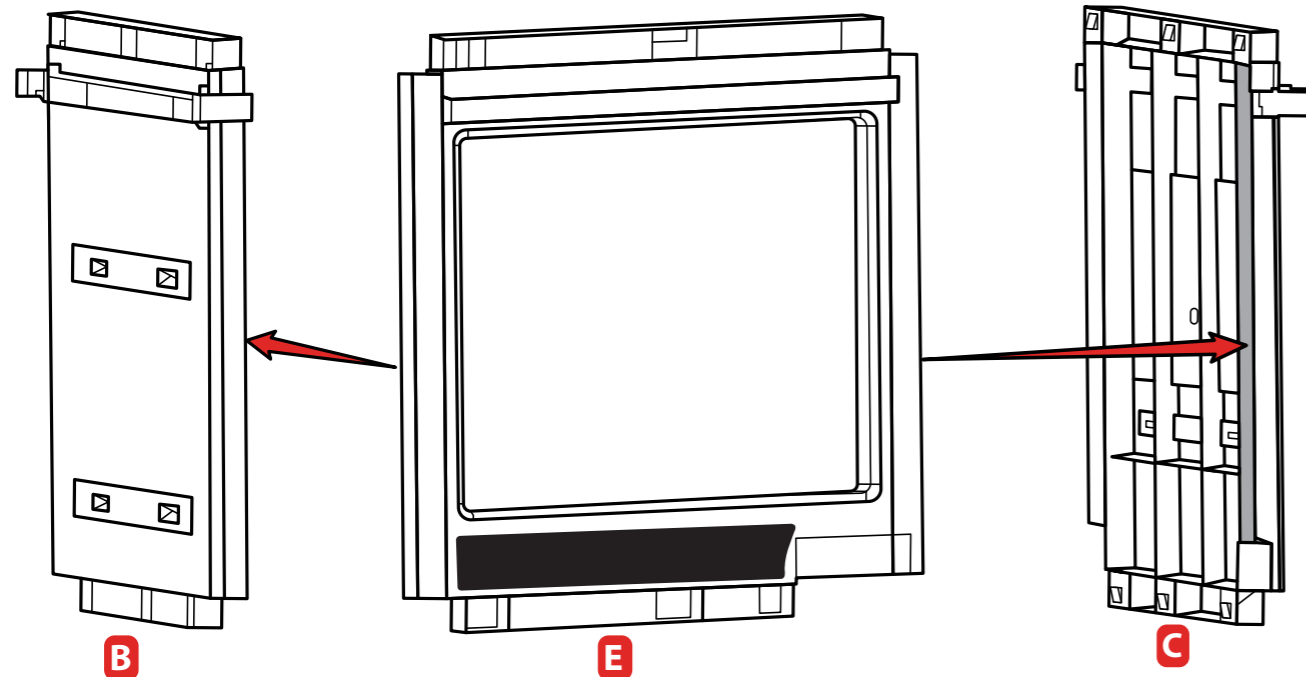


Cart Accessories



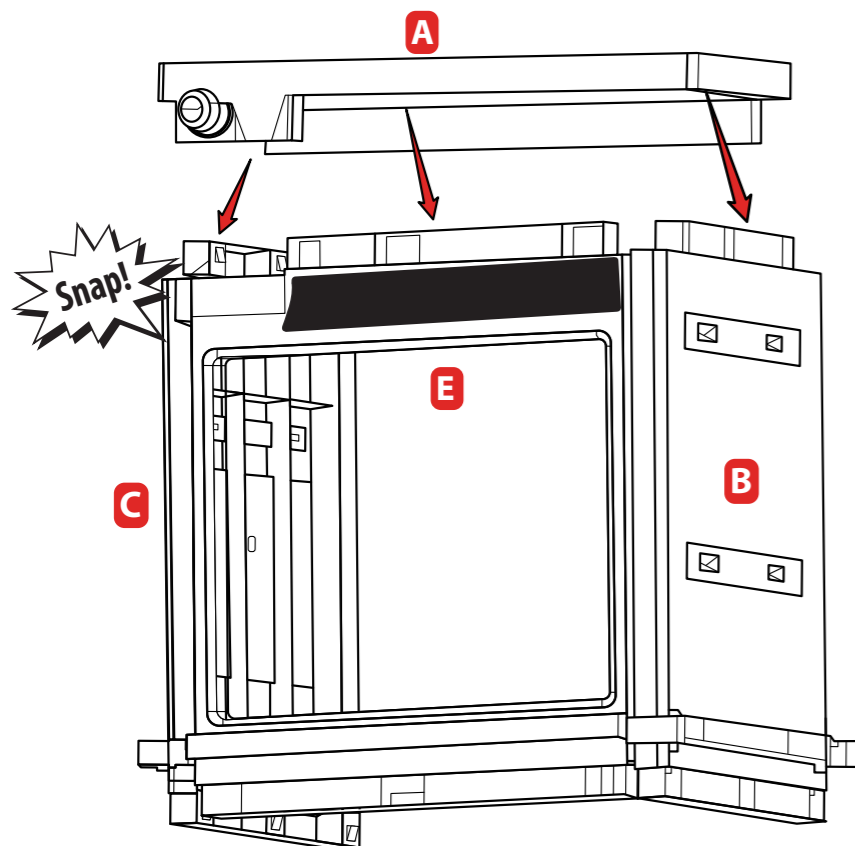
1 Start Building

Connect the Front Wall (E) to the Side Wall - Left (B) and Side Wall - Right (C).



2 Attach the Bottom

Turn the assembly over. Snap the Bottom Platform (A) onto the Side Walls (B, C) and Front Wall (E). Two adults are recommended for this assembly.

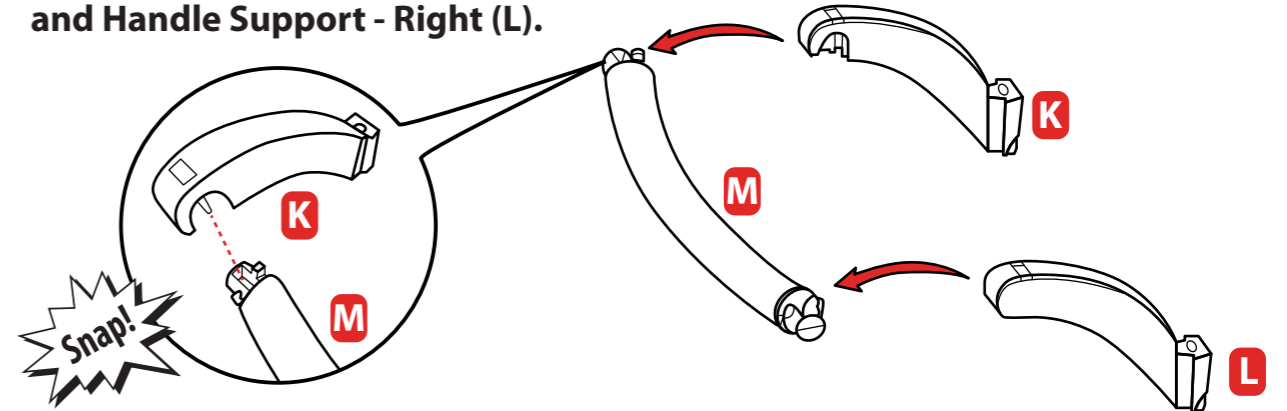


WAIT!

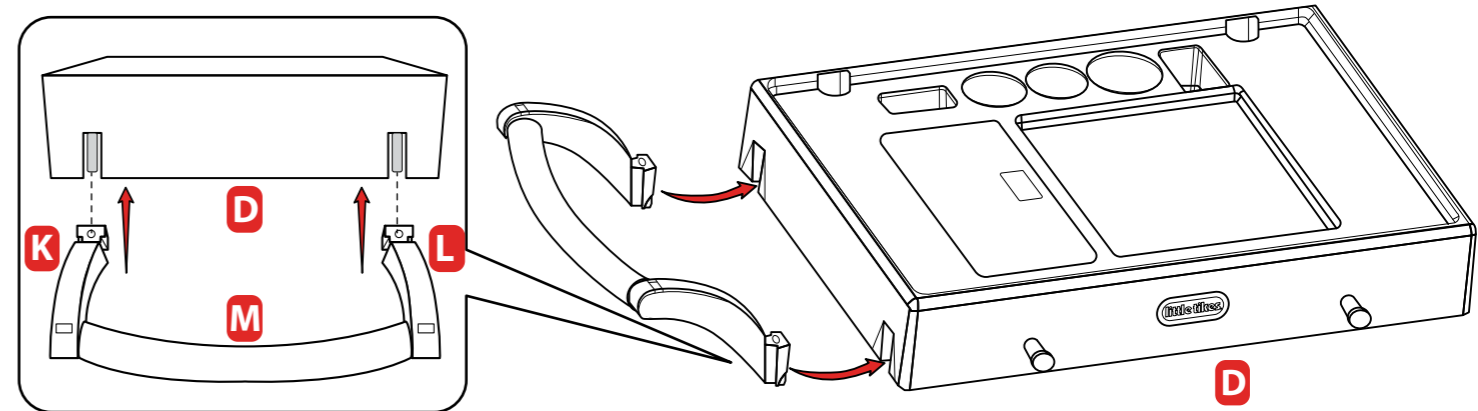
Ensure all 9 tabs snap into place on the Bottom Platform (A). If the side walls do not fit into the Bottom Platform, turn them around. Once assembled, the Bottom Platform cannot be removed.

3 Handle It

Snap the Handle (M) into the Handle Support - Left (K) and Handle Support - Right (L).

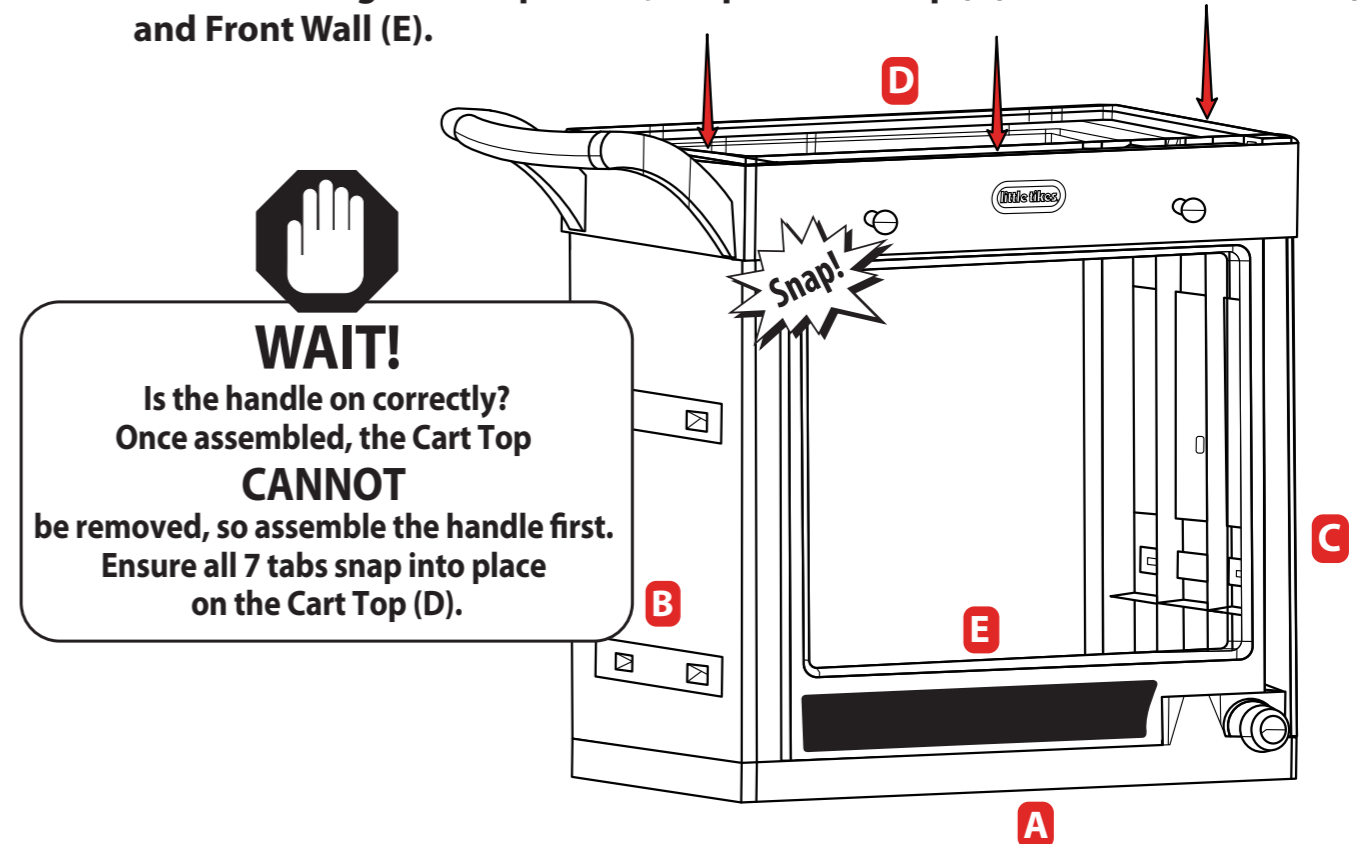


Attach the Handle Supports (K, L) to the Cart Top (D) by inserting the pegs on the Cart Top into the openings on the Handle Supports.



4 Top it Off

Turn the cart right side up. Then, snap the Cart Top (D) onto the Side Walls (B, C) and Front Wall (E).



WAIT!

Is the handle on correctly? Once assembled, the Cart Top **CANNOT** be removed, so assemble the handle first. Ensure all 7 tabs snap into place on the Cart Top (D).