

ASSEMBLY INSTRUCTIONS



Thank you for choosing the Little Tikes® Learn & Play™ Roll Arounds™ Rollin' Railroad.
We strive to provide a durable, easy-to-assemble toy that is made to last,
giving your child years of imaginative, engaging fun!

⚠ **CAUTION:** This toy is not a ball and should not be thrown at people, pets or other objects.

IMPORTANT INFORMATION YOU SHOULD KNOW!

- Read through all the instructions first.
- Clear a flat surface to lay out all the materials so that everything is close at hand.
- Illustrations are for reference only. Styles may vary from actual contents.
- Please remove all packaging including tags, ties & tacking stitches before giving this product to a child.
- **Make sure you have all contents before assembling. If anything is missing or if you have questions, we're here to help. Give our consumer service team a call at 1-800-321-0183.**

Let's be careful!

⚠ **WARNING!**

- ADULT ASSEMBLY REQUIRED.
- Prior to and during assembly, keep away from children until assembled.
- Follow the provided instructions to avoid potential hazards that may result from incorrect assembly.
- Please keep this manual as it contains important information.
- This product is intended for indoor use only.
- This product is intended for use by children 18+ months.
- Do not allow children to stand or sit on the unit.
- Place on flat, level surfaces free of objects that could cause the toy to tip over. Also, place out of the way of household traffic.
- Never use near staircase, steps, pools, hot surfaces, or areas that may be hazardous to a child.
- Do not use if damaged, broken or if components are missing.
- Clean with a cold damp cloth and wipe off any moisture with a dry cloth.
- Do not play with vehicle in the street, where there is vehicular traffic or in heavily traveled areas with pedestrians.
- Do not roll the vehicle into furniture, walls, pets, people, etc., as doing so may cause injury to the person and irreparable damage to the unit.
- Do not roll through water, mud, etc.
- Keep long hair and other loose objects, like shoelaces, away from the rotating roller under the vehicle.
- Hold the vehicle tightly to avoid accidentally dropping it on your feet.
- Keep vehicle away from mouth.

IMPORTANT: Retain these instructions for future reference.

© The Little Tikes Company, an MGA Entertainment company. LITTLE TIKES® is a trademark of Little Tikes in the U.S. and other countries. All logos, names, characters, likenesses, images, slogans, and packaging appearance are the property of Little Tikes.

Printed in China • 0621-0-E/INT

CONSUMER SERVICE

Little Tikes Consumer Service
www.littletikes.com
2180 Barlow Road
Hudson, Ohio 44236 U.S.A.
Email: service@littletikescare.com
1-800-321-0183 Monday-Friday

MGA Entertainment UK Ltd.
www.littletikes.co.uk
50 Presley Way, Crownhill, Milton
Keynes, MK8 0ES, Bucks, UK
support@LittleTikesStore.co.uk
Tel: +0 800 521 558

MGA Entertainment (Netherlands) B.V.
Baronie 68-70
2404 XG Alphen a/d Rijn
The Netherlands
Tel: +31 (0) 172 758038

**Imported by MGA Entertainment
Australia Pty Ltd**
www.littletikes.com.au
Suite 2.02, 32 Delhi Road
Macquarie Park NSW 2113
1300 059 676

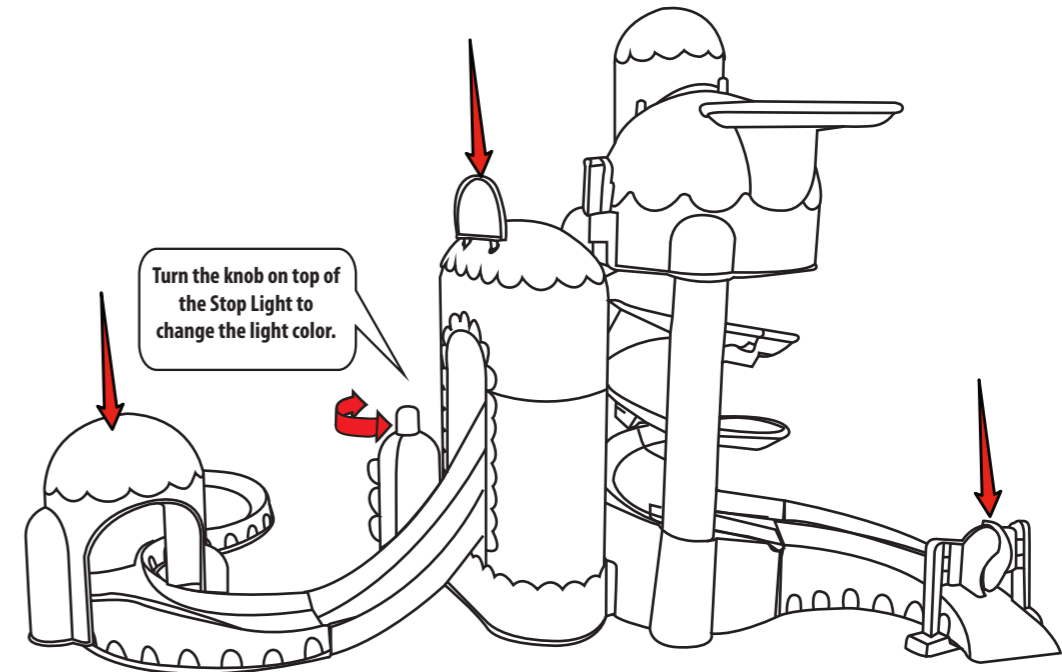


LIMITED WARRANTY

The Little Tikes Company makes fun, high quality toys. We warrant to the original purchaser that this product is free of defects in materials or workmanship for one year * from the date of purchase (dated sales receipt is required for proof of purchase). At the sole election of The Little Tikes Company, the only remedies available under this warranty will be the replacement of the defective part or replacement of the product. This warranty is valid only if the product has been assembled and maintained per the instructions. This warranty does not cover abuse, accident, cosmetic issues such as fading or scratches from normal wear, or any other cause not arising from defects in material and workmanship. *The warranty period is three (3) months for daycare or commercial purchasers.
U.S.A. and Canada: For warranty service or replacement part information, please visit our website at www.littletikes.com, call 1-800-321-0183 or write to: Consumer Service, The Little Tikes Company, 2180 Barlow Road, Hudson OH 44236, U.S.A. Some replacement parts may be available for purchase after warranty expires—contact us for details.
Outside U.S.A. and Canada: Contact place of purchase for warranty service. This warranty gives you specific legal rights, and you may also have other rights, which vary from country/state to country/state. Some countries/states do not allow the exclusion or limitation of incidental or consequential damages, so the above limitation or exclusion may not apply to you.

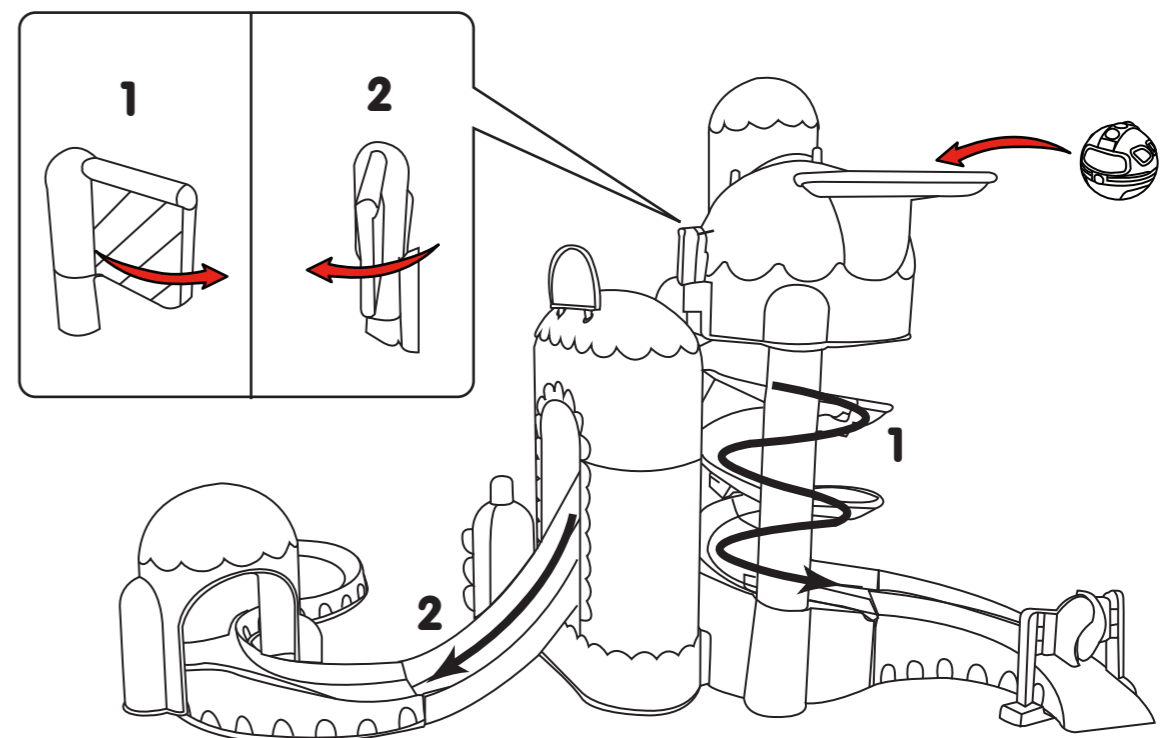
15 Add the Accessories

Place the Bridge over Track 7 (G). Insert the Sign into the openings over Tower Dome (N). Slide the bottom of Gate under Track F (F). Finally, place the Stop Light anywhere outside the railroad.



16 Time to Play!

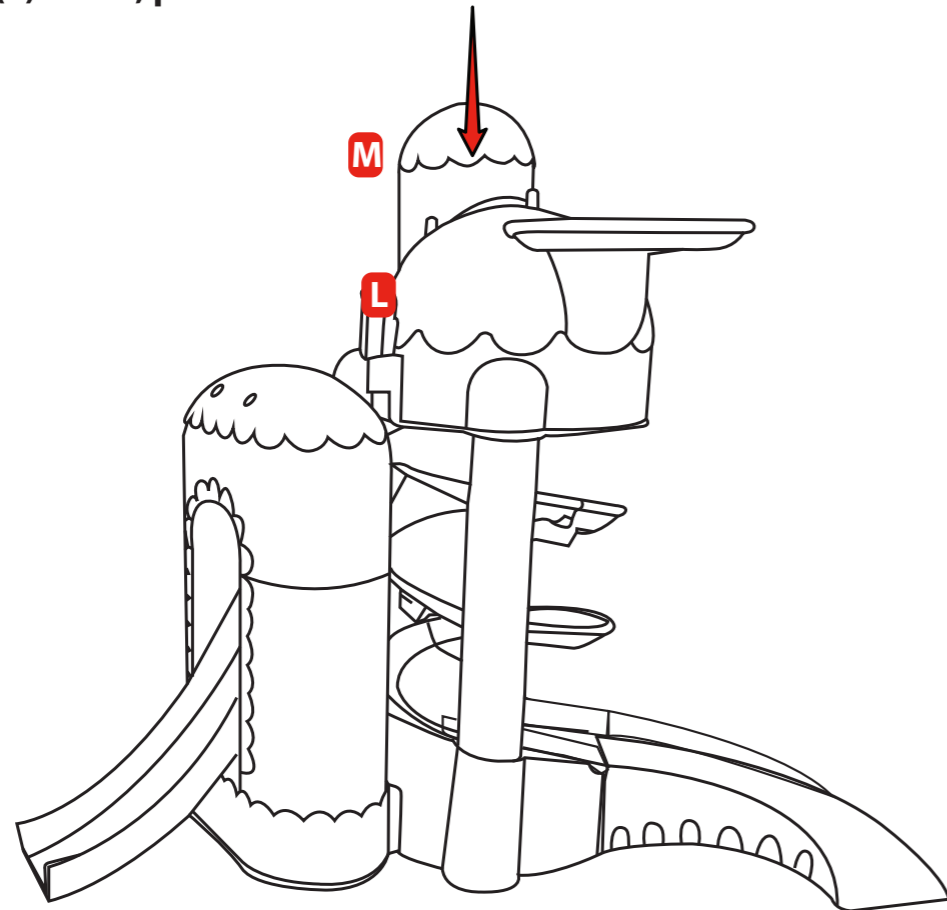
Place the Rail Car on the flat side of Track 1 (A). Then, slightly push the Rail Car so it rolls down the tracks. The Rail Car has two pathways: the spiral slide or the straight slide. To alternate, move the flag to open or close the pathway's door. Close the flag to make the Rail Car roll down the spiral slide, or open the flag and the Rail Car will roll down the straight slide.





Top It Off

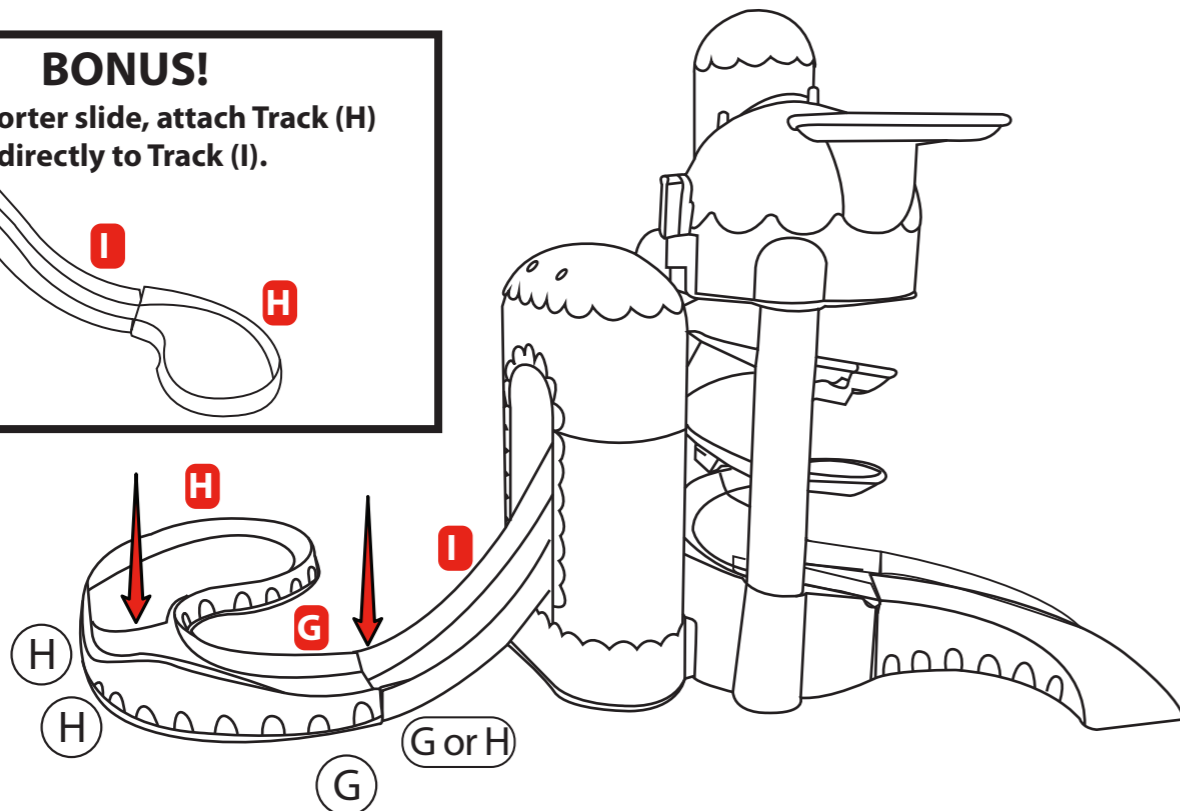
Align the three pegs under Dome Cover (M) with the openings on the Dome (L). Then, place the cover over the dome.



Finish the Slide

Attach Track 7 (G) to Track 9 (I). Then, attach Track 8 (H) to Track 7 (G).

BONUS!
For a shorter slide, attach Track (H) directly to Track (I).

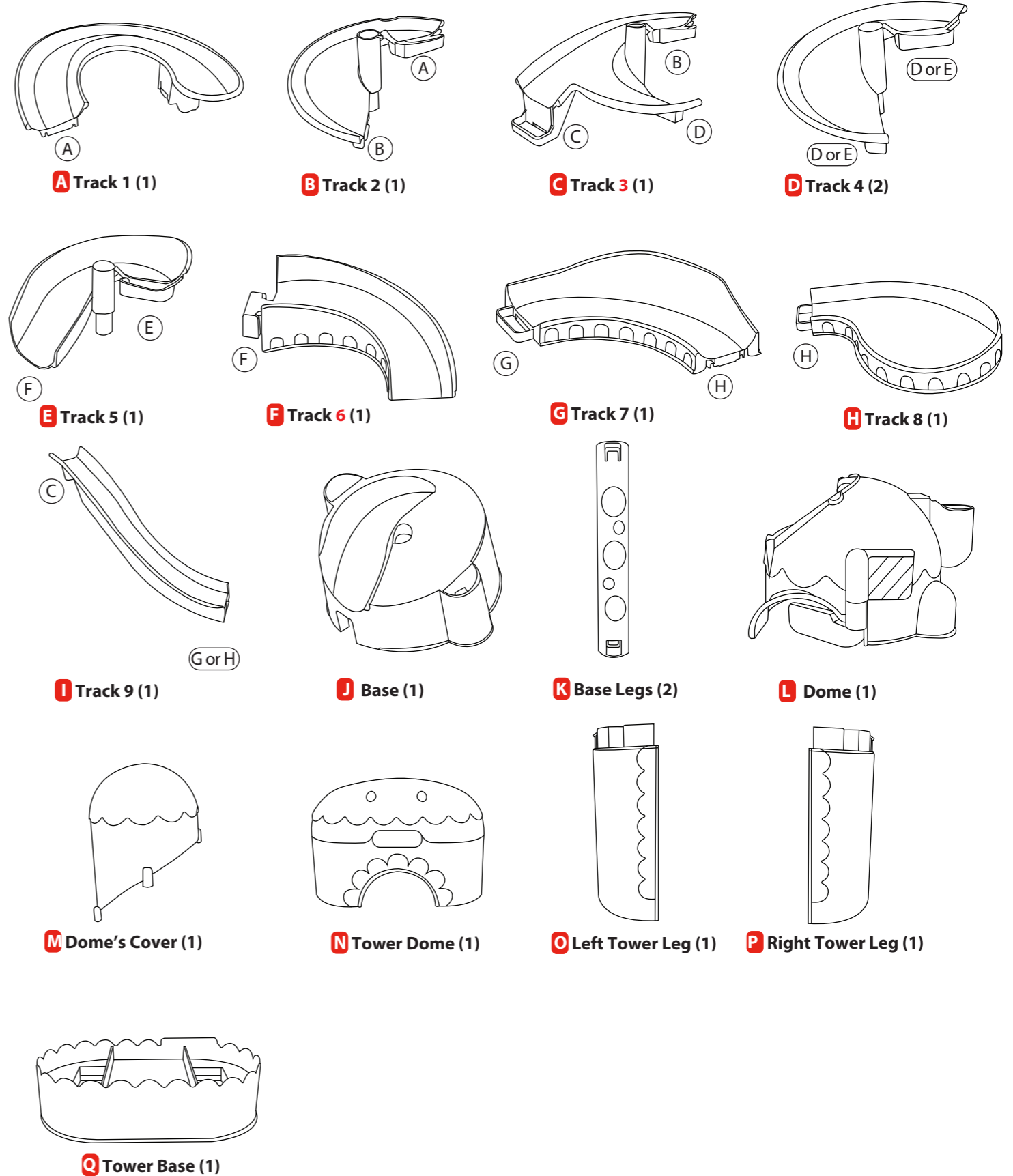


A Few Things Before You Start!

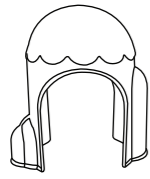
BEFORE you begin assembly, make sure you have all the parts listed below. Questions? We're here to help. Little Tikes® Consumer Service: 1-800-321-0183

Track Parts

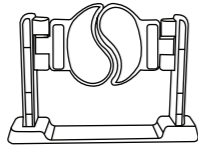
IMPORTANT NOTE: Some track parts have letters under each end. When assembling the tracks, make sure to match the letters.



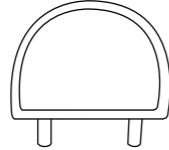
Accessories



Bridge (1)



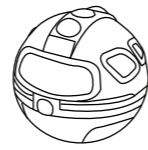
Gate (1)



Sign (1)



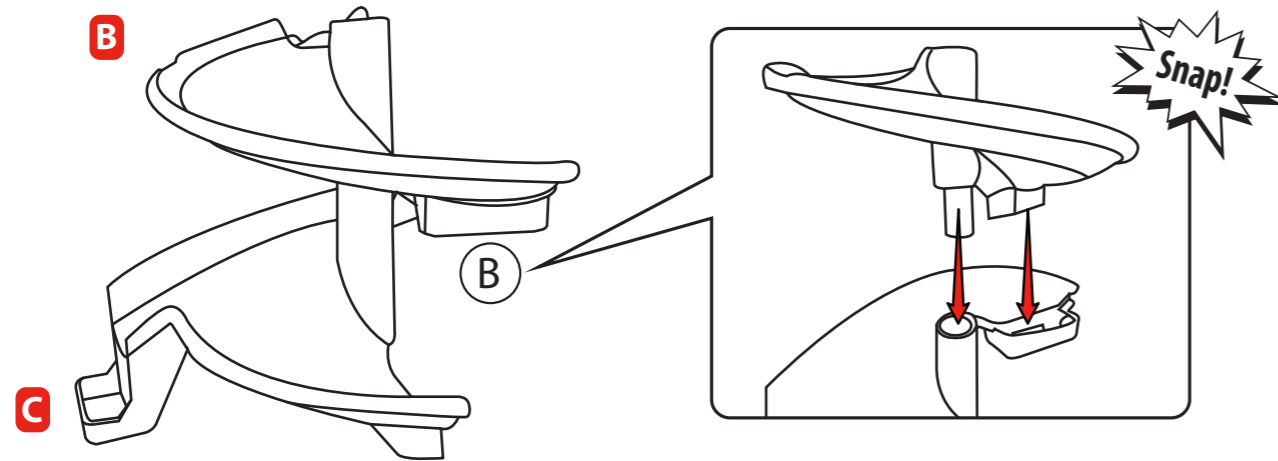
Stop Light (1)



Rail Cars (3)

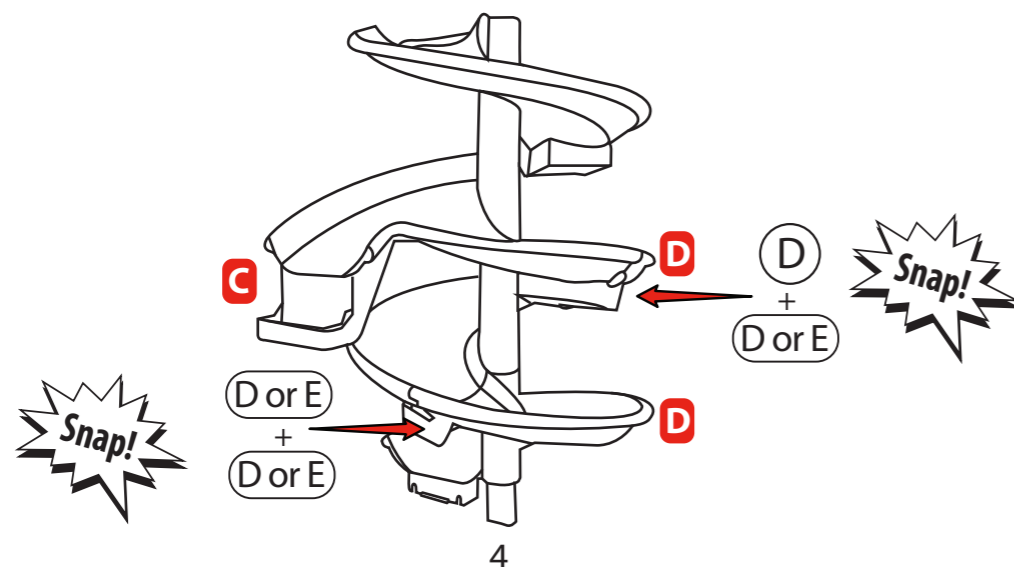
1 Start Building the Spiral Track

Insert the pole under Track 2 (B) into the pole on top of Track 3 (C). Make sure the tabs with the "B's" under each track snap together.



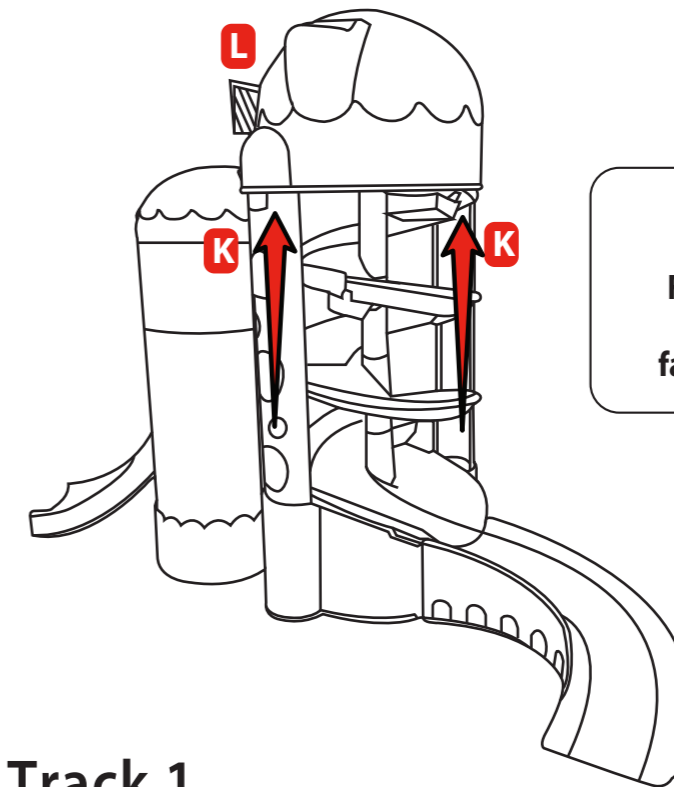
2 Snap Tracks "D or E"

Insert the pole under Track 3 (C) into the pole on top of Track 4 (D). The "D" under Track 3 should snap together with the "D or E." Repeat with the second Track 4 (D), making sure the "D or E's" snap together.



11 Attach the Dome

Align the slots on the sides of the Dome (L) with the Base Legs (K) and the pole under the Dome with the pole on top of Track 2 (B). Then, place the Dome over the spiral track.



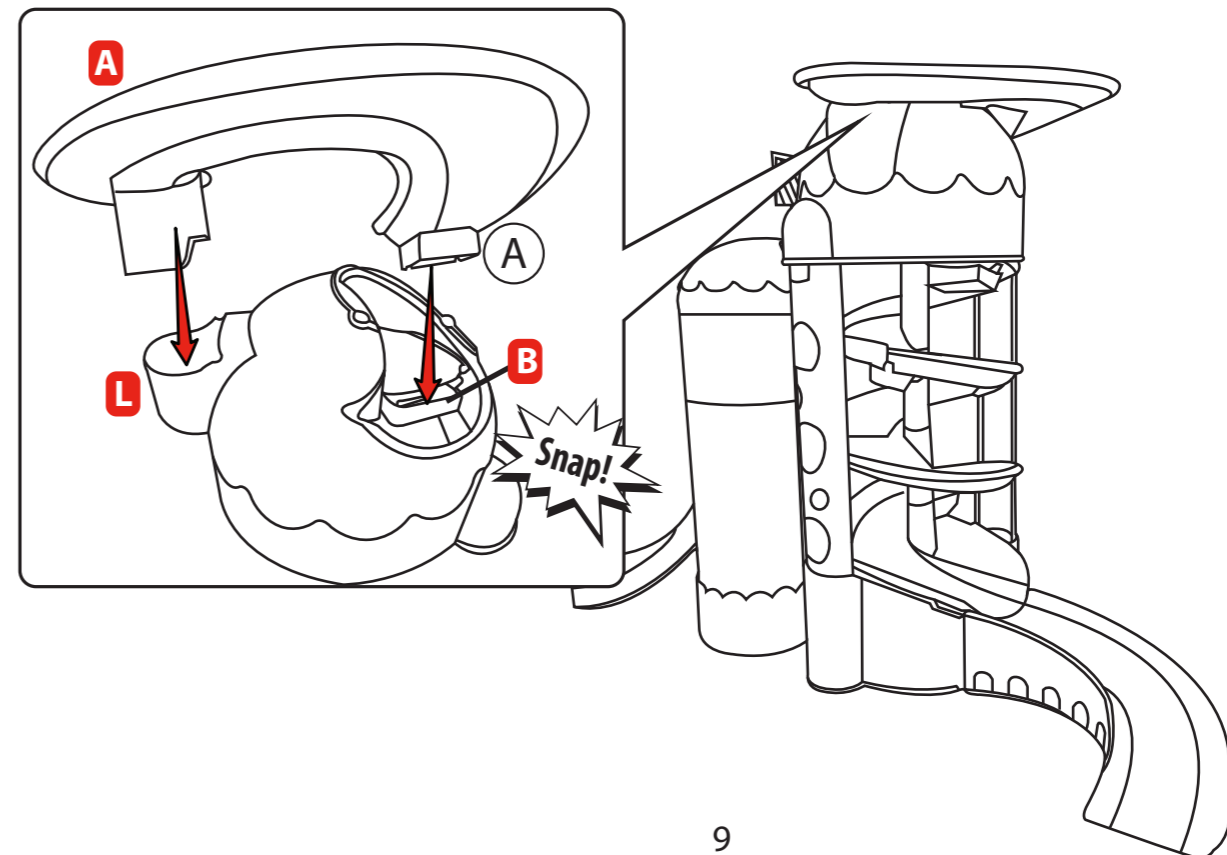
WAIT!

For correct placement, make sure the flag is facing the Tower Dome.

12 Snap Track 1

Align the tabs under Track 1 (A) with the slot on the Dome (L) and the tab on Track 2 (B). Then, snap it together to secure.

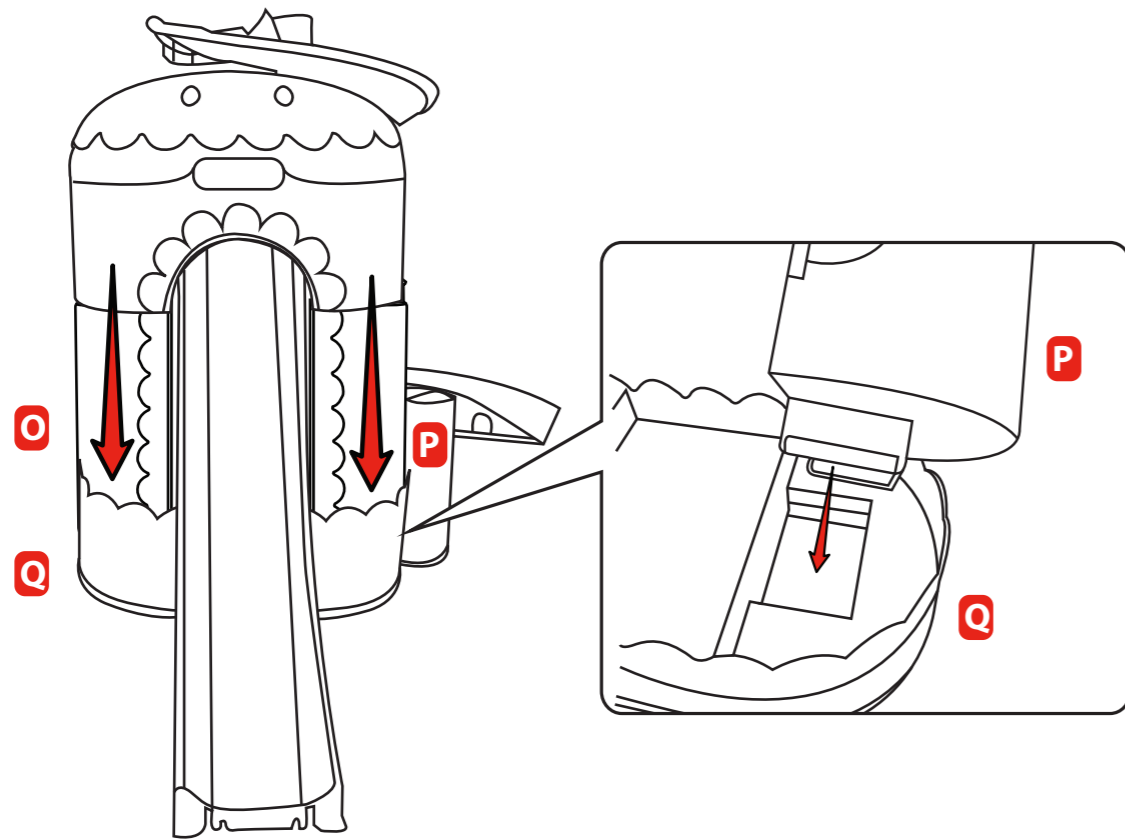
Note: To securely snap the "A's," you will need to reach from under the dome.



9

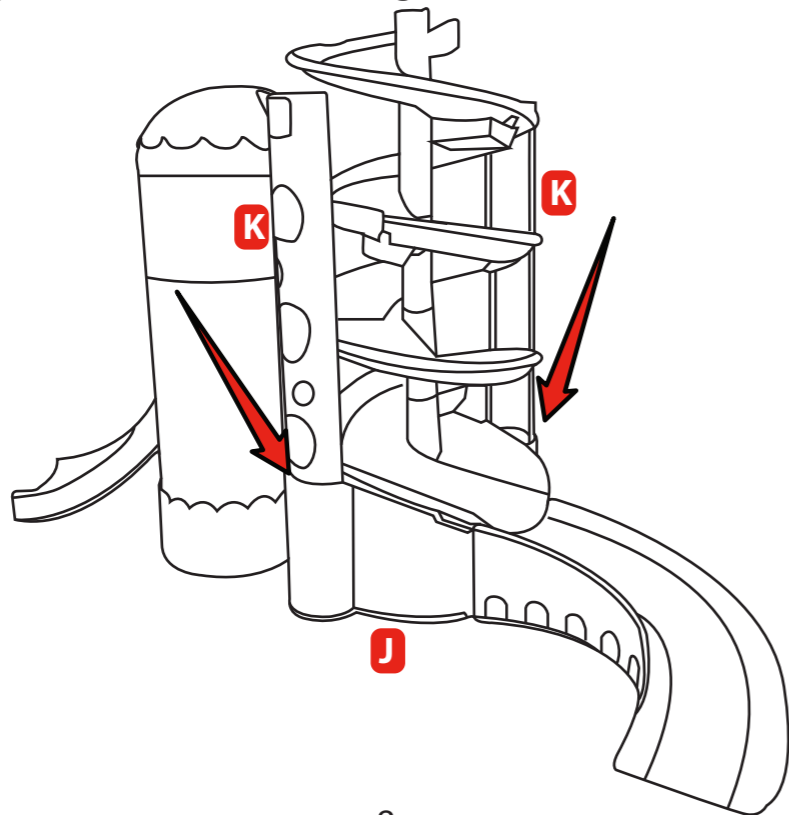
Place the Tower into the Tower Base

Place the Right Tower Leg (O) and Left Tower Leg (P) into the Tower Base (Q). The tabs under the Tower Legs should slide into the slot inside the Tower Base.

**10**

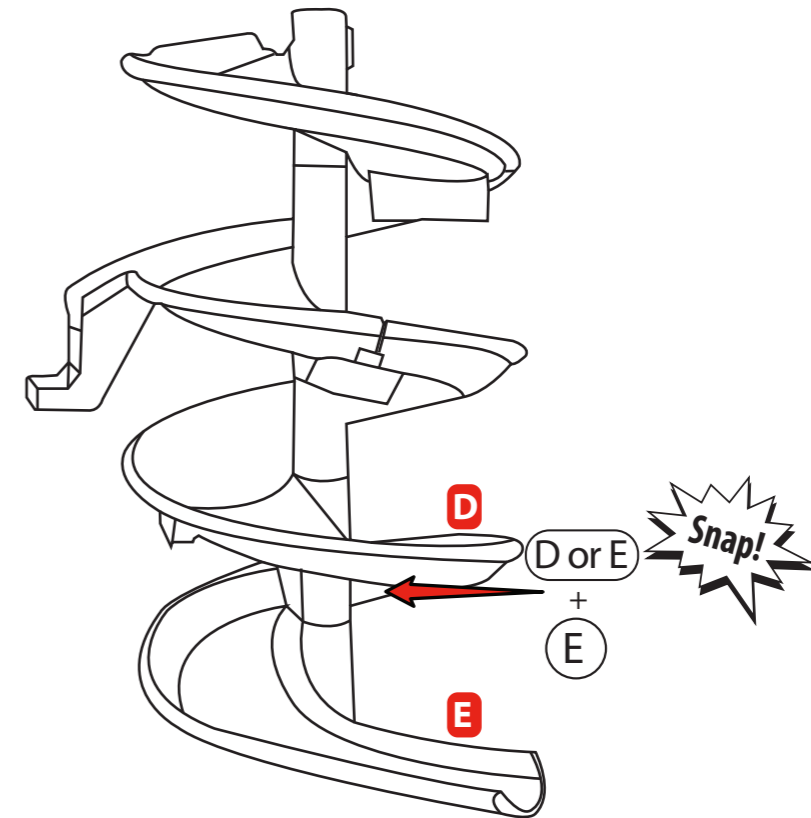
Finish the Spiral Track

Insert the Base Legs (K) into the slots on the sides of the Base (J). Note that the circular patterns should be facing out.

**3**

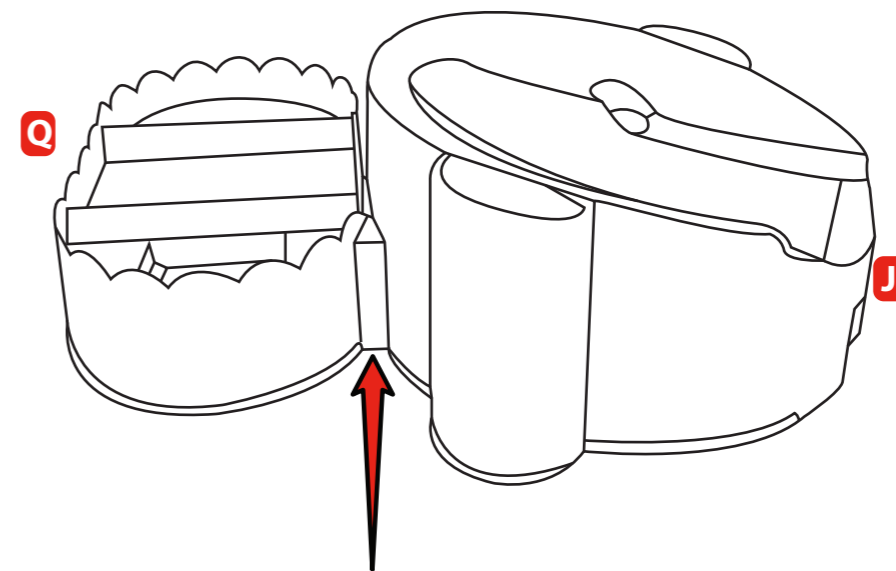
Add the Last Spiral Track

Insert the pole under Track 4 (D) into the pole on top of Track 5 (E).

**4**

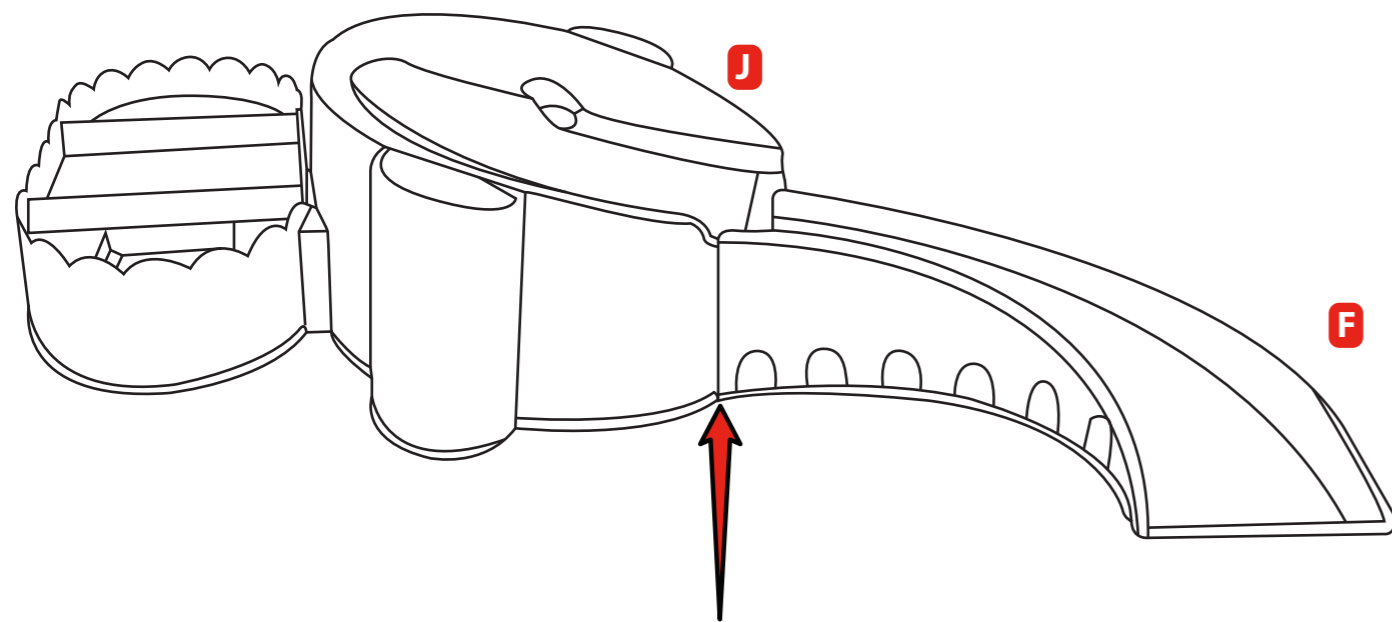
Assemble the Track Base

Insert the T-shape tab on Tower Base (Q) under the bigger opening on the Base (J).



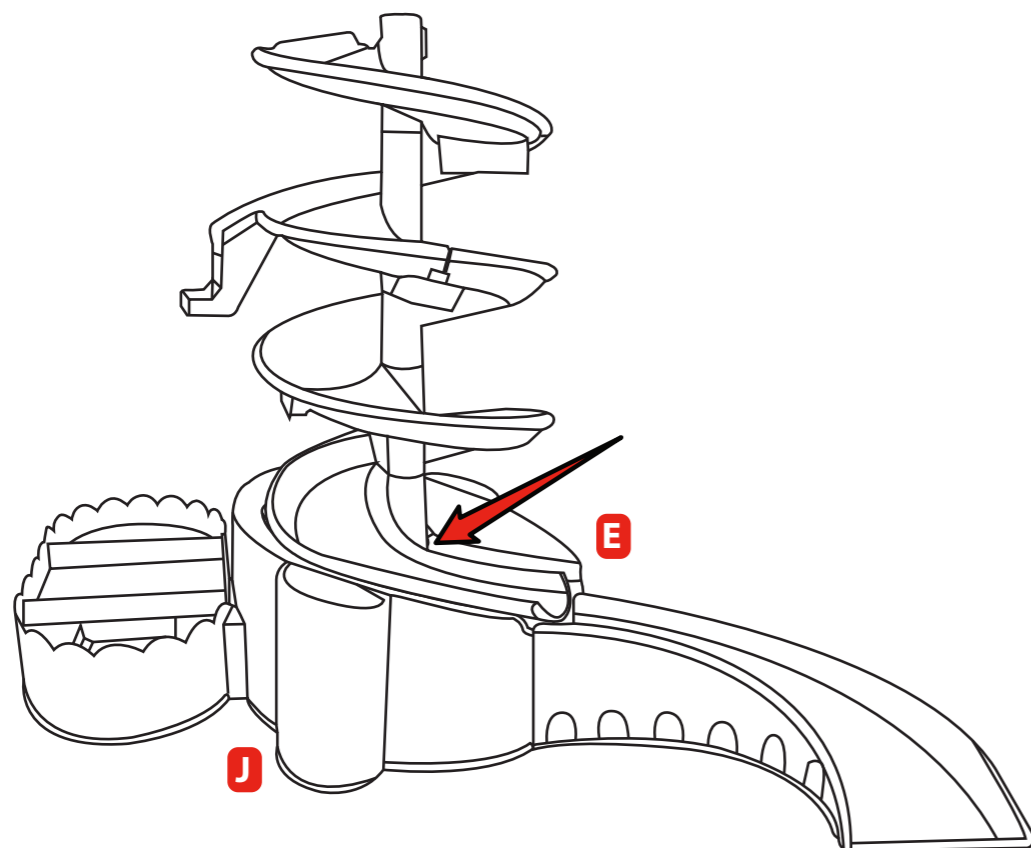
5 Add Track 6 to the Base

Insert the T-shape tab on Track 6 (F) under the smaller opening on the Base (J).



6 Connect the Spiral Track to the Base

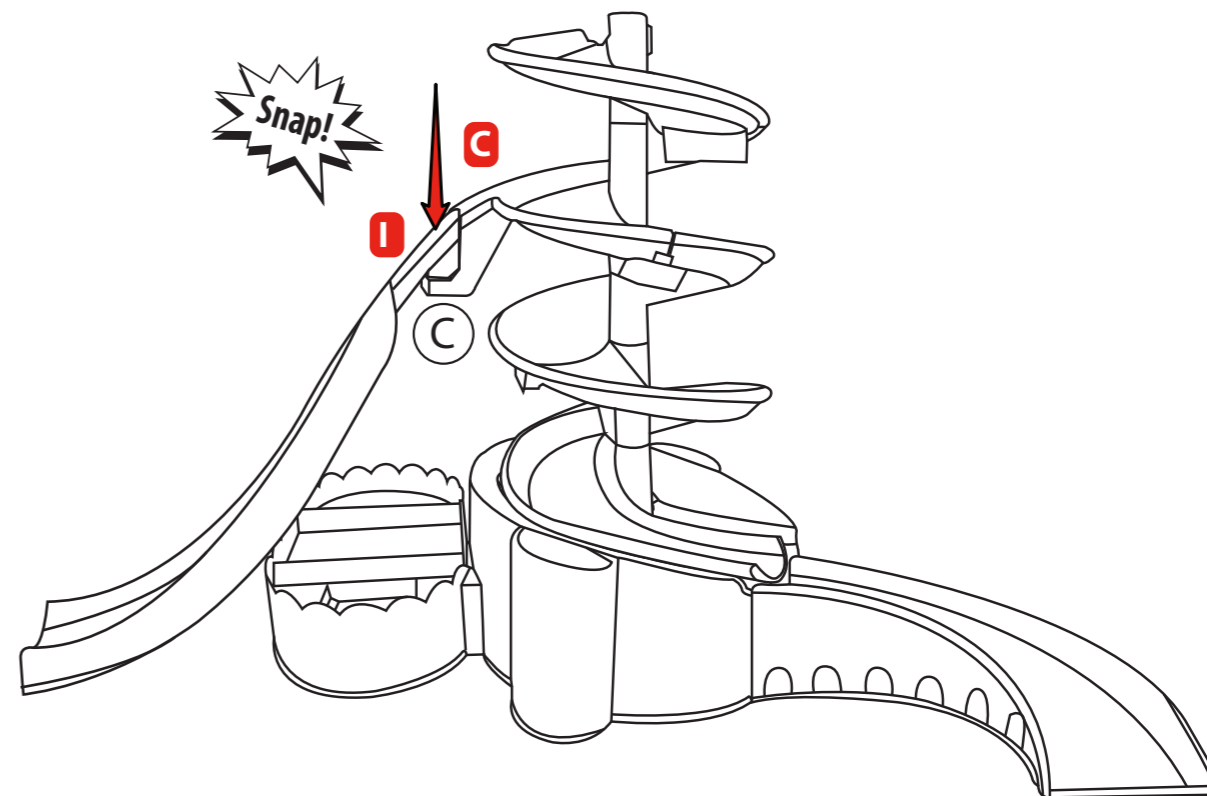
Insert the pole under Track 5 (E) into the middle opening on the Base (J). Make sure the slide on the Track lines up with the indent on the Base.



6

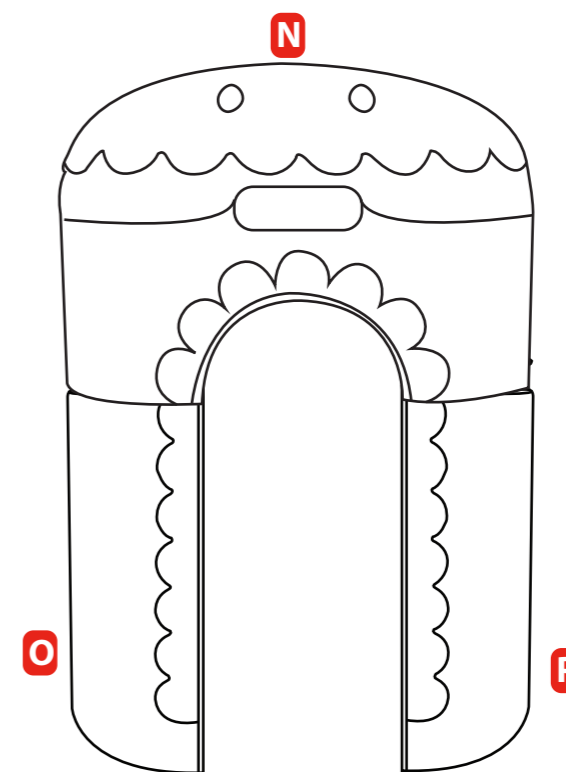
7 Attach the Slide

Snap Track 9 (I) over the slot on Track 3 (C), making sure the "C" under the tracks match.



8 Start Building the Tower

Place the Tower Dome (N) over the Left Tower Leg (O) and Right Tower Leg (P).



7