



PANTHER PEAK OWNER'S MANUAL & ASSEMBLY INSTRUCTIONS

ITEM: 656200 Little Tikes® • 2180 Barlow Road, Hudson, Ohio 44236 • 1-800-321-0183

**THIS PRODUCT IS INTENDED FOR USE BY CHILDREN FROM AGES 3 TO 10.
CAPACITY: 6 USERS MAXIMUM - WEIGHT LIMIT: 110 lbs. (50 kg) PER CHILD**



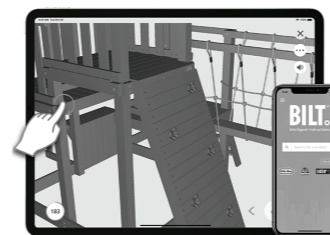
At minimum, two people are required to lift the boxes that contain the parts for this unit and to assemble this unit.



For the latest instruction manual, to register your product, or to order replacement parts, please visit:

www.littletikes.com

Before you begin



3D-GUIDED INTERACTIVE ASSEMBLY INSTRUCTIONS CAN BE FOUND IN BILT®
DOWNLOAD THE **FREE** APP



Please keep this manual as it contains important information.



© The Little Tikes Company, an MGA Entertainment company. LITTLE TIKES® is a trademark of Little Tikes in the U.S. and other countries. All logos, names, characters, likenesses, images, slogans, and packaging appearance are the property of Little Tikes.
Printed in China. • 0821-3-E

Little Tikes Consumer Service
2180 Barlow Road
Hudson, Ohio 44236 U.S.A.
1-800-321-0183





READ THIS ENTIRE MANUAL THOROUGHLY BEFORE ASSEMBLY AND USE.

- To reduce the risk of serious injury or death, you **MUST** read and follow these instructions before assembly and before use. Pay close attention to the important information, warnings and safety information. Keep and refer to these instructions often. Give them to any future owner of this unit.
- The boxes containing the parts for this unit are very heavy. Do not attempt to lift by yourself. To prevent possible injury, at least two people are required to lift these boxes.
- After reviewing the entire manual, decide if you will need professional assistance assembling this unit.
- Before beginning assembly, separate and identify the contents of this unit to ensure you have all parts listed in this manual.
- If you cannot find a part, check the packing materials thoroughly, as loose parts and small pieces may have shifted in transit.
- If any part is missing or damaged, contact Little Tikes Consumer Service: www.littletikes.com or 1-800-321-0183.

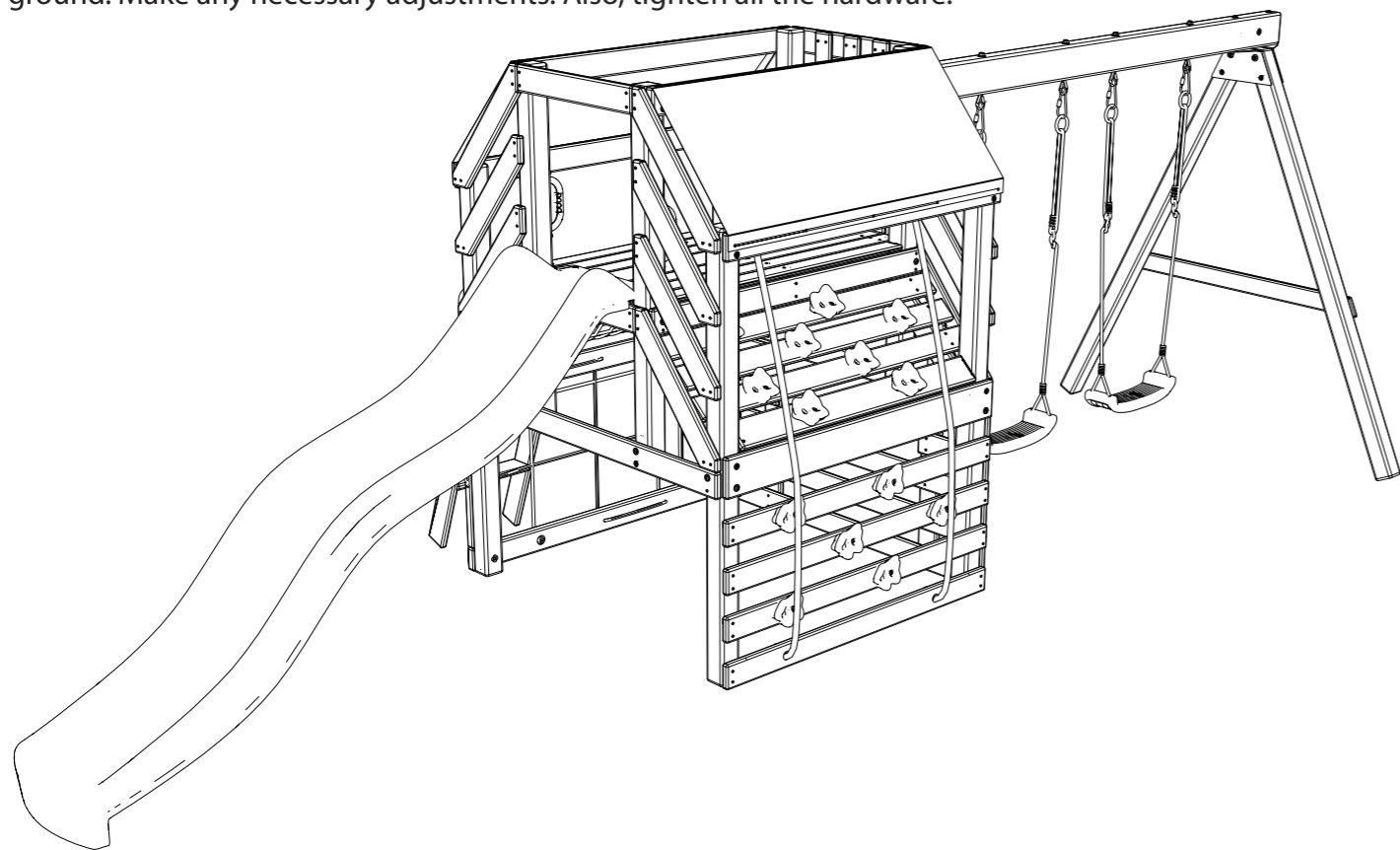
Please retain these instructions for future reference, and take a moment to write down this information for efficient service.

ITEM NUMBER: _____
PURCHASE LOCATION: _____
DATE OF PURCHASE: _____
INSTALLATION DATE: _____
INSTALLED BY: _____

It is recommended you attach your dated sales receipt to this page for future reference.

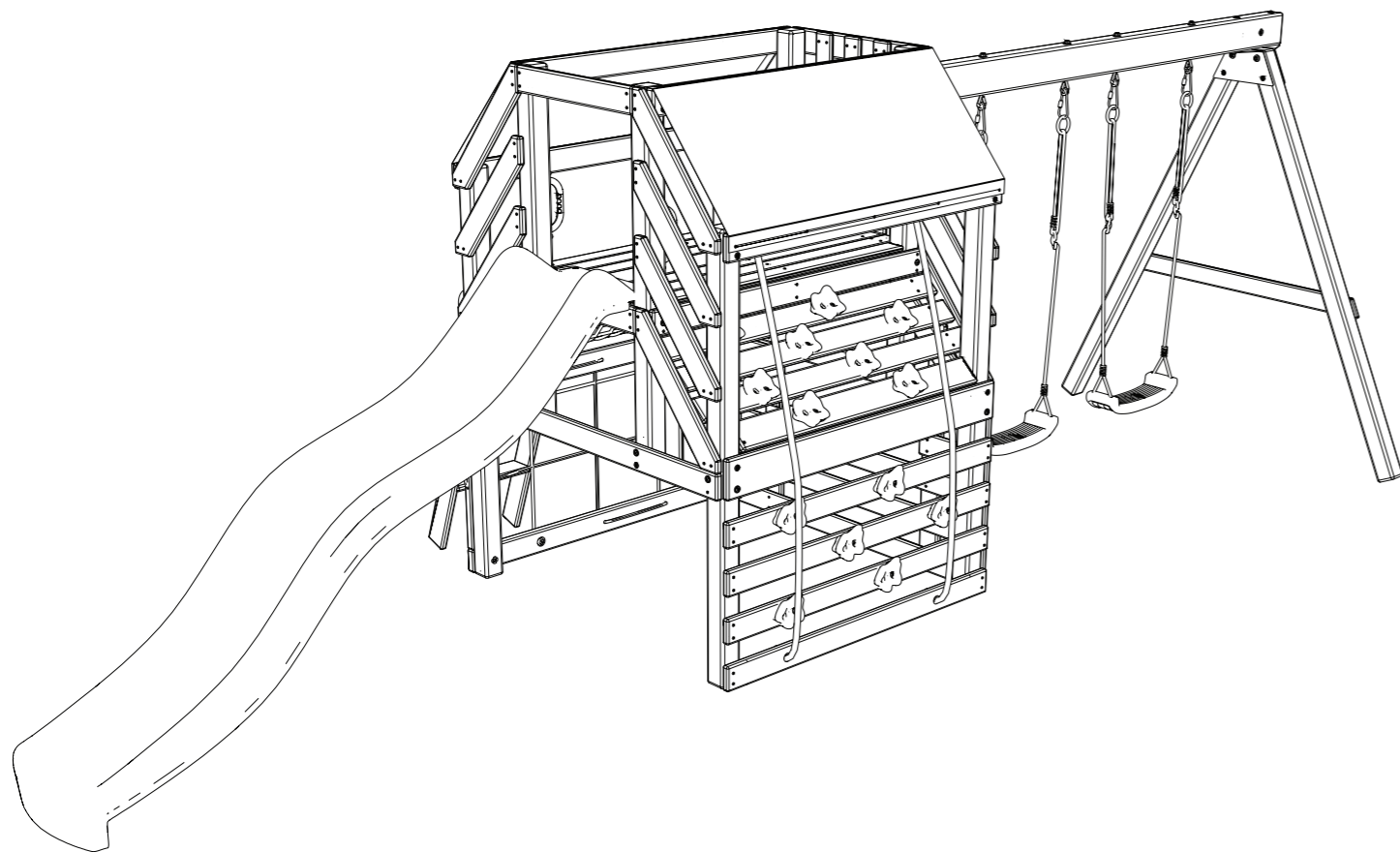
Step 119:

One week later check the Rope length on the Swings to make sure they are 14in (350mm) above the ground. Make any necessary adjustments. Also, tighten all the hardware.



Step 120:

Congratulations, this completes the assembly of the Panther Peak.



IMPORTANT SAFETY INFORMATION

⚠️ **WARNING:**

- To reduce the risk of serious injury or death, you **MUST** read and follow these instructions before assembly and before use.
- CONTINUOUS ADULT SUPERVISION IS REQUIRED.
- This unit is recommended for use by children 3-10 years of age.
- **WARNING: ONLY FOR DOMESTIC USE.**
- **RESIDENTIAL HOME USE ONLY.** This unit is not intended for public use. The manufacturer does not warranty this product if it is used for commercial purposes like daycare, schools, churches, nurseries or parks.
- Children must not use this product prior to complete assembly and inspection by a competent adult. The unit must be fully assembled, properly installed and anchored prior to use.

SERIOUS HEAD INJURY HAZARD:

Installation over concrete, asphalt, dirt, grass, carpet and other hard surfaces creates a risk of serious injury or death from falls to the ground. Install and maintain shock absorbing material under and around this unit as recommended in this manual.

COLLISION HAZARD:

Place this unit on level ground at least 6 ft. (2m) from any obstruction such as a garage or house, fences, poles, trees, sidewalks, walls, landscape timbers, rocks, pavement, planters, garden borders, overhanging branches, laundry lines, and electrical wires.

CHOKING HAZARD/ SHARP EDGES & POINTS:

ADULT ASSEMBLY REQUIRED. This product contains small parts and parts with sharp edges and points. Keep parts away from children until fully assembled.

STRANGULATION HAZARD:

- NEVER allow children to play with ropes, clotheslines, pet leashes, cables, chains, cord-like items, or items with a cord or strap when playing on this unit. DO NOT attach these items or similar items to this unit.
- NEVER allow children to wear loose-fitting clothing, such as, but not limited to: ponchos, hoods, scarves, capes, necklaces, items with draw-strings, cords or ties when playing on this unit. Open-toe/open-heel footwear is not permitted. Children should wear well-fitting clothing and closed-toe shoes.
- NEVER allow children to wear bike or sports helmets when playing on this unit. Instruct them to remove these items before playing on this unit.

TIP OVER HAZARD:

Choose a level surface for this equipment. This can reduce the likelihood of the unit tipping over and loose-fill materials from washing away during heavy rains. Stakes must be installed straight up and not at an angle. Ensure soil conditions are adequate to firmly hold the stakes. DO NOT allow children to play on this unit until assembly is complete and the unit is properly anchored.

WARNING LABEL:

Owners are responsible for maintaining legibility of the warning labels. Please remove the protective film on the signage and logo plate before use.

INSTRUCTIONS FOR SAFE USE

⚠️ **WARNING:**

- User safety is our top concern. Read and understand the following statements and warnings to reduce the likelihood of serious or fatal injury. Review this information with your child and any other users.
1. **ON-SITE, CONTINUOUS ADULT SUPERVISION IS REQUIRED FOR CHILDREN OF ALL AGES.** Most serious injuries and deaths on playground equipment result when children are playing unsupervised. This product meets all applicable safety standards. Complying with all warnings and important information in this manual will reduce the risk of serious or fatal injury to children playing on this unit. Review all warnings and play information regularly with any child using this unit. Ensure children fully understand and follow these instructions.
 2. This unit is designed for a specific number of users whose combined weight should not exceed the capacity limitations of 110 lbs. per child with a maximum of 6 children.
 3. DO NOT walk close to, in front of, behind, or between moving swings or other moving equipment.
 4. DO NOT stand on swings. Only sitting is permitted.
 5. DO NOT twist the chains and ropes of the swings or loop them over the top support bar, as this may reduce the strength of the chain or rope.
 6. DO NOT get off swings or other playground equipment in motion.
 7. DO NOT push empty swing seats to prevent them from swinging back and causing possible injury.
 8. Children should sit with full weight in the center of the swings to prevent erratic swing motions and falling off the swings.
 9. DO NOT allow children to use the equipment in a manner other than intended.
 10. DO NOT slide head first. Always go down the slide feet first.
 11. Look before sliding to ensure no one is at the bottom of the slide.
 12. Never run up a slide, as this increases the chance of falling.
 13. DO NOT climb or use the unit when it is wet. Wipe dry before use.
 14. DO NOT jump from the deck or any part of the unit. Always use ladders and ramps. Standing on or jumping from elevated surfaces can be dangerous.
 15. DO NOT crawl or climb on the roof.
 16. Verify that any suspended climbing rope, chain, or cable is secured at both ends and that it cannot be looped back on itself and create an entanglement hazard.
 17. **MINIMUM CLEARANCE BETWEEN SWINGS AND GROUND:** 14 in. (350 mm).
 18. DO NOT attach items to the unit that are not specifically designed for use with the unit, such as, but not limited to: jump ropes, clotheslines, pet leashes, cables and chains, as they may cause a strangulation hazard.
 19. Any modifications made to this product must be carried out according to these instructions. Installation of included ropes, nets and other attached accessories must be fixed on all ends according to these instructions.
 20. Never add extra length to chain or rope. The chains or ropes provided are the maximum length designed for the swinging elements.
 21. DO NOT wrap legs around the swing chain.
 22. DO NOT slide down the swing chain.
 23. On hot days, check the slide and other plastic components to ensure they are not too hot for use. Cool the hot slide and any plastic rides with water and wipe dry before use.

IMPORTANT SAFETY INFORMATION

RECOMMENDED SURFACING

⚠️ WARNING:

To reduce the likelihood of serious head injuries, install shock-absorbing protective surfacing under and around this unit. The protective surfacing should be applied to a depth suitable for the unit height in accordance with ASTM F1292. Follow the guidelines below for each type of surfacing:

NOTE:

• DO NOT install this unit over concrete, asphalt, packed earth, grass, carpet, or any other hard surface. A fall onto a hard surface can result in serious injury to the user. Grass and dirt are not considered protective surfacing because wear and environmental factors can reduce their shock-absorbing effectiveness. Carpeting and thin mats are not adequate protective surfacing.

*Ground level equipment, such as a sandbox, activity wall, playhouse or other equipment that has no elevated play surface, does not need any protective surfacing.

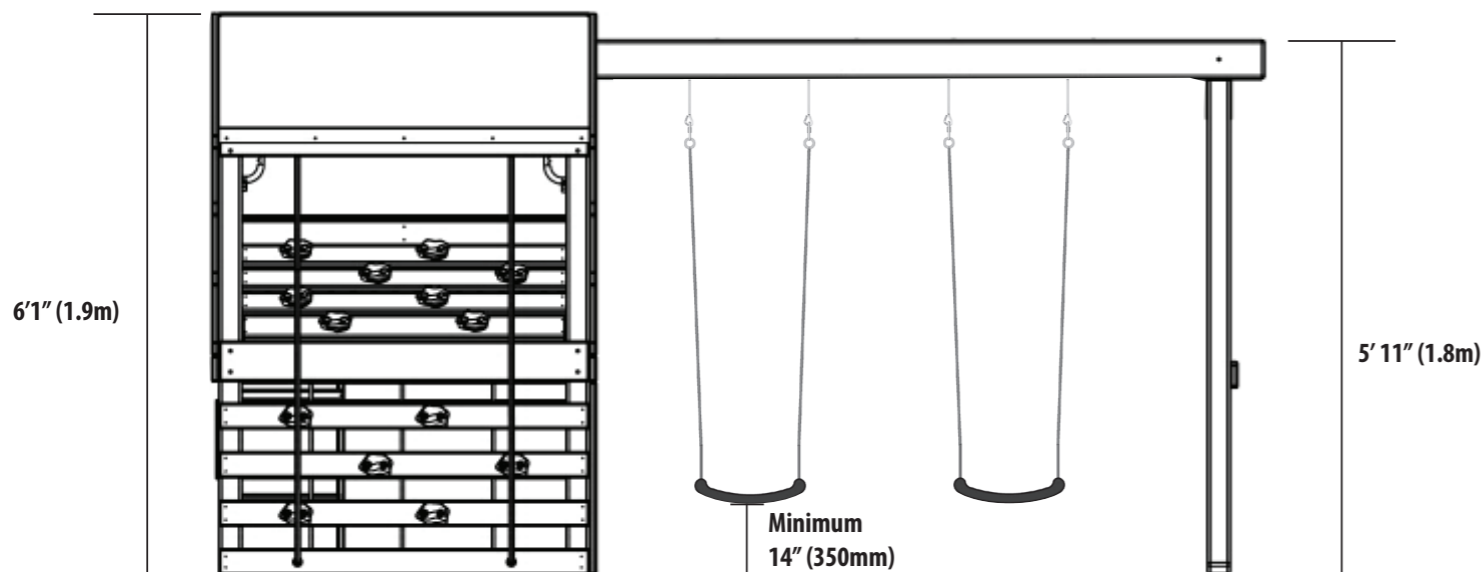
- DO NOT install loose fill surfacing over hard surfaces like concrete or asphalt.
- Shredded bark mulch, wood chips, fine sand and fine gravel are added as shock-absorbing materials after assembly. If used properly, these materials can absorb some of the impact of a child's fall.
- All surface material should extend a minimum of 6 ft. (2m) in all directions around the play area.
- DO NOT apply surfacing materials until after the unit is completely assembled and anchored.

UNIT POSITIONING

- PLEASE REFER TO CRITICAL FALL HEIGHT INFORMATION.
- This unit should be installed on a level surface by an ADULT with an ADULT ASSISTANT. Place the unit on a flat area to minimize ground preparation.
- Choose a level location for this unit to reduce the likelihood of the play set tipping over and loose-fill surfacing material washing away during heavy rains.
- Place this unit no less than 6 feet (2 meters) from any structure or obstruction, such as a fence, garage, house, overhang, branches, laundry lines, or electrical wires.
- Provide enough room so that children may play on this unit safely. For example, for structures with multiple play activities, a slide should not exit in front of a swing.
- Place this unit where adults are easily able to watch children at play.

- Create a play area free of obstacles that could cause injuries - such as low-hanging tree branches, overhead wires, tree stumps or roots, large rocks, bricks, and concrete.
- Do not build this unit on top of surfacing material.
- Locate bare metal platforms and slides out of direct sunlight to reduce the likelihood of serious burns.
TIP: A slide that faces north will receive the least direct sunlight.
- Separate active and quiet activities from each other. For example, place sandboxes away from swings, or use a separation guardrail or barrier.
- For to-fro swings, extend protective surfacing in front of and behind the swing to a distance equal to twice the height of the top of the bar from which the swing is suspended.

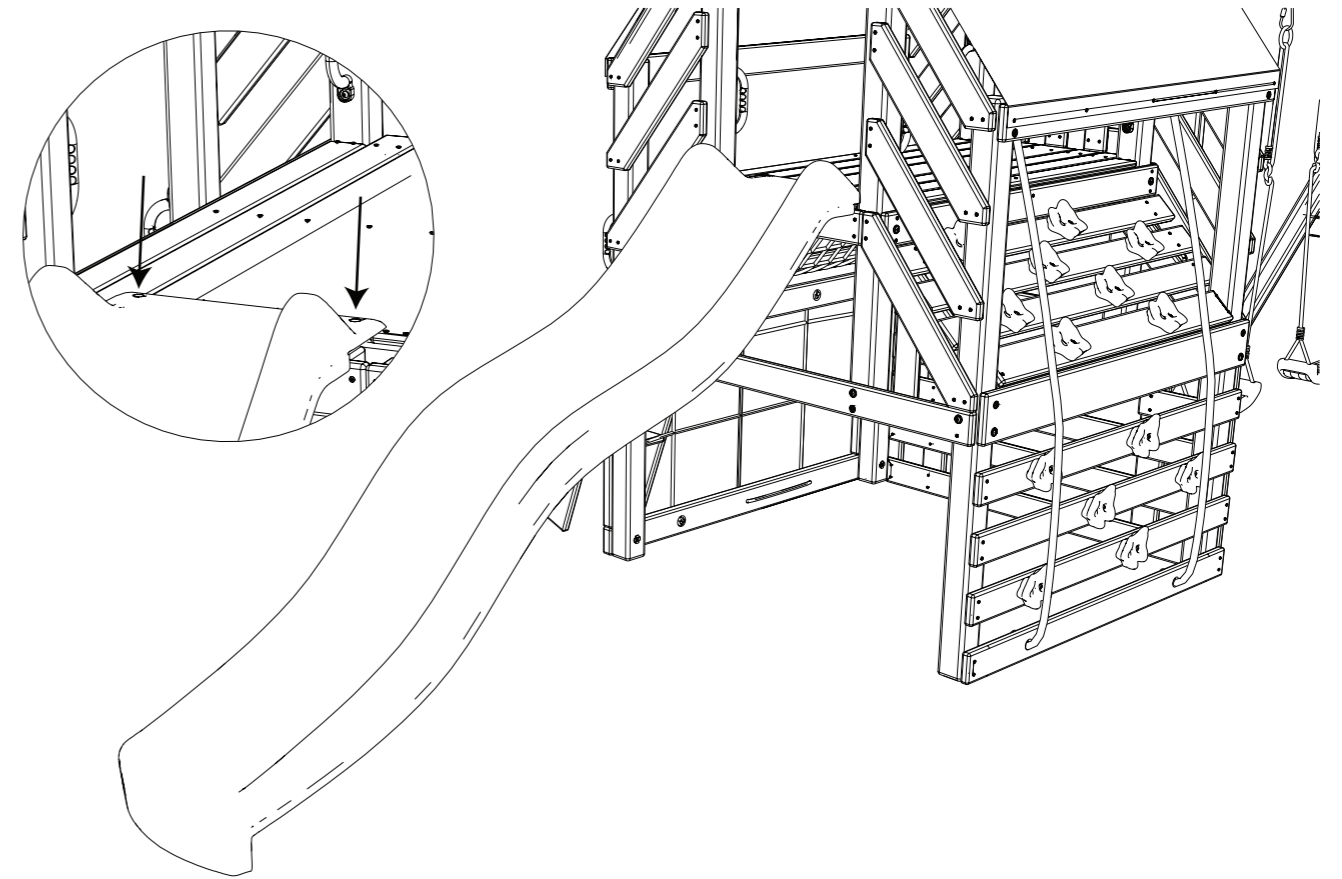
VERTICAL HEIGHT



Step 117:

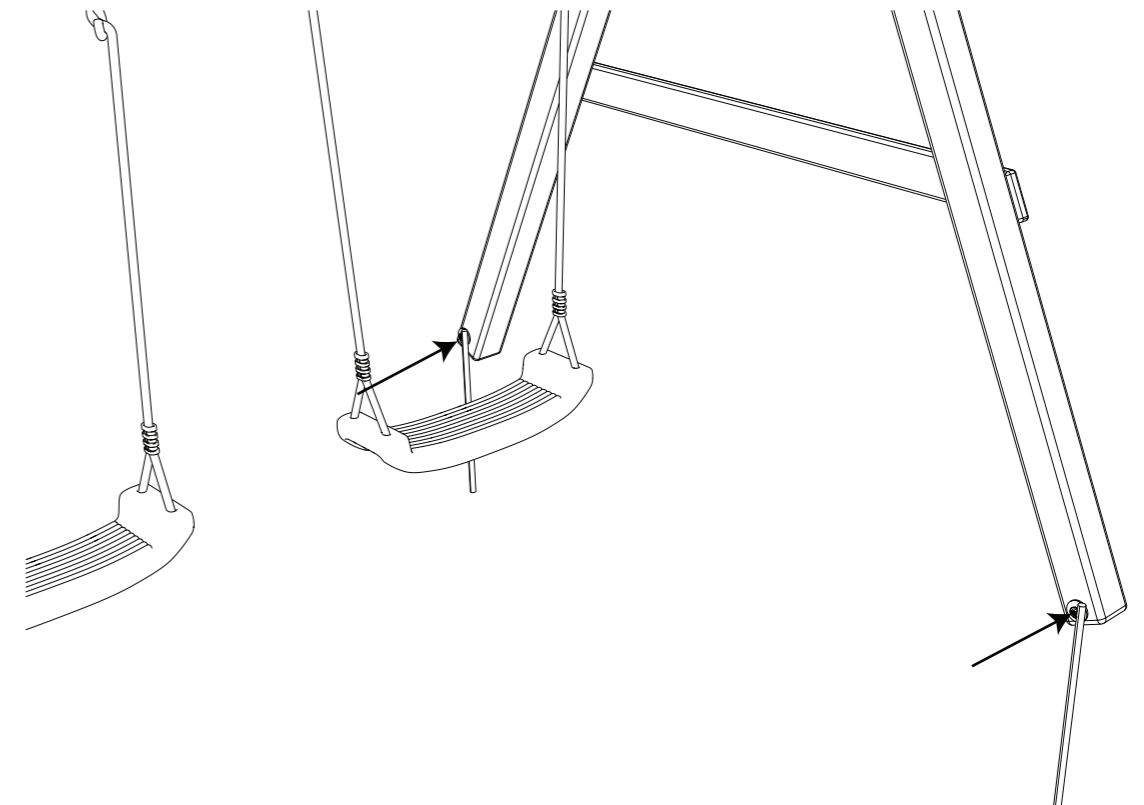
Attach the Slide (PC-SL02) to Floor Support (018) and Slide Brace (017) using (2) Screws (S83).

WARNING: Do not lift the Slide up or pull the Slide aside after assembling.



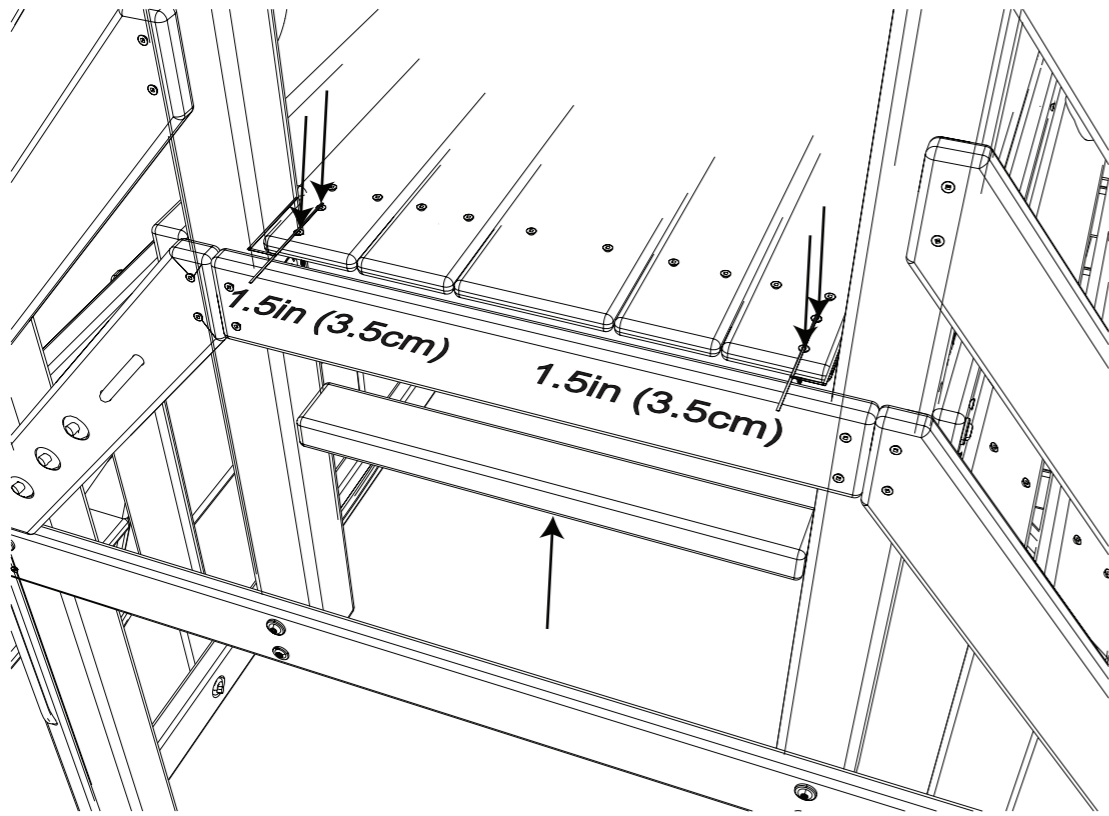
Step 118:

Hammer (2) Ground Stakes (PC-HD23) into the ground next to the Beam Support Braces as shown. Secure the Ground Stakes to the Beam Support Braces using (2) Screws.



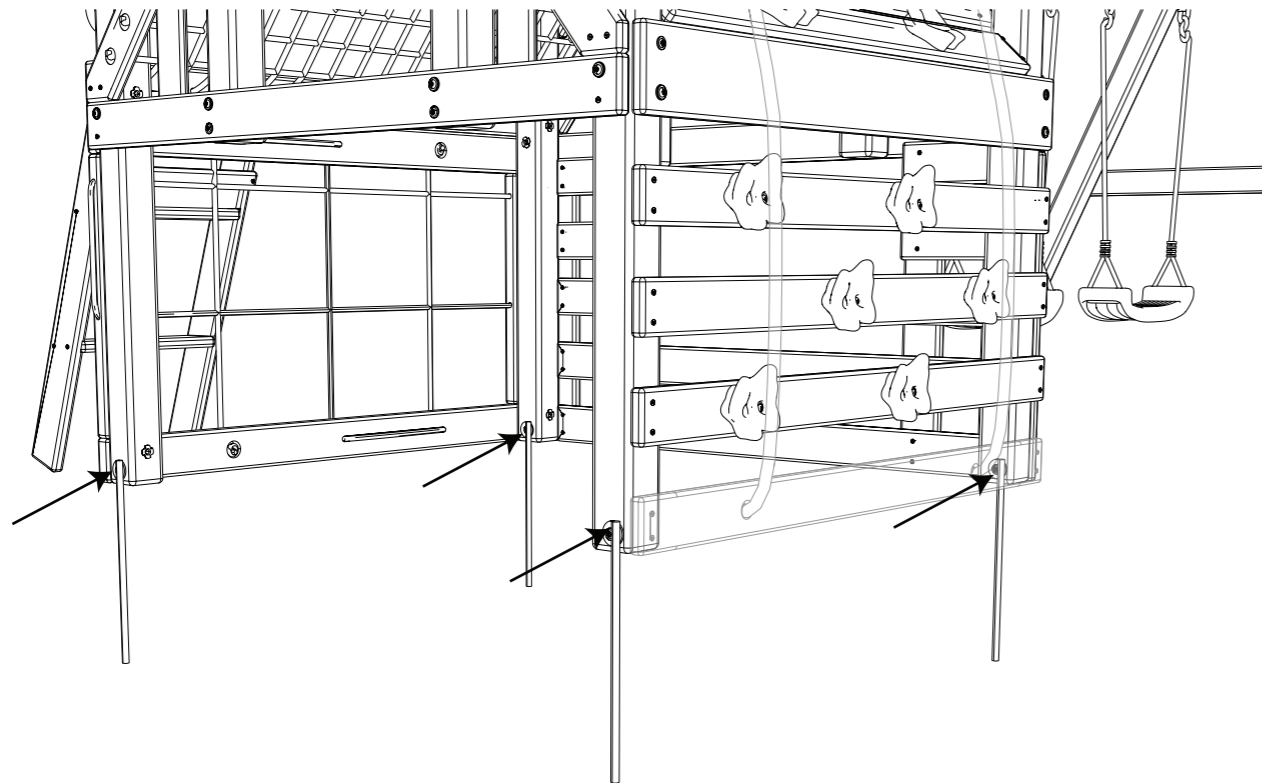
Step 115:

Attach the Slide Brace (017) to the (2) Floorboards (020) using (4) Screws (S92). Ensure that the Screws are placed at least 1.5in (3.5cm) away from the Tower Legs.



Step 116:

Hammer (4) Ground Stakes (PC-HD23) into the ground next to the Tower Legs as shown. Secure the Ground Stakes to the Tower Legs using (4) Screws.



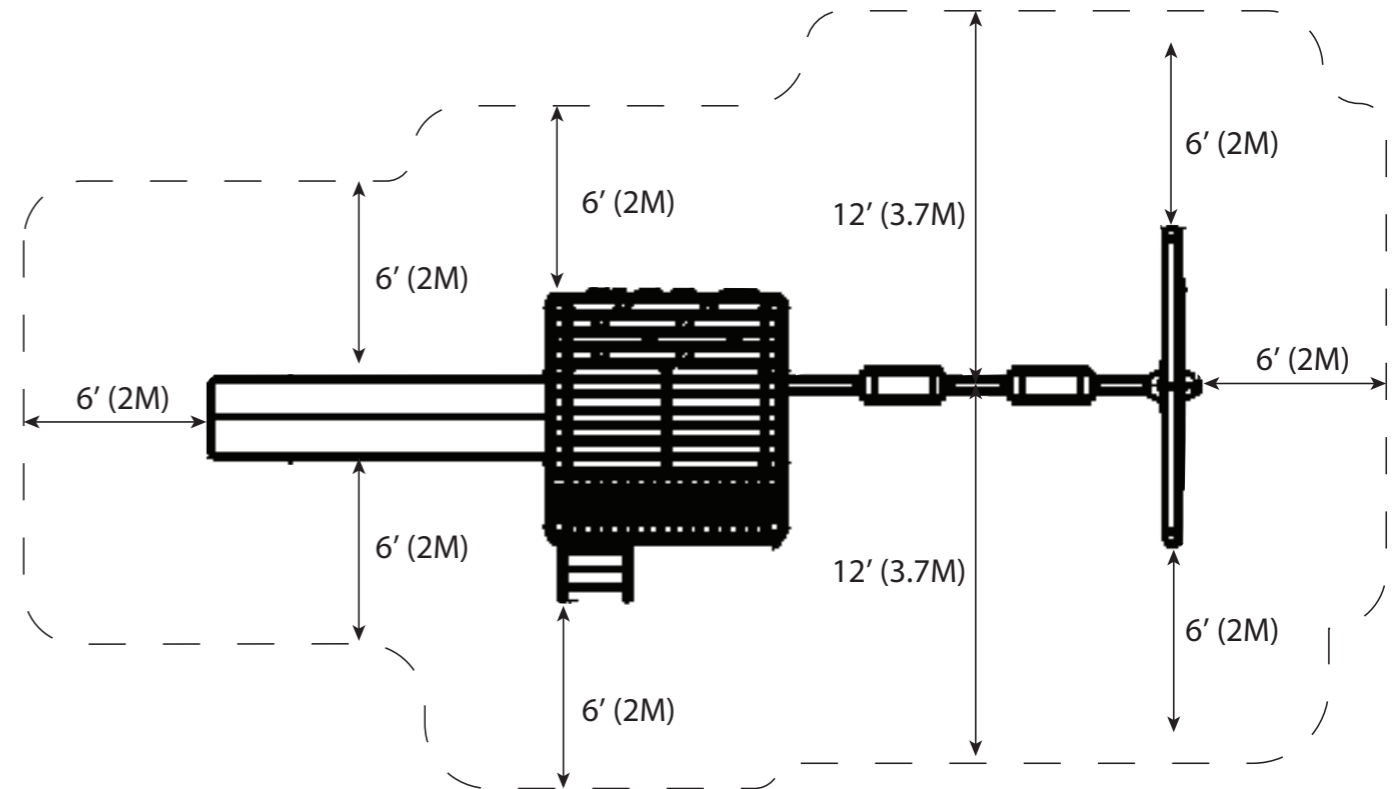
IMPORTANT SAFETY INFORMATION CRITICAL FALL HEIGHT

Maximum critical fall height is 6 feet (2m). The obstacle-free safety zone which requires safety surfacing is a perimeter that extends 6 feet (2 meters) out from the unit and at least 12 feet (3.7 meters) in front and back of to-fro swings.

Material	Uncompressed Depth			Compressed Depth
	6" (152mm)	9" (228mm)	12" (304mm)	to 9" (228mm)
Wood Chips	7' (2.13m)	10' (3.05m)	11' (3.35m)	10' (3.05m)
Double-Shredded Bark Mulch	6' (2m)	10' (3.05m)	11' (3.35m)	7' (2.13m)
Engineered Wood Fibers (EWF)	6' (2m)	7' (2.13m)	> 12' (3.66m)	6' (2m)
Fine Sand	5' (1.52m)	5' (1.52m)	9' (2.74m)	5' (1.52m)
Coarse Sand	5' (1.52m)	5' (1.52m)	6' (2m)	4' (1.22m)
Fine Gravel	5' (1.52m)	7' (2.13m)	10' (3.05m)	6' (2m)
Medium Gravel	5' (1.52m)	5' (1.52m)	6' (2m)	5' (1.52m)
Shredded Tires*	10-12' (3.0-3.6m)	N/A	N/A	N/A

* This data is from tests conducted by independent testing laboratories on a 6-inch depth of uncompressed shredded tire samples produced by four manufacturers. The tests reported critical heights, which varied from 10 feet to greater than 12 feet. It is recommended that persons seeking to install shredded tires as a protective surface request test data from the supplier showing the critical height of the material when it was tested in accordance with ASTM F1292.

SAFETY SURFACING REQUIREMENTS



INFORMATION ON PLAYGROUND SURFACING MATERIALS

The following information is from the United States Consumer Product Safety Commission's Information Sheet for playground surfacing material. Additional information can be found here: <https://www.cpsc.gov/s3fs-public/324.pdf>

SECTION 4 OF THE CONSUMER PRODUCT SAFETY COMMISSION'S OUTDOOR HOME PLAYGROUND SAFETY HANDBOOK⁹

Select Protective Surfacing

One of the most important things you can do to reduce the likelihood of serious head injuries is to install shock-absorbing protective surfacing under and around your play equipment. The protective surfacing should be applied to a depth that is suitable for the equipment height in accordance with ASTM F 1292. There are different types of surfacing to choose from; whichever product you select, follow these guidelines:

NOTE: Do not install home playground equipment over concrete, asphalt, or any other hard surface. A fall onto a hard surface can result in serious injury to the equipment user. Grass and dirt are not considered protective surfacing because wear and environmental factors can reduce their shock absorbing effectiveness. Carpeting and thin mats are generally not adequate protective surfacing. Ground level equipment such as a sandbox, activity wall, playhouse or other equipment that has no elevated play surface – does not need any protective surfacing.

Loose-Fill Materials:

- Maintain a minimum depth of 9 inches of loose-fill materials such as wood mulch/chips, engineered wood fiber (EWF), or shredded/recycled rubber mulch for equipment up to 8 feet high; and 9 inches of sand or pea gravel for equipment up to 5 feet high. **NOTE:** An initial fill level of 12 inches will compress to about a 9-inch depth of surfacing overtime. The surfacing will also compact, displace, and settle, and should be periodically refilled to maintain at least a 9-inch depth.
- Use a minimum of 6 inches of protective surfacing for play equipment less than 4 feet in height. If maintained properly, this should be adequate. (At depths less than 6 inches, the protective material is too easily displaced or compacted.)
- Use containment, such as digging out around the perimeter and/or lining the perimeter with landscape edging. Don't forget to account for water drainage.
- Check and maintain the depth of the loose-fill surfacing material. To maintain the right amount of loose-fill materials, mark the correct level on play equipment support posts. That way you can easily see when to replenish and/or redistribute the surfacing.
- **Do not** install loose-fill surfacing over hard surfaces such as concrete or asphalt.

Poured-In-Place Surfaces or Pre-Manufactured Rubber Tiles

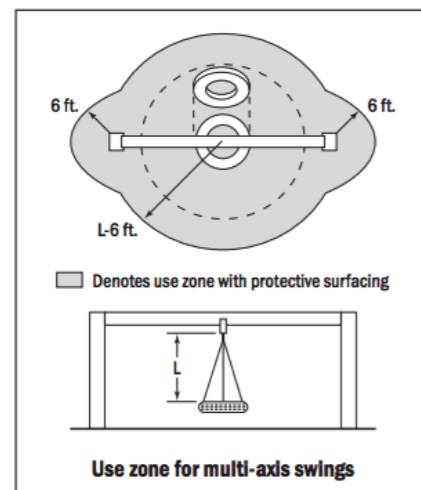
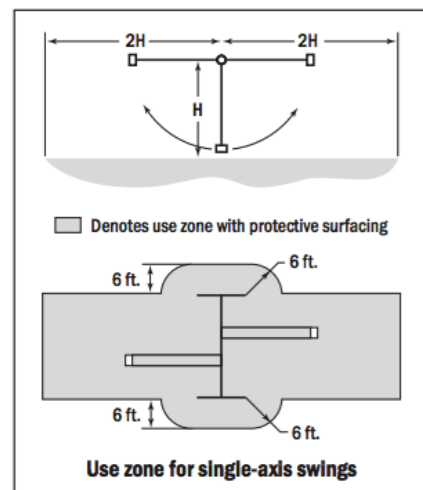
You may be interested in using surfacing other than loose-fill materials – like rubber tiles or poured-in-place surfaces.

- Installations of these surfaces generally require a professional and are not “do-it-yourself” projects.
- Review surface specification before purchasing this type of surfacing. Ask the installer/manufacturer for a report showing that the product has been tested to the following safety standard: ASTM F 1292 *Standard Specification for Impact Attenuation of Surfacing Materials within the Use Zone of Playground Equipment*. This report should show the specific height for which the surface is intended to protect against serious head injury. This height should be equal to or greater than the *fall height* – vertical distance between a designated play surface (*elevated surface for standing, sitting, or climbing*) and the protective surfacing below – of your play equipment.
- Check the protective surfacing frequently for wear.

Placement:

Proper placement and maintenance of protective surfacing is essential. Be sure to:

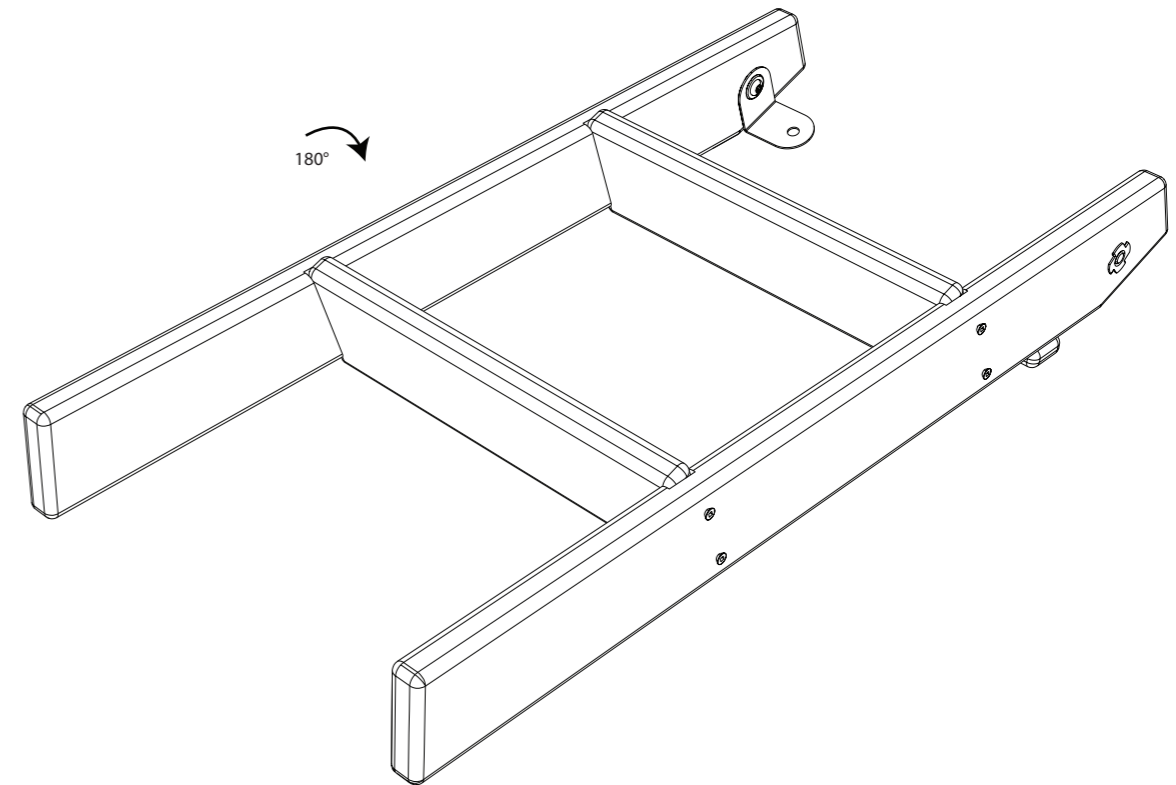
- Extend surfacing at least 6 feet from the equipment in all directions.
- For to-fro swings, extend protective surfacing in front of and behind the swing to a distance equal to twice the height of the top bar from which the swing is suspended.
- For tire swings, extend surfacing in a circle whose radius is equal to the height of the suspending chain or rope, plus 6 feet in all directions.



⁹This information has been extracted from the CPSC publications “Playground Surfacing — Technical Information Guide” and “Handbook for Public Playground Safety.” Copies of these reports can be obtained by sending a postcard to the: Office of Public Affairs, U.S. Consumer Product Safety Commission, Washington, D.C., 20207 or call the toll-free hotline: 1-800-638-2772. The American Society for Testing and Materials takes no position respecting the validity of any patent right asserted in connection with any item mentioned in this standard. Users of this standard are expressly advised that determination of the validity of any such patent rights, and the risk of infringement of such rights, are entirely their own responsibility. The standard is subject to revision at any time by the responsible technical committee and must be reviewed every five years and if not revised, either approved or withdrawn. Your comments are invited either for revision of this standard or for additional standards and should be addressed to ASTM Headquarters. Your comments will receive careful consideration at a meeting of the responsible technical committee, which you may attend. If you feel that your comments have not received a fair hearing you should make your views known to the ASTM Committee on Standards, 100 Barr Harbor Drive, West Conshohocken, PA 19428.

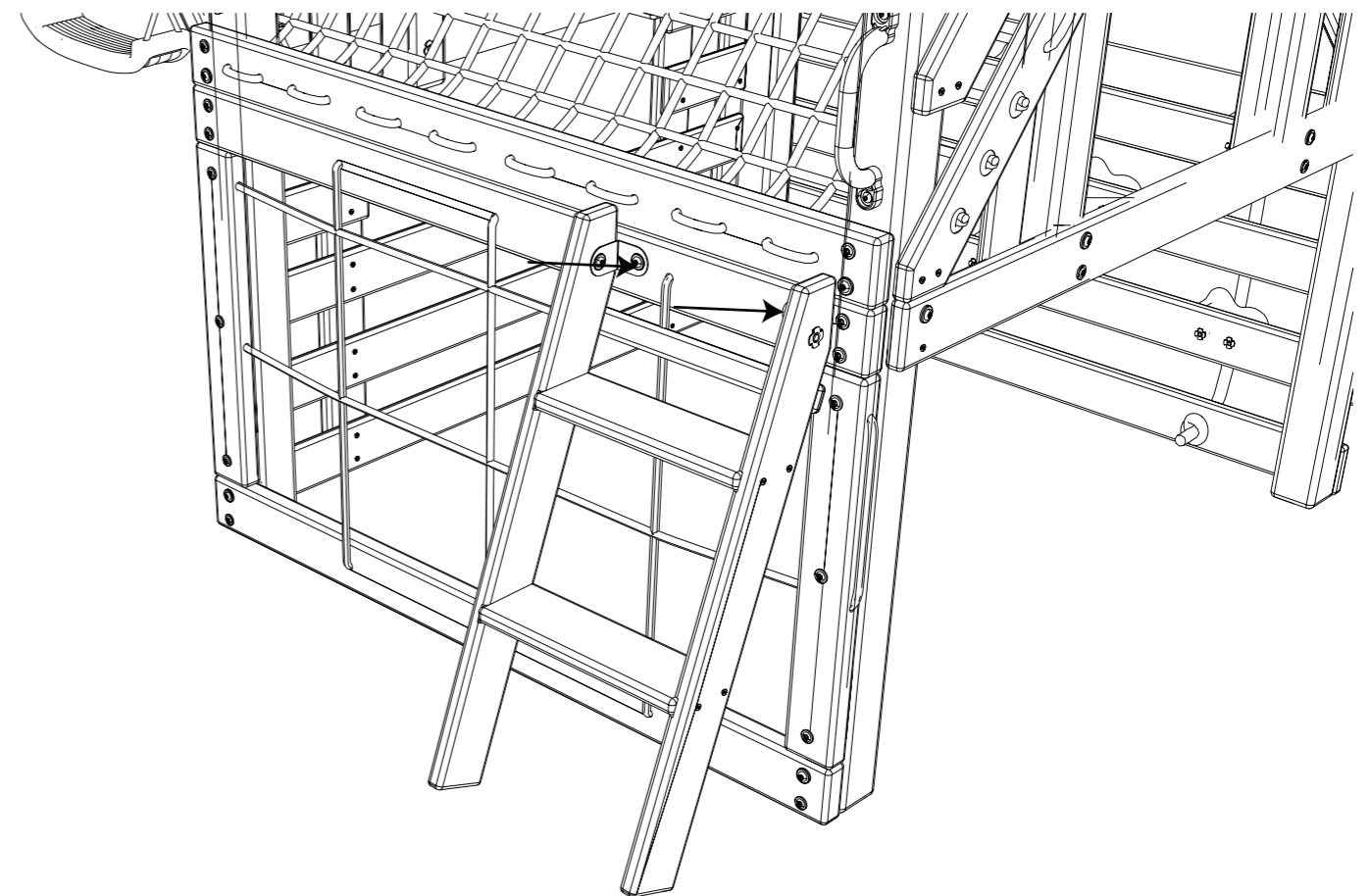
Step 113:

Carefully turn the Ladder over so the Rear Board is on the ground.



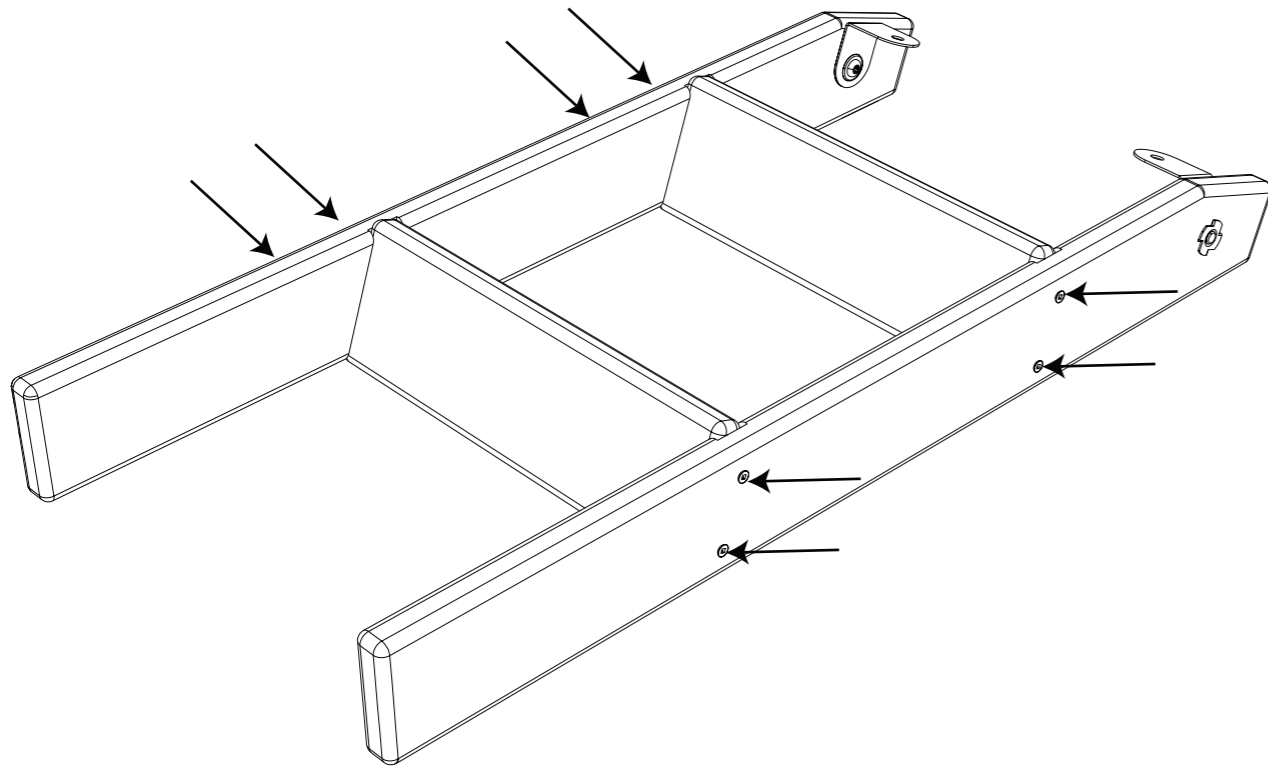
Step 114:

Align and attach the Ladder to the Lower Cargo Net Frame using (2) Bolts (B160).



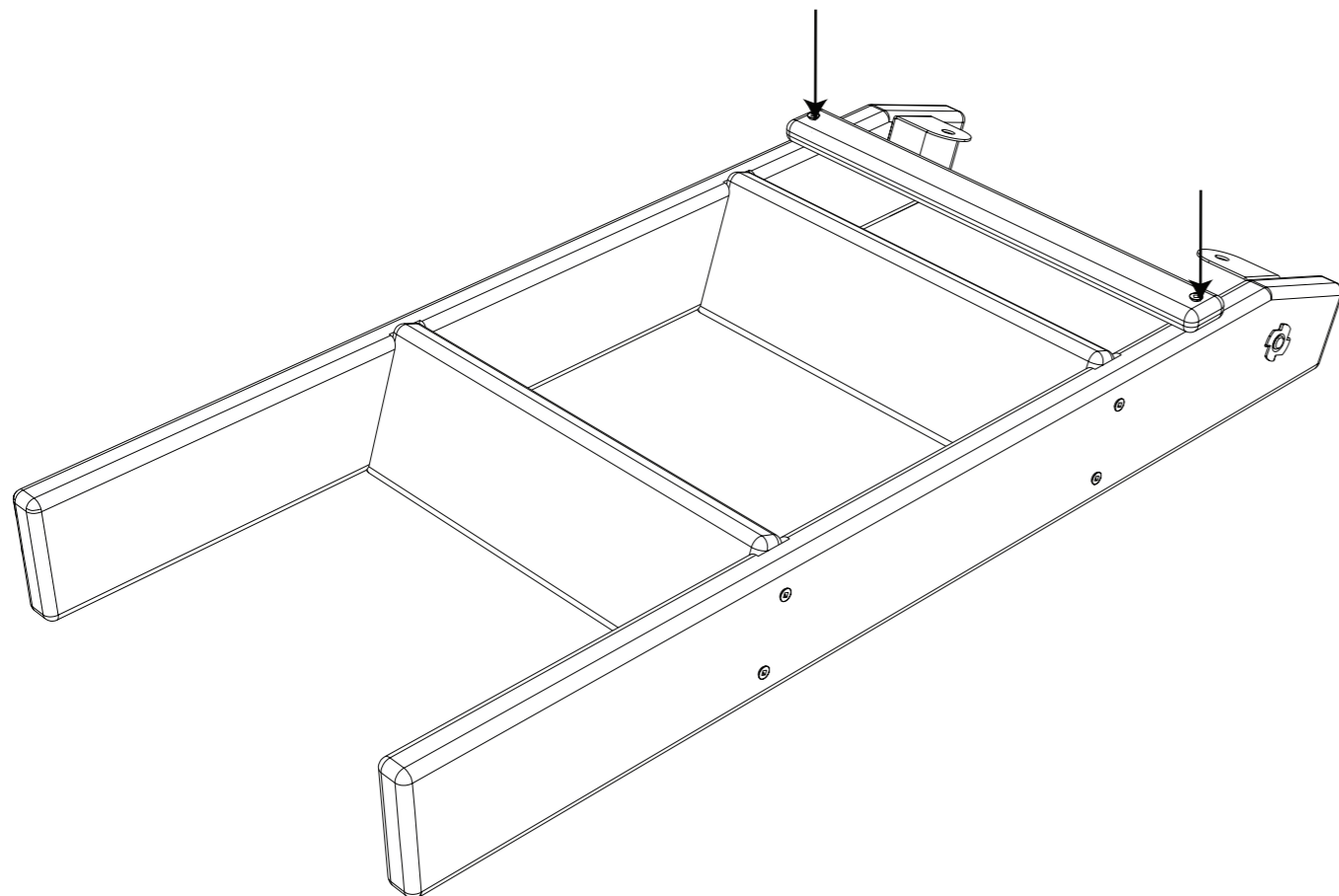
Step 111:

Align the Left and Right Uprights. Note the location of the angled edges. Insert (2) Ladder Rungs (029) into the grooves of the Left and Right Uprights. Attach the Ladder Rungs using (8) Screws (S92).



Step 112:

Attach (1) Rear Board (031) to the Uprights using (2) Screws (S95).



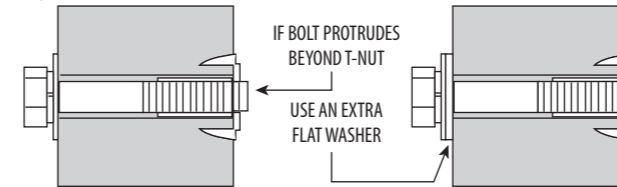
IMPORTANT SAFETY INFORMATION

ONLY REPLACE DAMAGED OR DEFECTIVE PRODUCT PARTS ACCORDING TO THE MANUFACTURER'S INSTRUCTIONS.

MAINTENANCE

At the beginning of each play season:

- Tighten all hardware, but do not over-tighten to prevent splintering.
- Lubricate all metallic moving parts per manufacturer's instructions.
- Check that swing hanger bolts are secure and tight. Quick clips should be completely closed and threaded clips screwed tight. Ropes should be secure at both ends so they cannot loop back and create an entrapment.
- Check all protective coverings on bolts, pipes, edges and corners. Replace if they are loose, cracked or missing.
- Check for sharp edges or protruding screw threads. Add washers if required.



- Check ground stakes for looseness, damage or deterioration. Ensure soil conditions are adequate to firmly hold the stakes. Firmly anchor unit to the ground during use. Re-secure or replace if necessary.
- Check all moving parts including swing seats, ropes, cables, and chains for wear, rust or other deterioration. Replace as needed.
- Check metal parts for rust. If found, sand and repaint using a non-lead based paint which complies with 16 CFR 1303.
- Check all wood pieces for deterioration and splinters. Sand down splinters and replace deteriorating wood.
- Reinstall any plastic parts, such as swing seats or any other items that were removed for the cold season.
- Rake and check depth of loose fill protective surfacing materials to prevent compaction and to maintain appropriate depth. Replace as necessary.

At the end of each play season:

* Or when the temperature falls below 32° F

- Remove plastic swing seats and other items as specified by the manufacturer and take indoors. Plastic components may become more brittle in cold conditions.
- Rake and check depth of loose fill protective surfacing materials to prevent compaction and to maintain appropriate depth. Replace as necessary.

Owners MUST maintain the legibility of the warning labels.

THIRD PARTY ASSEMBLY

Should you elect to use a third party person or service to assemble this product, the manufacturer assumes no responsibility or liability for any charge incurred for any assembly services. Please see our warranty for more information about damaged and missing part replacement coverage. Little Tikes will not reimburse the customer for the price of parts purchased.

WOOD WEATHERING

Although the manufacturer has taken great care in selecting premium lumber, wood is a product of nature and is susceptible to weathering. As the climate changes, moisture moves in and out of the wood, causing tension which can result in checking and warping.

- Checking: Surface cracks in the wood along the grain.
- Warping: Distortion from the original plane of the board. This usually happens from wetting and drying of the wood.
- Fading: A natural change in the wood color as it is exposed to sunlight. Wood may turn gray over time.

The factory-applied coating will decrease over time due to water absorption and sunlight. Apply a water repellent or stain on a yearly basis. Most weathering is a normal result of nature and will not affect safe and enjoyable play on this unit. If you have any concerns about weathering, contact consumer service.

Twice a month during play season:

- Tighten all hardware, but do not over-tighten to prevent splintering.
- Check all protective coverings on bolts, pipes, edges and corners. Replace if they are loose, cracked or missing. Check bolt covers for sharp edges. Replace as needed.
- Check for sharp edges or protruding screw threads. Add washers if required.
- Rake and check depth of loose fill protective surfacing materials to prevent compaction and to maintain appropriate depth. Replace as necessary.
- Check all moving parts including swing seats, ropes, cables, and chains for wear, rust or other deterioration. Replace as needed.
- Lubricate all metallic moving parts per manufacturer's instructions.

Additional Maintenance:

- Check the swing beam and hardware every two weeks due to wood expansion and contraction. It is particularly important that this procedure be followed at the beginning of each season.
- Inspect wood parts monthly. The grain of the wood sometimes will lift in the dry season causing splinters to appear. Light sanding may be necessary to maintain a safe play environment. Treat your unit with stain regularly to help prevent severe splitting and other damage.
- A waterborne transparent stain has been applied to your unit. This is done for color only. Once or twice a year, depending on your climate conditions, you must apply some protection (sealant) on your unit. Prior to the application of the sealant, lightly sand any rough spots on your unit. **Please note this is a requirement of your warranty.**
- Assembling and maintaining the unit on a level surface is very important. As your children play, your unit will slowly dig its way into the soil, and it is very important that it settles evenly. Make sure the unit is level once each year or at the beginning of each play season.

DISPOSAL



Once you no longer desire to play with or keep the unit, it should be disassembled and disposed of in such a way that no unreasonable hazards exist at the time the unit is discarded. Follow local waste ordinances.

LIMITED WARRANTY

The Little Tikes Company makes fun, high quality toys. We warrant to the original purchaser that this product is free of defects in materials or workmanship for one year from the date of purchase (dated sales receipt is required for proof of purchase). In addition, all wood carries a pro-rated 5 year warranty against rot and decay. Please contact consumer service for any charges associated with replacement parts under this warranty. All other parts, such as hardware, swings, rides, accessories, and slides carry a one year warranty. The Little Tikes Company will replace any parts within the first 90 days from the date of purchase if they are found to be missing from the original packaging or damaged upon receipt.

This warranty applies to the original owner and registrant and is non-transferable. Regular maintenance is required to assure maximum life and performance of this product, and failure by the owner to maintain the product according to the maintenance requirements may void this warranty. Maintenance guidelines are provided in this manual.

This limited warranty does not cover:

- Labor for any inspection
- Labor for replacement of any defective item(s)
- Incidental or consequential damage
- Cosmetic defects which do not affect performance or integrity of a part or the entire product
- Vandalism, improper use, failure due to loading or use beyond the capacities stated in this manual
- Acts of nature including but not limited to wind, storms, hail, floods or excessive water exposure
- Improper installation including but not limited to installation on uneven, unlevel or soft ground
- Minor twisting, warping, checking or any other natural occurring properties of wood that do not affect performance or integrity

This warranty is valid only if the product has been assembled and maintained per the instructions. Any modifications made to the original product could damage the structural integrity of the unit, leading to failure and possible injury. Making modifications to this unit voids the warranty. The Little Tikes Company disclaims all other representations and warranties of any kind, express or implied.

RESIDENTIAL HOME USE ONLY. This unit is not intended for public use. The manufacturer does not warranty this product if it is used for commercial purposes like daycare, schools, churches, nurseries or parks.

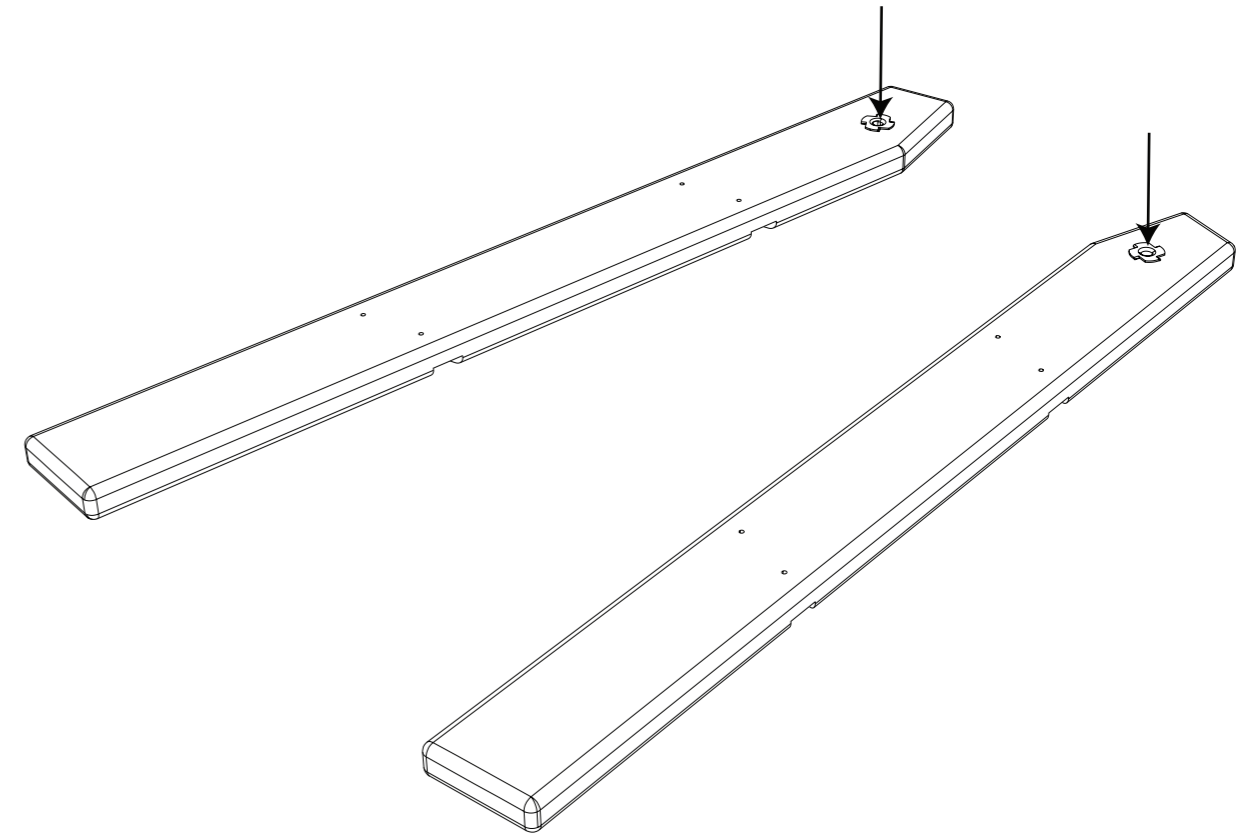
U.S.A and Canada: For warranty service or replacement part information, please visit our website at www.littletikes.com, call 1-800-321-0183 or write to: Consumer Service, The Little Tikes Company, 2180 Barlow Road, Hudson OH 44236, U.S.A. Some replacement parts may be available for purchase after warranty expires—contact us for details.

Outside U.S.A and Canada: Contact place of purchase for warranty service.

This warranty gives you specific legal rights, and you may also have other rights, which vary from country/state to country/state. Some countries/states do not allow the exclusion or limitation of incidental or consequential damages, so the above limitation or exclusion may not apply to you.

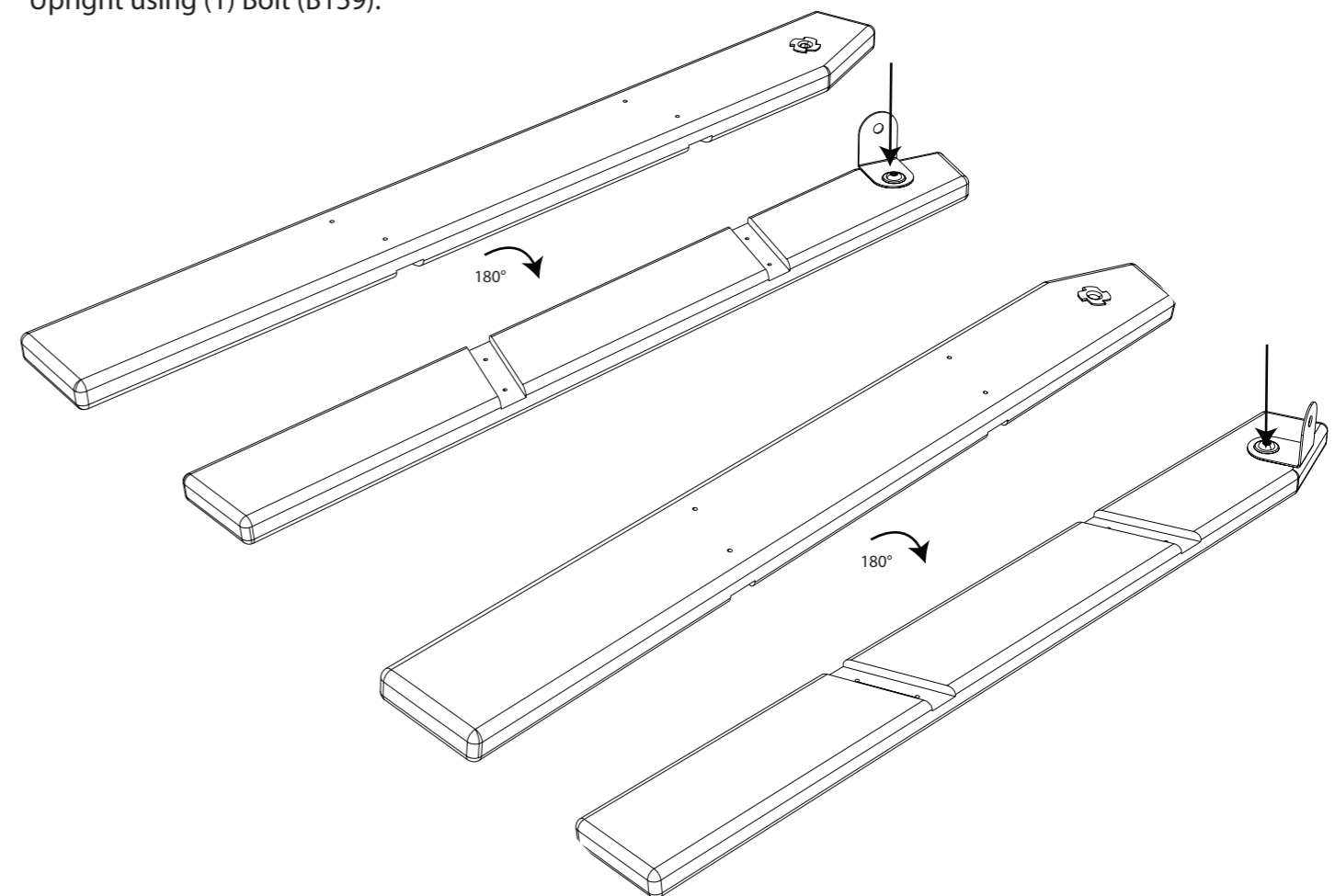
Step 109:

Insert (1) Nut (N02) into (1) Right Upright (030) and (1) Left Upright (028).



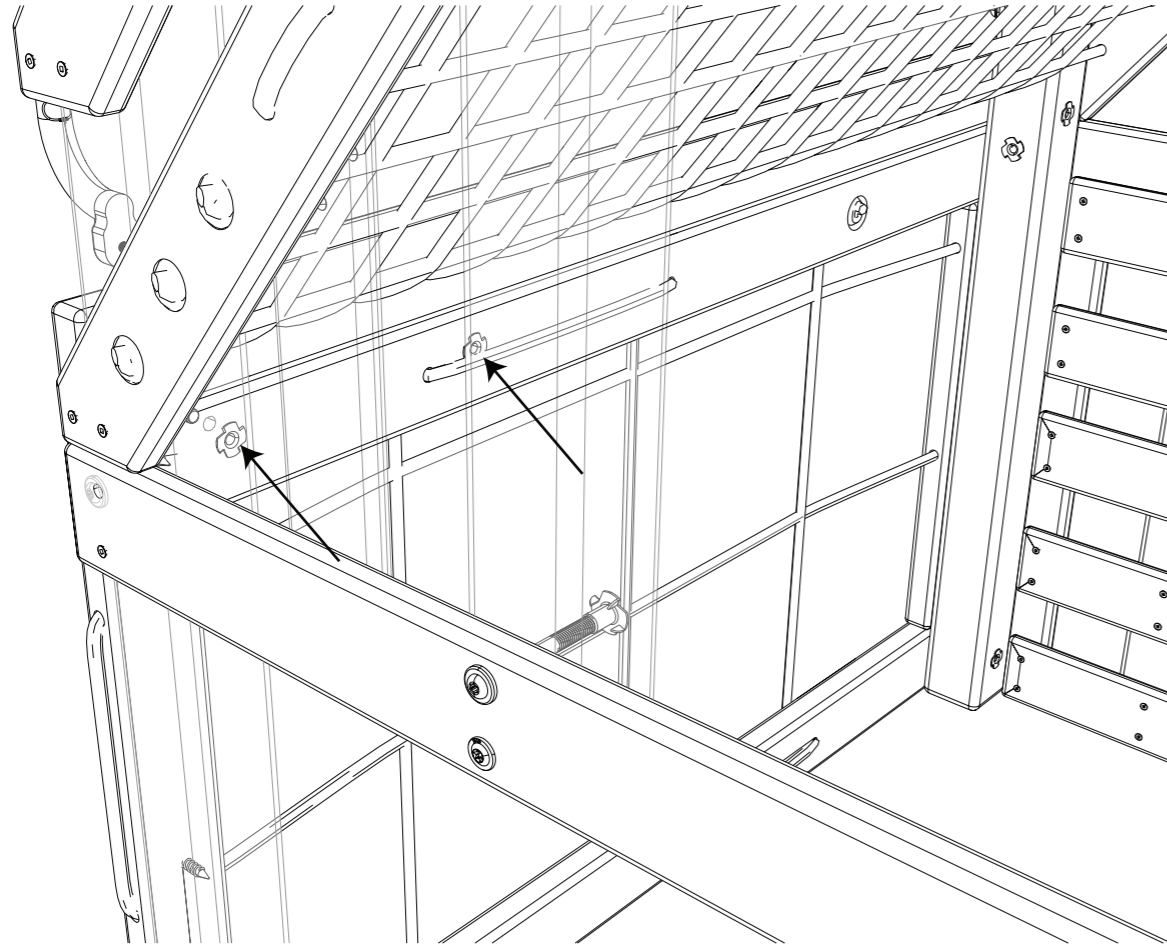
Step 110:

Rotate the Left and Right Uprights so each Nut is on the ground. Attach (1) Bracket (PC-HD27) to each Upright using (1) Bolt (B159).



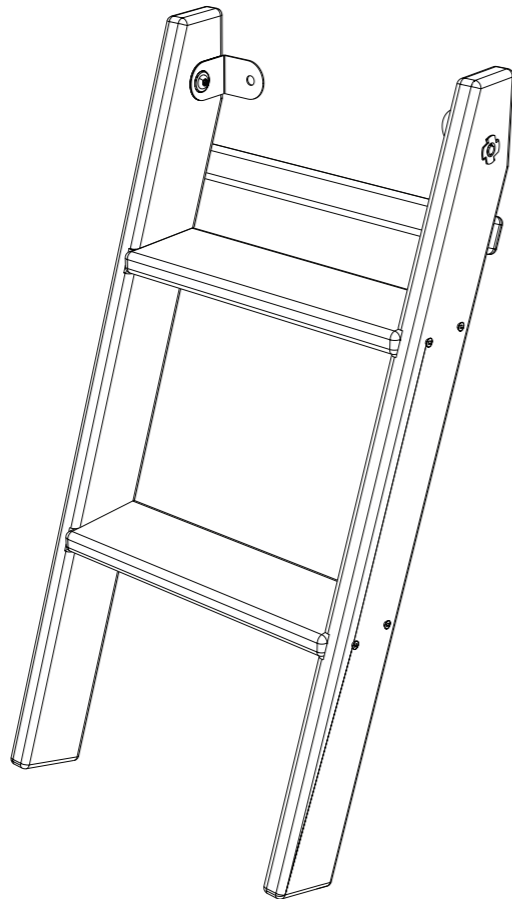
Step 107:

Insert (2) Nuts (N02) into the Lower Cargo Net Frame.



Step 108:

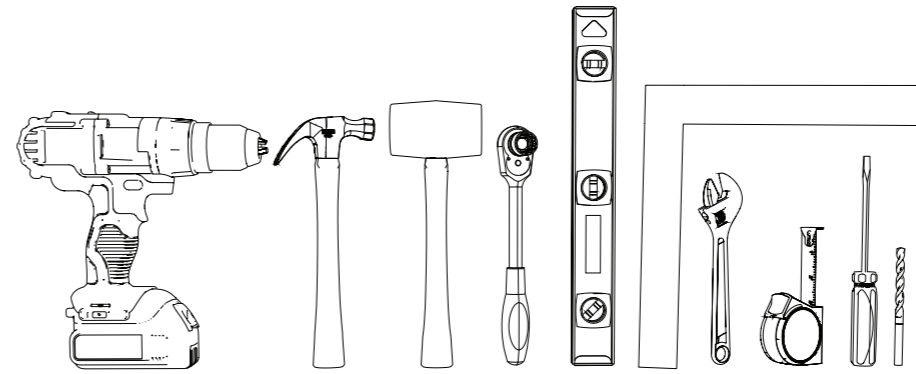
The following steps will guide you through the Ladder Assembly.



TOOLS

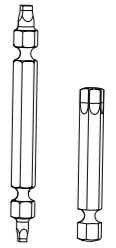
TOOLS YOU WILL NEED (NOT INCLUDED)

To complete this procedure, you will need a Power Drill, a Hammer, a Rubber Mallet, a Metric Socket Wrench Set, a Level, a Square, an Adjustable Wrench, a Tape Measure and a Ladder (not pictured). Optionally, you may need a Flathead Screwdriver and a 3/16in Drill Bit.



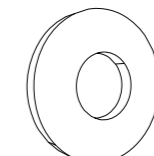
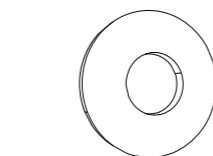
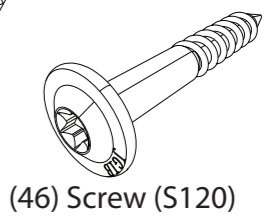
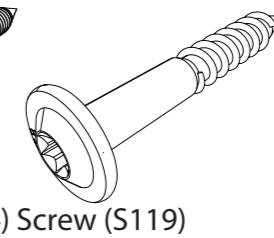
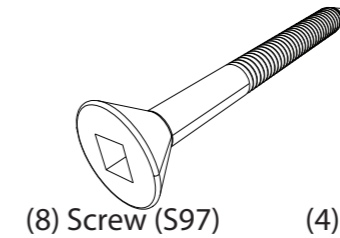
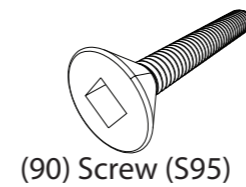
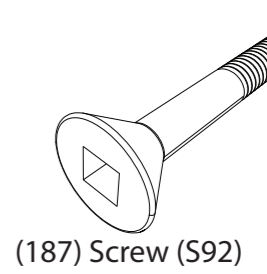
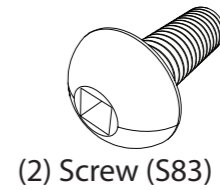
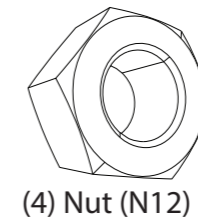
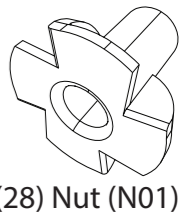
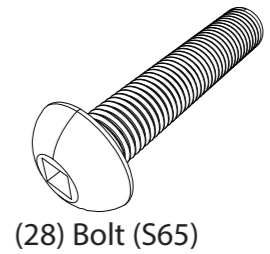
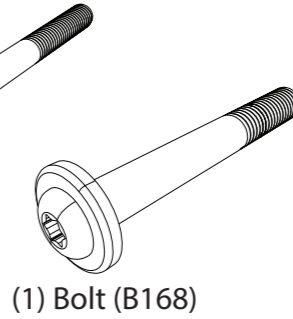
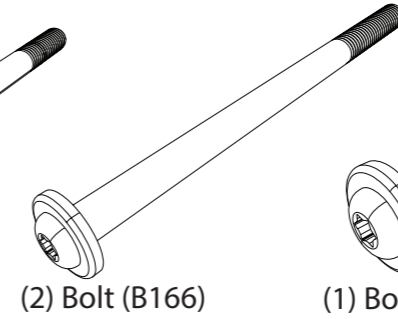
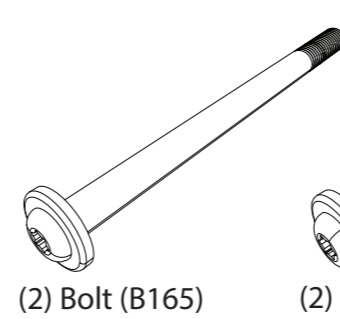
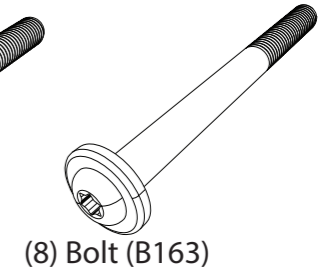
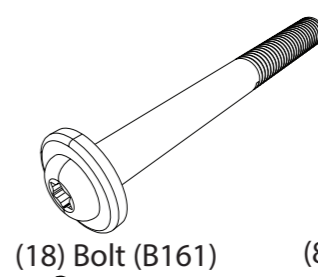
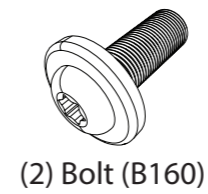
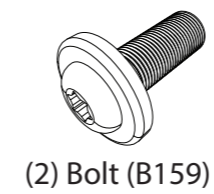
INCLUDED TOOLS

Double Square Bit (MSC01), Torx Bit (MSC02)

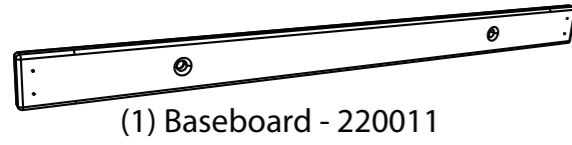


HARDWARE

Hardware listed is the quantity needed to build the unit. Extra hardware is included.



PARTS LIST



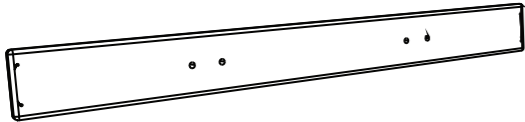
(1) Baseboard - 220011



(2) Beam Support Brace - 220027



(2) Brace - 220033



(1) Climbing Wall Board - 220034



(3) Climbing Wall Board - 220035



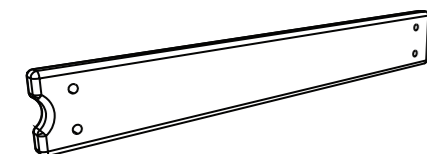
(3) Climbing Wall Board - 220038



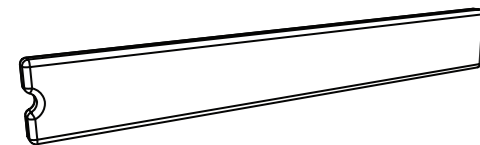
(1) End Support - 220026



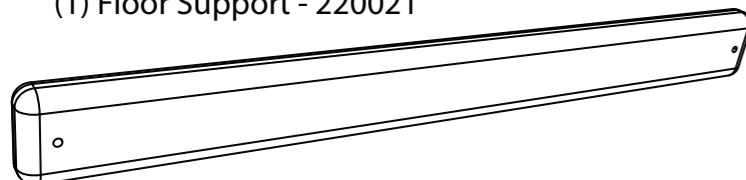
(1) Floor Rail - 220036



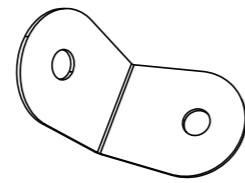
(2) Floor Support - 220018



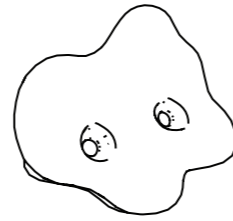
(1) Floor Support - 220021



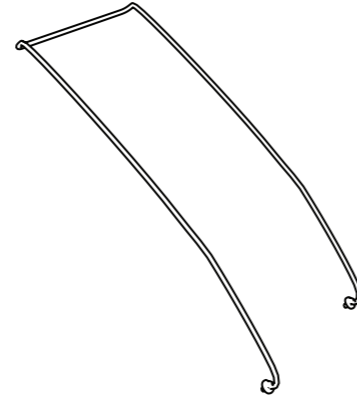
(1) Rear Board - 220031



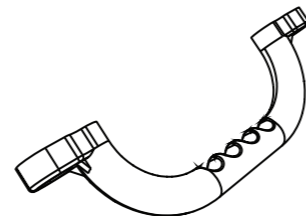
(2) Bracket - PC-HD27



(14) Climbing Rock - PC-AC15



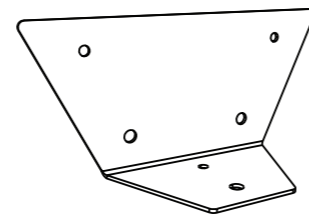
(1) Climbing Rope - PC-AC39



(6) Handle - PC-AC17



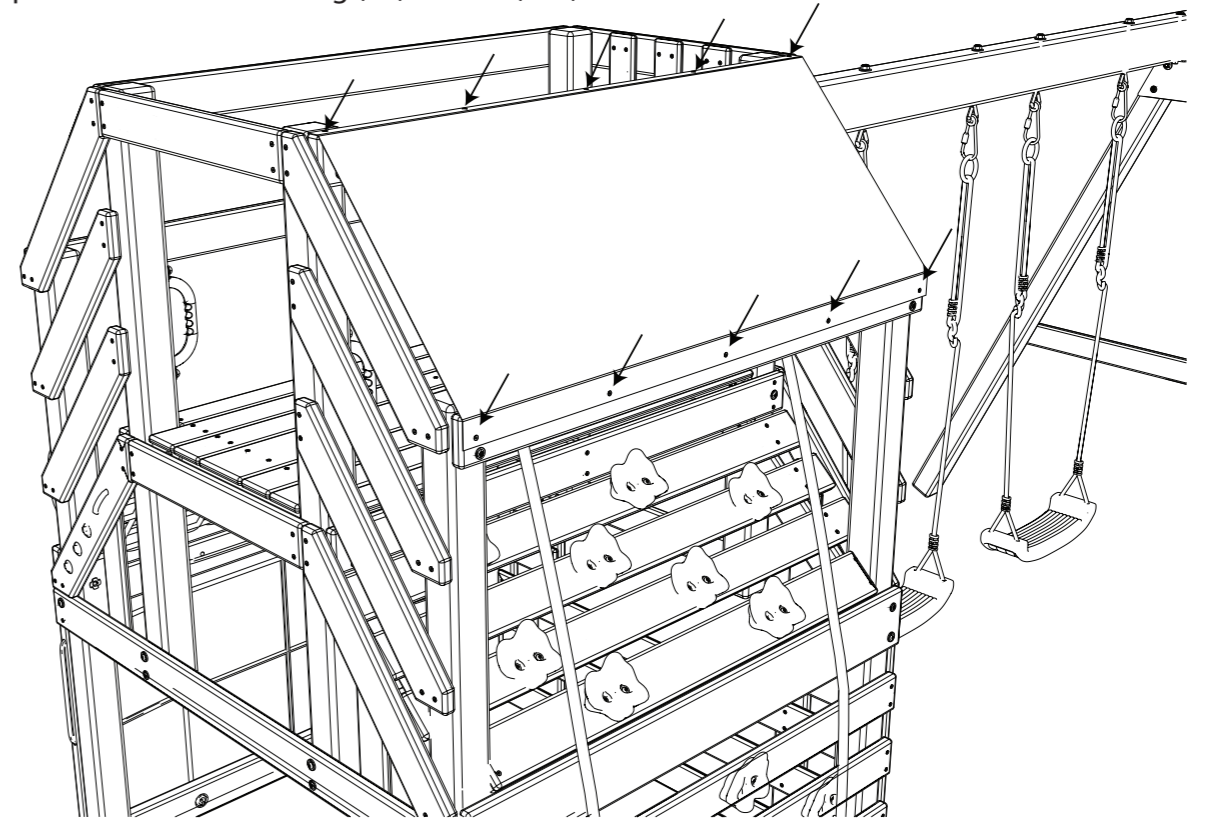
(6) Ground Stake - PC-HD23



(2) Swing Bracket - PC-HD36

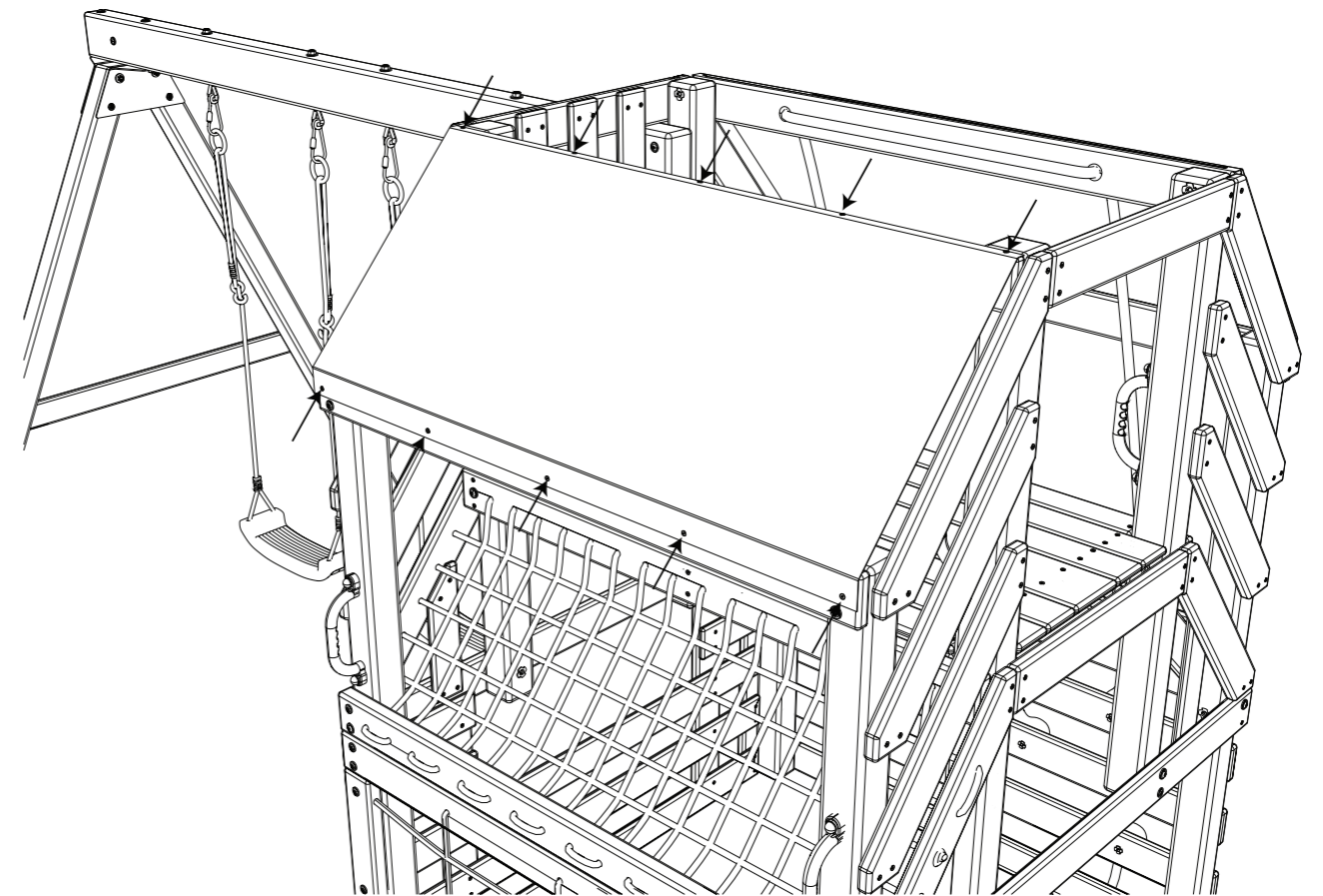
Step 105:

Align the edges of (1) Roof Tarp (PC-AC42) with the Rail Board (024) and the Rail Board (003). Attach the Roof Tarp to the Rail Boards using (10) Screws (S95).



Step 106:

Align the edges of (1) Roof Tarp (PC-AC42) with the Rail Boards (003). Attach the Roof Tarp to the Rail Boards using (10) Screws (S95).

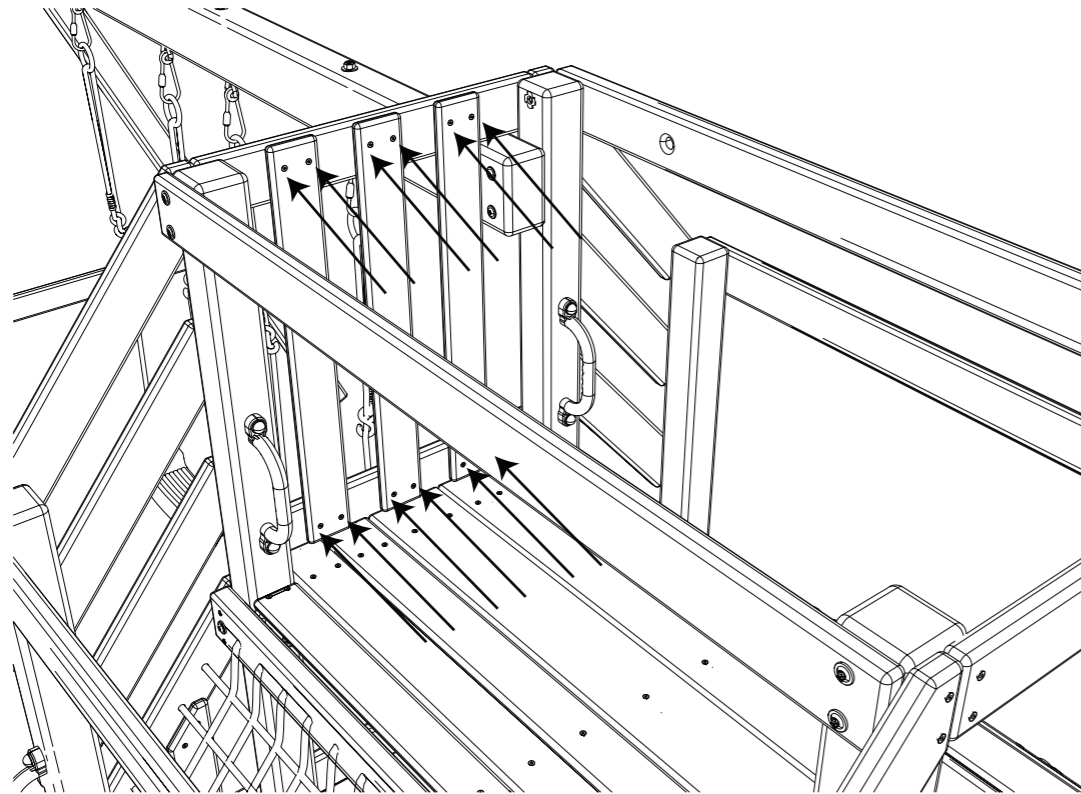


PARTS LIST CONTINUED

Step 103:

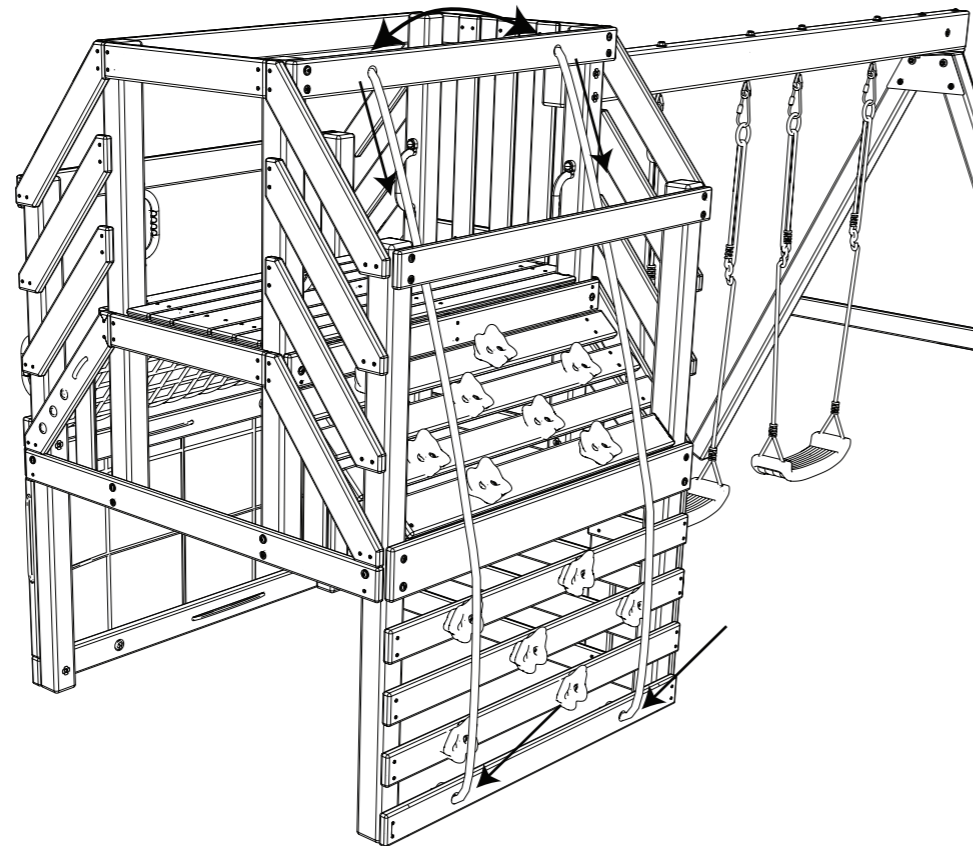
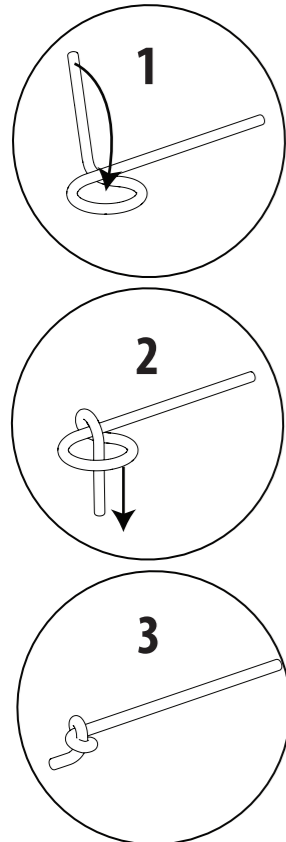
Evenly space and attach (3) Wall Boards (022) to the Wall Rail Board (013) and Wall Board (017) using (12) Screws (S95).

WARNING: To avoid head or torso entrapment, the Wall Boards should never be placed between 3.5in to 9in (9cm to 23cm) apart. To avoid finger entrapment, the Wall Boards should never be positioned 0.5in (1.25cm) or closer. Even spacing of the Wall Boards will minimize these concerns.

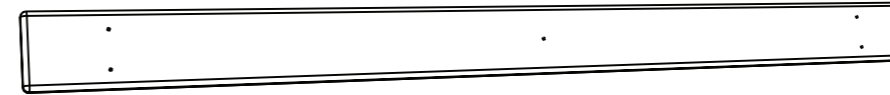


Step 104:

Thread both ends of the Climbing Rope (PC-AC39) through the inside of the Rail Board (024). Thread each end of the Climbing Rope through the front of the Baseboard (011). Knot the Climbing Rope as shown above and pull tight. Make sure the knot is located near the end of the Rope.



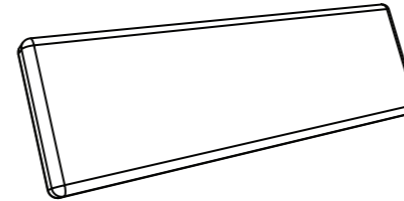
(2) Floorboard - 220019



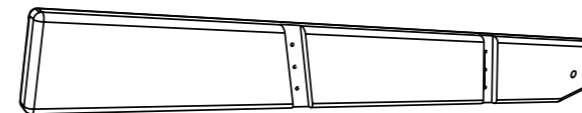
(4) Floorboard - 220020



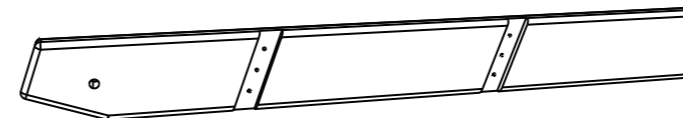
(1) Floorboard - 220044



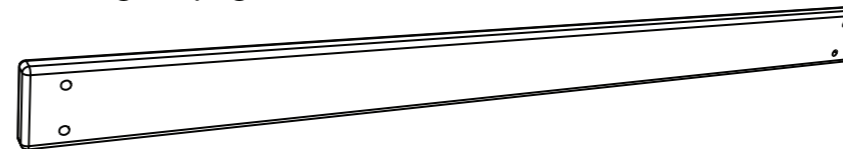
(2) Ladder Rung - 220029



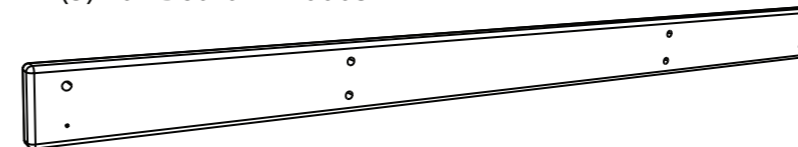
(1) Left Upright - 220028



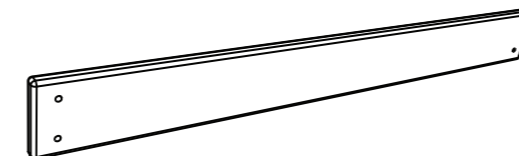
(1) Right Upright - 220030



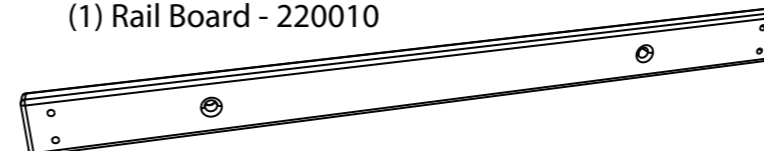
(3) Rail Board - 220003



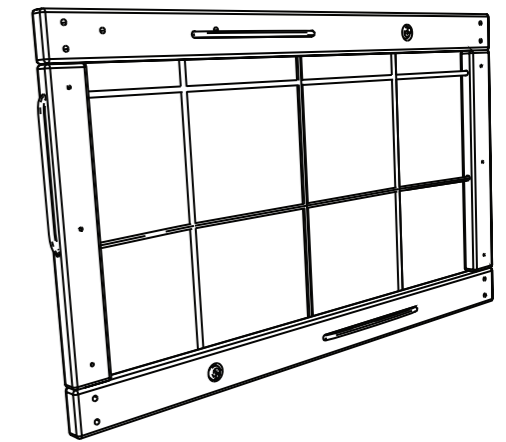
(2) Rail Board - 220009



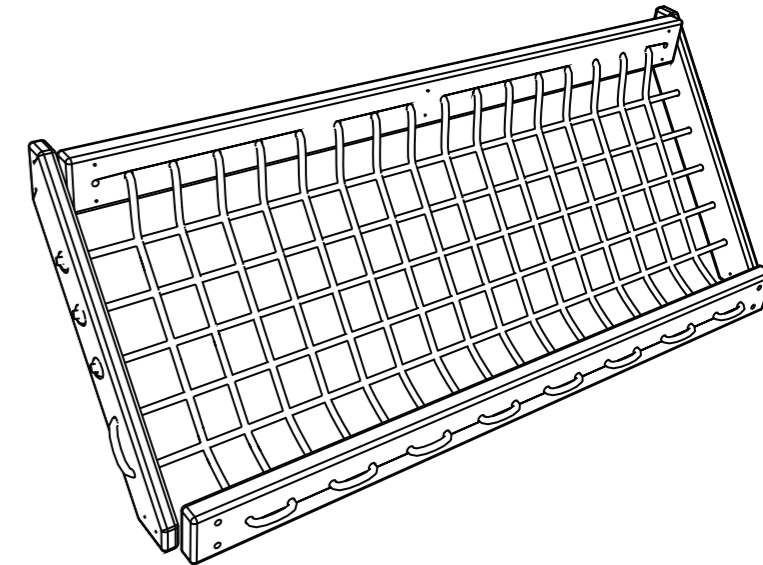
(1) Rail Board - 220010



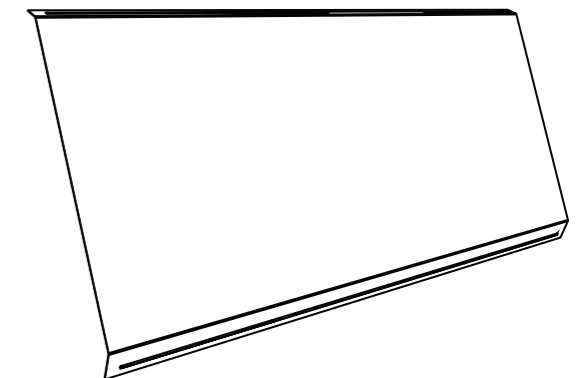
(1) Rail Board - 220024



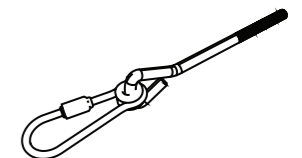
(1) Lower Cargo Net Frame - PC-AC41



(1) Upper Cargo Net Frame - PC-AC40

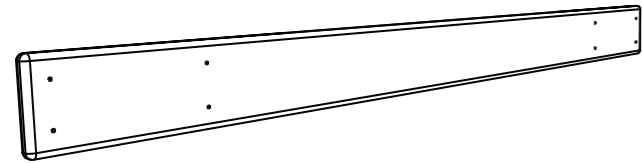


(2) Roof Tarp - PC-AC42

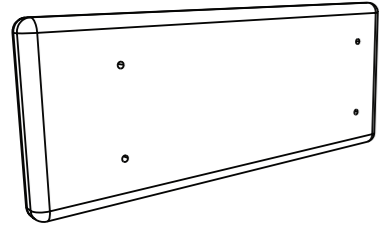


(4) Swing Hanger - PC-HD09

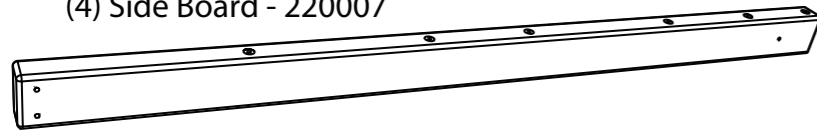
PARTS LIST CONTINUED



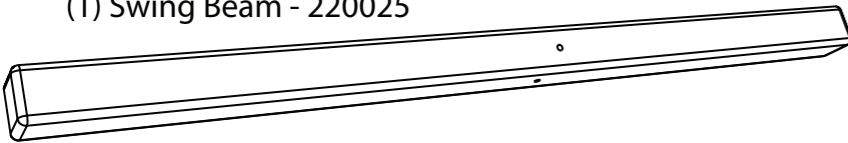
(3) Side Board - 220006



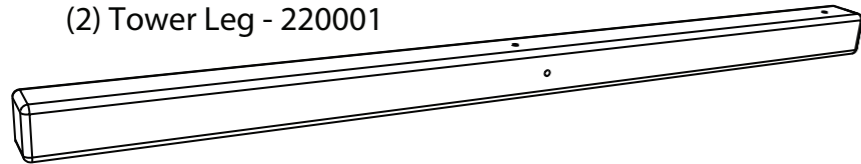
(4) Side Board - 220007



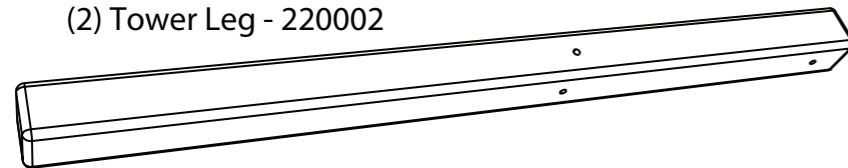
(1) Swing Beam - 220025



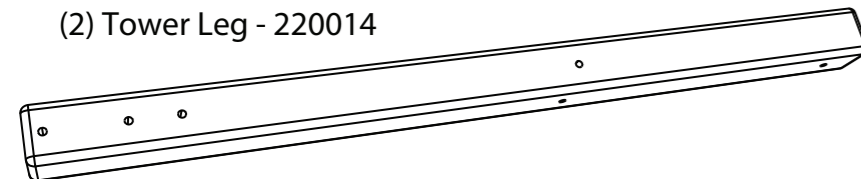
(2) Tower Leg - 220001



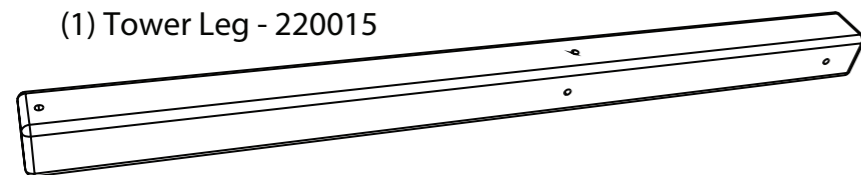
(2) Tower Leg - 220002



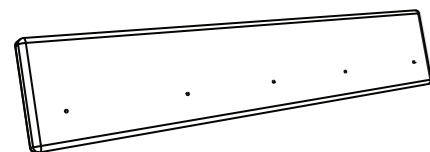
(2) Tower Leg - 220014



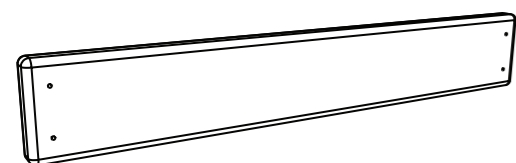
(1) Tower Leg - 220015



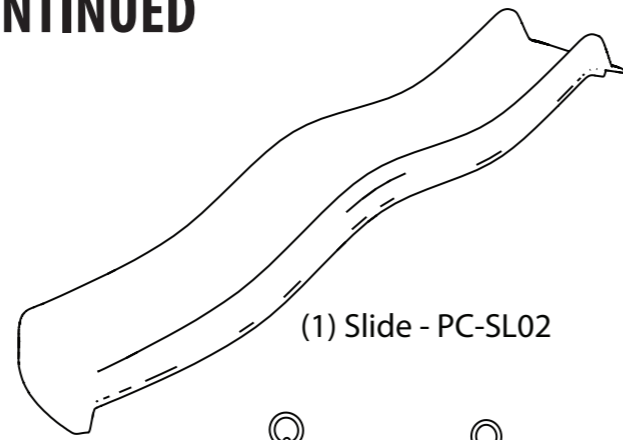
(1) Tower Leg - 220037



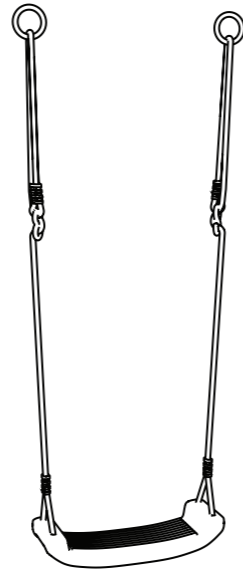
(2) Wall Board - 220005



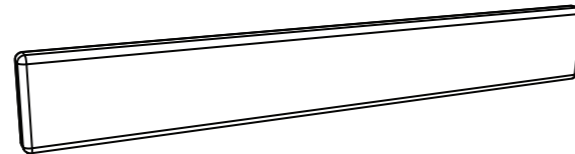
(5) Wall Rail Board - 220013



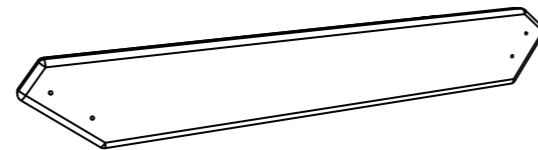
(1) Slide - PC-SL02



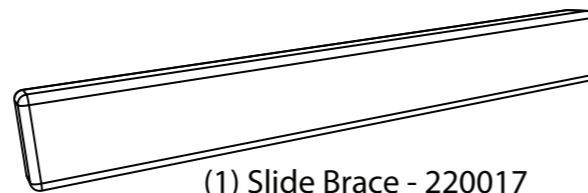
(2) Swing - PC-SS04R



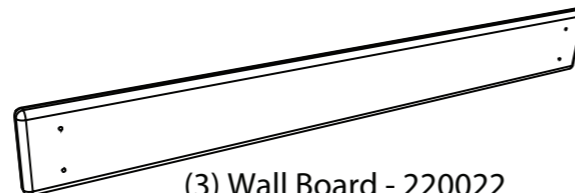
(2) Wall Board - 220008



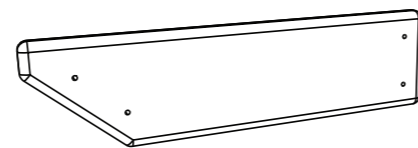
(14) Wall Board - 220012



(1) Slide Brace - 220017



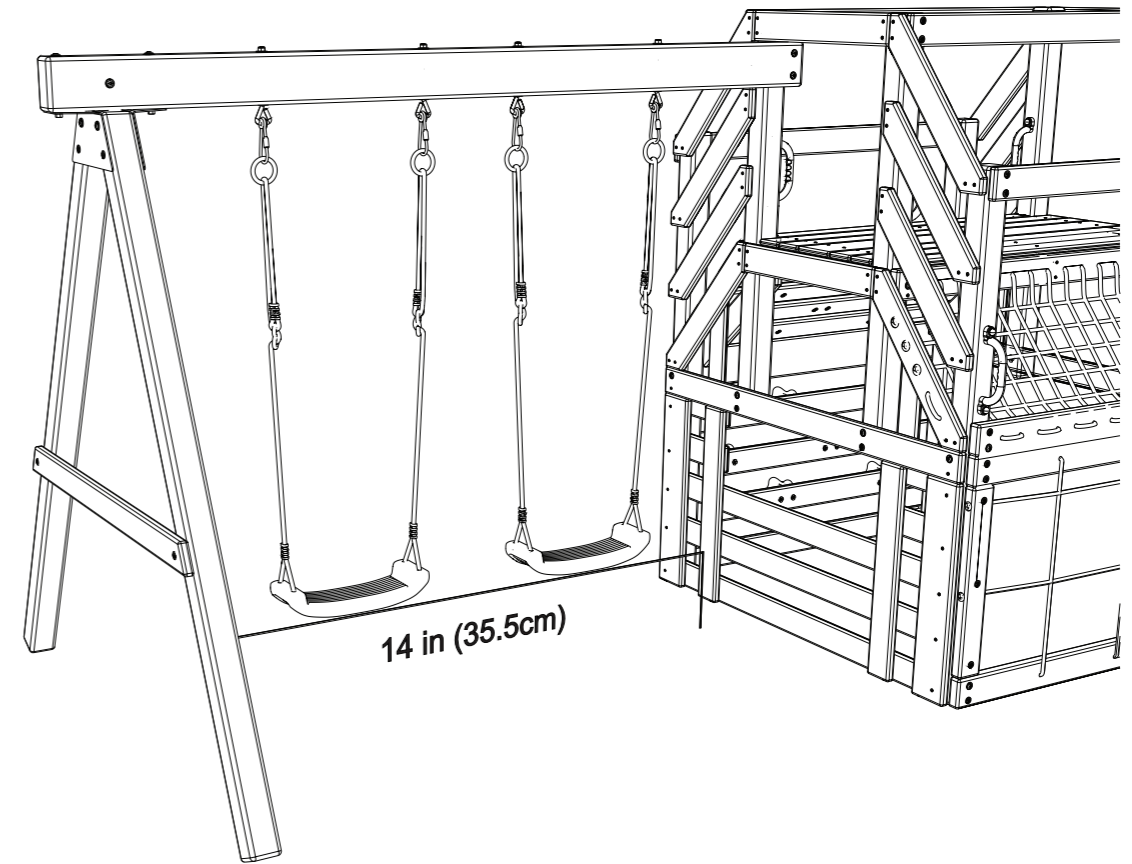
(3) Wall Board - 220022



(4) Wall Board - 220032

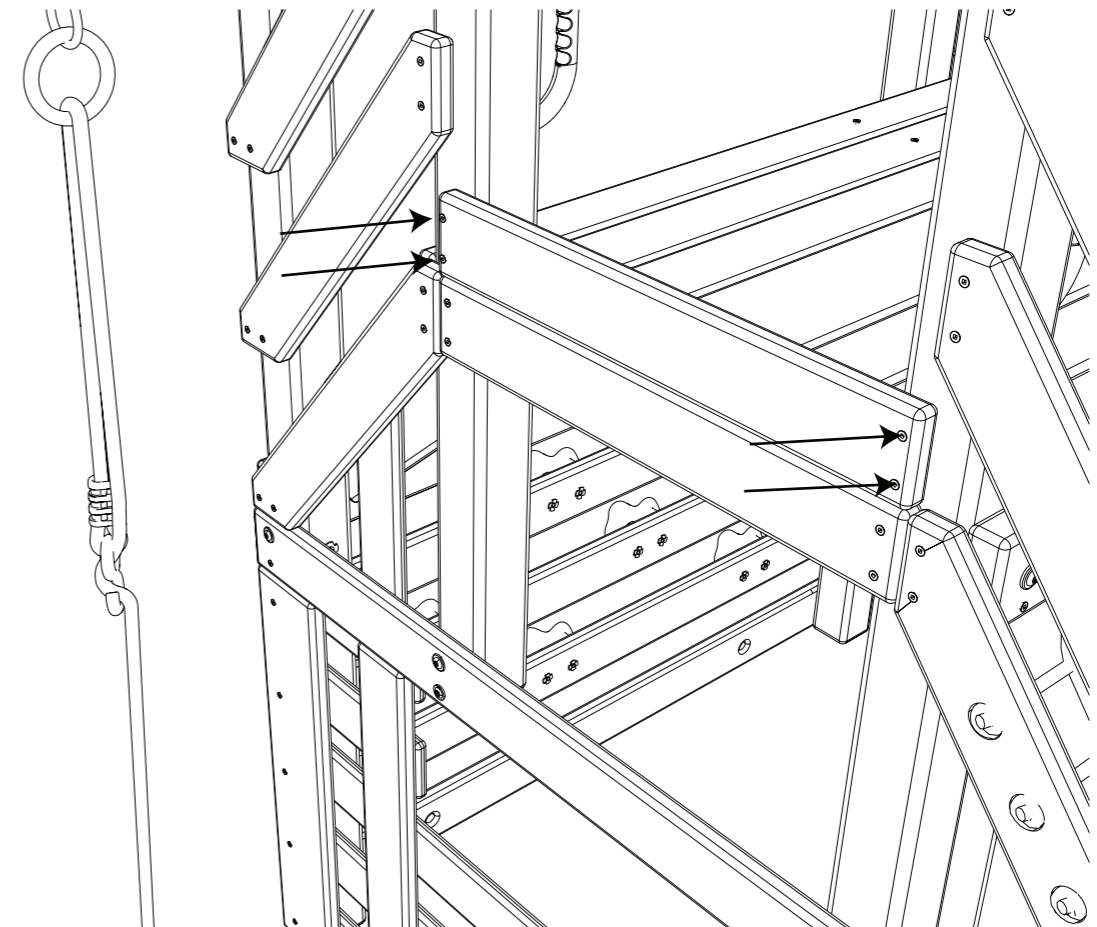
Step 101:

The minimum clearance between the Swing and the ground is 14in (35.5cm).



Step 102:

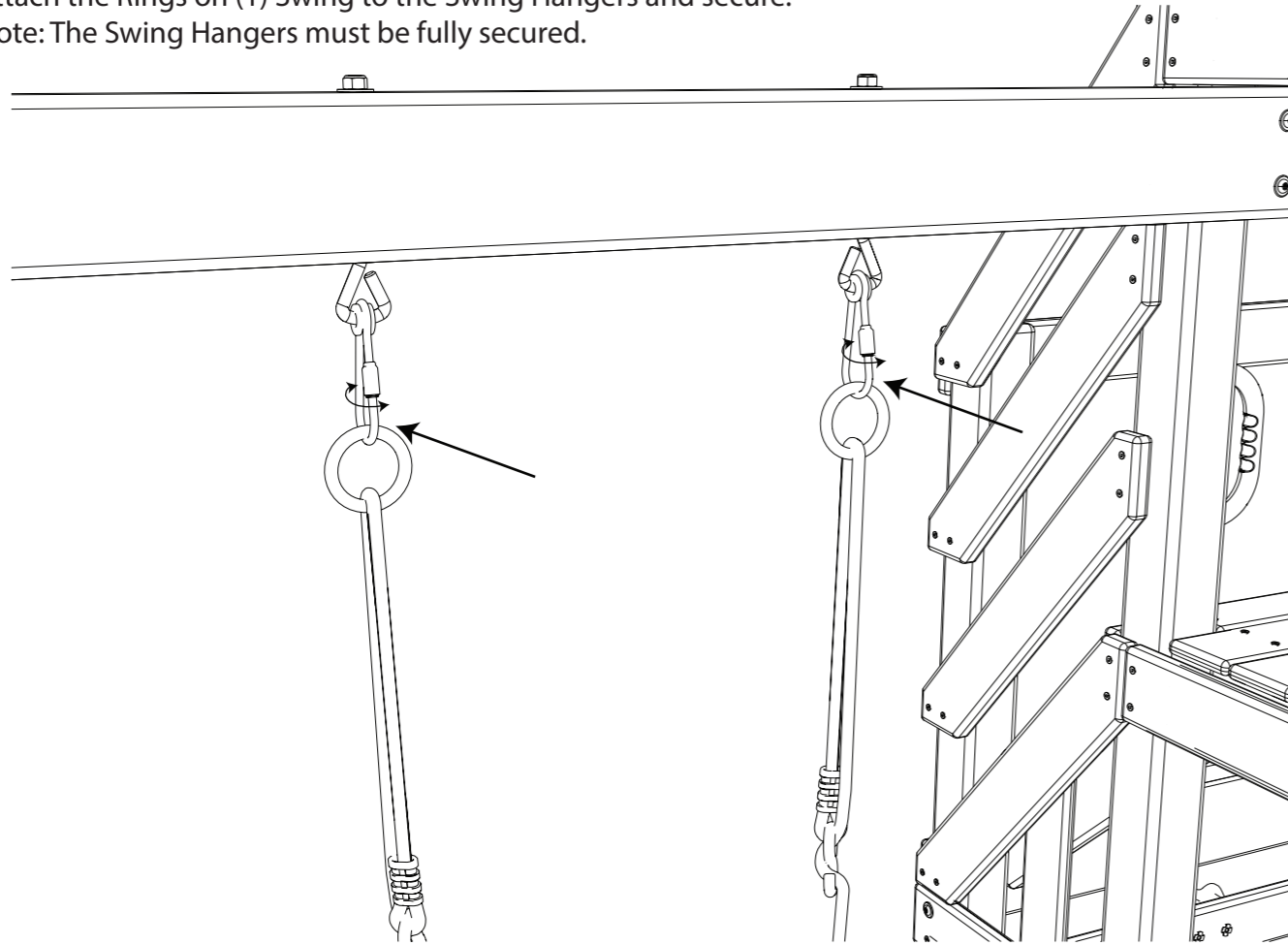
Attach (1) Wall Rail Board (013) to the Tower Legs (015) and (014) using (4) Screws (S92).



Step 99:

Attach the Rings on (1) Swing to the Swing Hangers and secure.

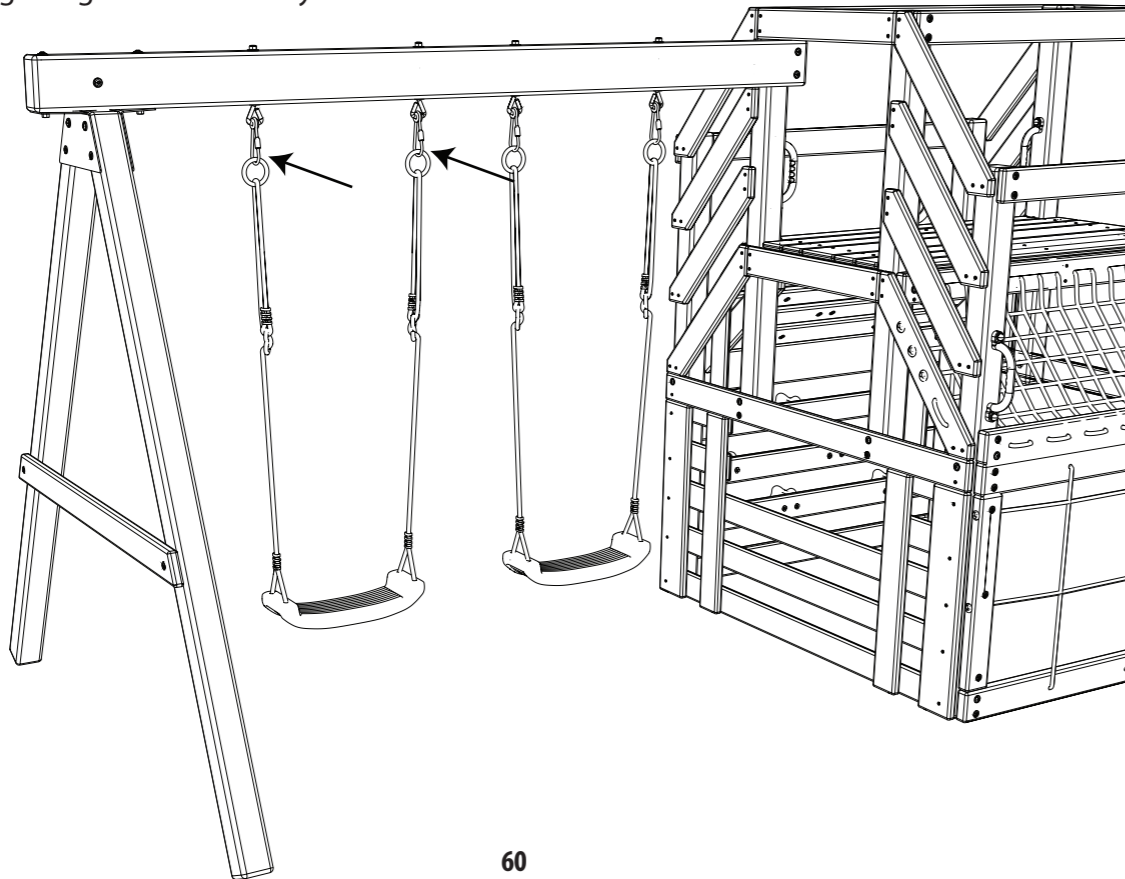
Note: The Swing Hangers must be fully secured.



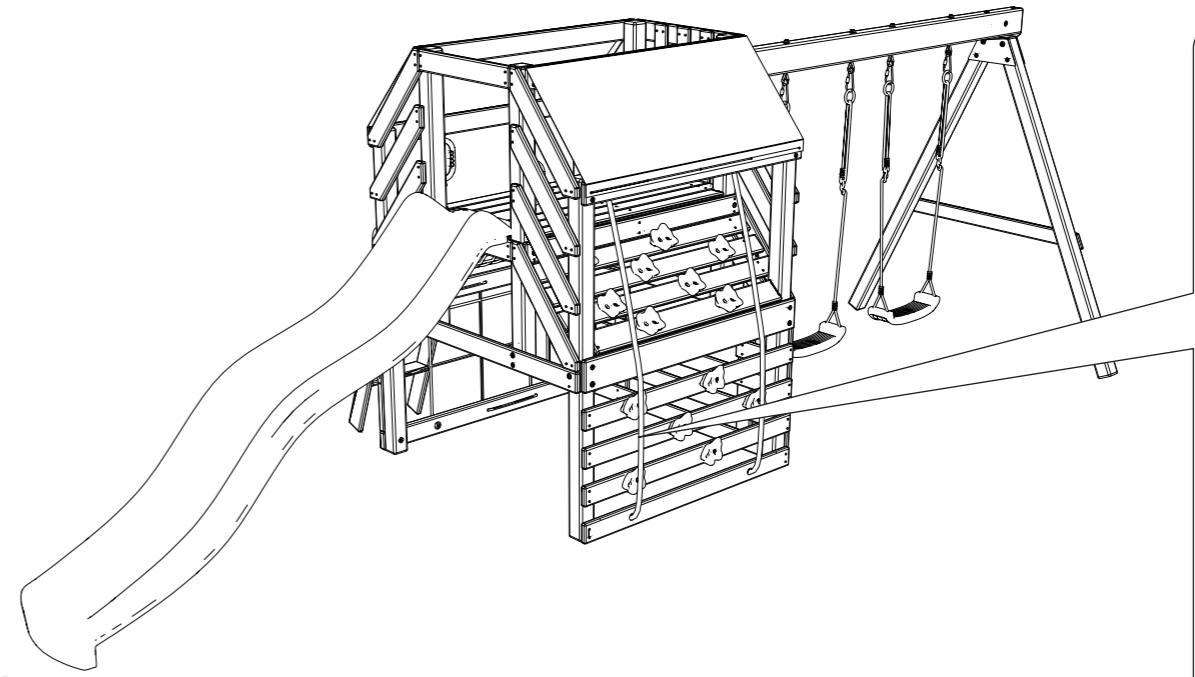
Step 100:

Attach the Rings on (1) Swing to the Swing Hangers and secure.

Note: The Swing Hangers must be fully secured.



ASSEMBLY INSTRUCTIONS



Step 1:

This procedure will assist you with assembling the Panther Peak.

Step 2:

To complete this procedure, you will need a Power Drill, a Hammer, a Rubber Mallet, a Metric Socket Wrench Set, a Level, a Square, an Adjustable Wrench, a Tape Measure, a Ladder, and the included Double Square Bit (MSC01) and Torx Bit (MSC02). Optionally, you may need a Flathead Screwdriver and a 3/16in Drill Bit.

Step 3:

This Unit is intended for children 3-10 years of age.

Maximum Weight: 110lbs. (50kg) per child.

Maximum Occupancy: 6.

Note: Prior to assembly, this package contains small parts: hardware which is a choking hazard and may contain sharp edges and sharp points. Keep away from children until assembled. Do not allow children to play on this Unit until assembly is complete and the Unit is properly anchored.

Step 4:

The obstacle-free safety zone extends 6ft or 2m out from the Unit and at least 12ft (3.7m) in front and back of to-fro swings from any obstruction such as a garage or house, fences, poles, trees, sidewalks, walls, landscape timbers, rocks, pavement, planters, garden borders, overhanging branches, laundry lines, and electrical wires.

Note: Locate bare metal Platforms and Slides out of direct sunlight to reduce the likelihood of serious burns. A Slide that faces north will receive the least direct sunlight.

Step 5:

Maximum critical fall height for this Unit is 6ft (2m). Place this Unit on level ground with protective surfacing applied to a depth that is suitable for the equipment height. Check and maintain the depth of the loose-fill surfacing material by marking the correct level on play equipment support posts. This will allow you to easily see when to replenish and/or redistribute the surfacing. Refer to the Important Safety Instructions for additional information.

Note: Do not install loose-fill surfacing over hard surfaces such as concrete, asphalt, or any other hard surface. A fall onto a hard surface can result in serious injury to the equipment user.

Step 6:

Lay out all Ropes in the sun or in a warm environment and allow them to become more pliable.

WARNING

CONTINUOUS ADULT SUPERVISION REQUIRED!

SERIOUS HEAD INJURY HAZARD
MAINTAIN SHOCK ABSORBING MATERIAL UNDER AND AROUND PLAY-SET AS RECOMMENDED IN THE INSTALLATION & OPERATING INSTRUCTIONS. INSTALLATION OVER CONCRETE, ASPHALT, DIRT, GRASS, CARPET AND OTHER HARD SURFACES CREATES A RISK OF SERIOUS INJURY OR DEATH FROM FALLS TO THE GROUND.

STRANGULATION HAZARDS
NEVER ALLOW CHILDREN TO PLAY WITH ROPES, CLOTHESLINES, PET LEASHES, CABLES, CHAINS OR CORD-LIKE ITEMS WHEN USING THIS PLAY-SET OR TO ATTACH THESE ITEMS TO PLAY-SET.

NEVER ALLOW CHILDREN TO WEAR LOOSE FITTING CLOTHING, PONCHOS, HOODS, SCARVES, CAPES, NECKLACES, OR ITEMS WITH DRAW-STRINGS, CORDS OR TIES WHEN USING THIS PLAY-SET.

NEVER ALLOW CHILDREN TO WEAR BIKE OR SPORT HELMETS WHEN USING THIS PLAY-SET. FAILURE TO PROHIBIT THESE ITEMS INCREASES THE RISK OF SERIOUS INJURY AND DEATH TO CHILDREN FROM ENTANGLEMENT AND STRANGULATION.

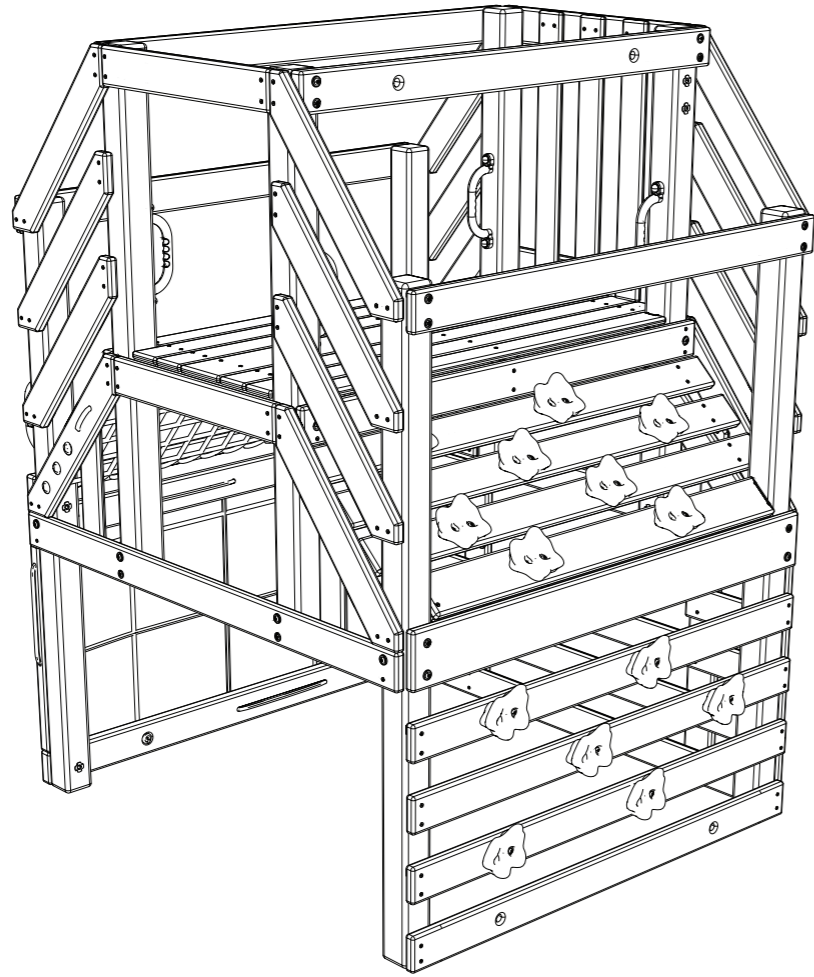
FOR CHILDREN 3 TO 10 YEARS OF AGE, MAXIMUM NUMBER OF USERS, INSTALLATION & OPERATING INSTRUCTIONS: OTHER INFORMATION IS AVAILABLE AT:

www.littletikes.com
Little Tikes Consumer Service
2180 Barlow Road,
Hudson, Ohio 44236 U.S.A.
1-800-321-0183

Tracking Number:

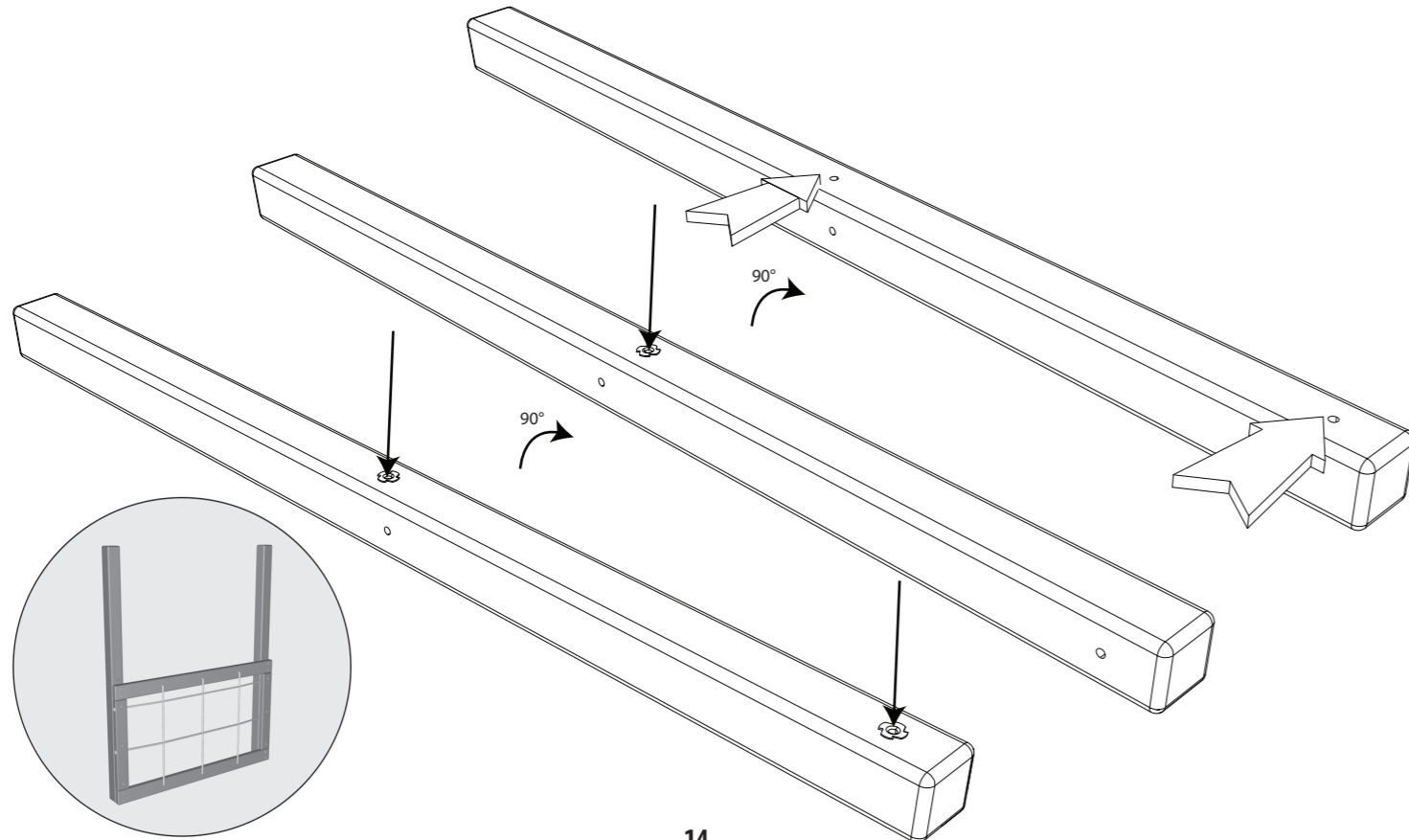
Step 7:

The following steps will guide you through the Fort Assembly.



Step 8:

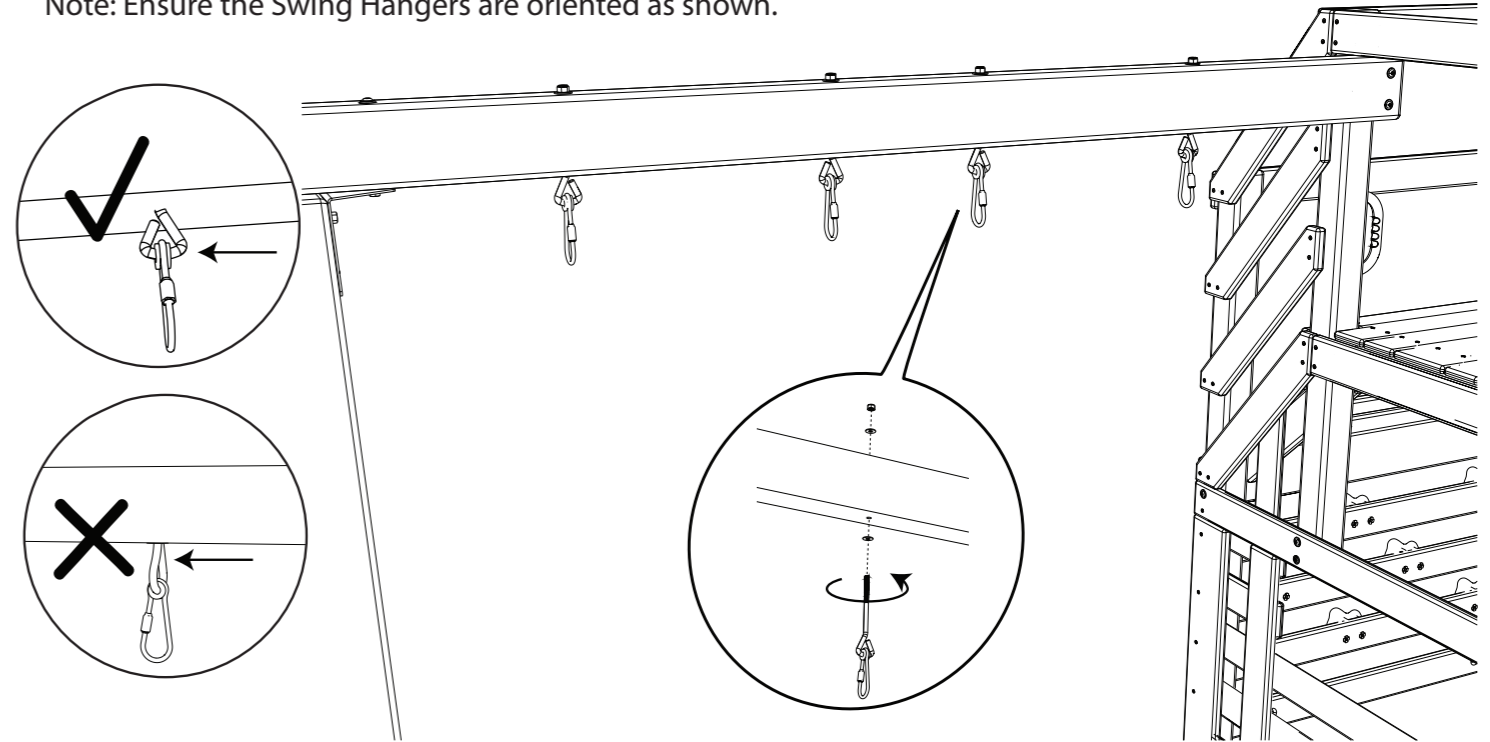
The following steps will guide you through the Tower Leg (002) Assembly. Insert (3) Nuts (N02) into (1) Tower Leg (002) as shown. The Tower Leg should have (2) large predrilled holes facing up.



Step 97:

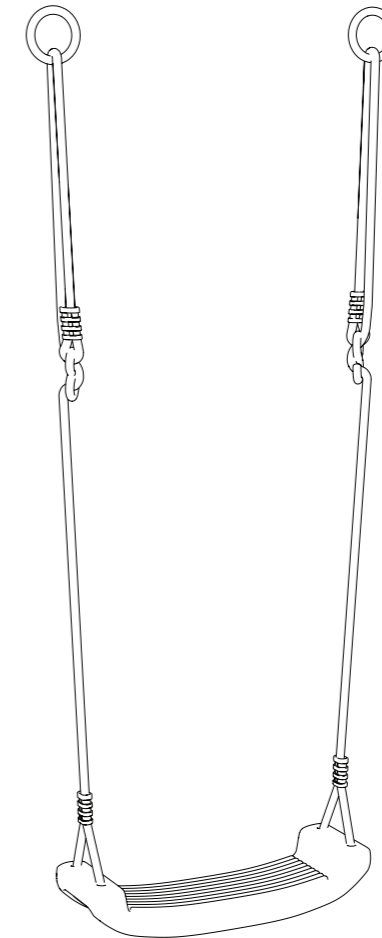
Place (1) Washer onto each Swing Hanger. Insert (4) Swing Hangers into the Swing Beam. Using a Socket Wrench, secure each Swing Hanger using (1) Washer and (1) Self-Locking Nut. Tighten each Self-Locking Nut as much as possible.

Note: Ensure the Swing Hangers are oriented as shown.



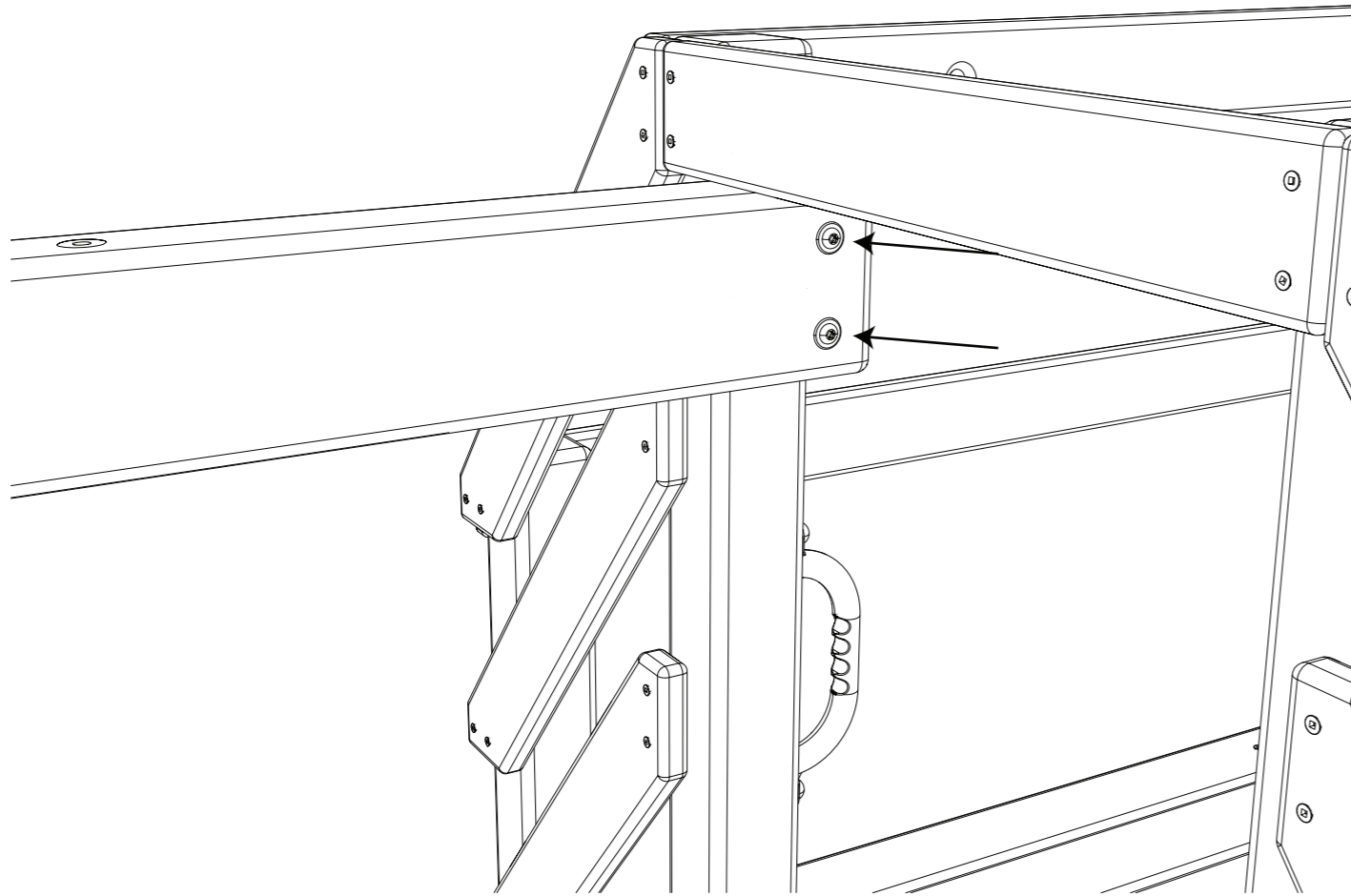
Step 98:

Carefully untangle the Ropes on the Swings.



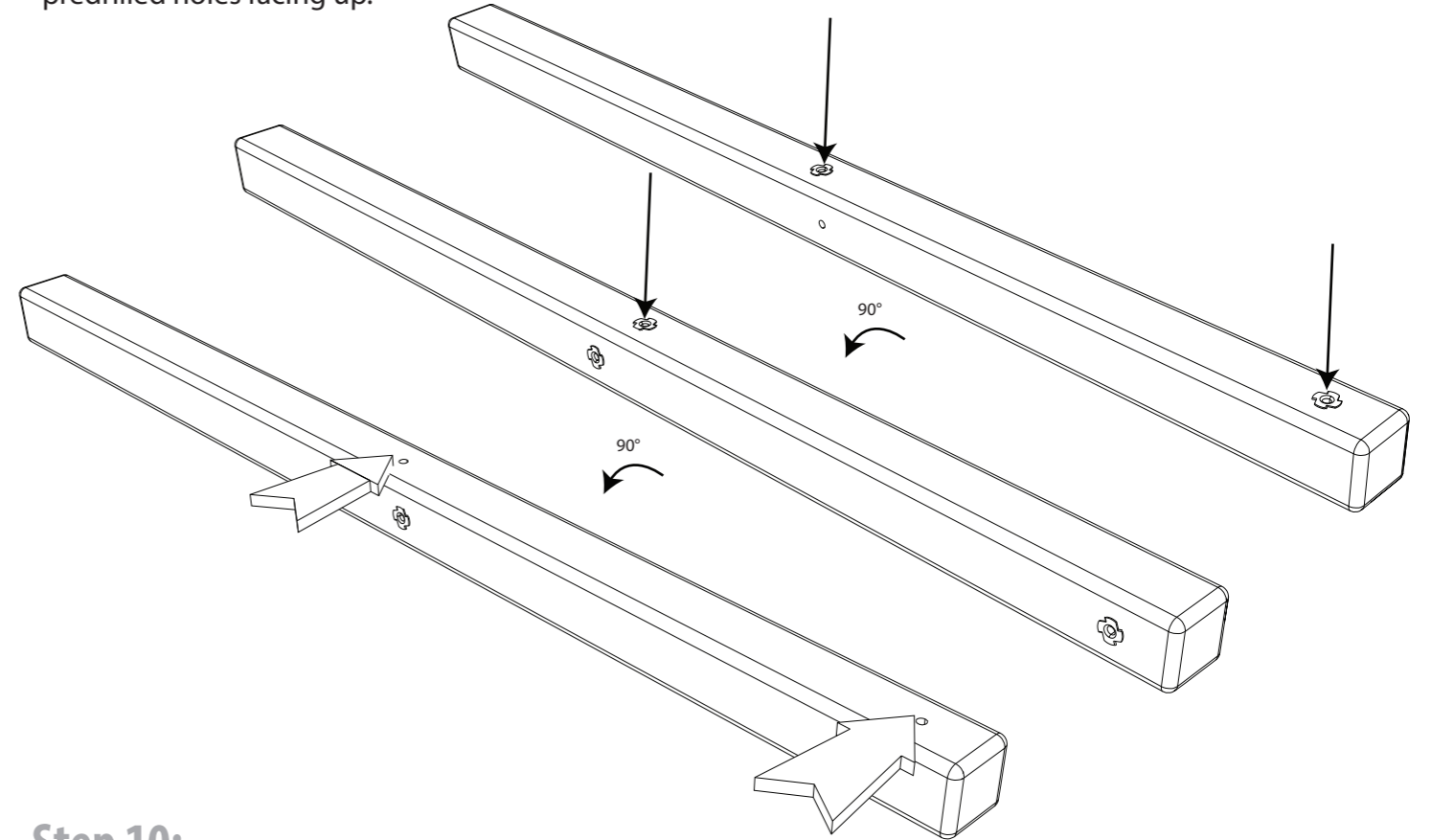
Step 95:

Attach the Swing Beam to the Tower Leg (015) using (2) Bolts (B166).



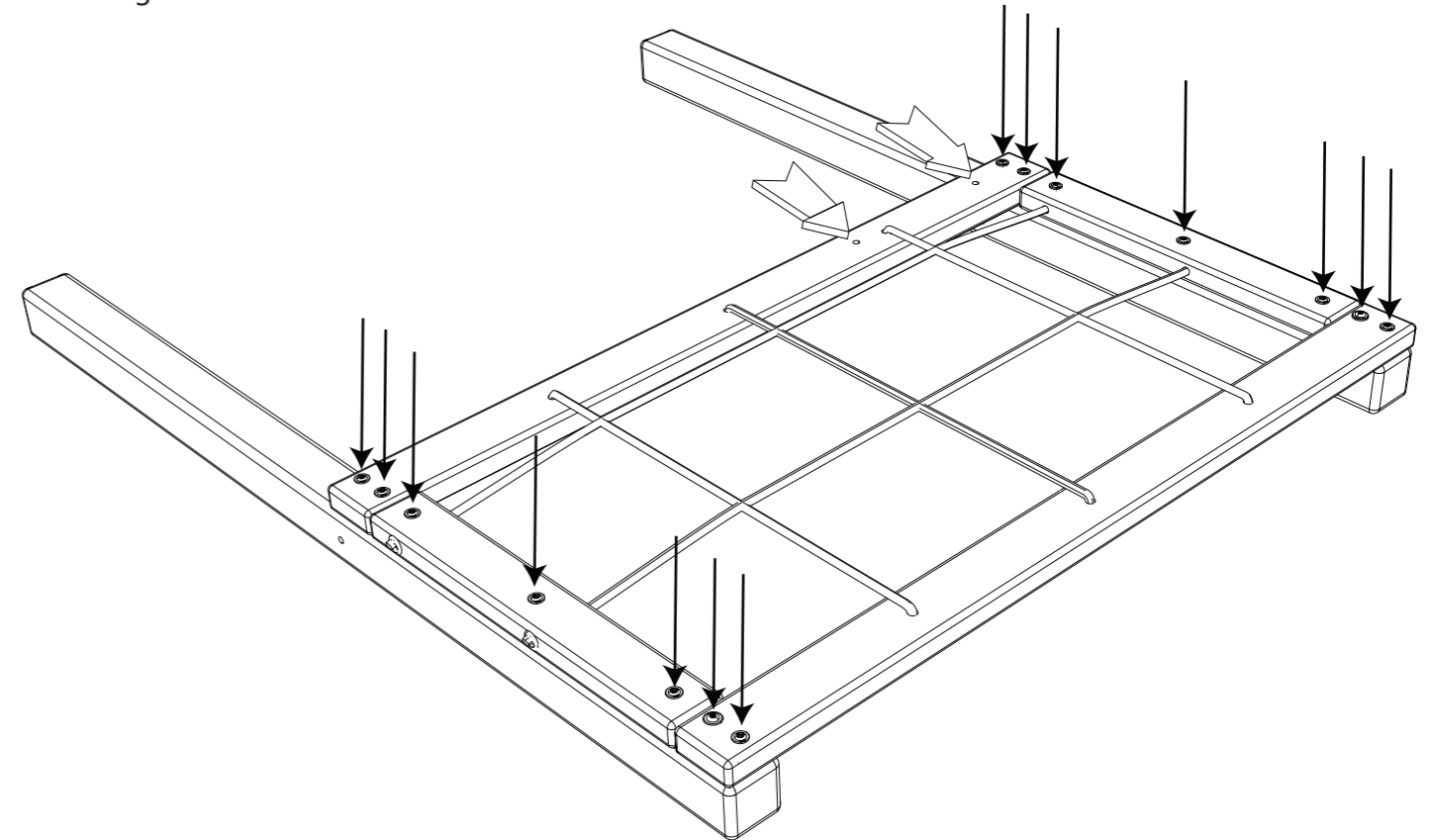
Step 9:

Insert (3) Nuts (N02) into the second Tower Leg (002) as shown. The Tower Leg should have (2) large predrilled holes facing up.



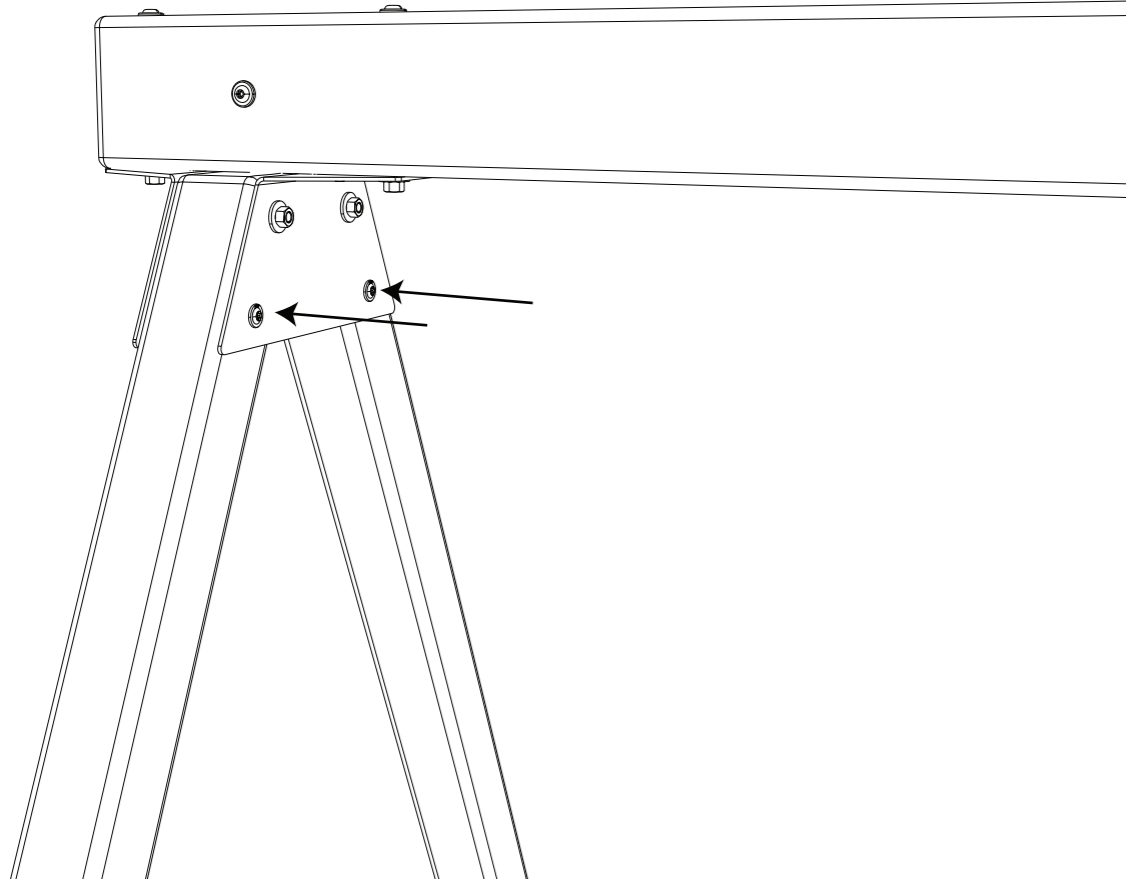
Step 10:

Lay out the (2) Tower Legs (002) as shown. Ensure the previously installed Nuts on the Tower Legs face the correct direction. Attach (1) Lower Cargo Net Frame (PC-AC41) using (2) Bolts (B163) and (12) Screws (S120). Ensure that the Rope is laid out as shown and that the (2) pilot holes are on the top of the Lower Cargo Net Frame.



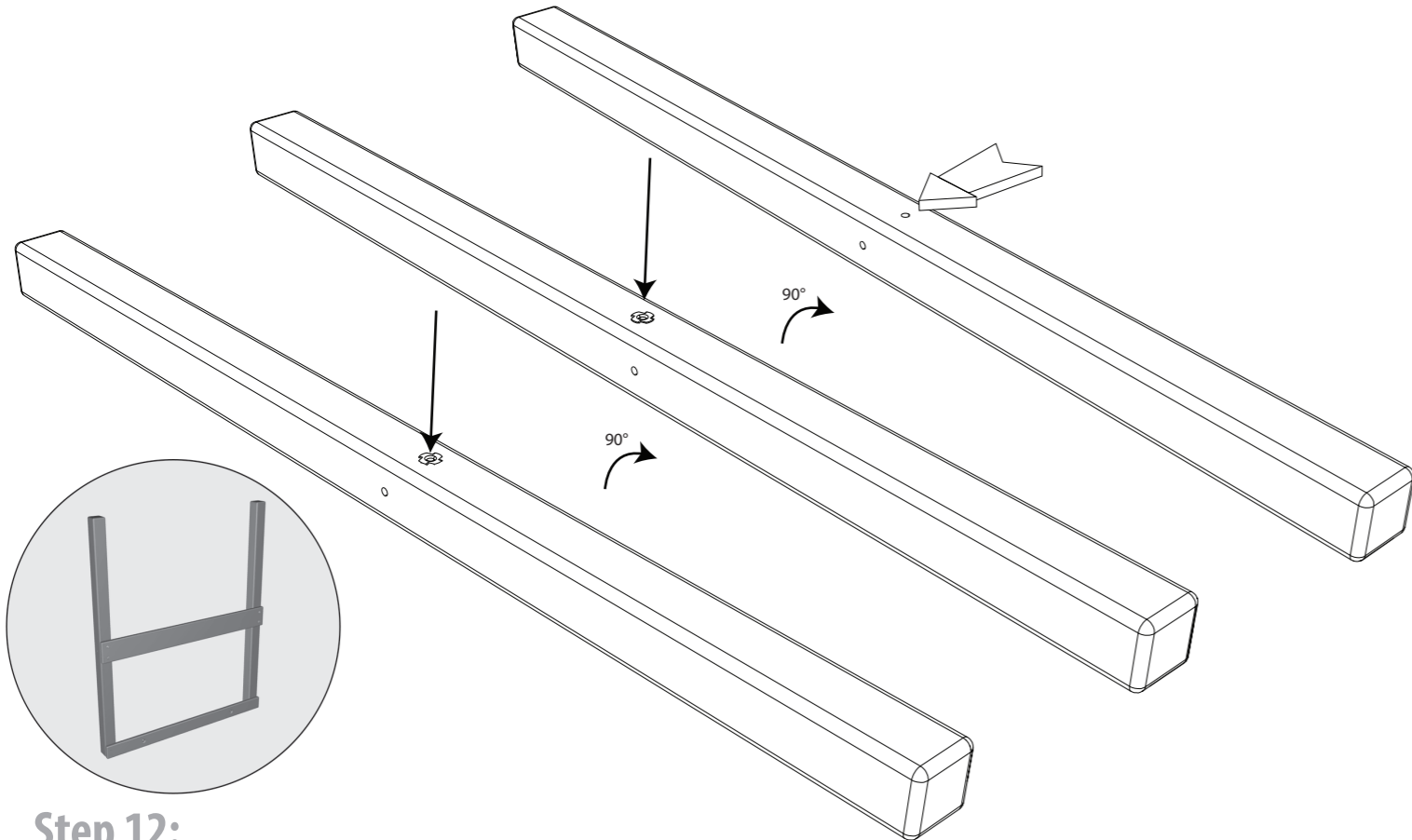
Step 96:

Secure the Left Swing Bracket (PC-HD36) to the Beam Support Braces using (2) Screws (S119).



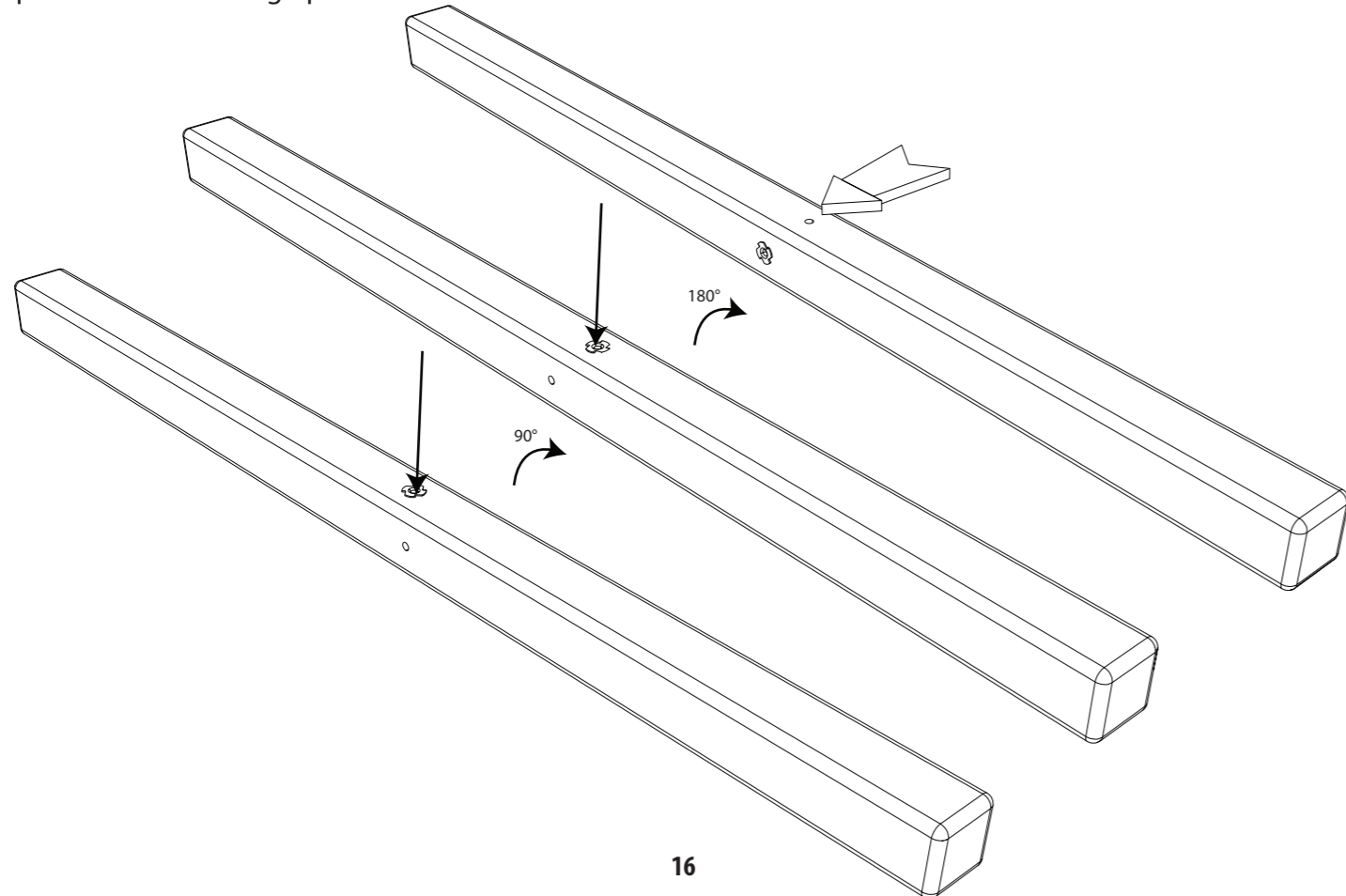
Step 11:

The following steps will guide you through the Tower Leg (001) Assembly. Orient (1) Tower Leg (001) as shown. Insert (1) Nut (N02) into (1) Tower Leg (001) into the predrilled hole that is lower. Rotate the Tower Leg and insert (1) Nut (N02). The Tower Leg should have the lower predrilled hole facing up.



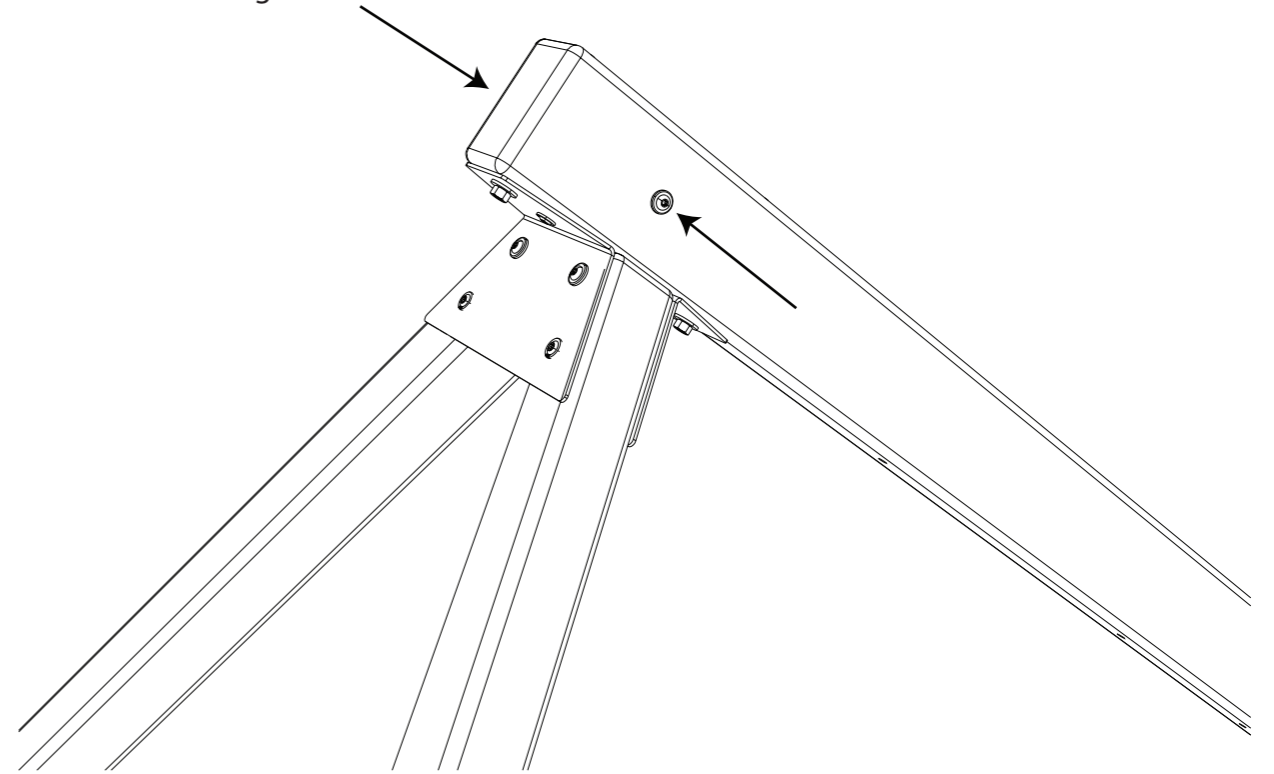
Step 12:

Orient (1) Tower Leg (001) as shown. Insert (1) Nut (N02) into (1) Tower Leg (001) into the predrilled hole that is higher. Rotate the Tower Leg and insert (1) Nut (N02). The Tower Leg should have the lower predrilled hole facing up.



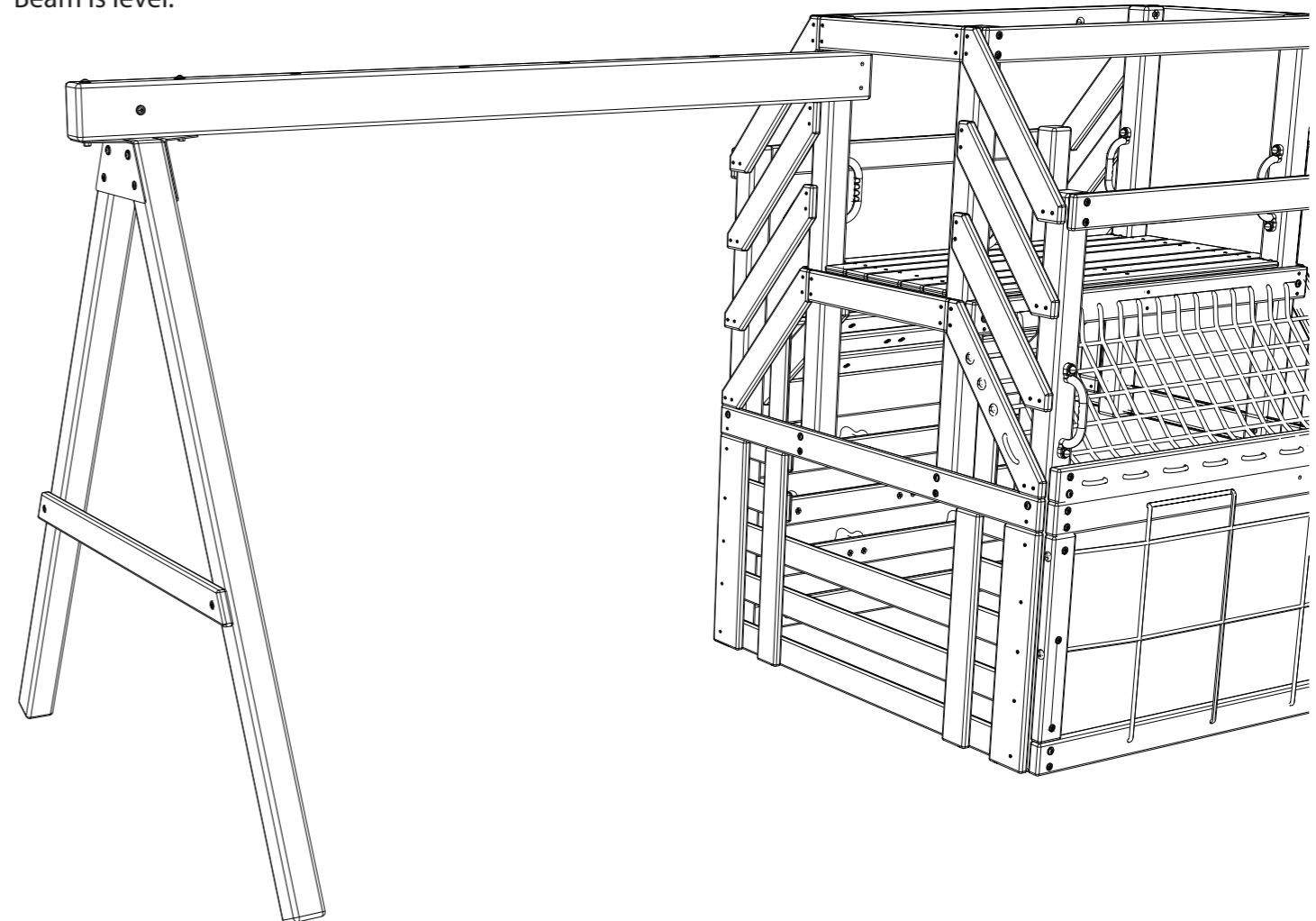
Step 93:

Insert (1) Nut (N02) and (1) Bolt (B168) into the Swing Beam. This hardware is required to prevent the wood from checking.



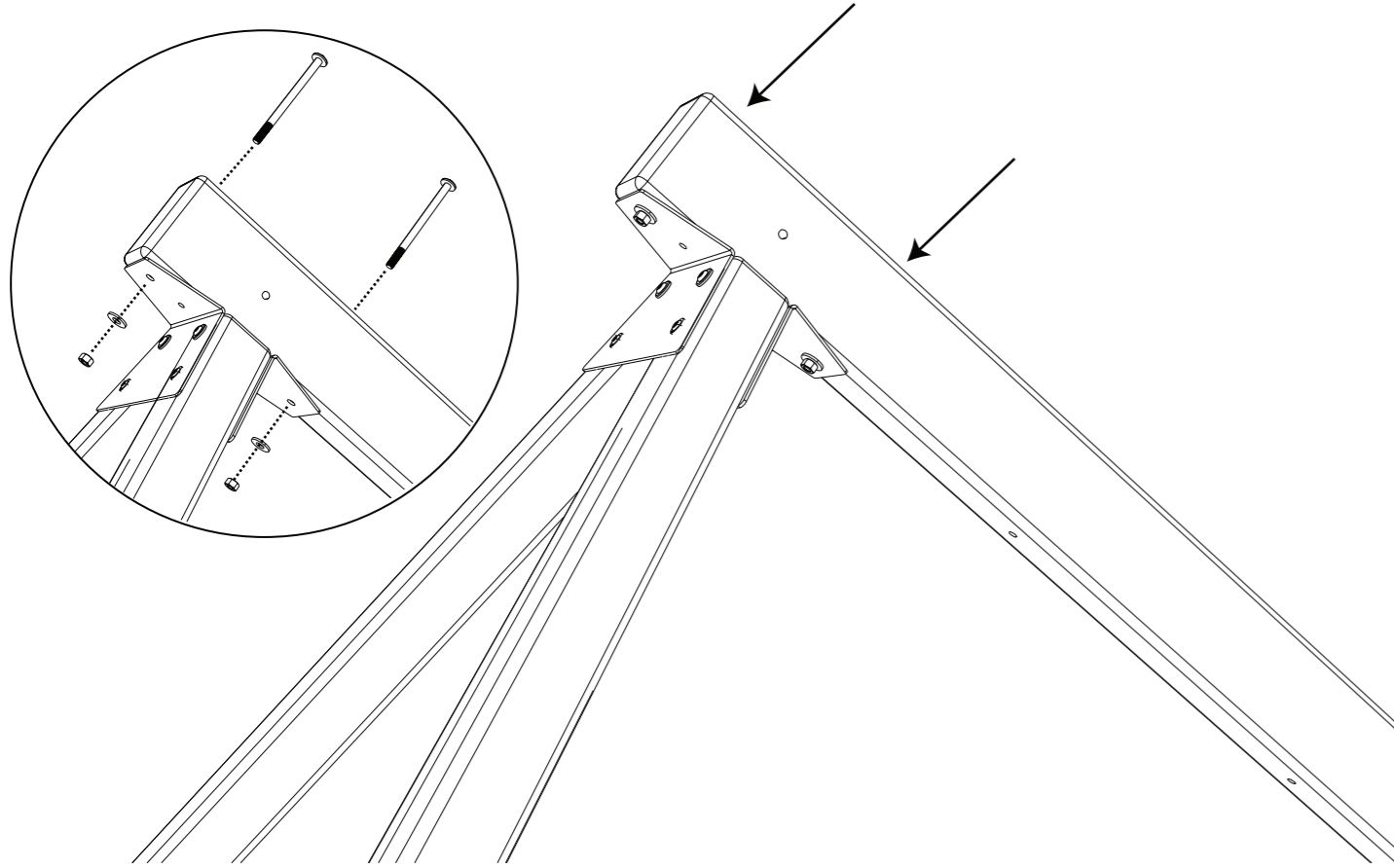
Step 94:

Stand the Swing Beam Assembly upright. Align the Swing Beam with Tower Leg (015). Ensure the Swing Beam is level.



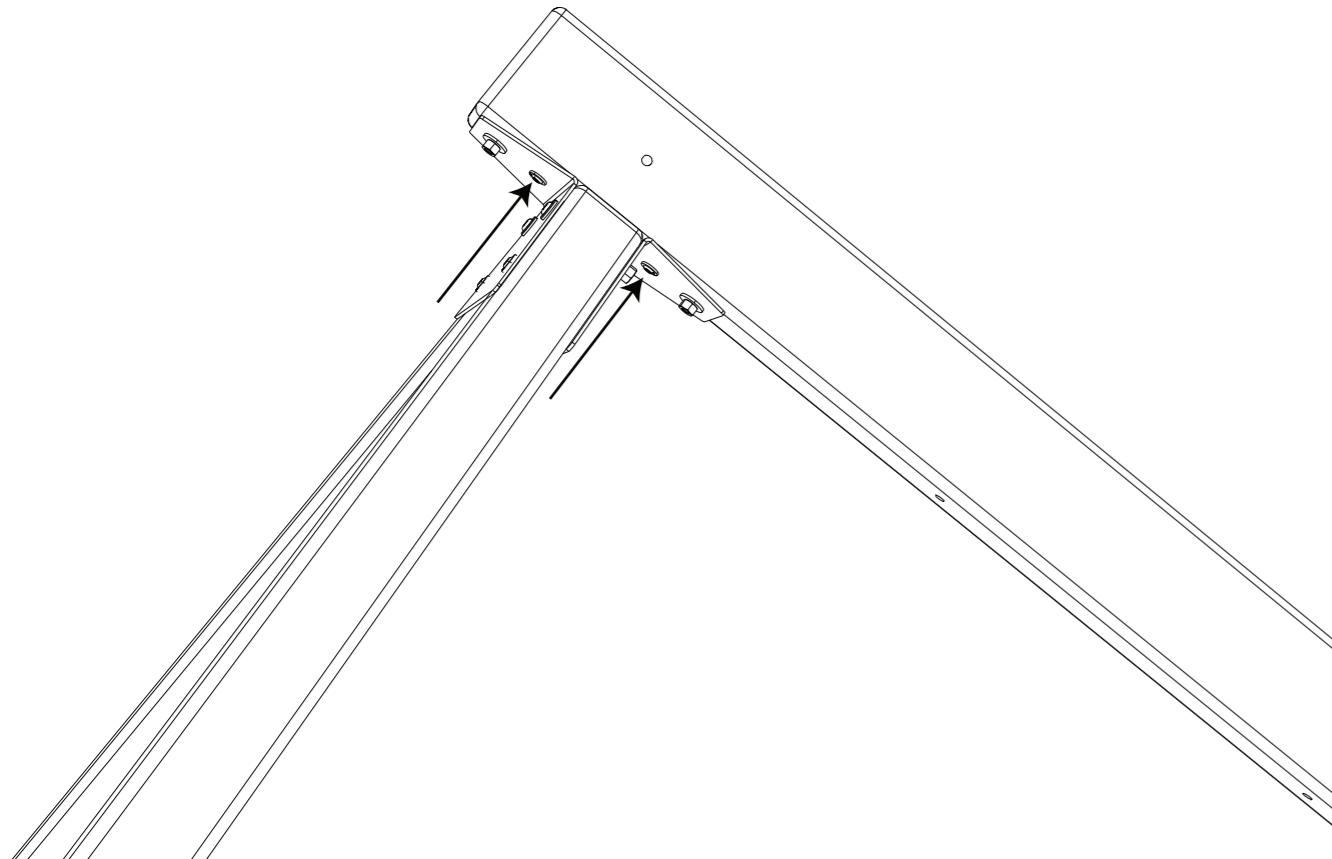
Step 91:

Attach the Swing Beam to the A-Frame Assembly using (2) Bolts (B165), (2) Washers (W08), and (2) Nuts (N12).



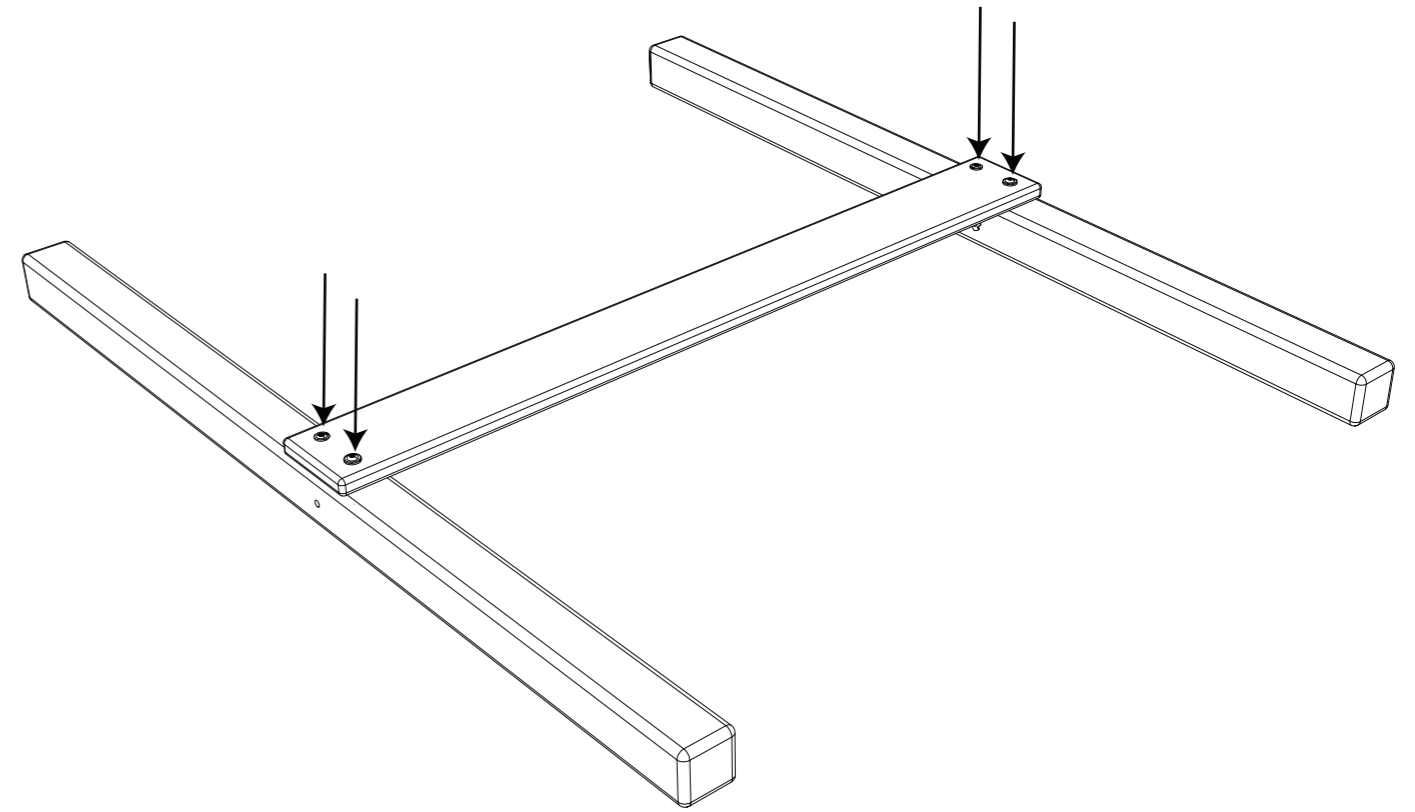
Step 92:

Secure the Brackets to the Swing Beam using (2) Screws (S120).



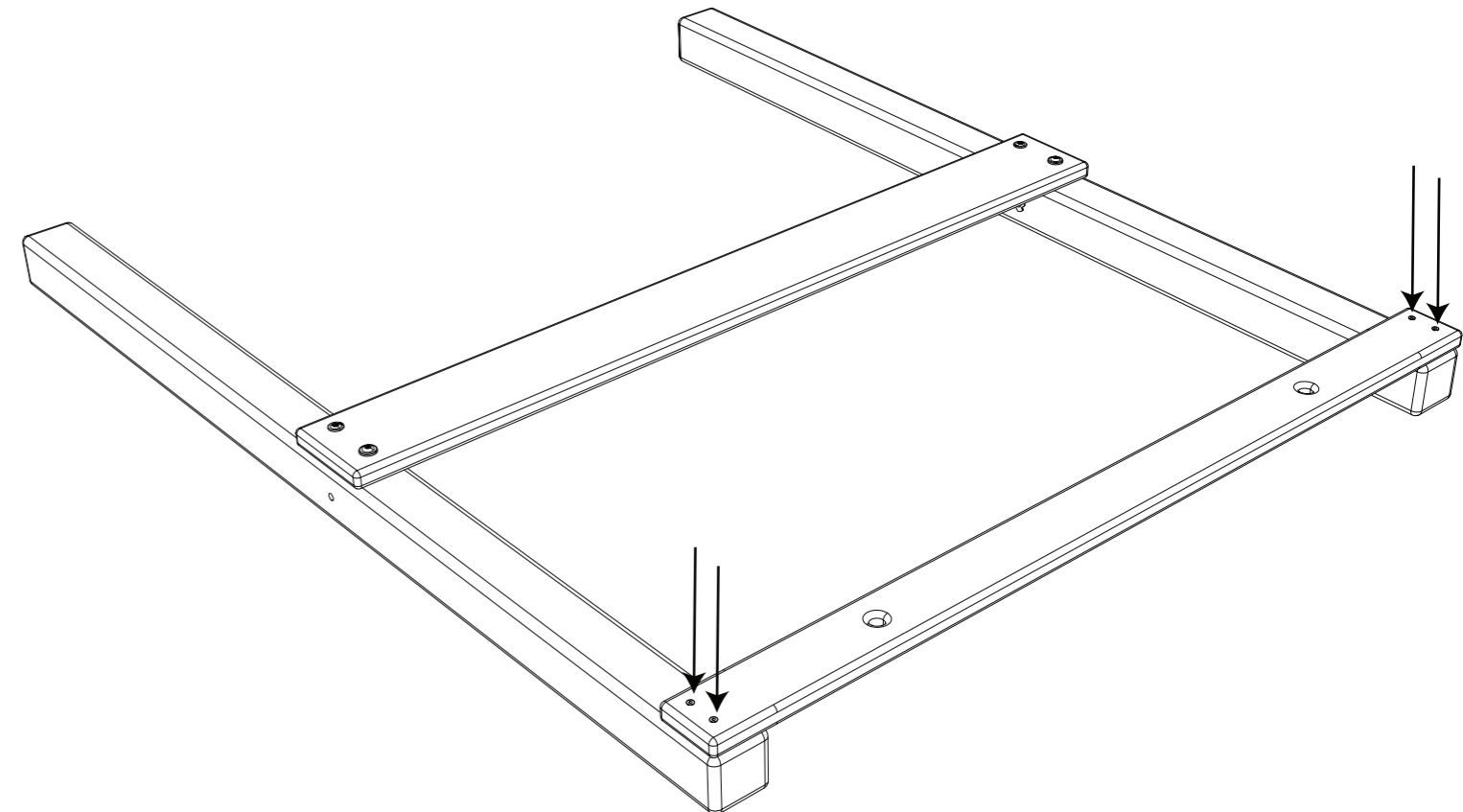
Step 13:

Lay out the (2) Tower Legs (001) as shown. Ensure the previously installed Nuts on the Tower Legs face the correct direction. Attach (1) Rail Board (010) using (2) Bolts (B161) and (2) Screws (S120).



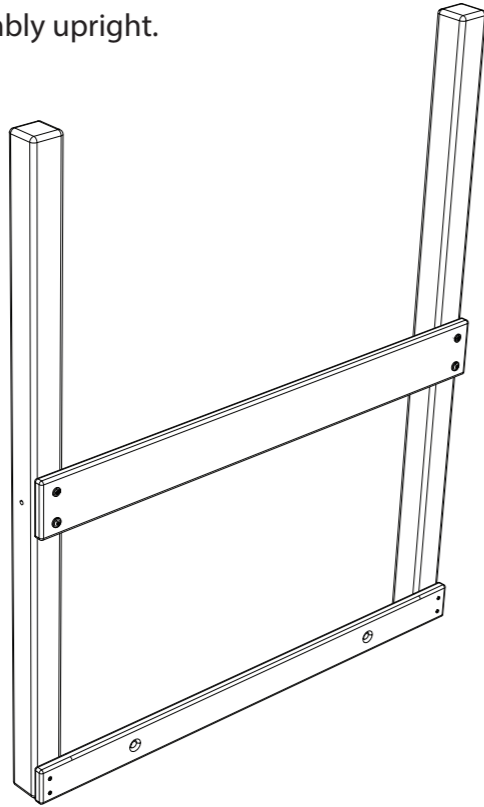
Step 14:

Attach (1) Baseboard (011) using (4) Screws (S92).



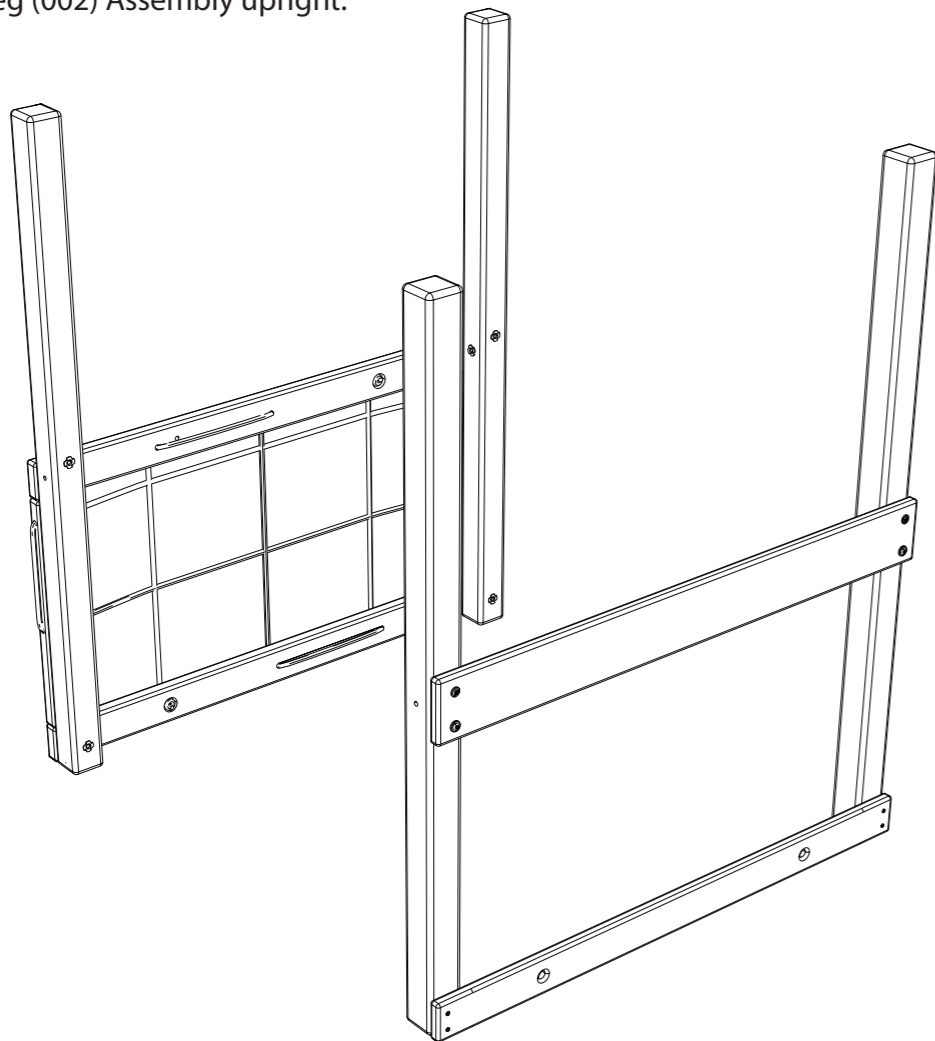
Step 15:

Stand the Tower Leg (001) Assembly upright.



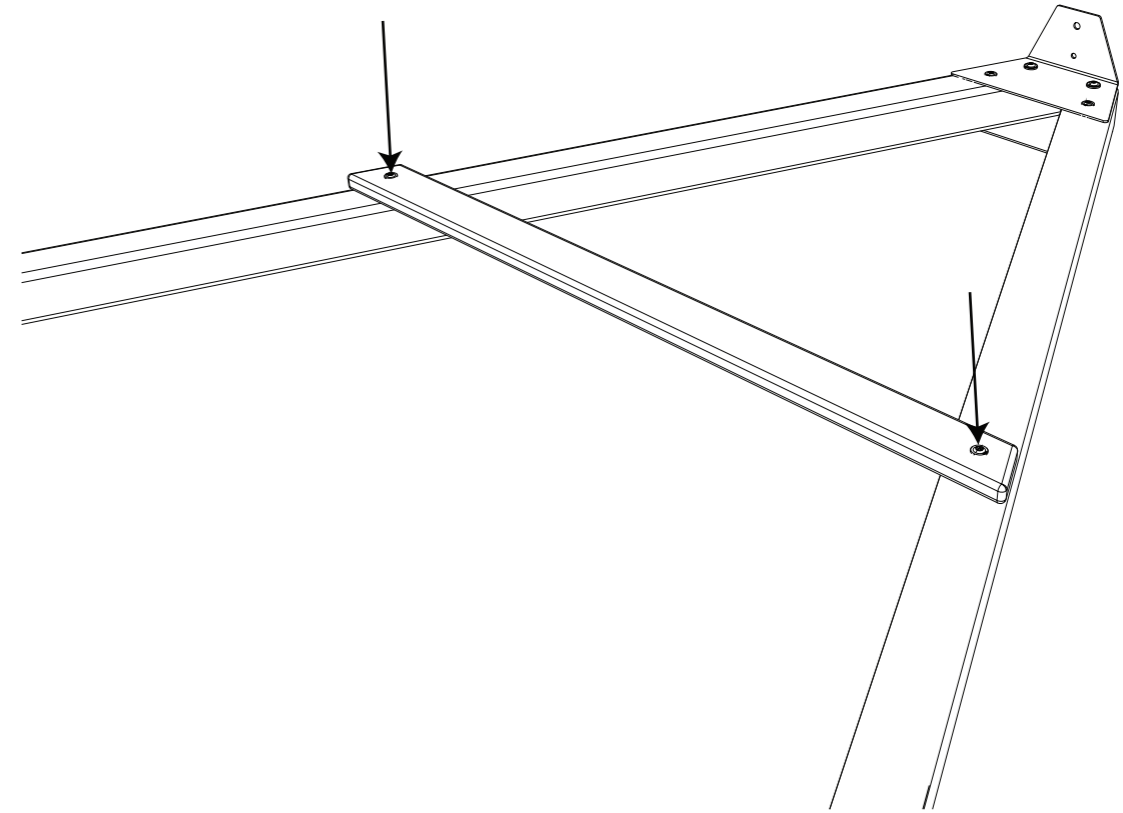
Step 16:

Stand the Tower Leg (002) Assembly upright.



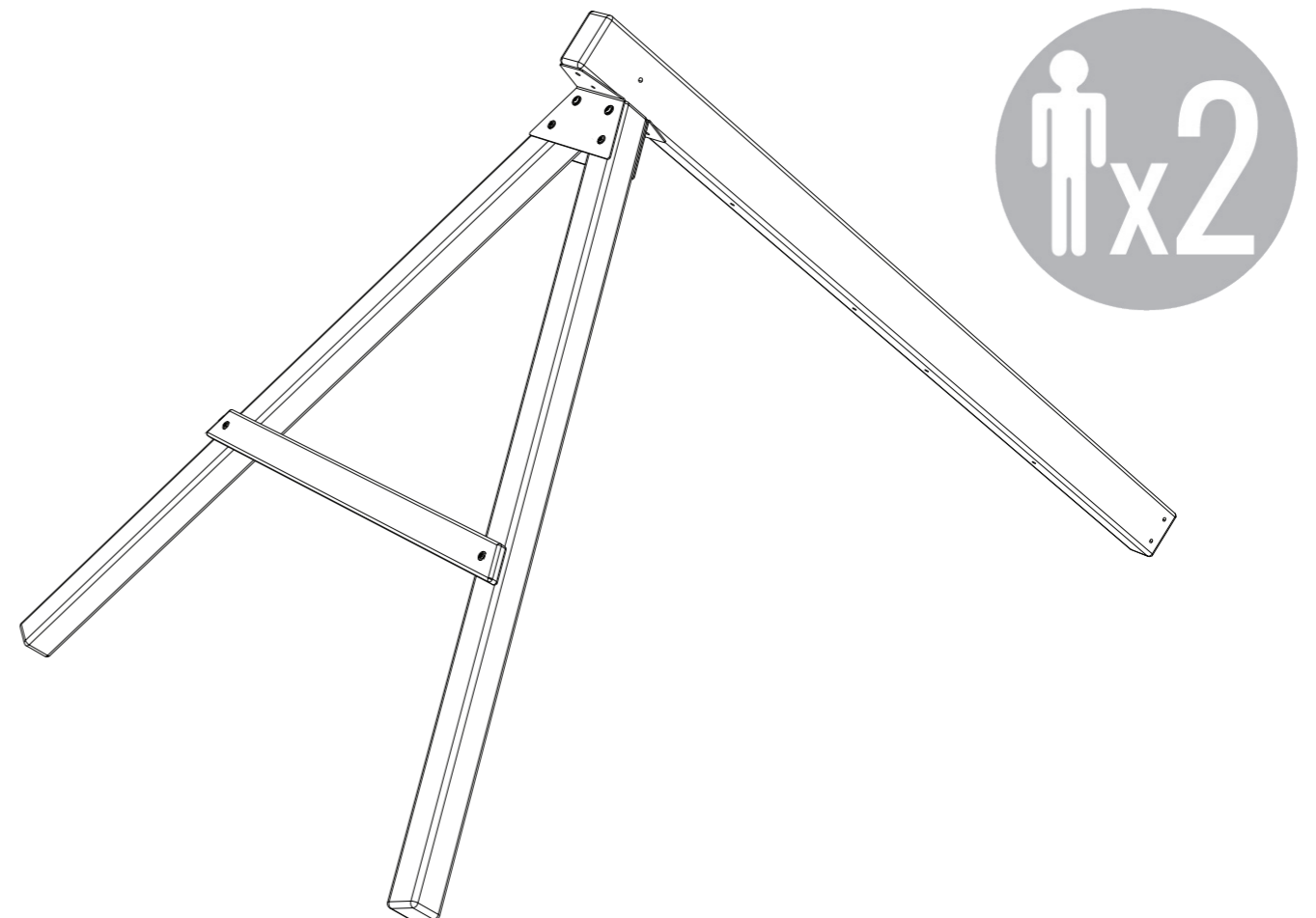
Step 89:

Attach (1) End Support (026) to the Beam Support Braces using (2) Screws (S120). The edges of the End Support should be flush with the edges of the Beam Support Braces.



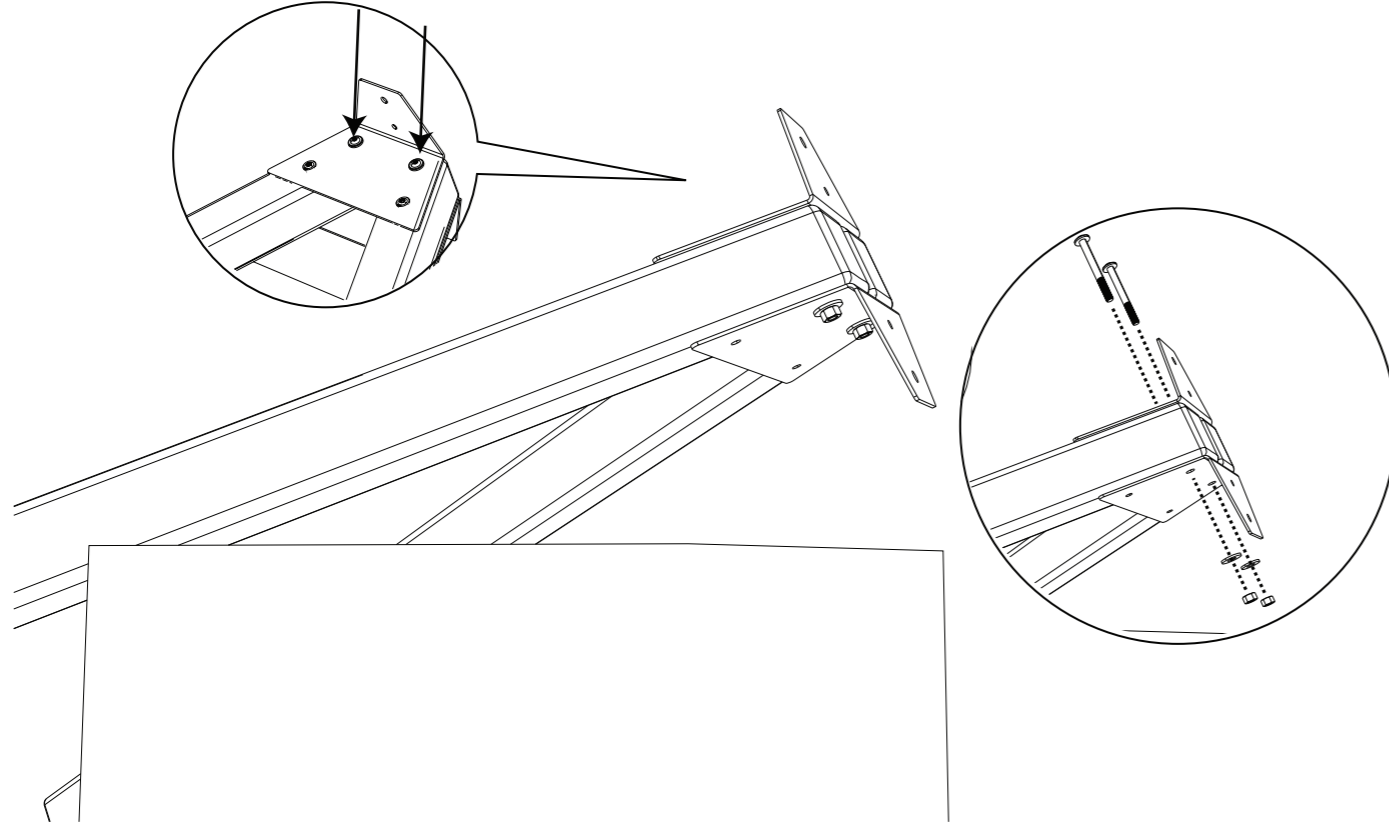
Step 90:

With the help of a second person, lift the A-Frame Assembly and place the Swing Beam (025) on the Brackets, aligning the holes.



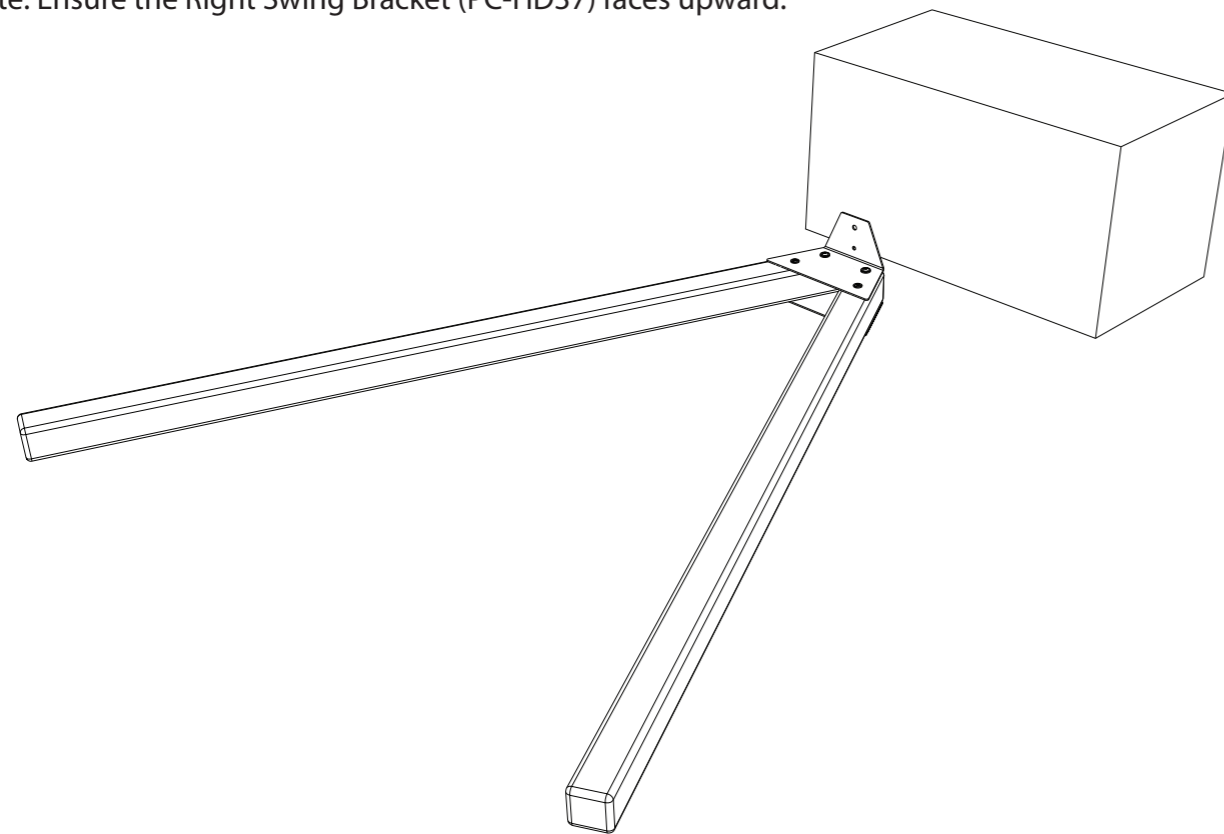
Step 87:

Place (1) Swing Bracket (PC-HD36) on the opposite side of the A-Frame Assembly. Attach the Brackets to the Beam Support Braces using the previously installed (2) Bolts (B161), (2) Washers (W08), and (2) Nuts (N12). Important: The Brackets must be aligned with the top and edges of the Beam Support Braces.



Step 88:

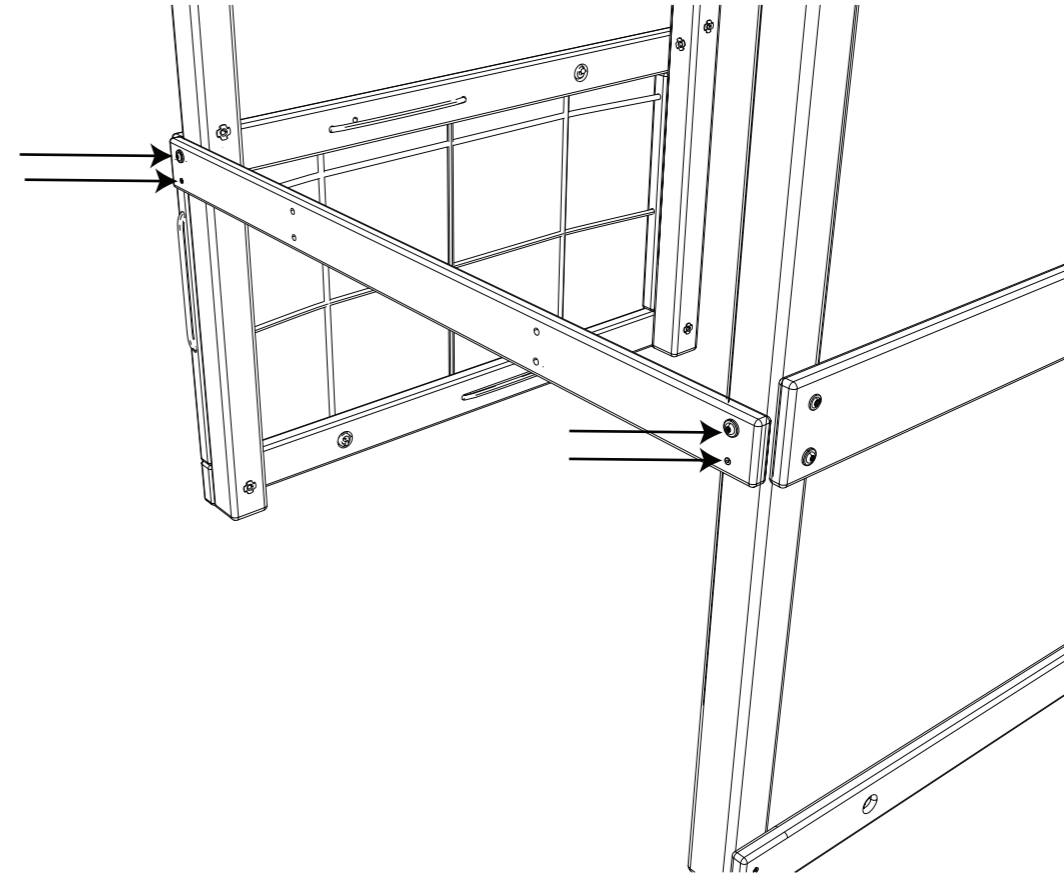
Carefully set the A-Frame Assembly on the ground.
Note: Ensure the Right Swing Bracket (PC-HD37) faces upward.



54

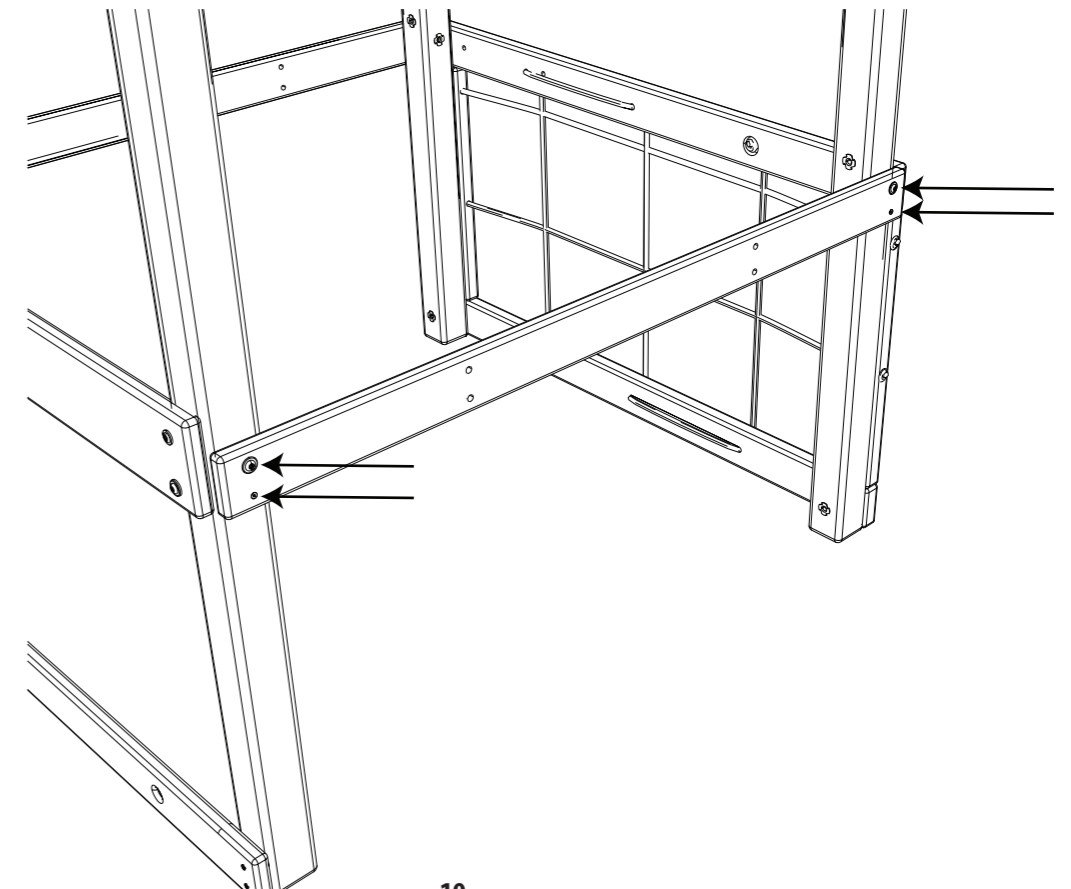
Step 17:

Attach (1) Rail Board (009) to Tower Legs (001) and (002) using (2) Bolts (B161) and (2) Screws (S92). The edges of the Rail Board should be flush with the edges of the Tower Legs and the bottom of the Rail Board (010).



Step 18:

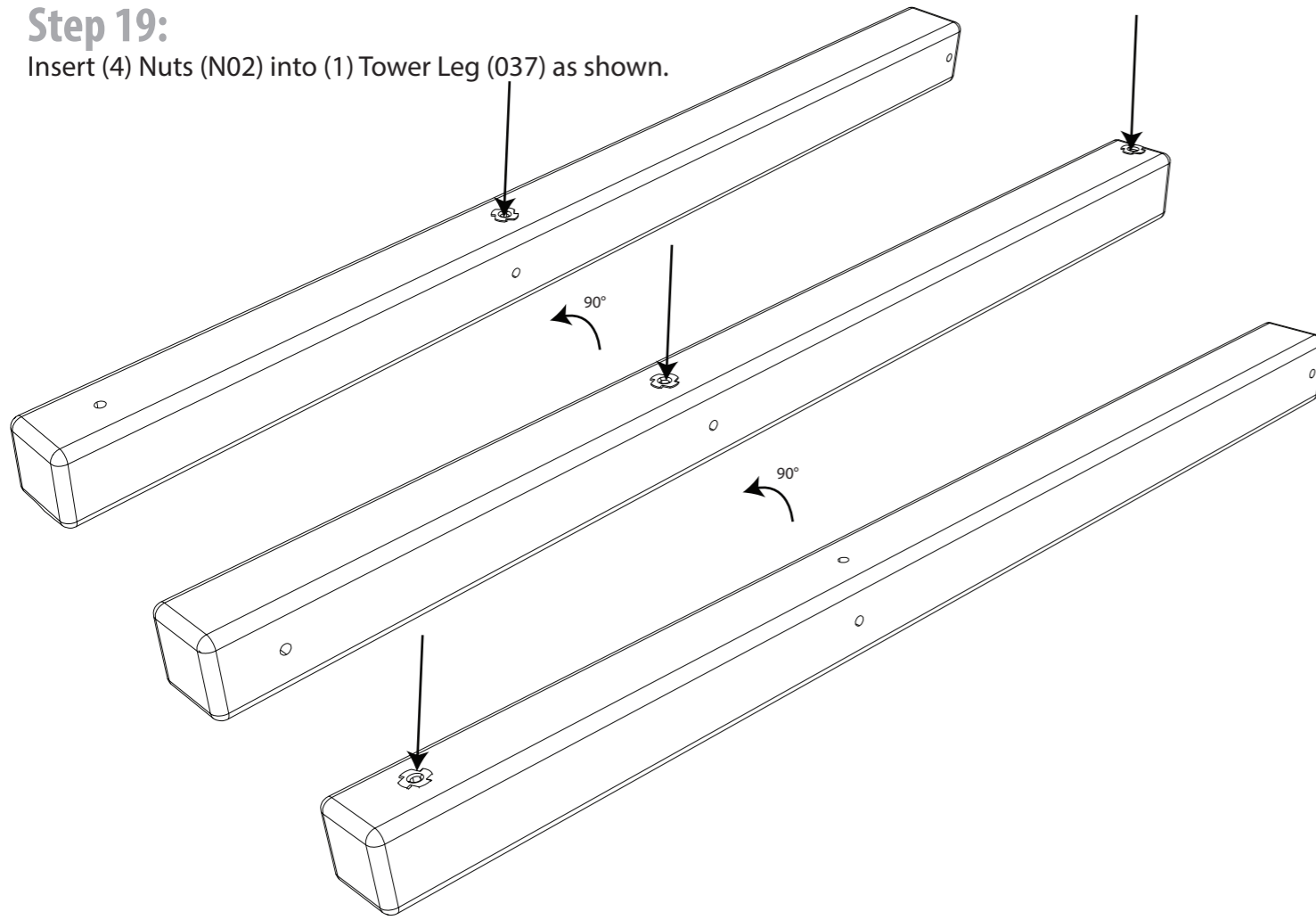
Attach (1) Rail Board (009) to Tower Legs (001) and (002) using (2) Bolts (B161) and (2) Screws (S92). The edges of the Rail Board should be flush with the edges of the Tower Legs and the bottom of the Rail Board (010).



19

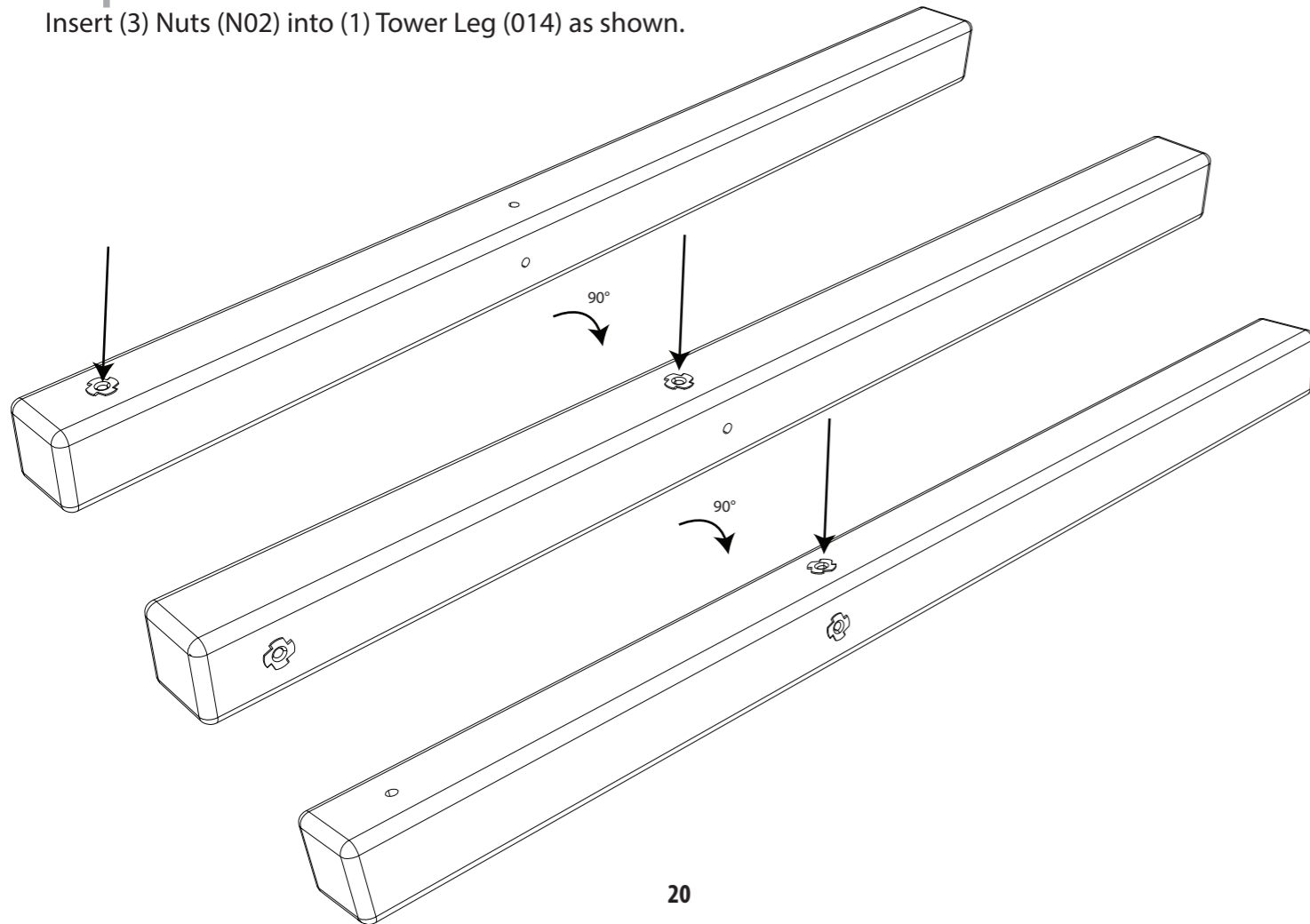
Step 19:

Insert (4) Nuts (N02) into (1) Tower Leg (037) as shown.



Step 20:

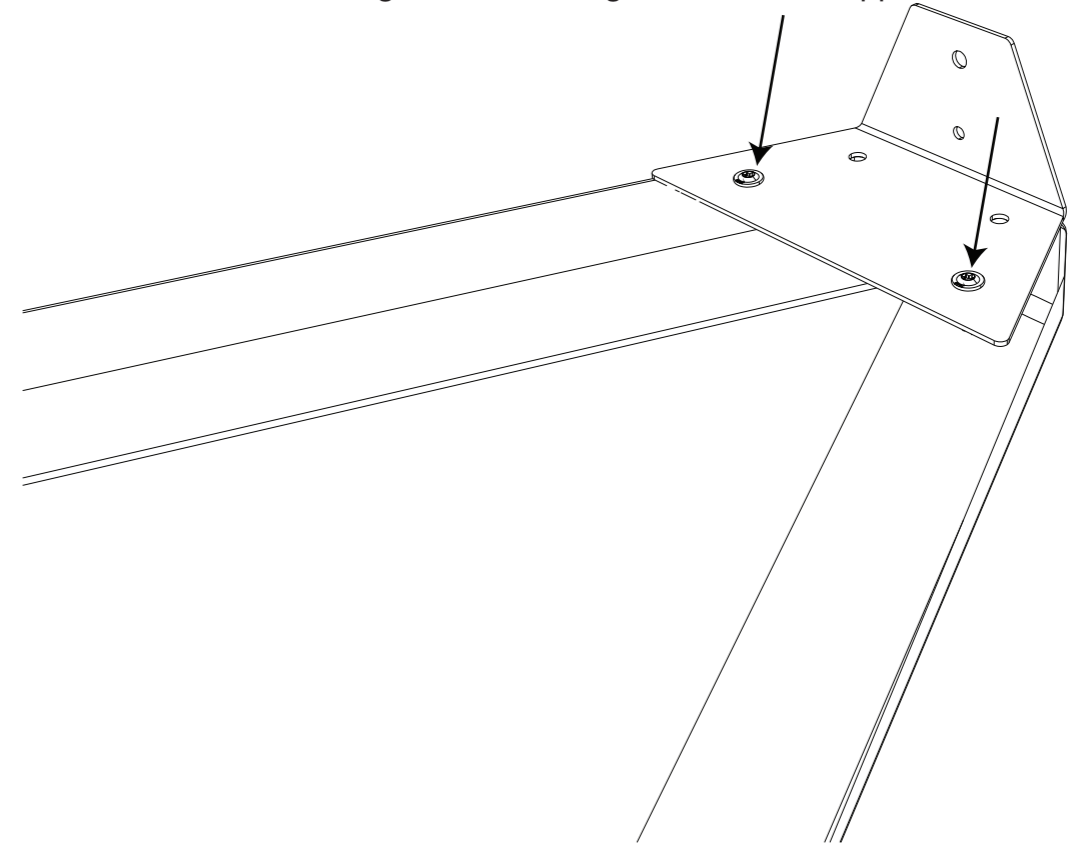
Insert (3) Nuts (N02) into (1) Tower Leg (014) as shown.



Step 85:

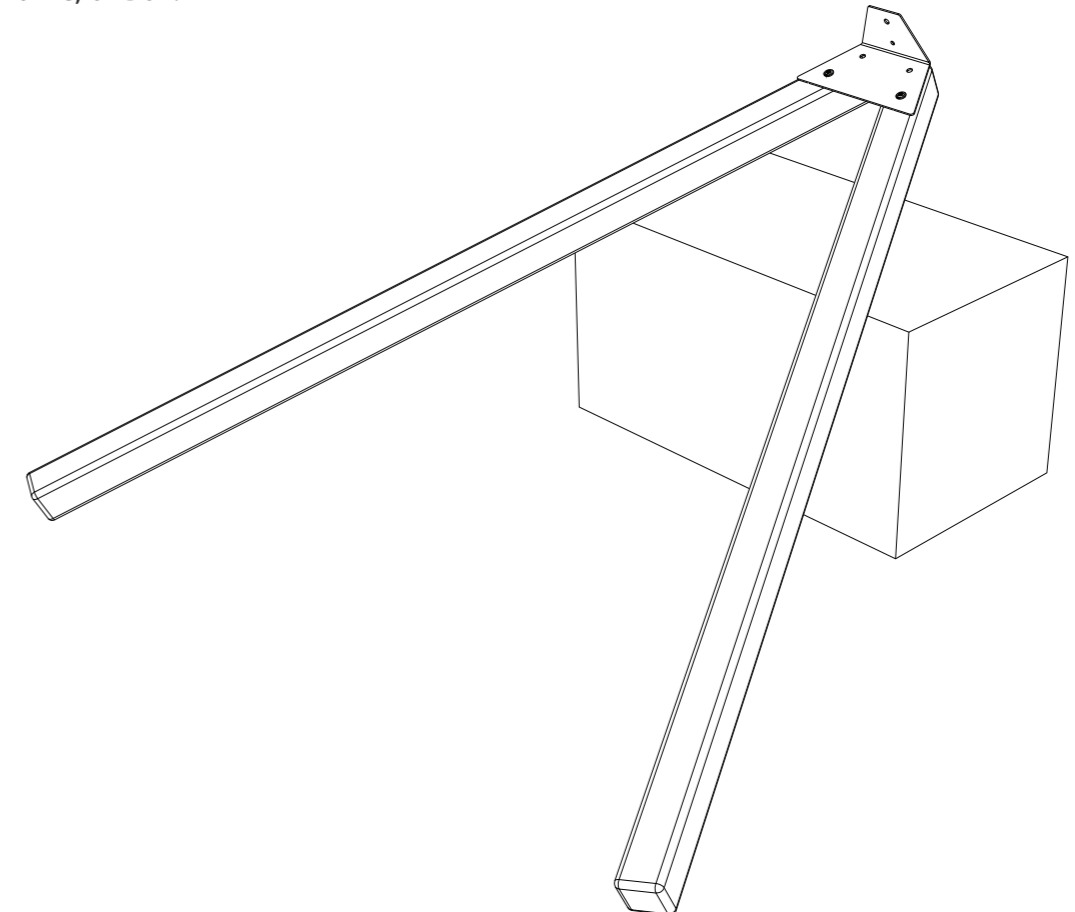
Insert (2) Bolts (B161) into the Bracket to ensure that the Bracket is aligned to the (2) Beam Support Braces. Attach the Bracket to the (2) Beam Support Braces using (2) Screws (S119).

Important: The Bracket must be aligned with the edges of the Beam Support Braces.



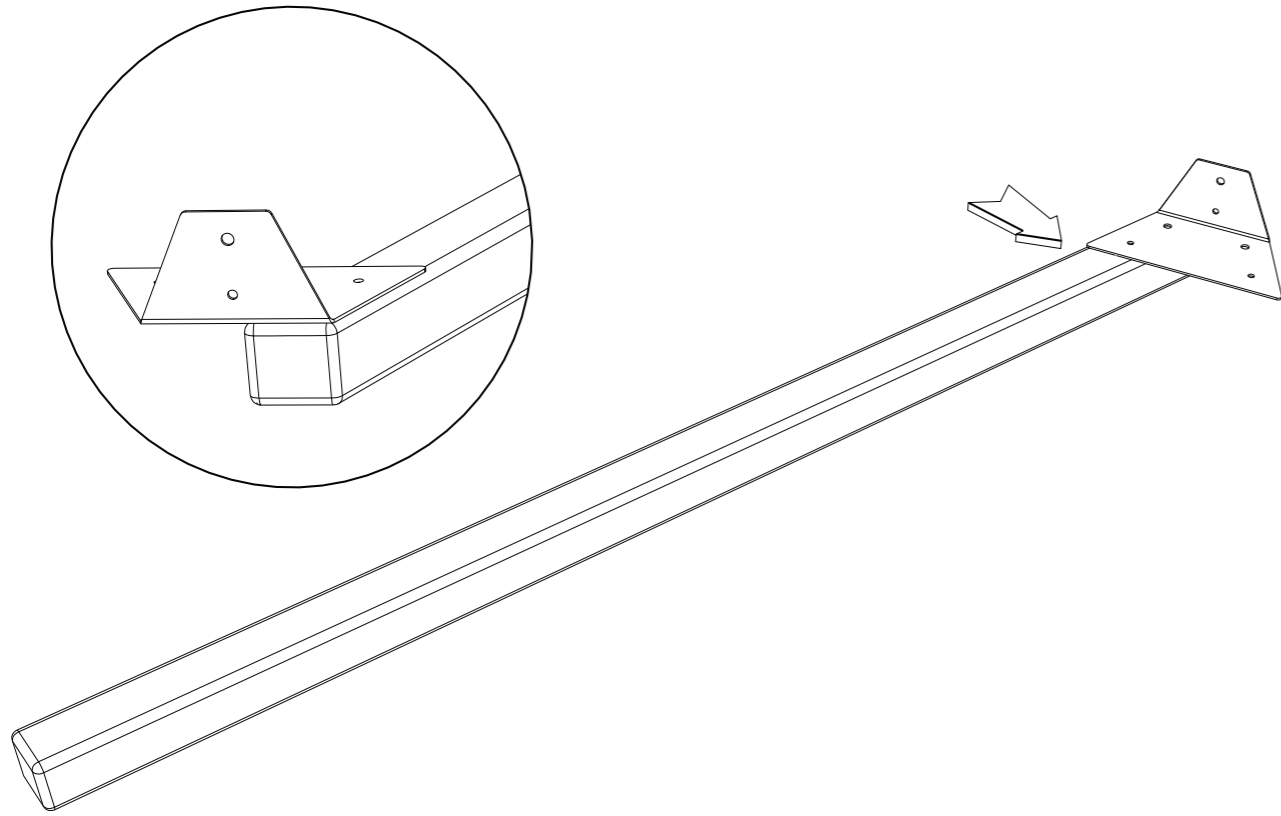
Step 86:

Carefully lift the A-Frame Assembly and lean it against a stable object that can support the weight such as a Table, A-Frame, or Box.



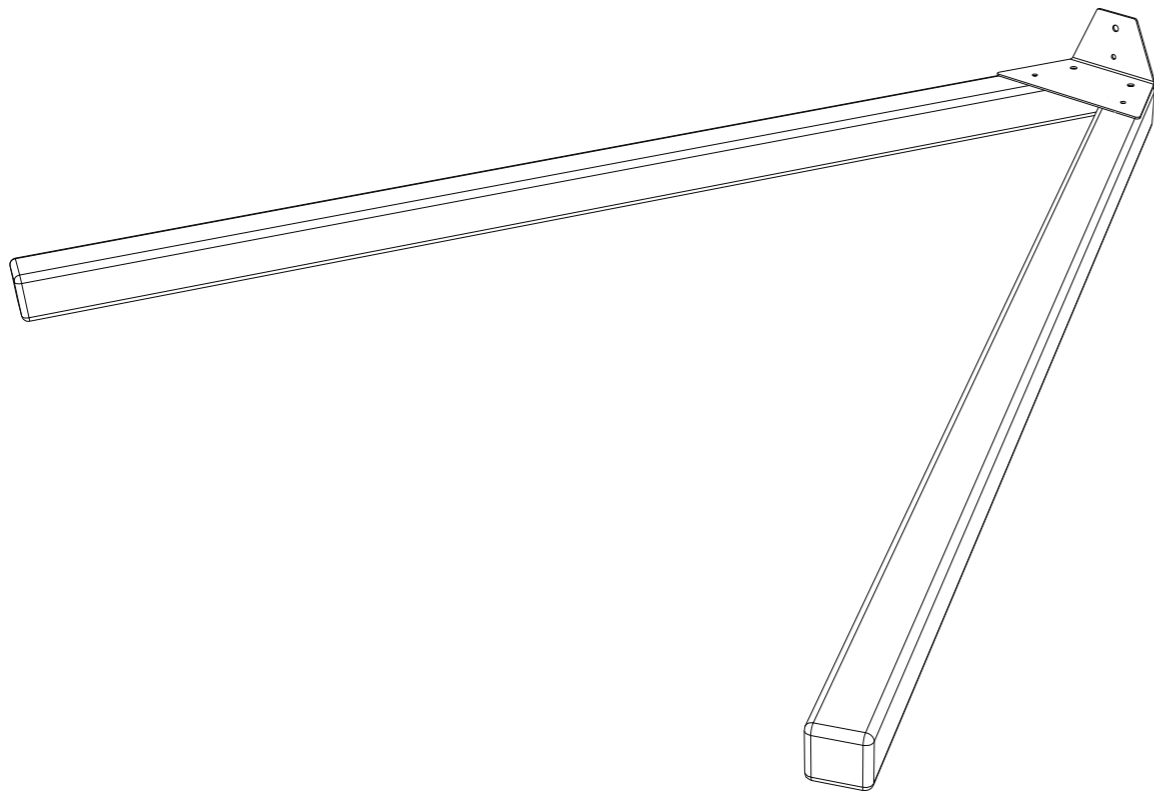
Step 83:

Place (1) Swing Bracket (PC-HD36) on (1) Beam Support Brace (027). Ensure that the top and side of the Bracket are aligned with the Beam Support Brace.



Step 84:

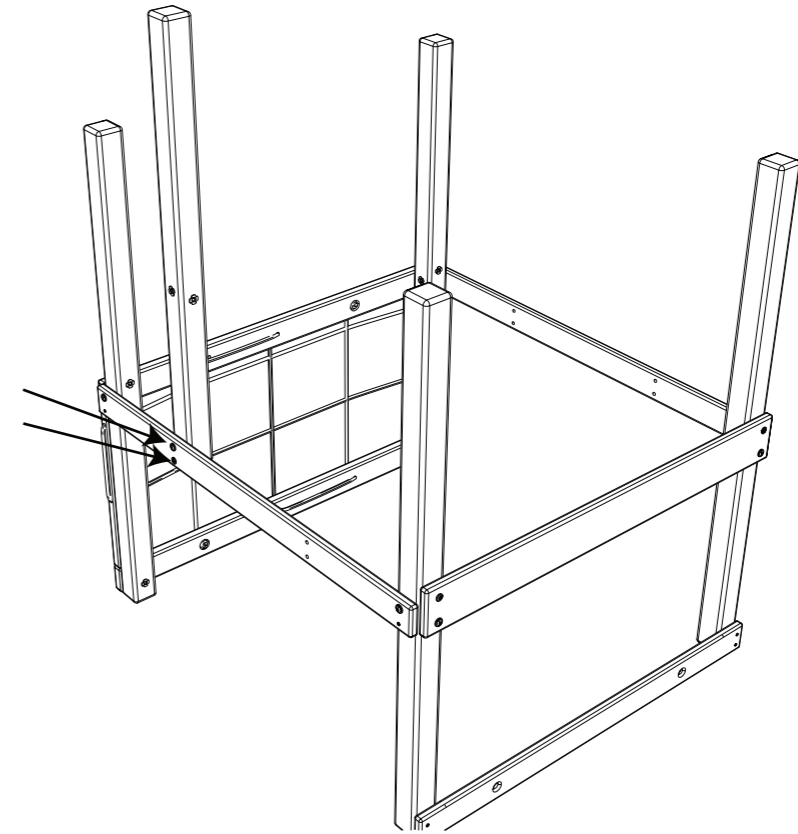
Align the second Beam Support Brace (027) so that the top and side are aligned with the Bracket.



Step 21:

Attach the Tower Leg (014) to the Rail Board (009) using (1) Bolt (B161) and (1) Screw (S120). The Tower Leg should be flush with the bottom of the Rail Board. Ensure that the previously installed Nuts (N02) are oriented as shown.

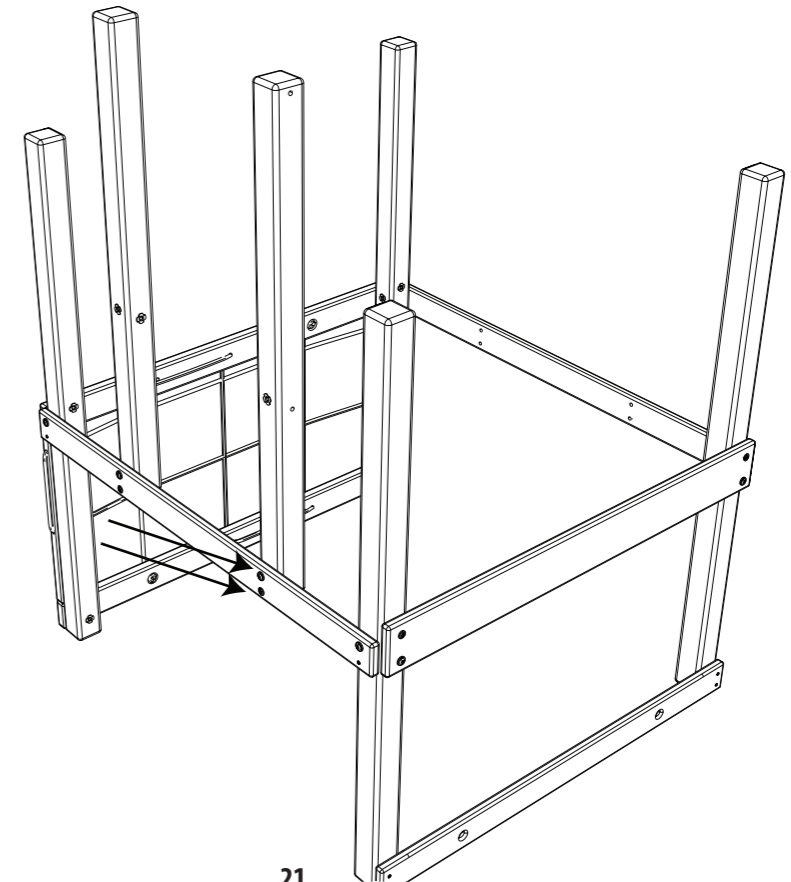
Note: Using a Level, check that the Tower Leg is vertically plumb.



Step 22:

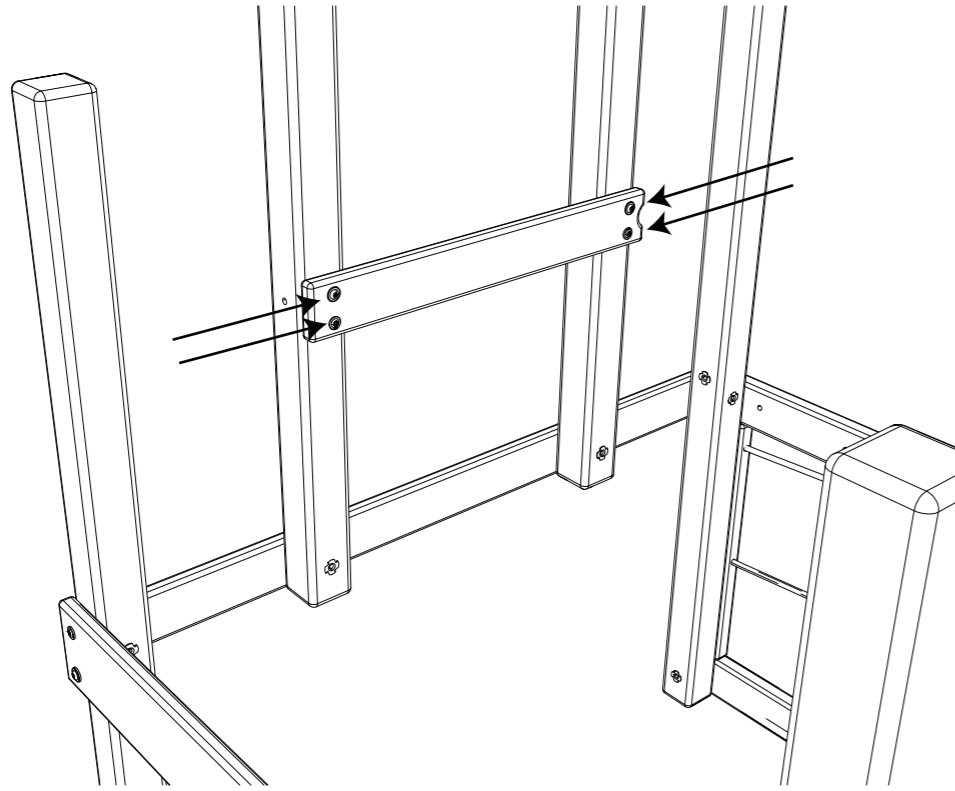
Attach the Tower Leg (037) to the Rail Board (009) using (1) Bolt (B161) and (1) Screw (S120). The Tower Leg should be flush with the bottom of the Rail Board. Ensure that the previously installed Nuts (N02) are oriented as shown.

Note: Using a Level, check that the Tower Leg is vertically plumb.



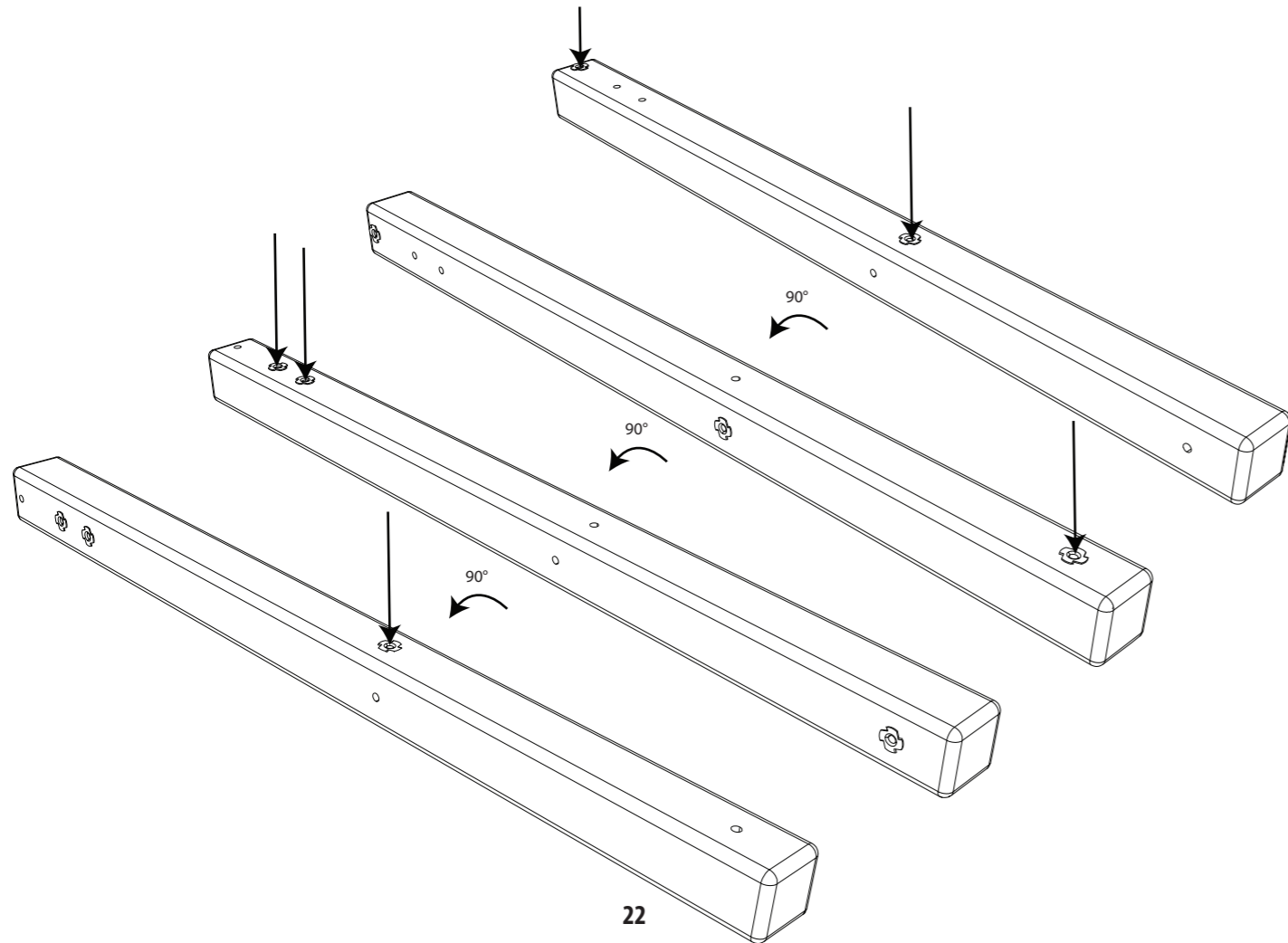
Step 23:

Attach (1) Floor Support (018) to the Tower Legs (037) and (014) using (2) Bolts (B161) and (2) Screws (S120). The Bolts should be placed on the top of the Floor Support. Ensure that the Floor Support is oriented with the cutout pointing to the Lower Cargo Net Frame.



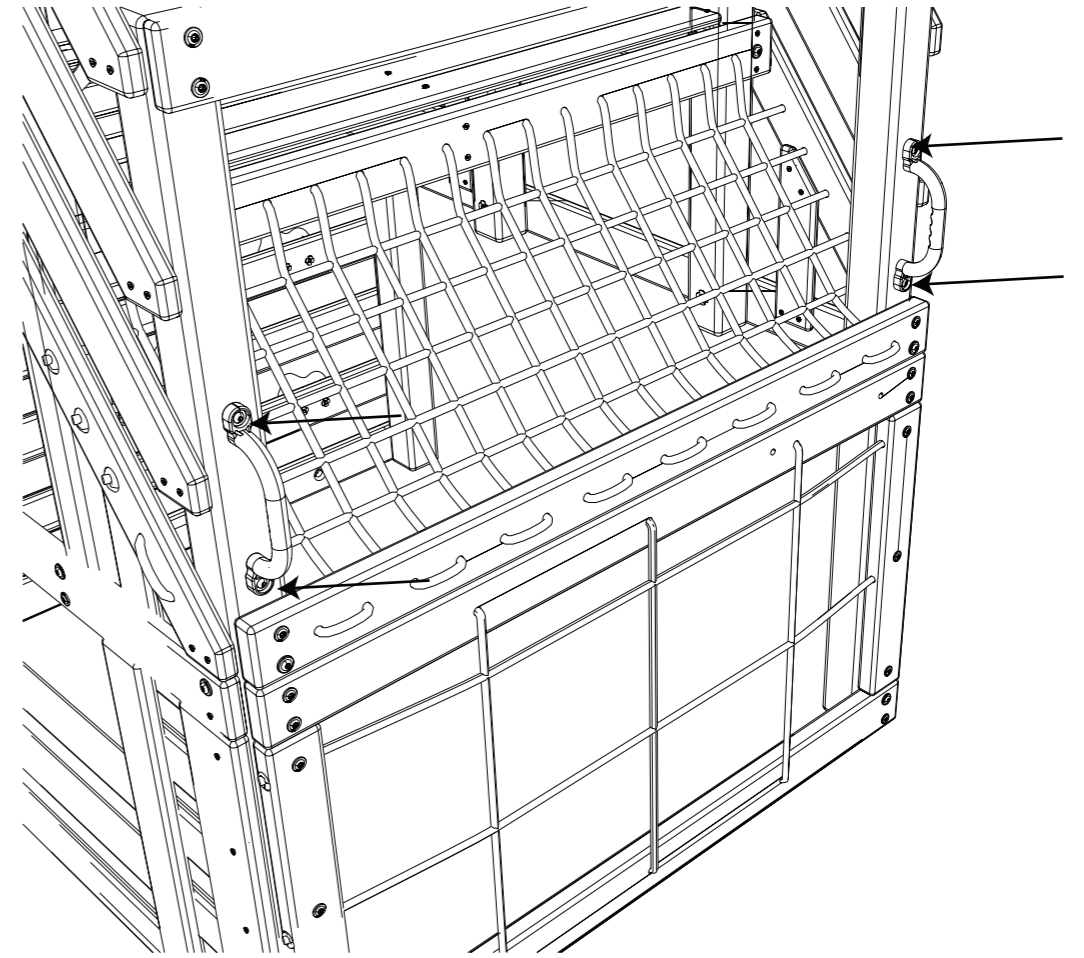
Step 24:

Insert (6) Nuts (N02) into (1) Tower Leg (015) as shown.



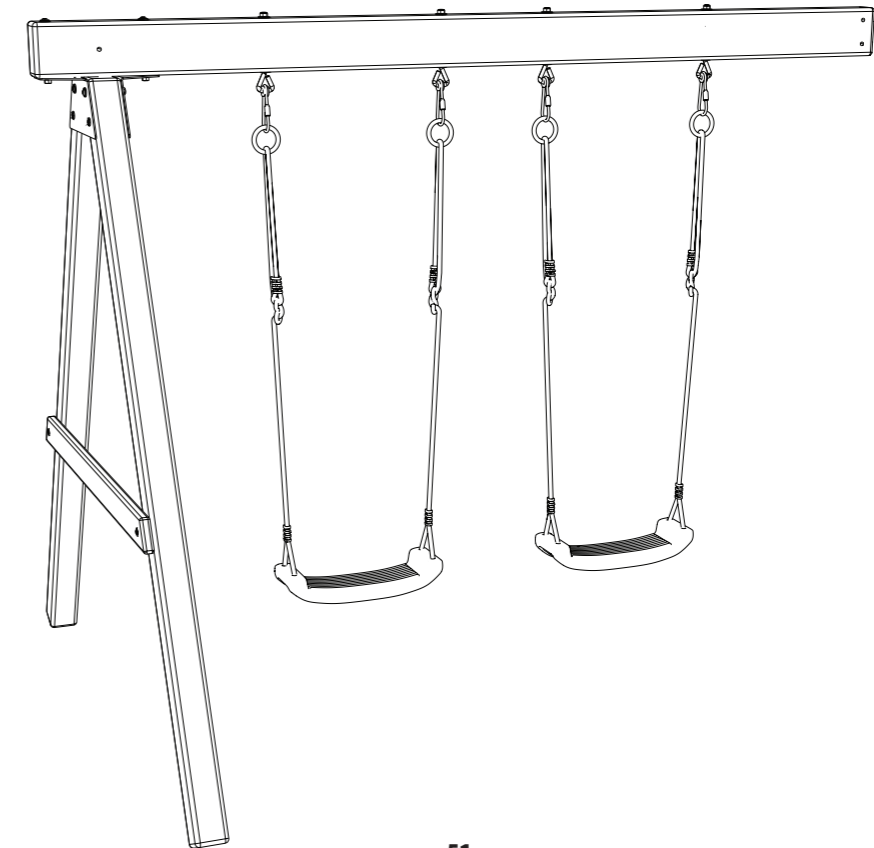
Step 81:

Attach (1) Handle to each Tower Leg (002) using (4) Washers and (4) Screws.



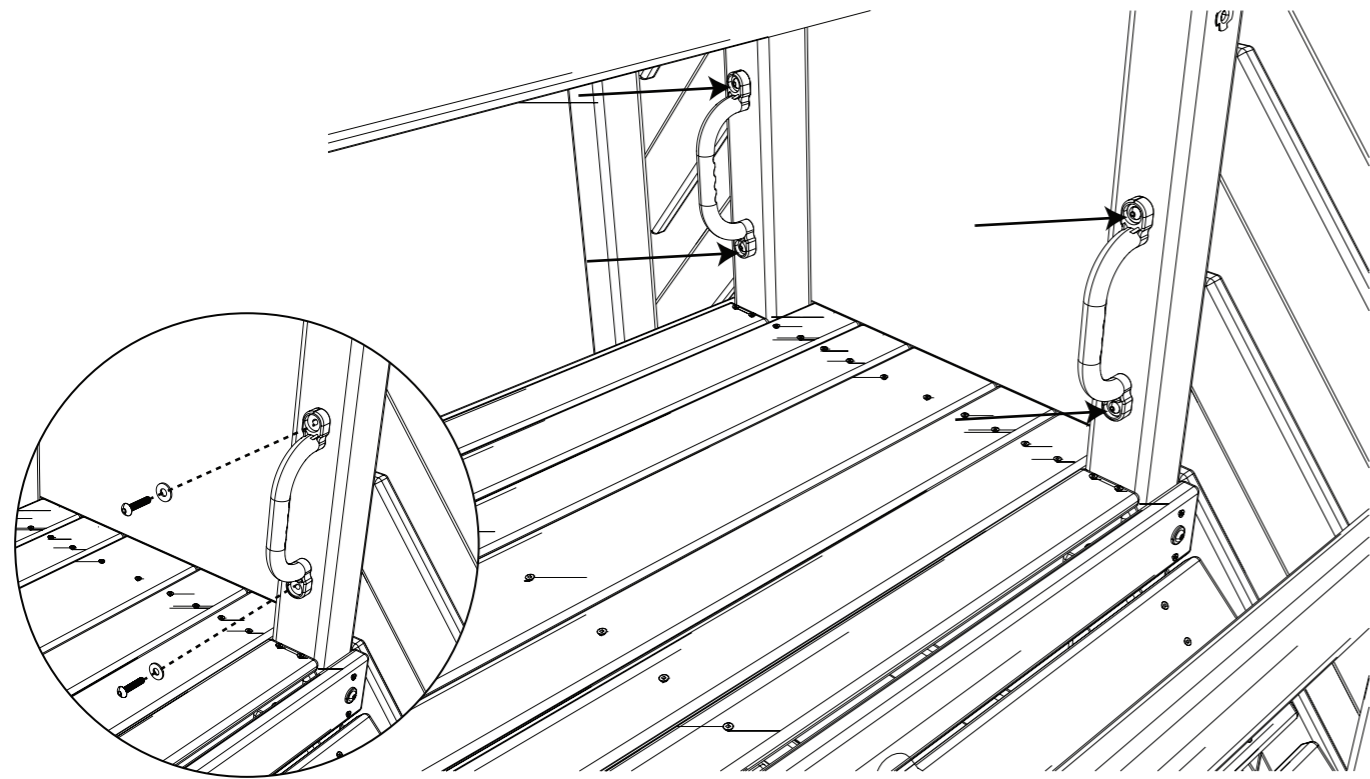
Step 82:

The following steps will guide you through the Swing Beam Assembly.



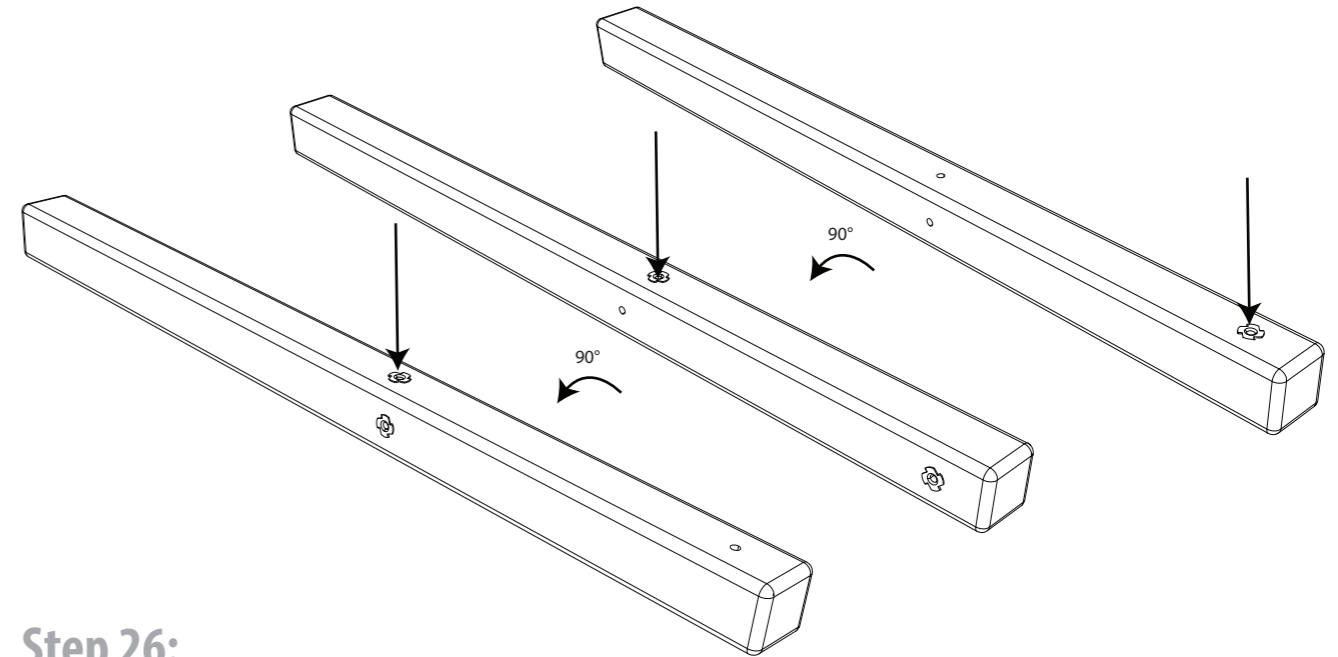
Step 79:

Attach (1) Handle to the Tower Leg (014) using (2) Washers and (2) Screws. Attach (1) Handle to the Tower Leg (015) using (2) Washers and (2) Screws.



Step 25:

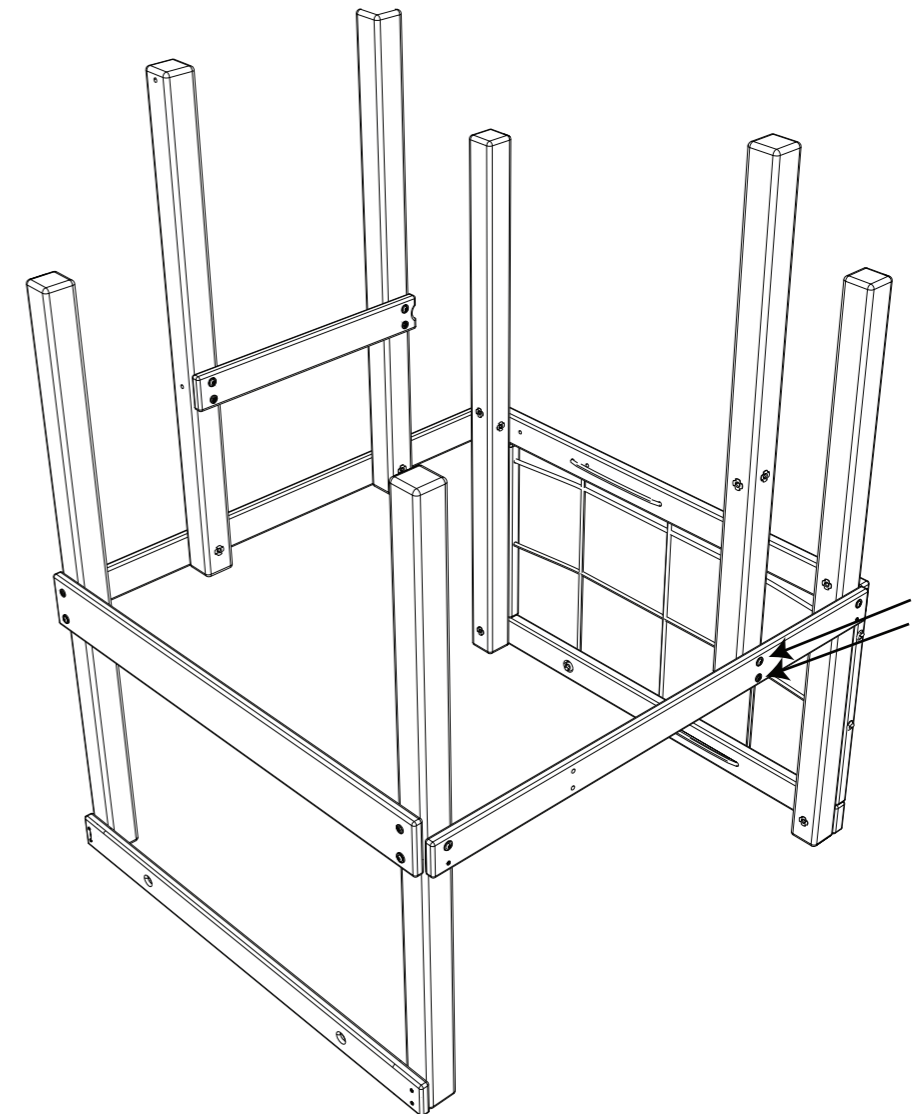
Insert (3) Nuts (N02) into (1) Tower Leg (014) as shown.



Step 26:

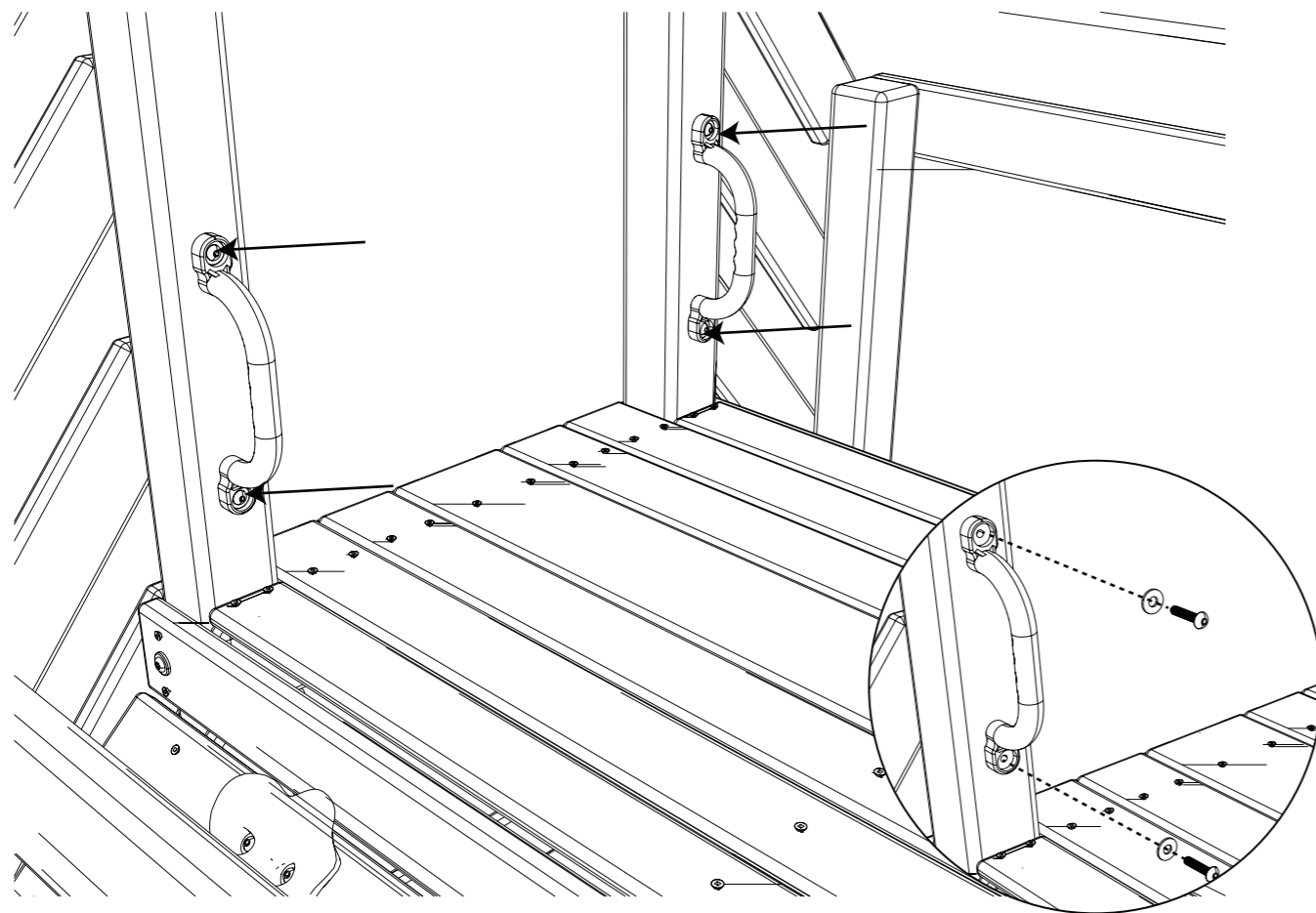
Attach the Tower Leg (014) to the Rail Board (009) using (1) Bolt (B161) and (1) Screw (S120). The Tower Leg should be flush with the bottom of the Rail Board. Ensure that the previously installed Nuts (N02) are oriented as shown.

Note: Using a Level, check that the Tower Leg is vertically plumb.



Step 80:

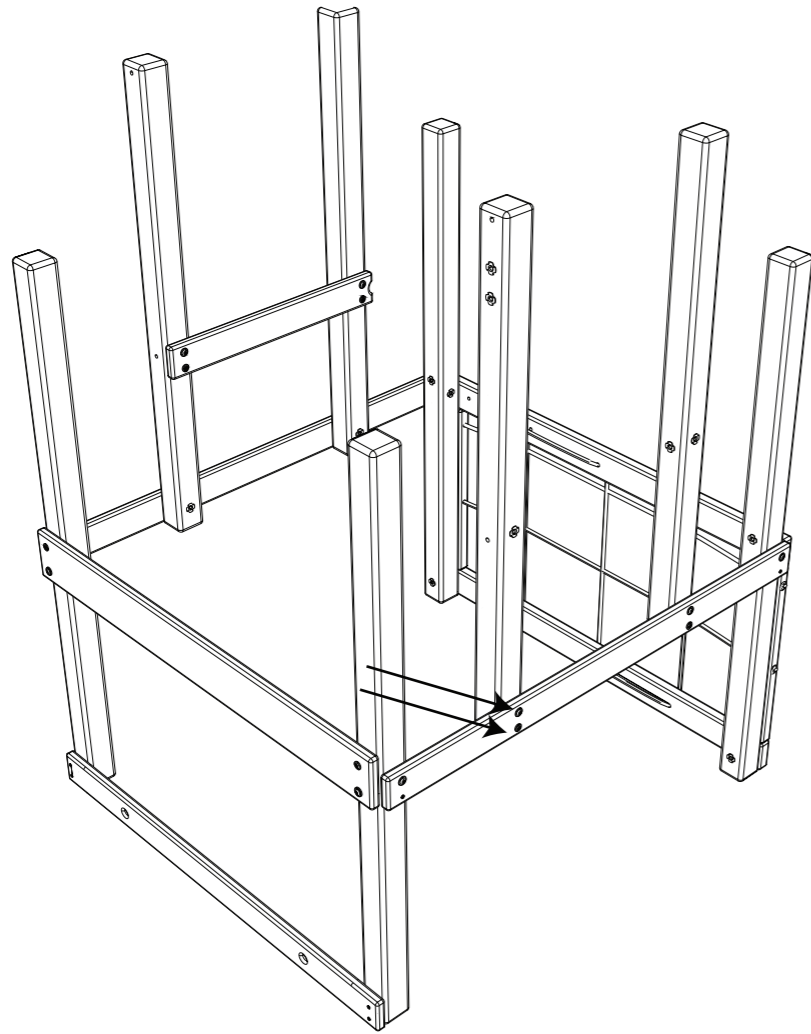
Attach (1) Handle to the Tower Leg (037) using (2) Washers and (2) Screws. Attach (1) Handle to the Tower Leg (014) using (2) Washers and (2) Screws.



Step 27:

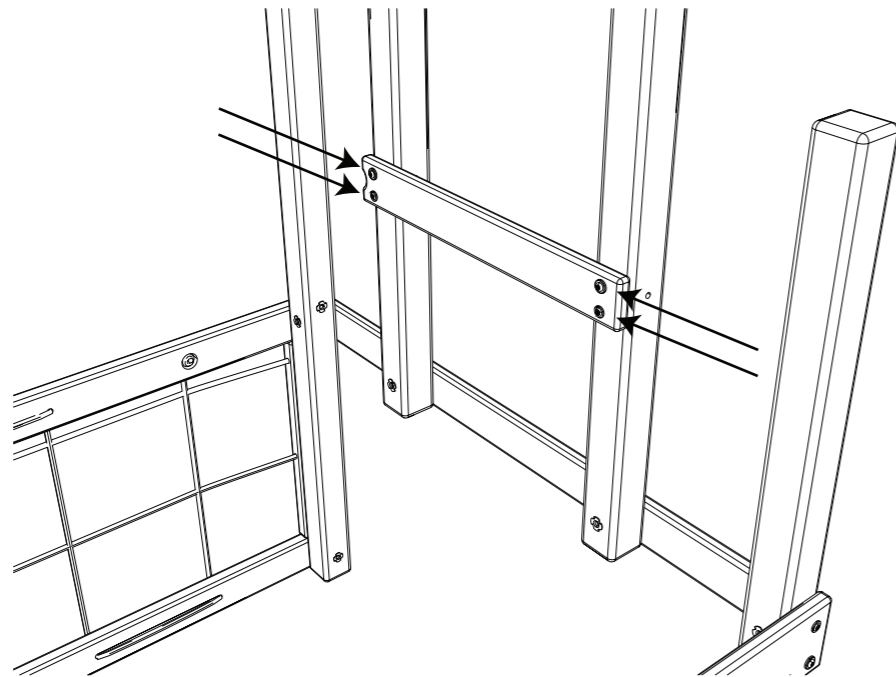
Attach the Tower Leg (015) to the Rail Board (009) using (1) Bolt (B161) and (1) Screw (S120). The Tower Leg should be flush with the bottom of the Rail Board. Ensure that the previously installed Nuts (N02) are oriented as shown.

Note: Using a Level, check that the Tower Leg is vertically plumb.



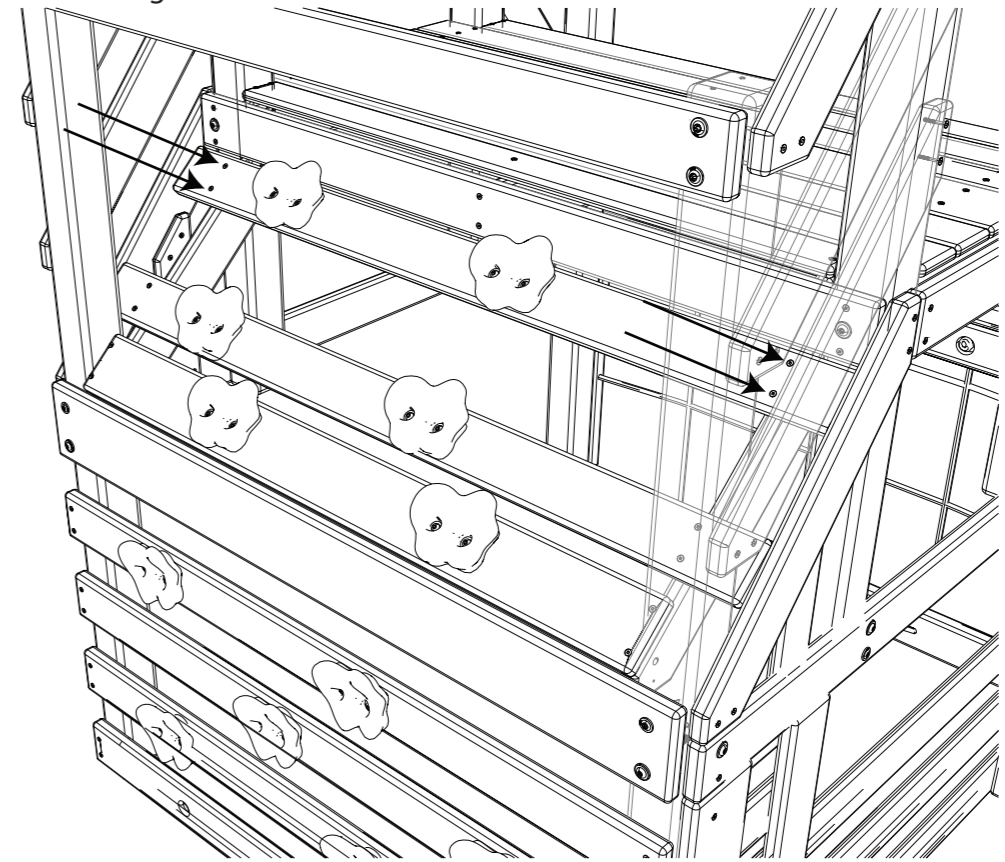
Step 28:

Attach (1) Floor Support (018) to the Tower Legs (014) and (015) using (2) Bolts (B161) and (2) Screws (S120). The Bolts should be placed on the top of the Floor Support. Ensure that the Floor Support is oriented with the cutout pointing to the Lower Cargo Net Frame.



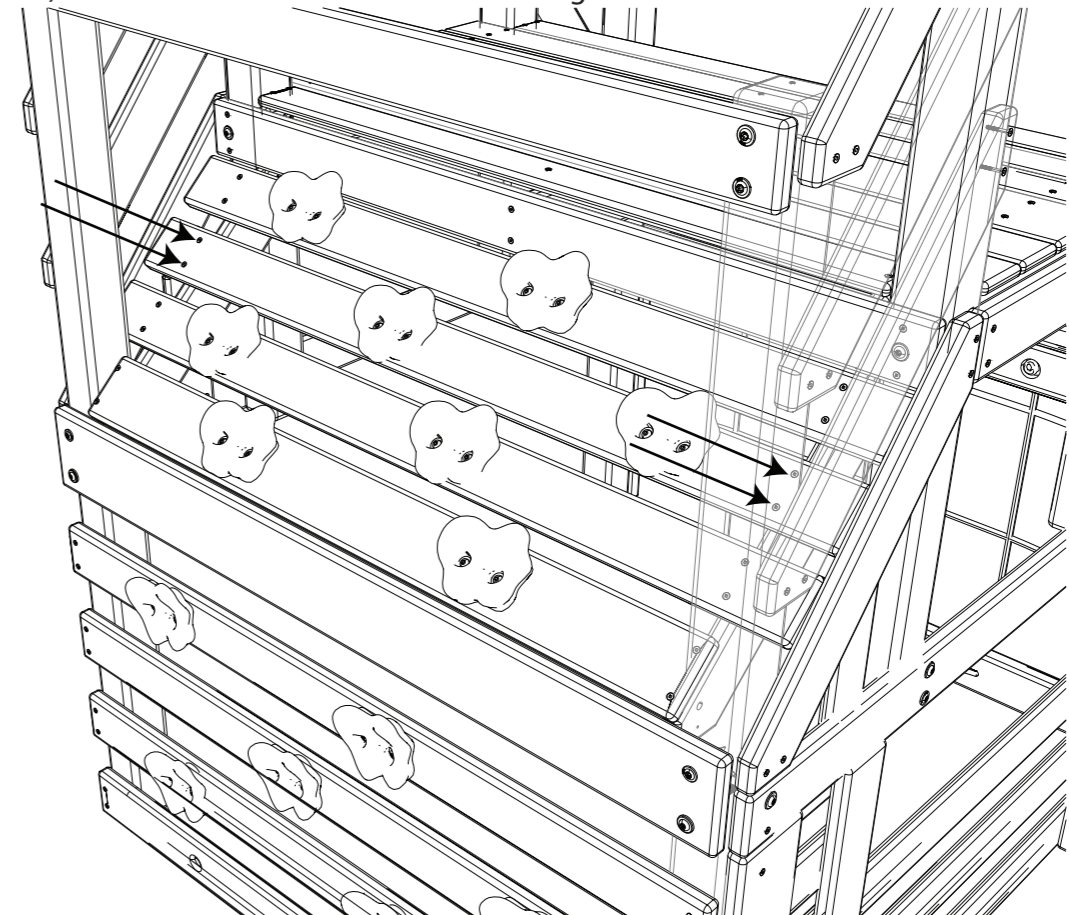
Step 77:

Attach (1) Climbing Wall Board Assembly (038) to the (2) Braces (033) using (4) Screws (S92). Ensure the Climbing Wall Board Assembly is flush against the Floor Rail (036). Alternate the locations of the Climbing Rocks.



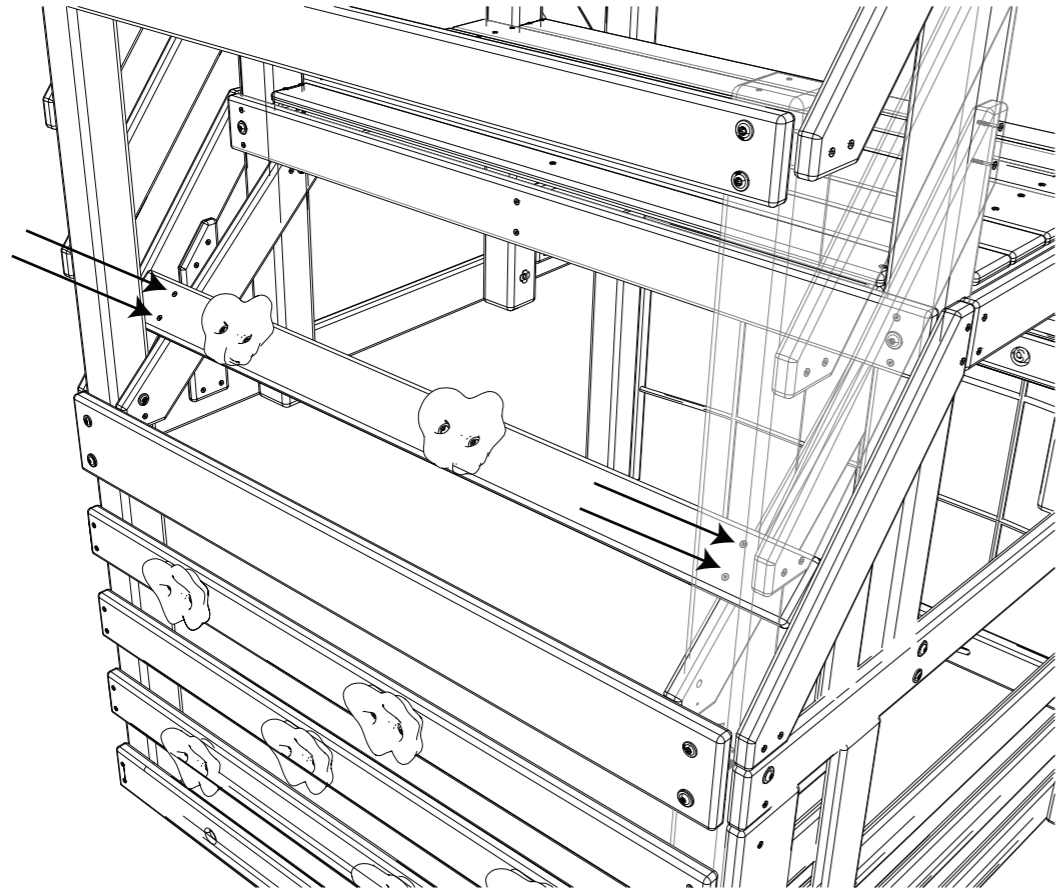
Step 78:

Evenly space and attach (1) Climbing Wall Board Assembly (038) to the (2) Braces (033) using (4) Screws (S92). Alternate the locations of the Climbing Rocks.



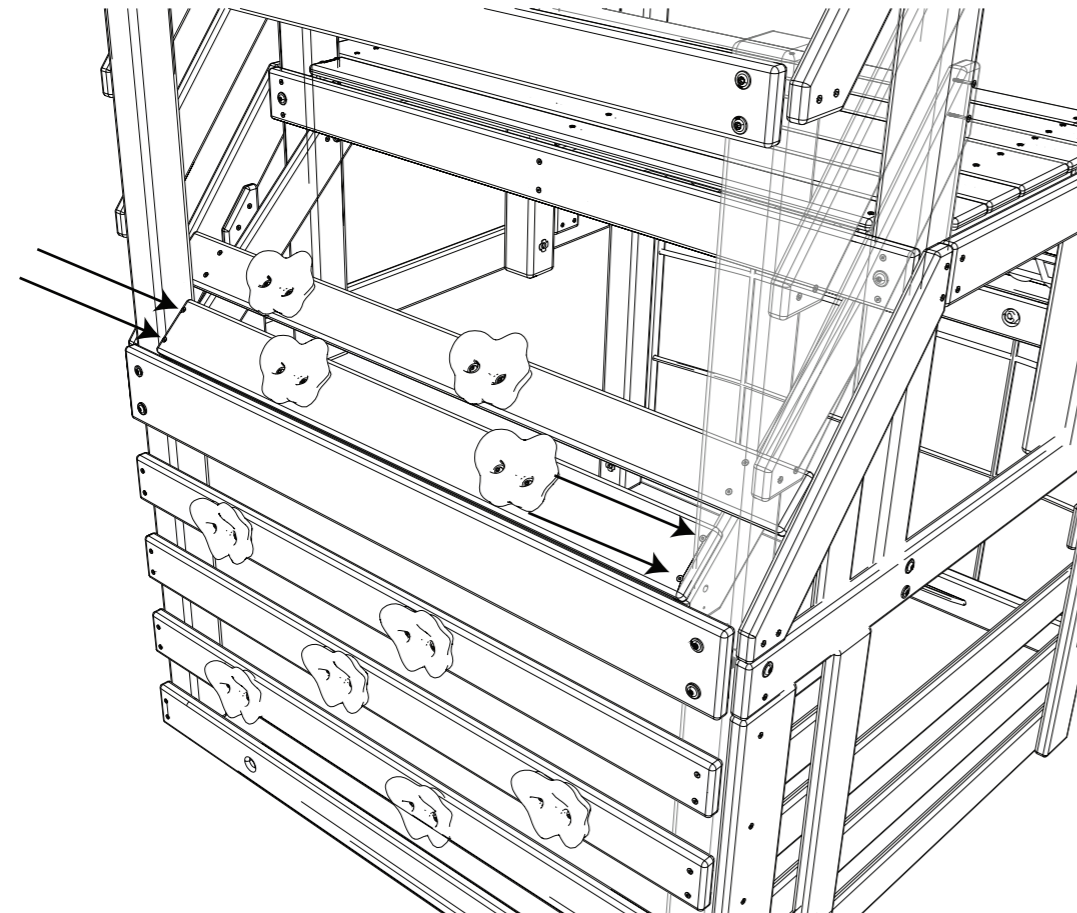
Step 75:

Attach (1) Climbing Wall Board Assembly (038) to the (2) Braces (033) using (4) Screws (S92). Ensure the Climbing Wall Board Assembly is flush against the Tower Legs (001).



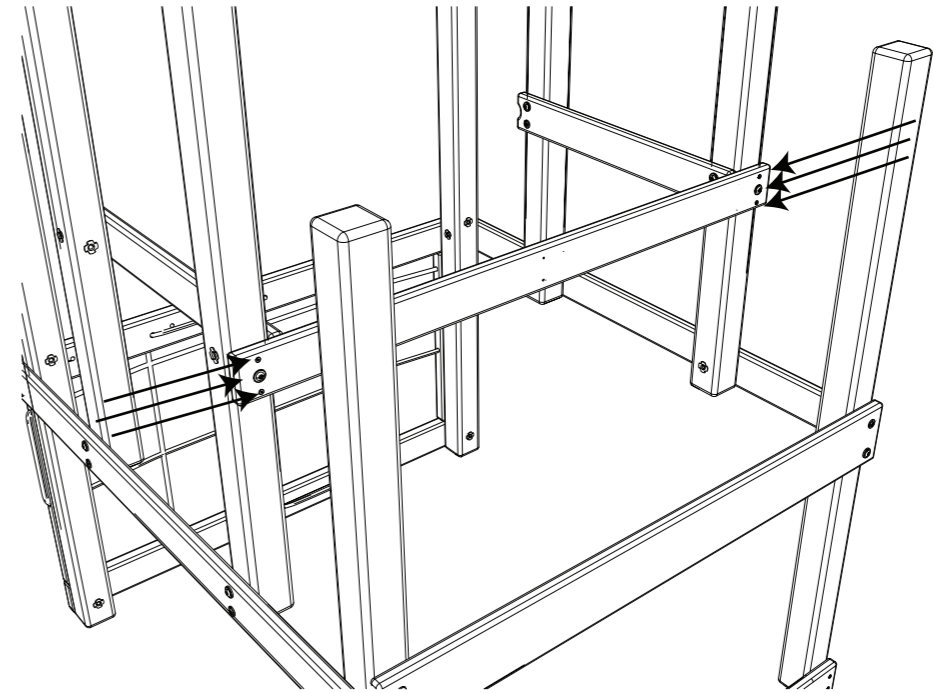
Step 76:

Attach (1) Climbing Wall Board Assembly (034) to the (2) Braces (033) using (4) Screws (S92). Align the Climbing Wall Board with the Rail Board (010).



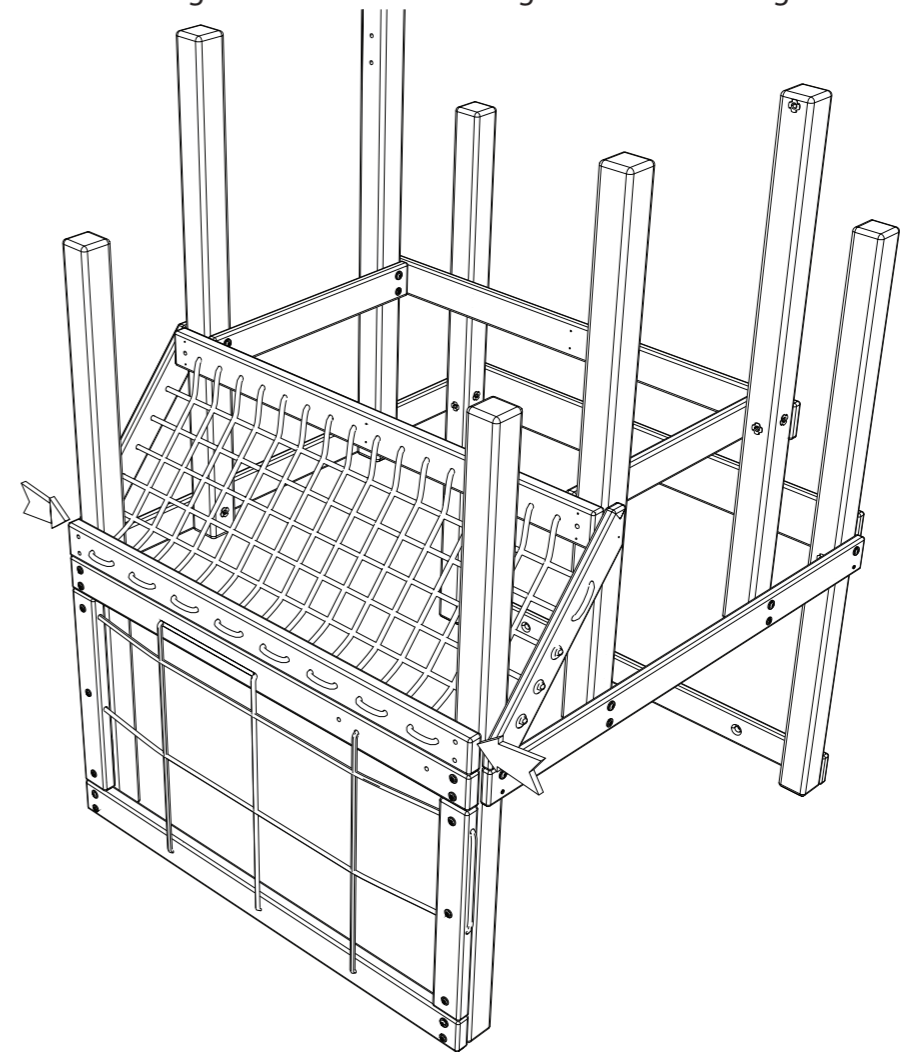
Step 29:

Attach (1) Floor Rail (036) to the Tower Legs (037) and (015) using (2) Bolts (B161) and (4) Screws (S92). The edges of the Floor Rail should be flush with the edges of the Tower Legs.



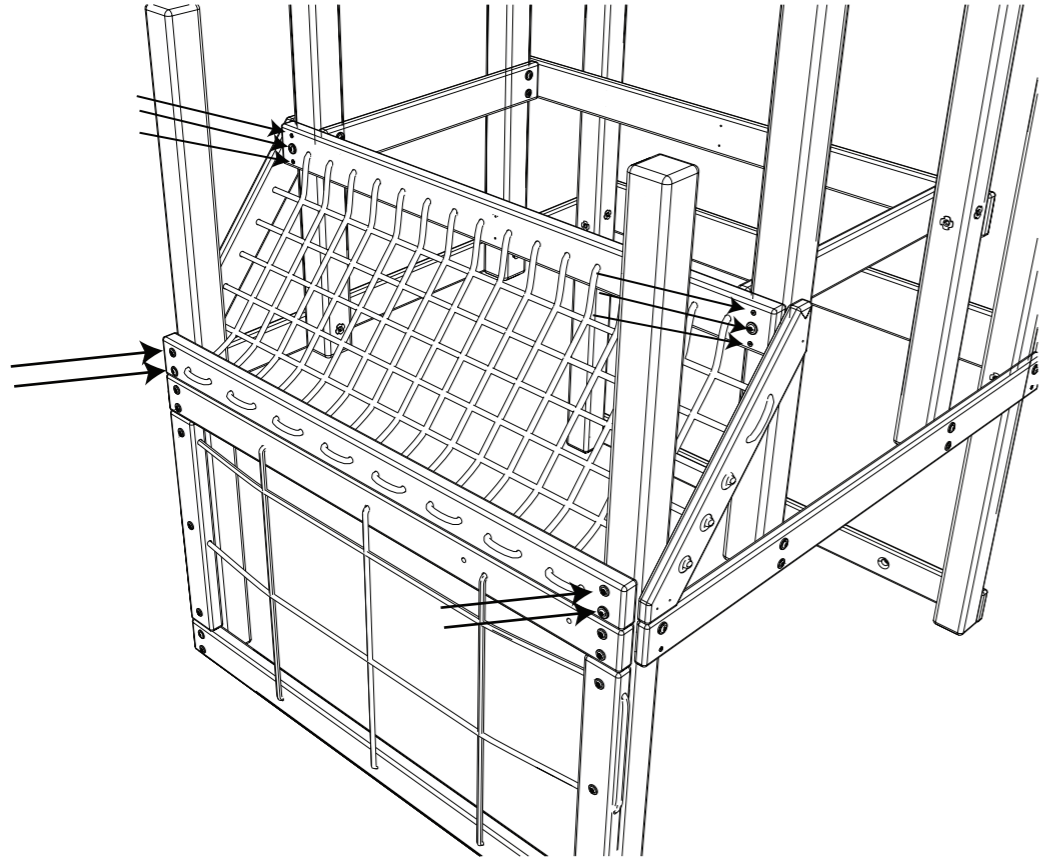
Step 30:

Place (1) Upper Cargo Net Frame (PC-AC40) on the Fort Assembly above the Lower Cargo Net Frame. The upper Board should align with the (2) Floor Supports (018) and have (6) pilot holes. The side Boards should align with the (2) Rail Boards (009). The lower Board should align with the upper Board on the Lower Cargo Net Frame and the edges of the Tower Legs.



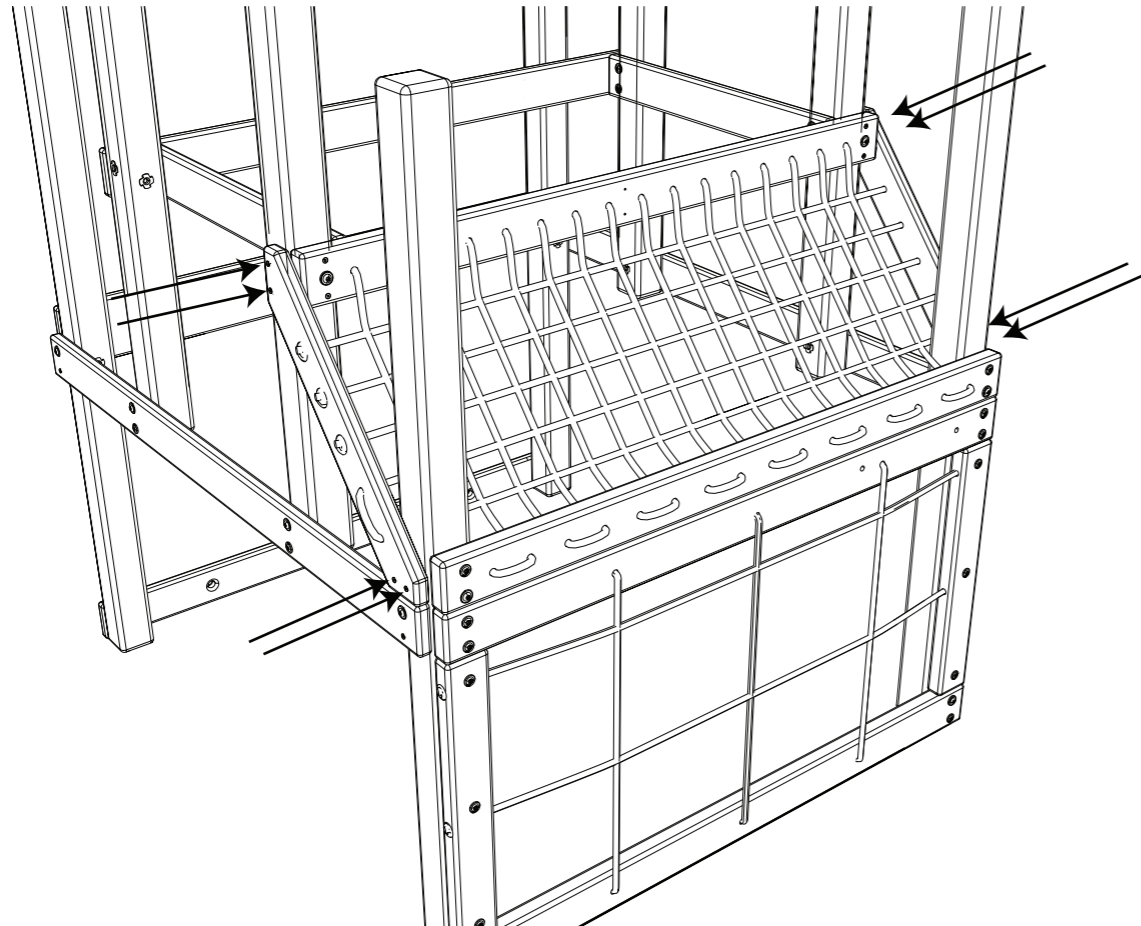
Step 31:

Attach the Upper Cargo Net Frame to the Tower Legs (014) using (2) Bolts (B163) and (4) Screws (S97). Attach the Upper Cargo Net Frame to the Tower Legs (002) using (2) Bolts (B163) and (2) Screws (120).



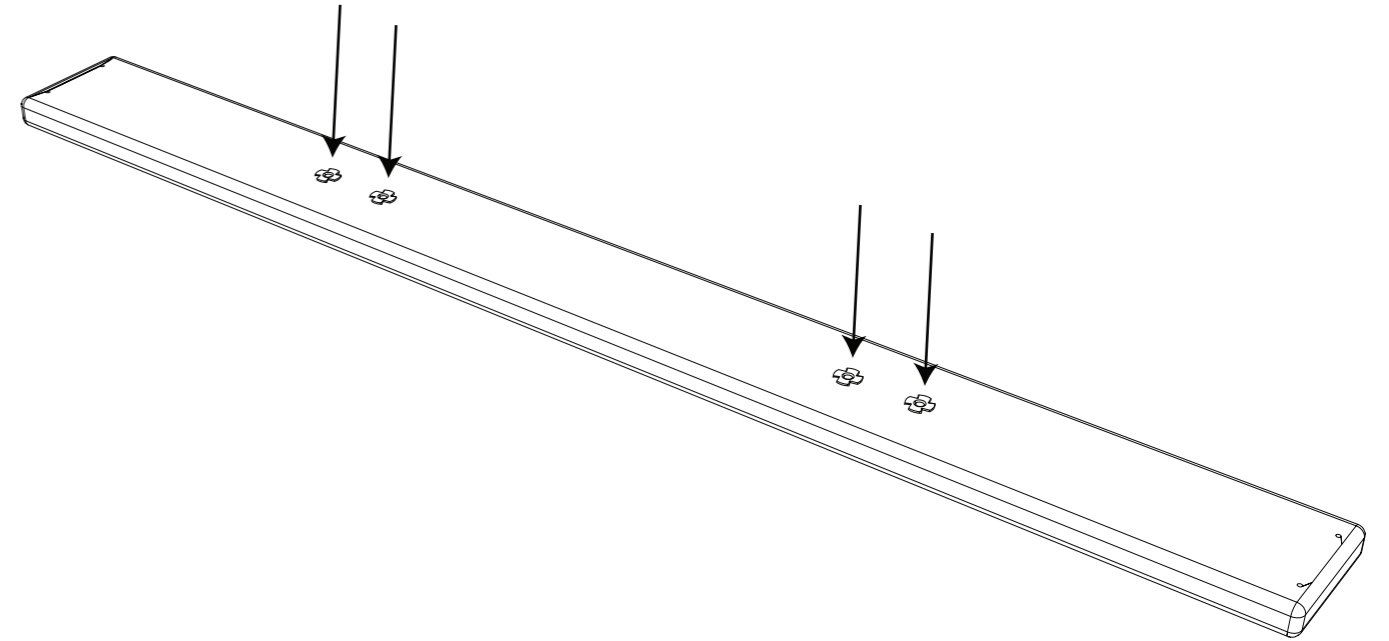
Step 32:

Secure the Upper Cargo Net Frame to the Tower Legs (014) and (002) using (8) Screws (S92).



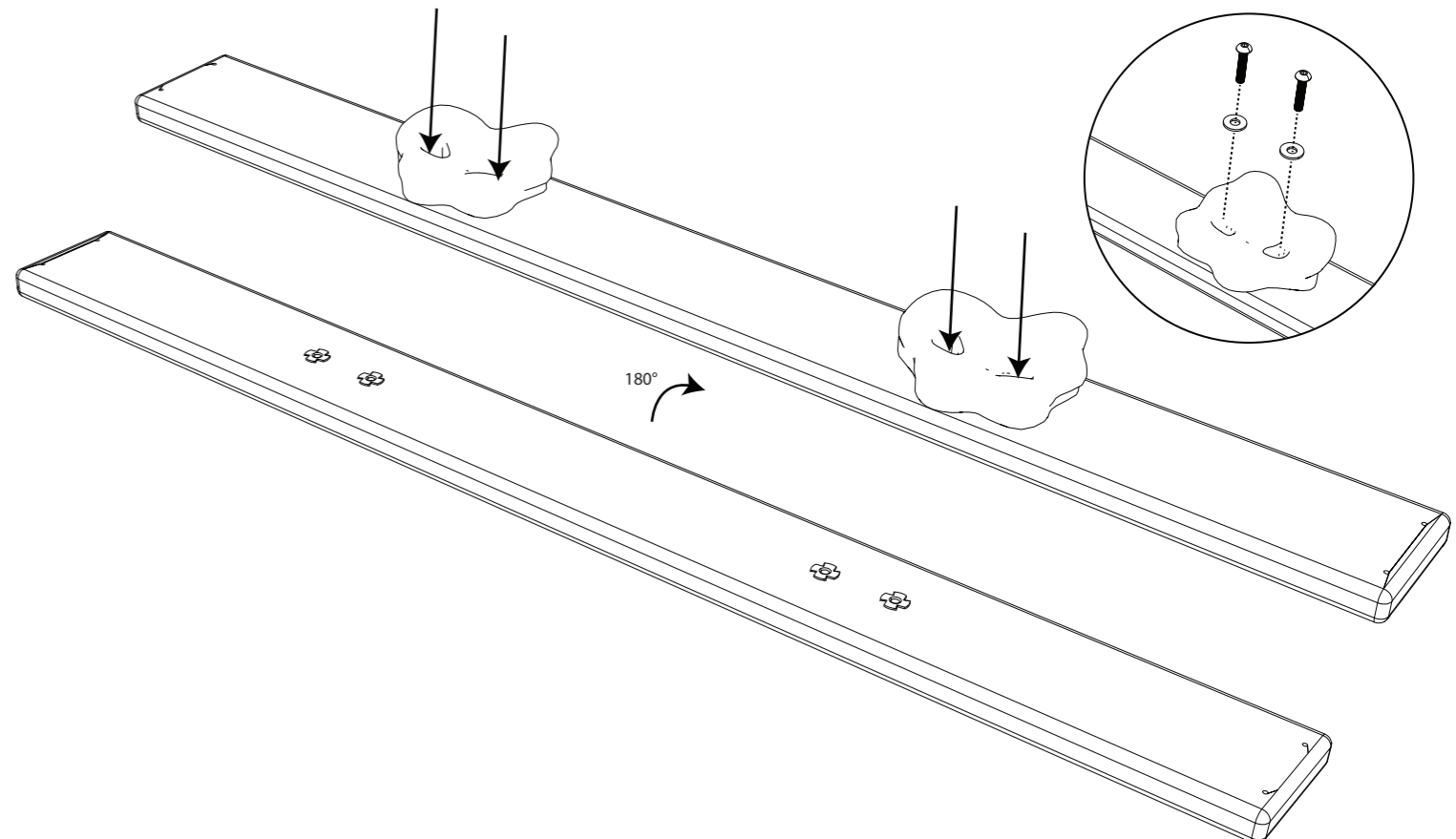
Step 73:

Insert (4) Nuts (N01) into (1) Climbing Wall Board (034).



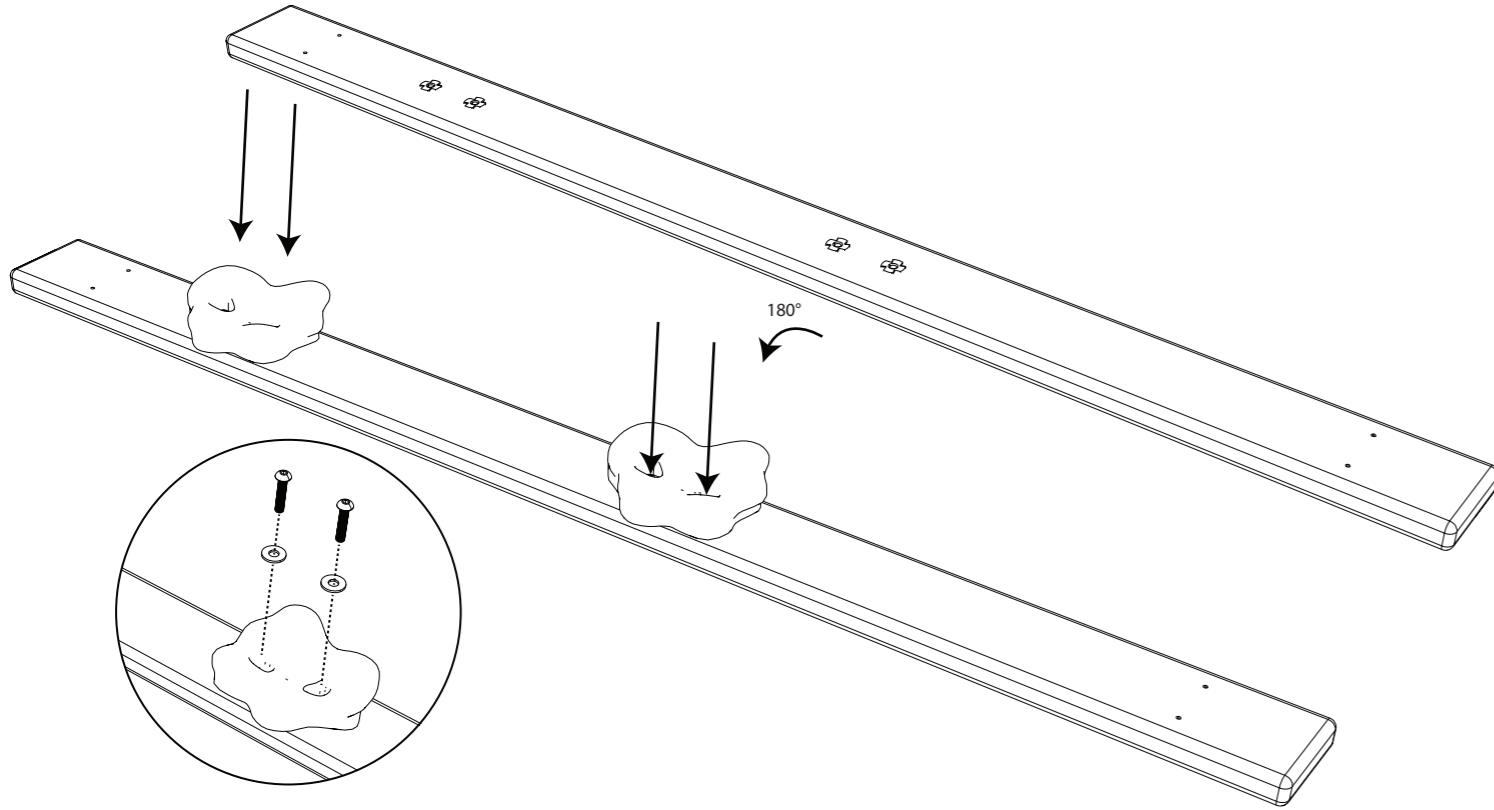
Step 74:

Attach (2) Climbing Rocks to the Climbing Wall Board (034) using (4) Washers (W07) and (4) Bolts (S65).



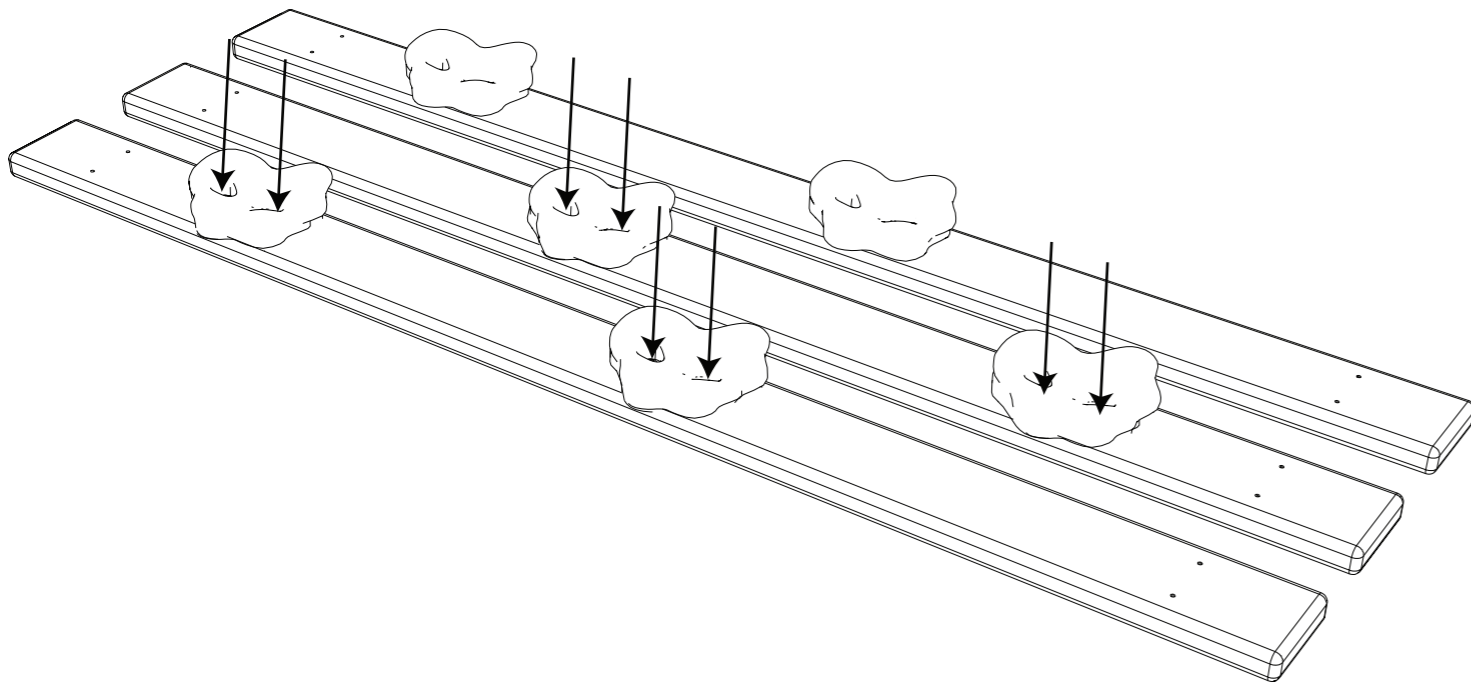
Step 71:

Attach (2) Climbing Rocks to (1) Climbing Wall Board (038) using (4) Washers (W07) and (4) Bolts (S65).



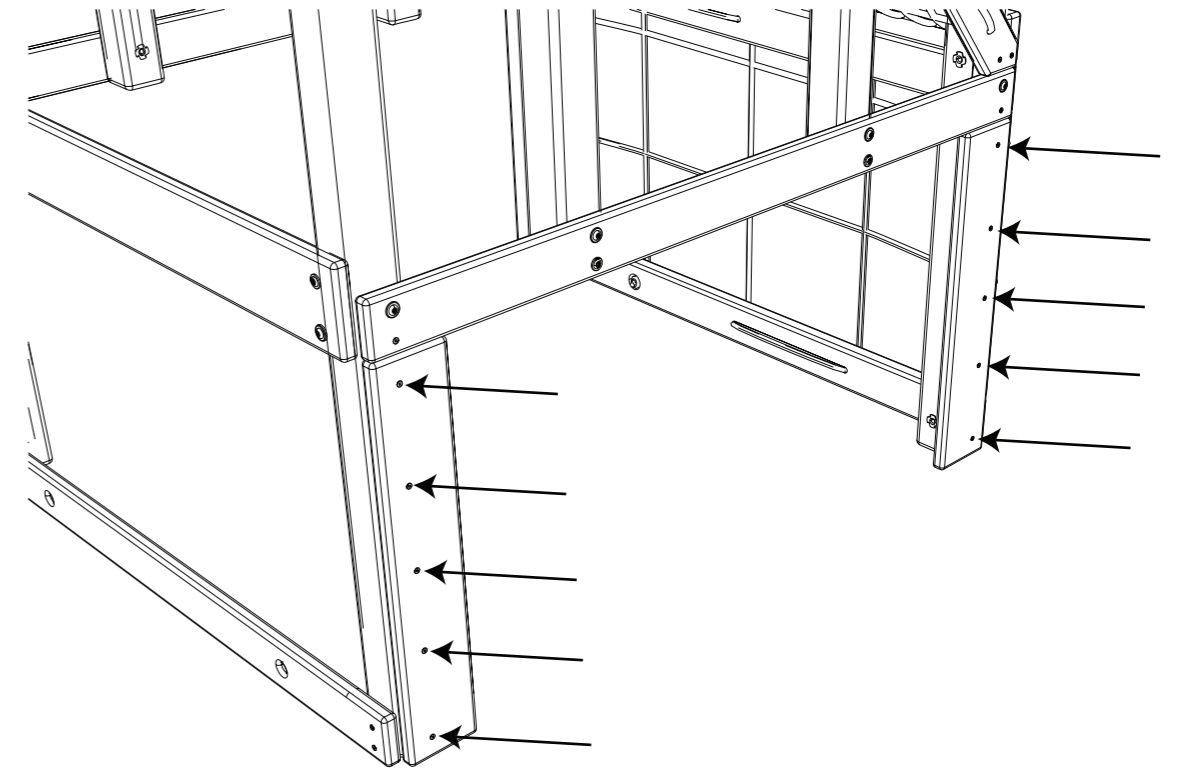
Step 72:

Attach (4) Climbing Rocks to (2) Climbing Wall Boards (038) using (8) Washers (W07) and (8) Bolts (S65). Alternate the direction of the Climbing Wall Boards as shown.



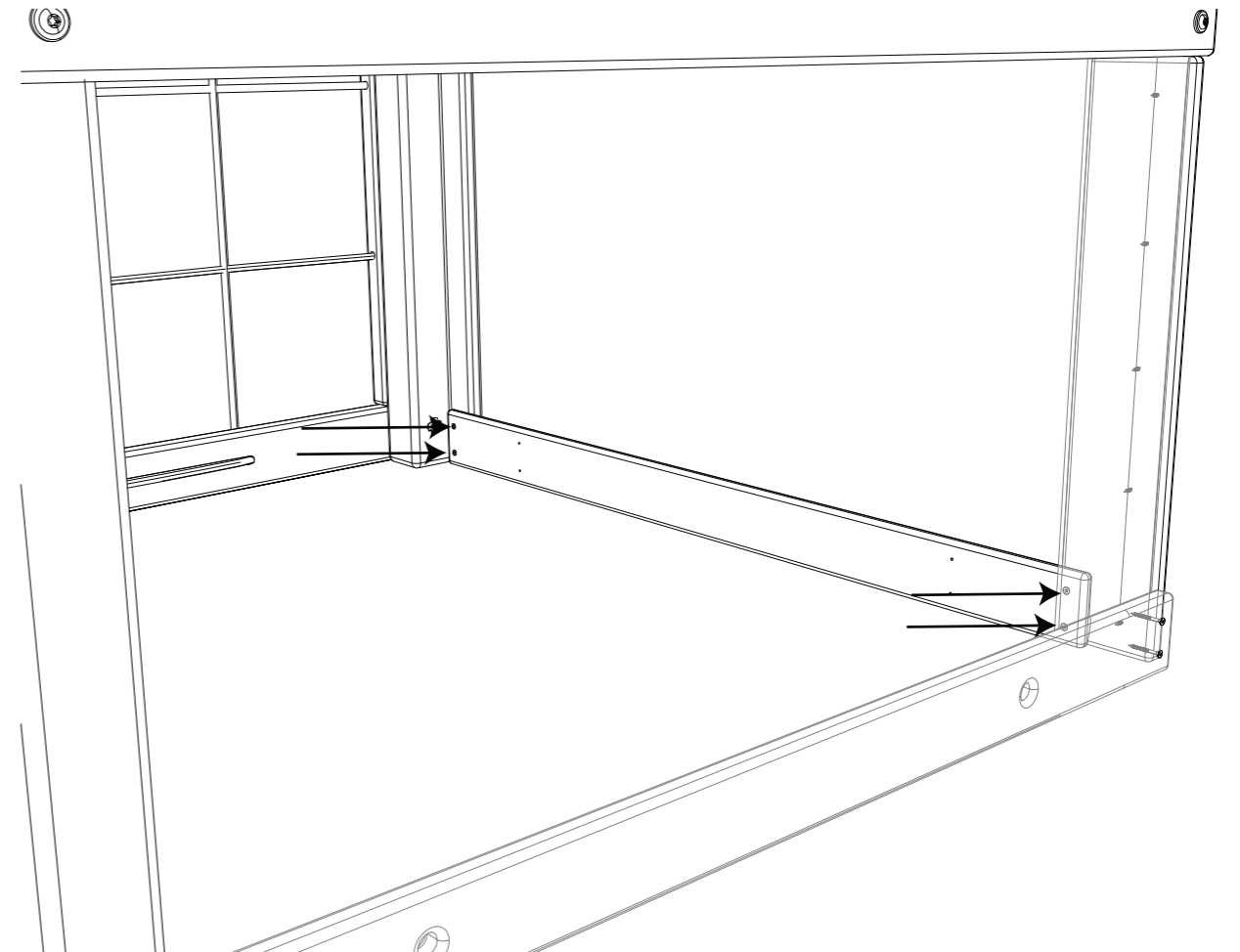
Step 33:

Attach (1) Wall Board (005) to the Tower Leg (001) using (5) Screws (S92). Attach (1) Wall Board (005) to the Tower Leg (002) using (5) Screws (S92). Ensure each Wall Board is flush with the outer edge of the Tower Leg.



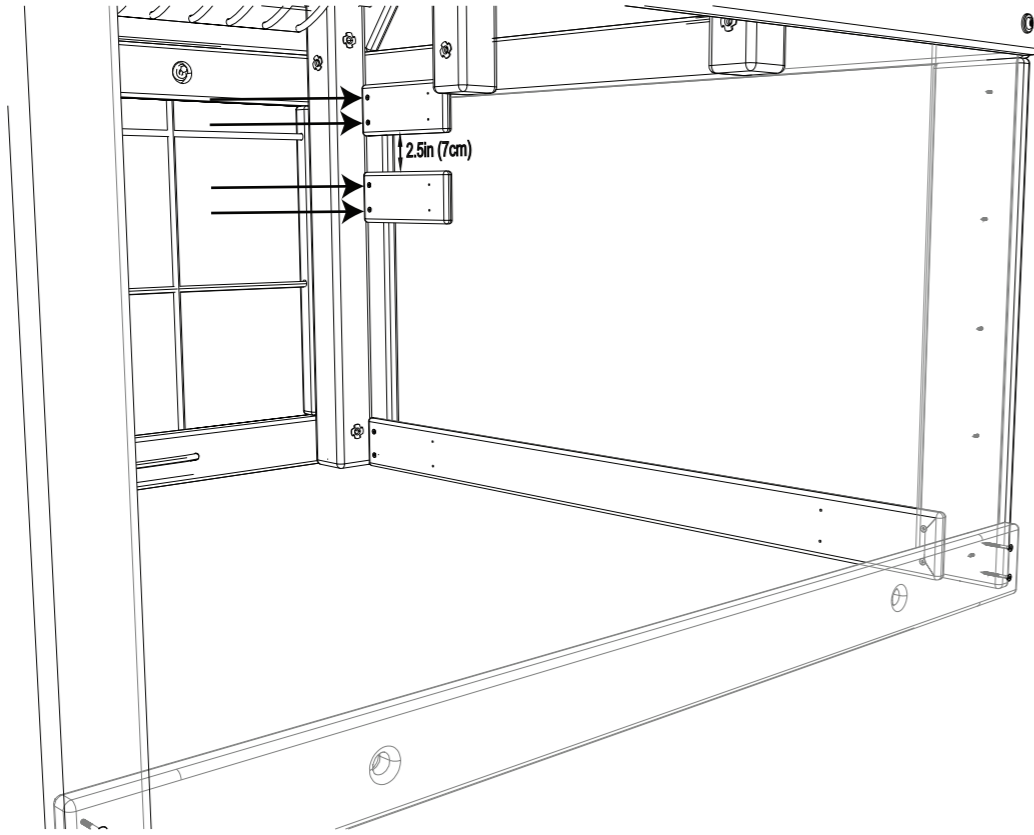
Step 34:

Attach (1) Side Board (006) to the Wall Boards (005) using (4) Screws (S95). Ensure the Side Board is flush with the bottom of the Wall boards.



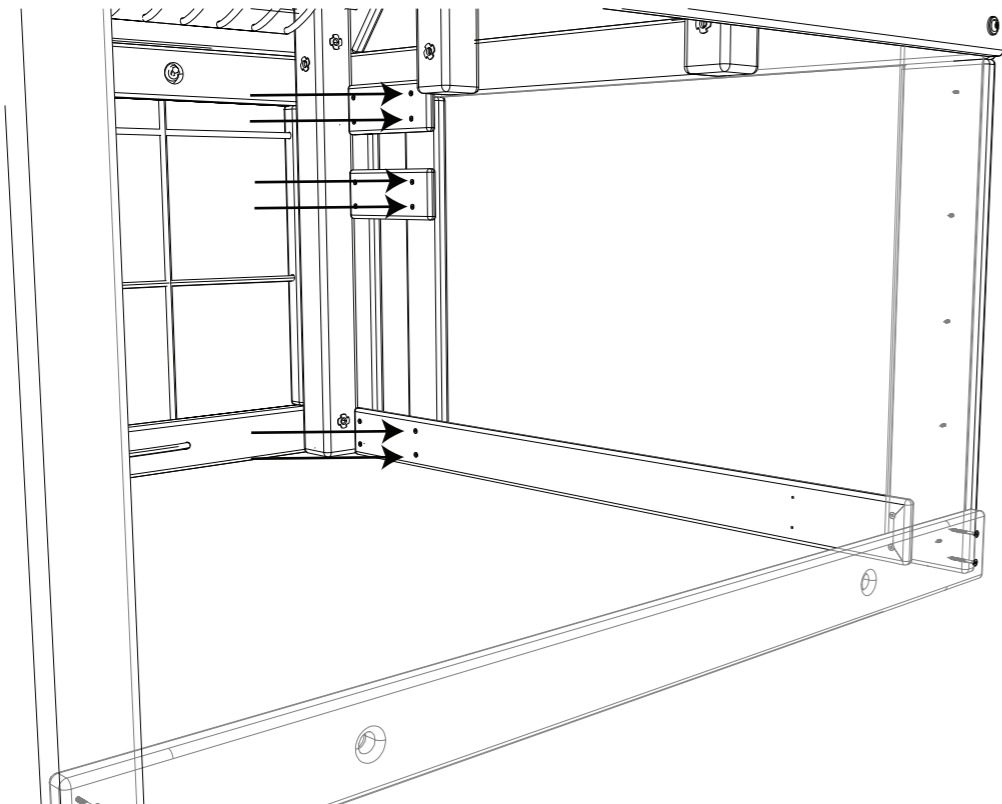
Step 35:

Place (1) Side Board (007) 26in (66cm) from the bottom of the Side Board (006). Ensure the pilot holes that are closer to the edge are placed against the Wall Board. Place the second Side Board 2.5in (7cm) below the first Side Board. Attach the Side Boards to the Wall Board (005) using (4) Screws (S95).
Note: The distance between the Side Boards must be no greater than 2.75in (7cm).



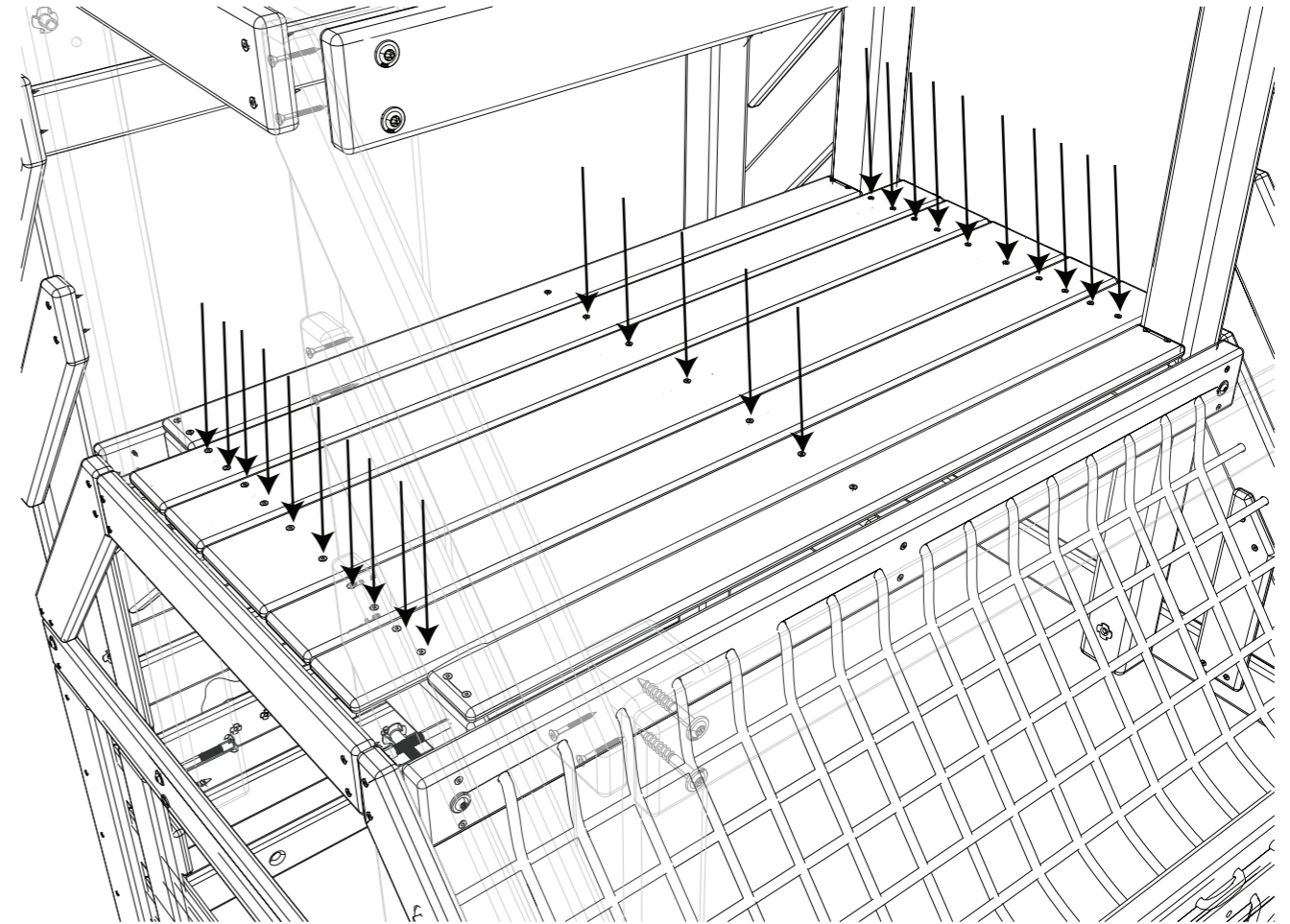
Step 36:

Attach (1) Wall Board (008) to the Side Boards (007) and (006) using (6) Screws (S95). The edge of the Wall Board must be flush with the edge of the Side Boards (007).



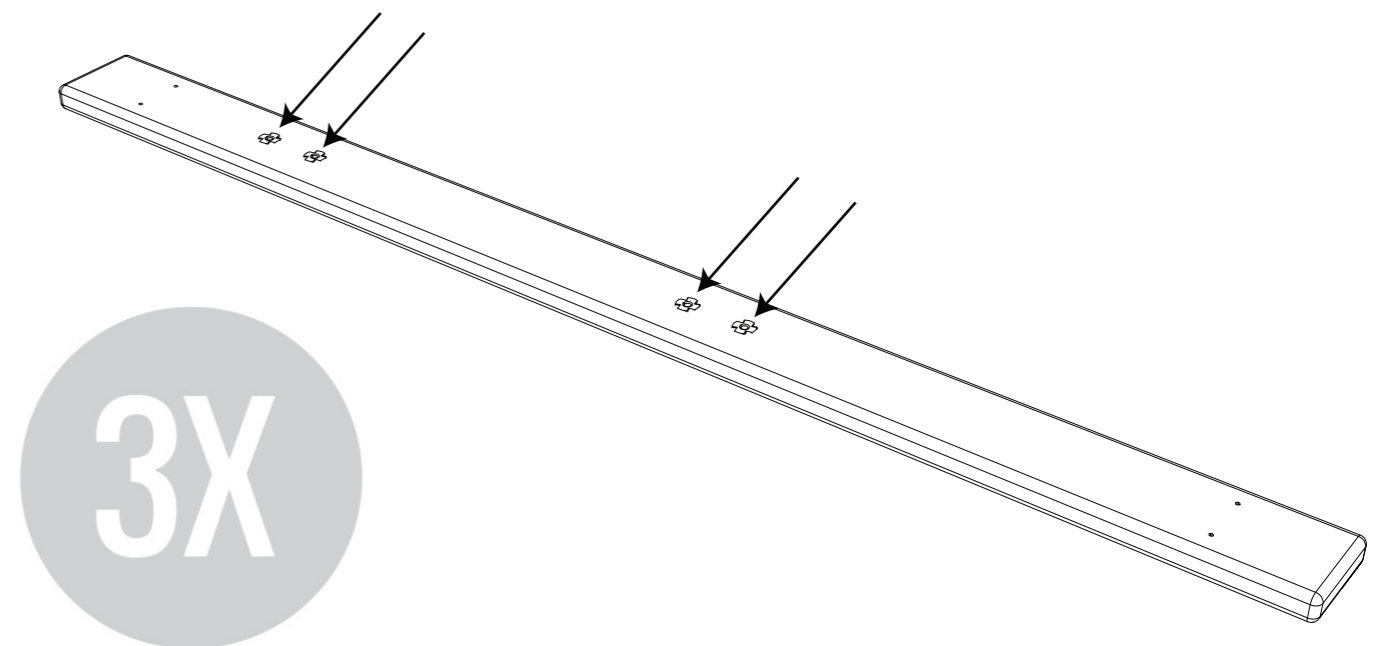
Step 69:

Lay out and evenly space (4) Floorboards (020) and (1) Floorboard (044) as shown. Attach the Floorboards using (25) Screws (S92).



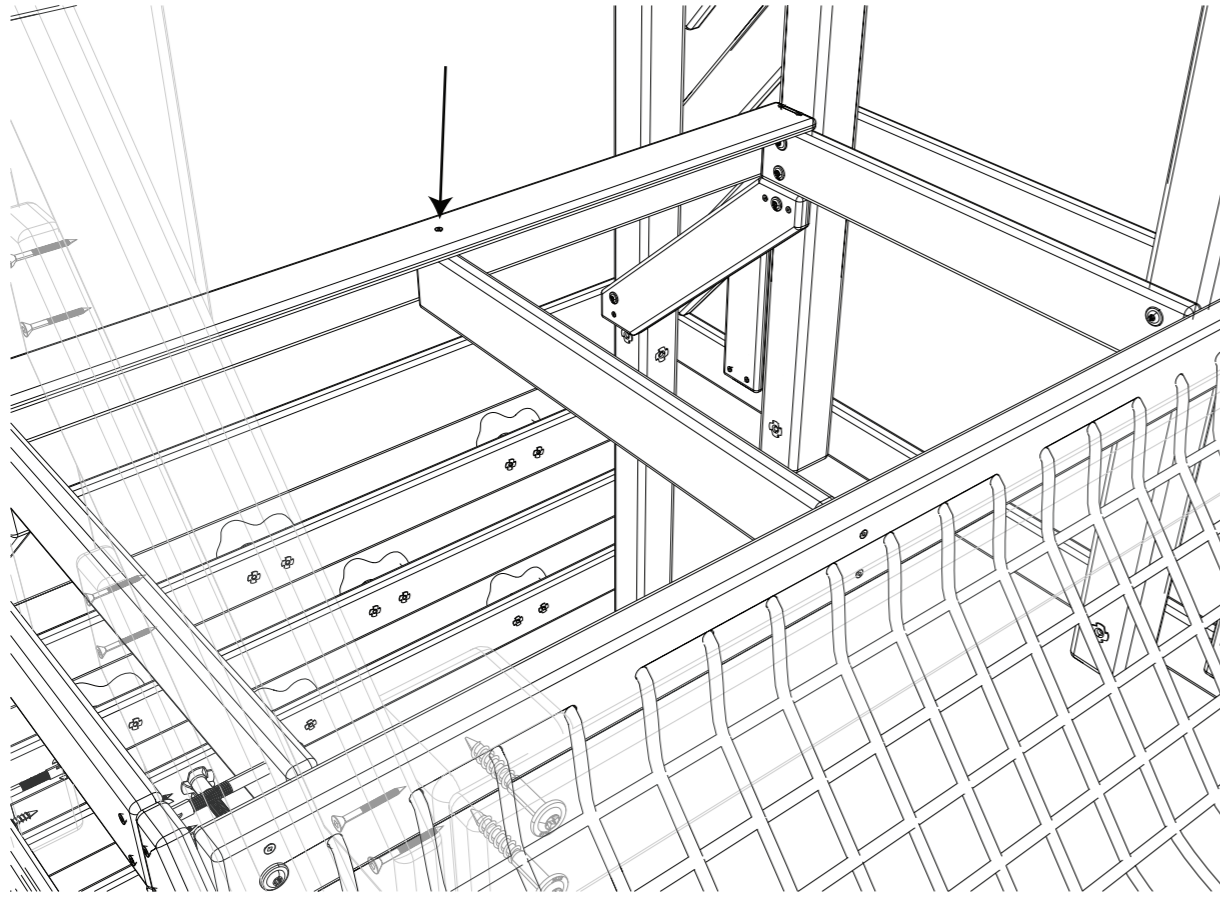
Step 70:

Insert (4) Nuts (N01) into (1) Climbing Wall Board (038). Complete this step 3 times to assemble 3 Climbing Wall Boards.



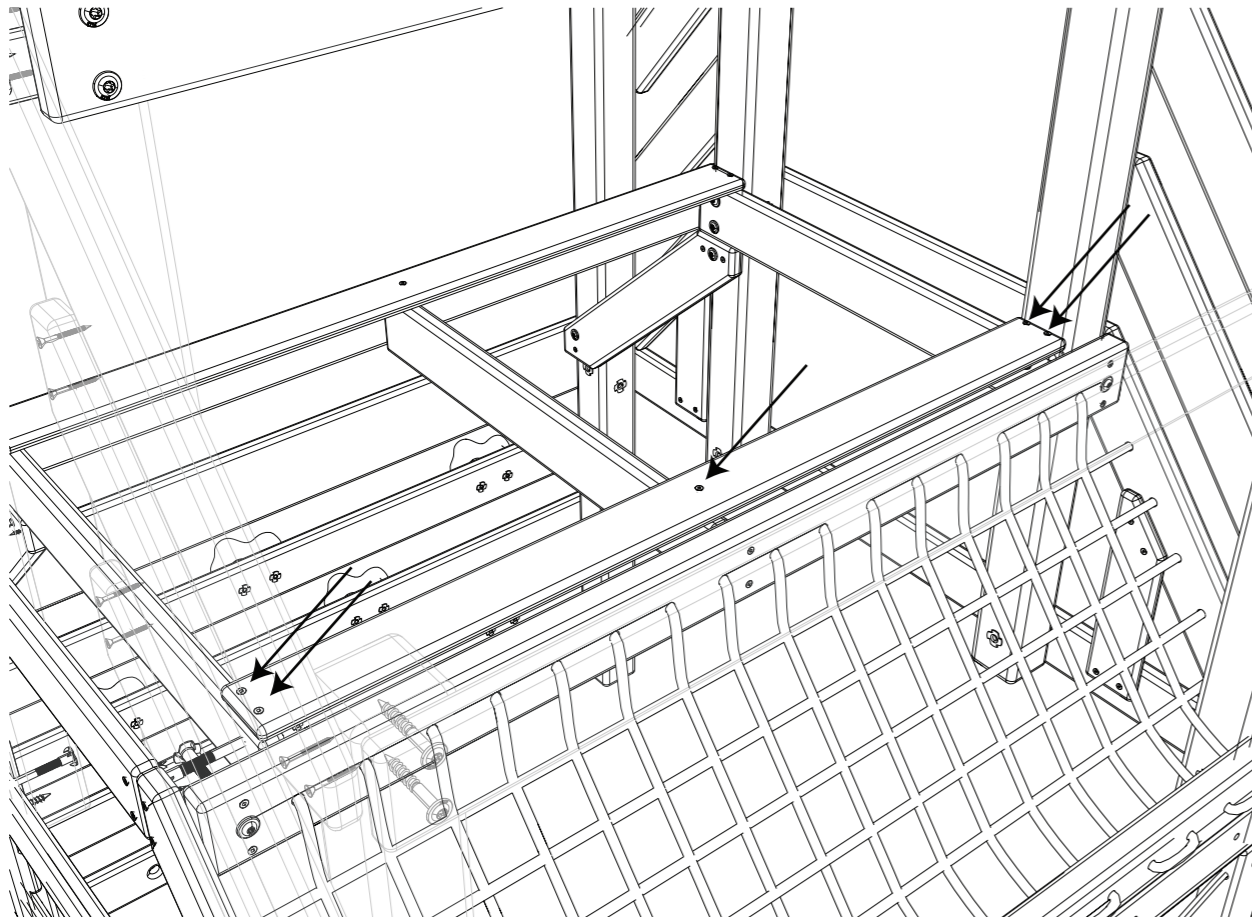
Step 67:

Attach the previously installed Floorboard (019) to the Floor Support (021) using (1) Screw (S92).



Step 68:

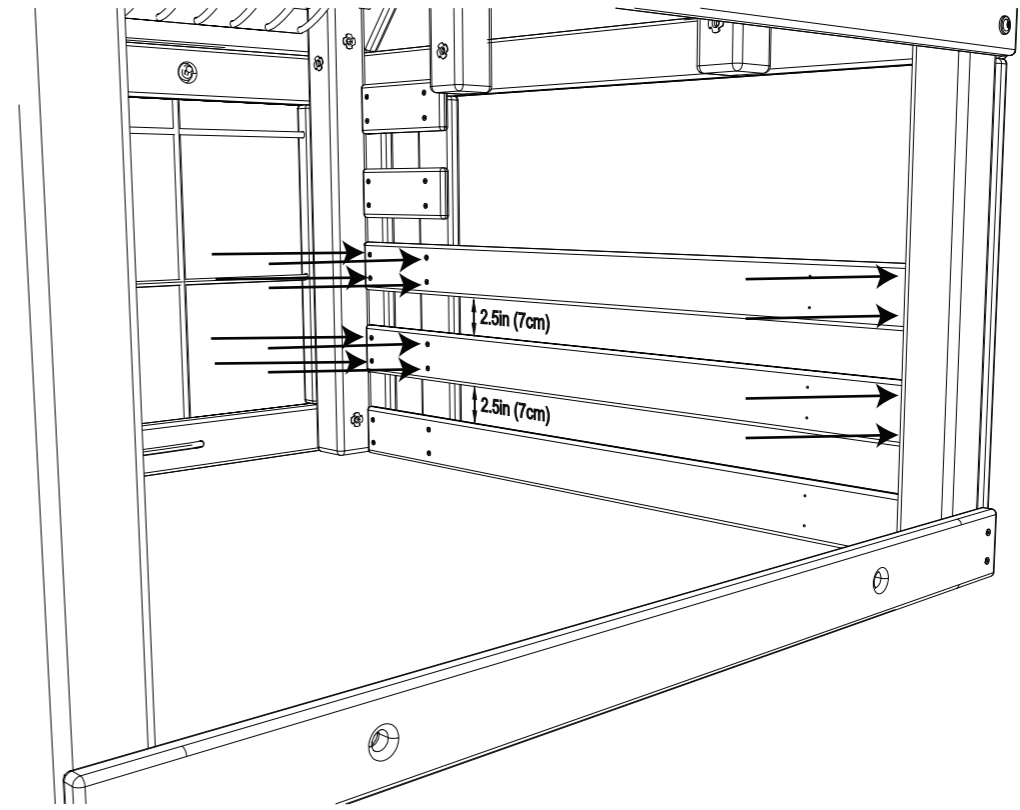
Attach (1) Floorboard (019) to the Floor Supports (018) and (021) using (5) Screws (S92).



Step 37:

Attach (2) Side Boards (006) to the Wall Boards (005) and (008) using (12) Screws (S95). Ensure there is a 2.5-inch (7cm) gap in between each Board.

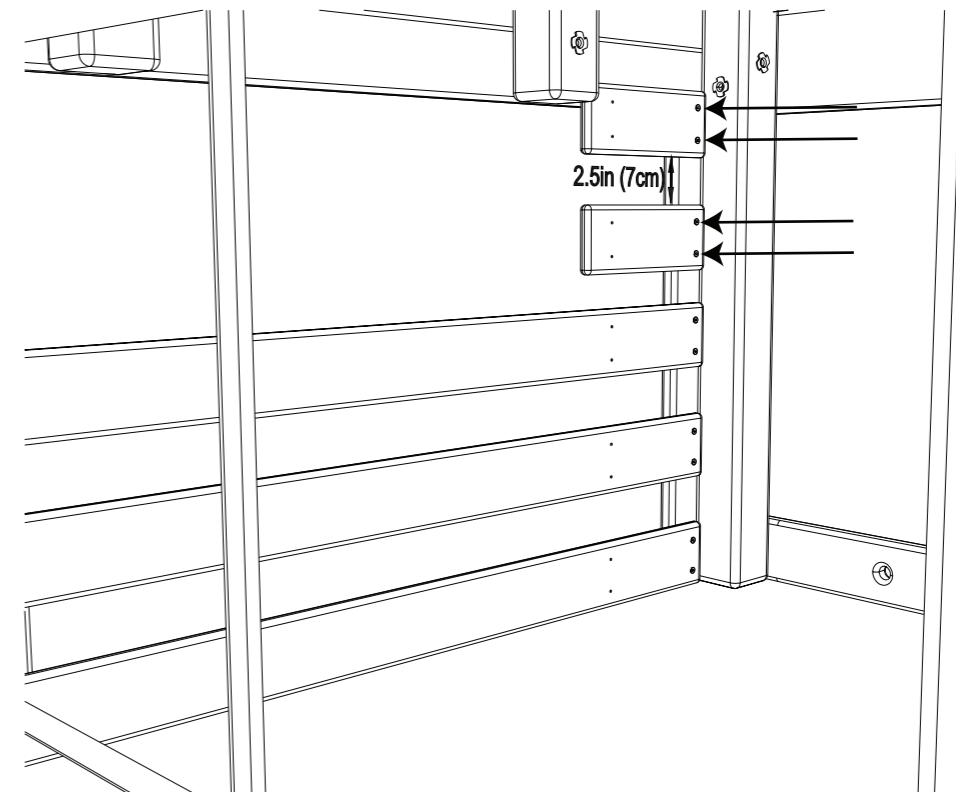
Note: The distance between the Side Boards must be no greater than 2.75in (7cm).



Step 38:

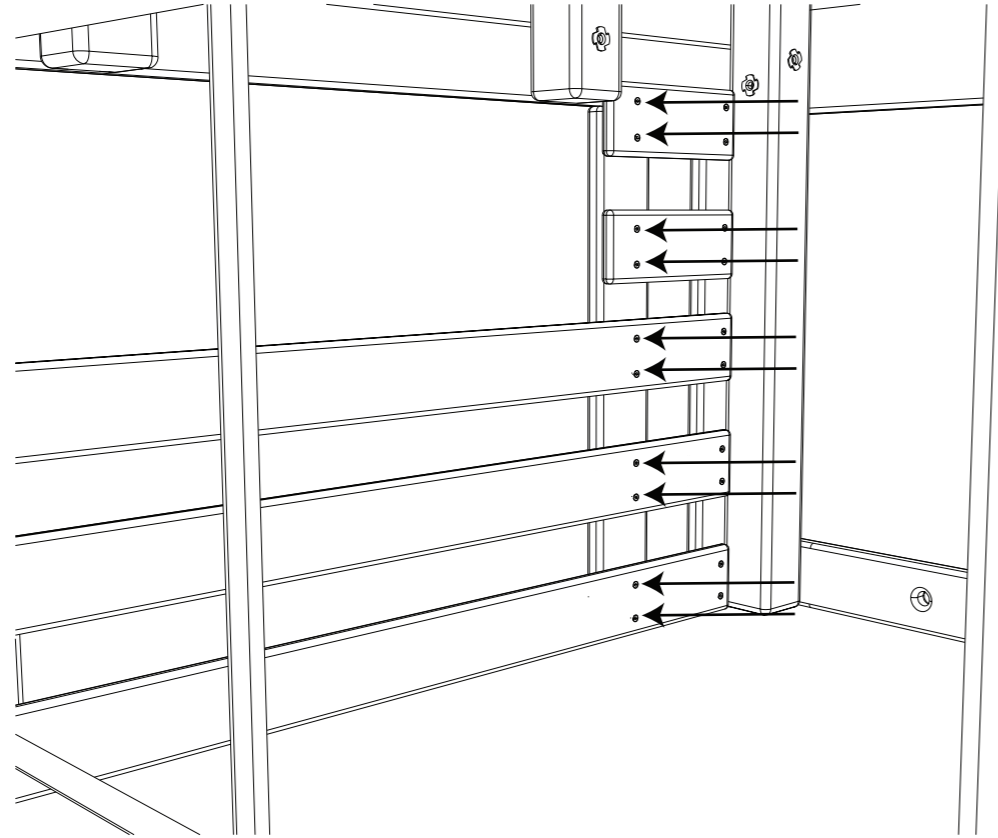
Place (1) Side Board (007) 26in (66cm) from the bottom of the Side Board (006). Ensure the pilot holes that are closer to the edge are placed against the Wall Board. Place the second Side Board 2.5in (7cm) below the first Side Board. Attach the Side Boards to the Wall Board (005) using (4) Screws (S95).

Note: The distance between the Side Boards must be no greater than 2.75in (7cm).



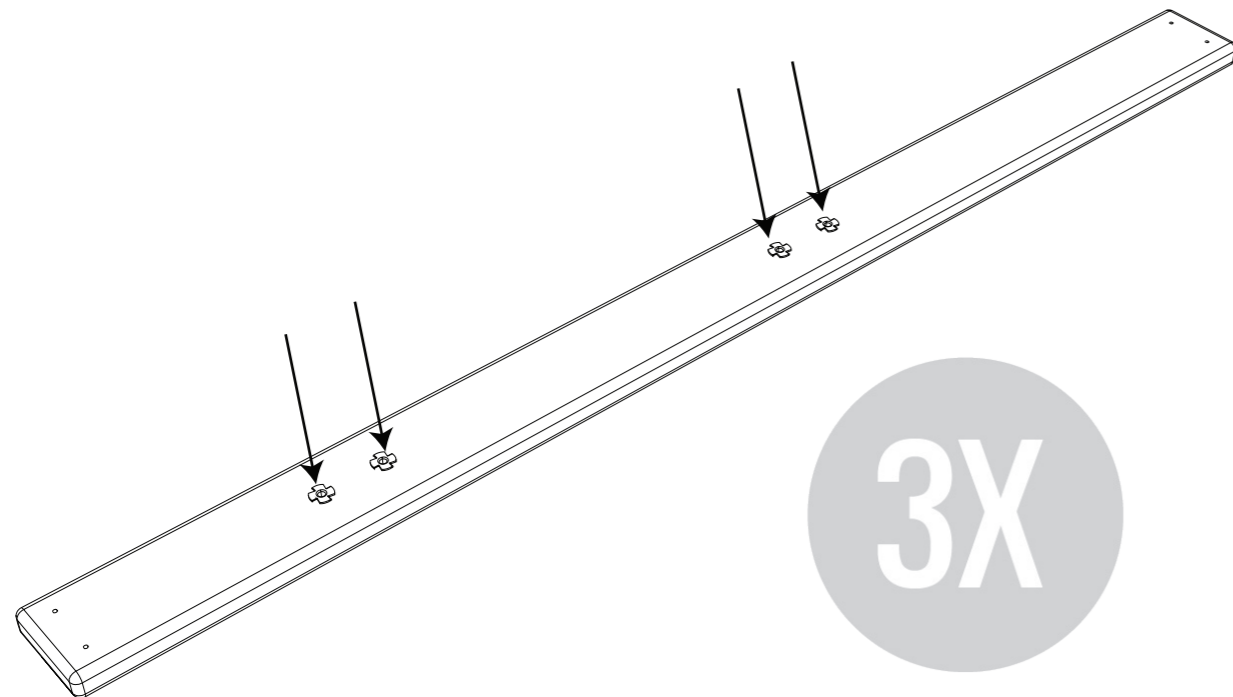
Step 39:

Attach (1) Wall Board (008) to the Side Boards (007) and (006) using (10) Screws (S95). The edge of the Wall Board must be flush with the edge of the Side Boards (007).



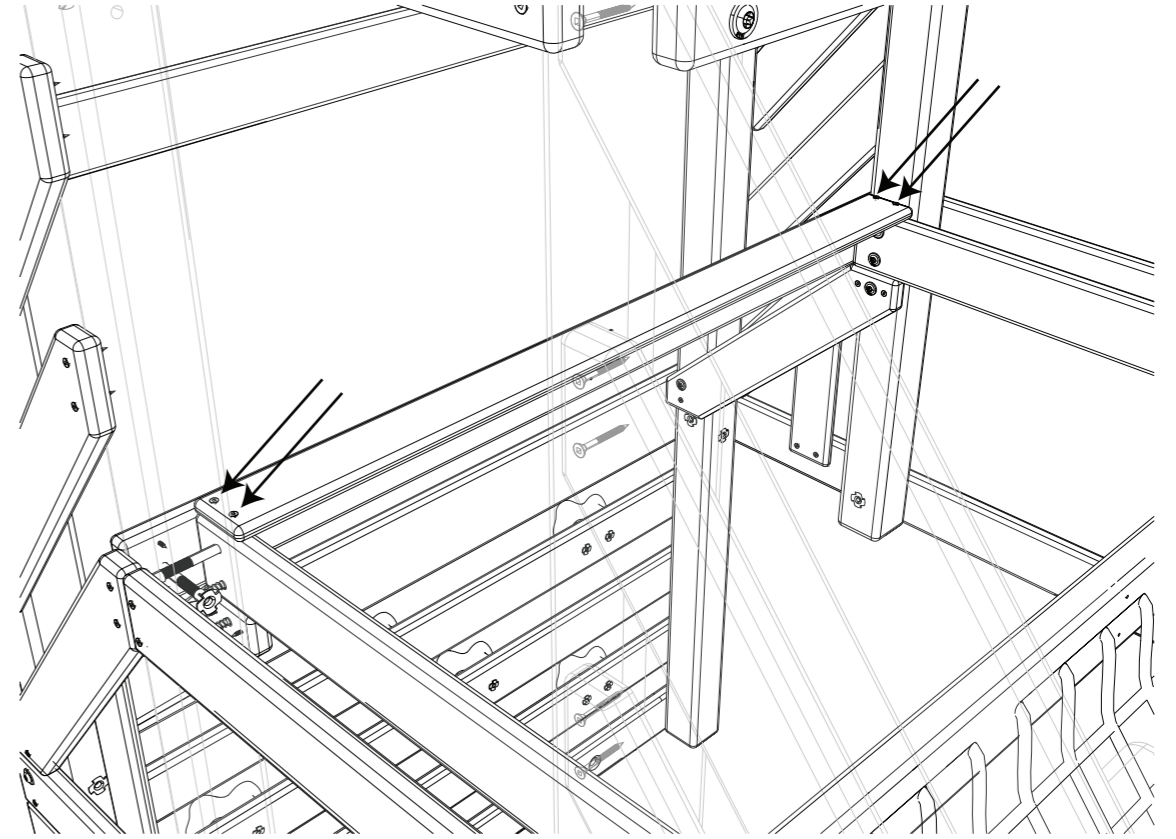
Step 40:

Insert (4) Nuts (N01) into (1) Climbing Wall Board (035). Complete this step 3 times to assemble 3 Climbing Wall Boards.



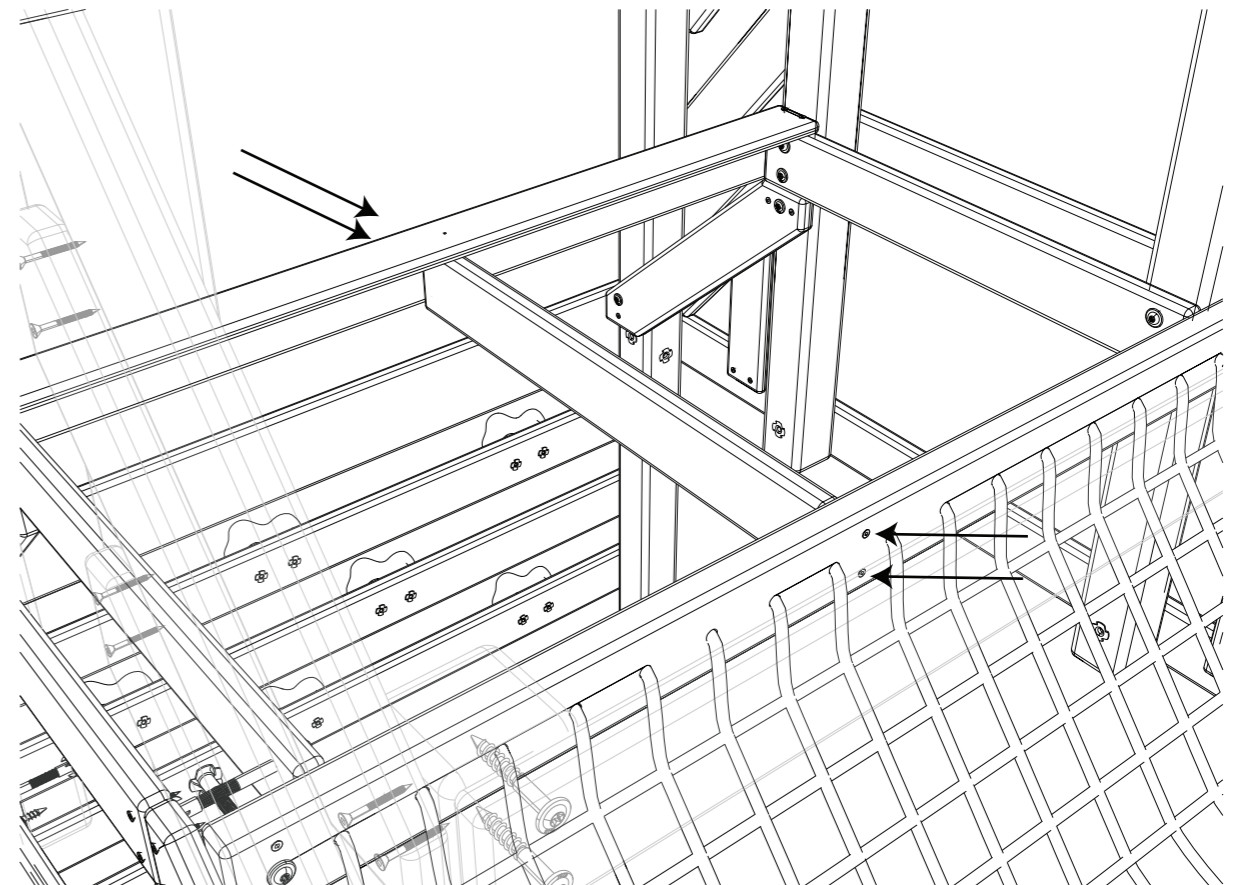
Step 65:

Attach (1) Floorboard (019) to the Floor Supports (018) using (4) Screws (S92).
Note: Do not place a center Screw in the Floorboard, it will be installed later.



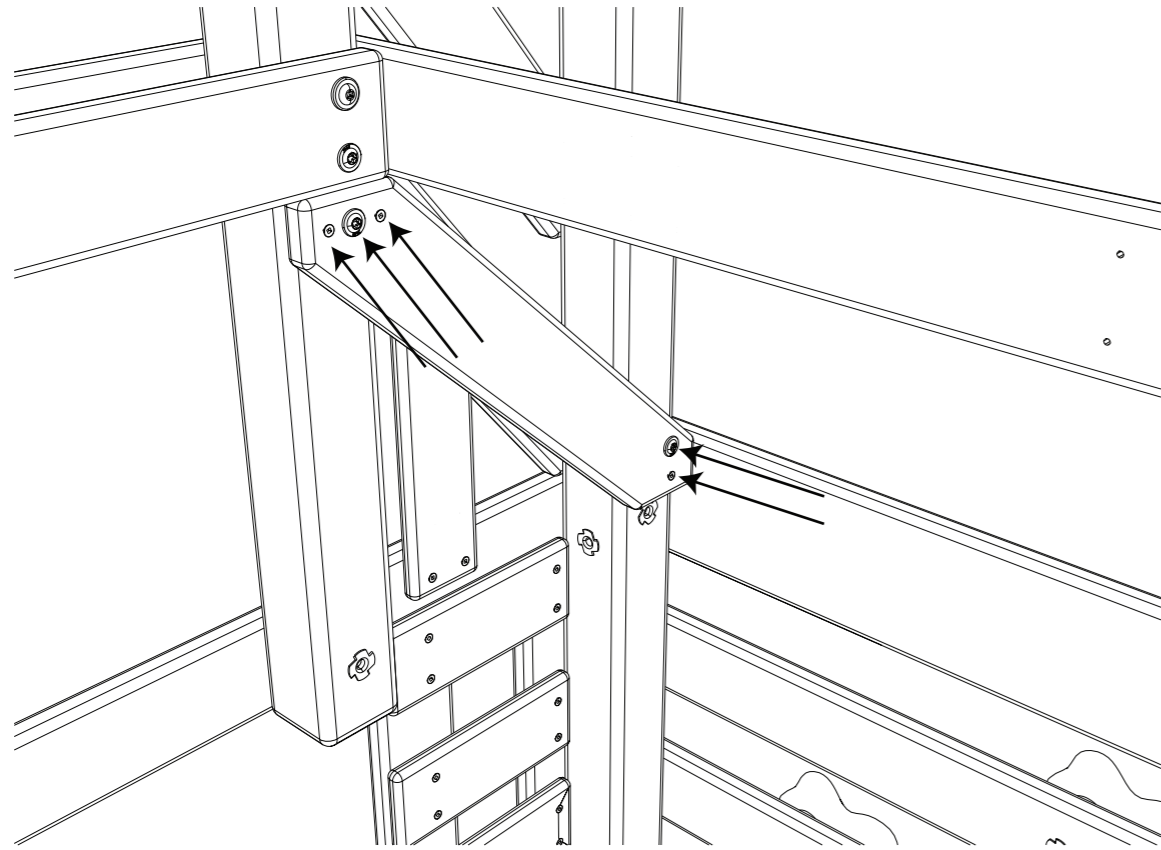
Step 66:

Attach (1) Floor Support (021) to the Floor Rail (036) and Upper Cargo Net Frame using (4) Screws (S97).
Ensure that the center of the Floor Support is aligned with the center pilot hole on the Floorboard (019).



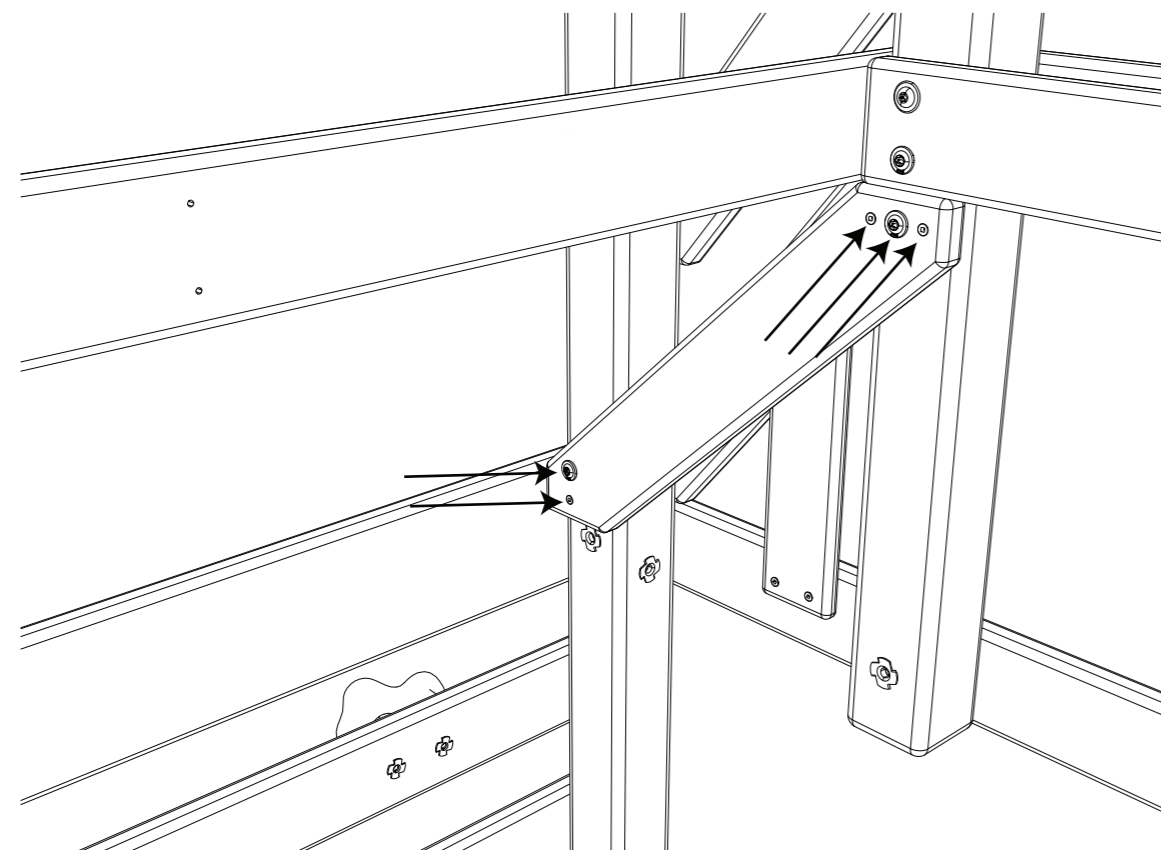
Step 63:

Attach (1) Brace (033) to the Tower Legs (015) and (001) using (2) Screws (S120) and (3) Screws (S92). The edges of the Brace should be flush with the edges of the Tower Legs and the top edge of the Brace should lay flush with the bottom edge of the Floor Support (018). Note the orientation of the angled edges.



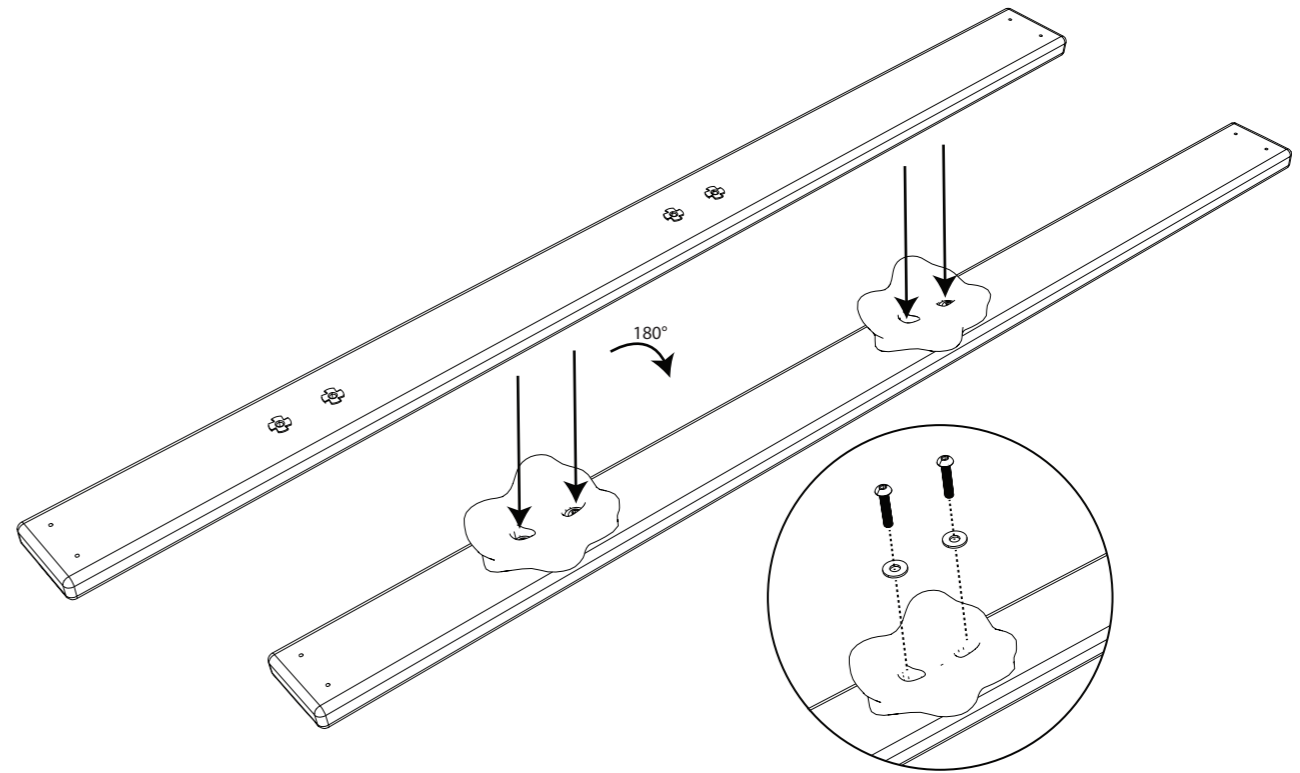
Step 64:

Attach (1) Brace (033) to the Tower Legs (001) and (037) using (2) Screws (S120) and (3) Screws (S92). The edges of the Brace should be flush with the edges of the Tower Legs and the top edge of the Brace should lay flush with the bottom edge of the Floor Support (018). Note the orientation of the angled edges.



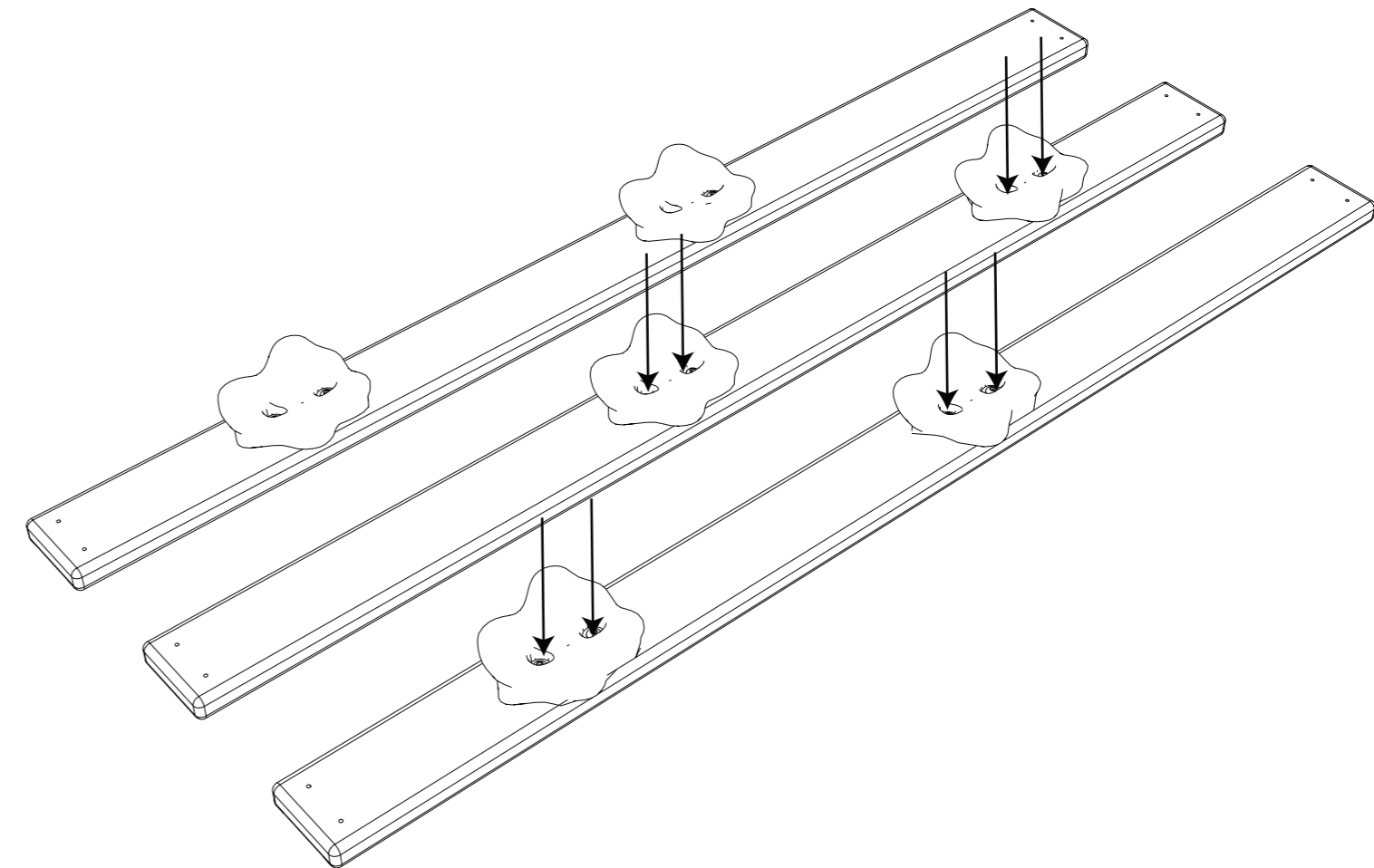
Step 41:

Attach (2) Climbing Rocks to (1) Climbing Wall Board (035) using (4) Washers (W07) and (4) Bolts (S65).



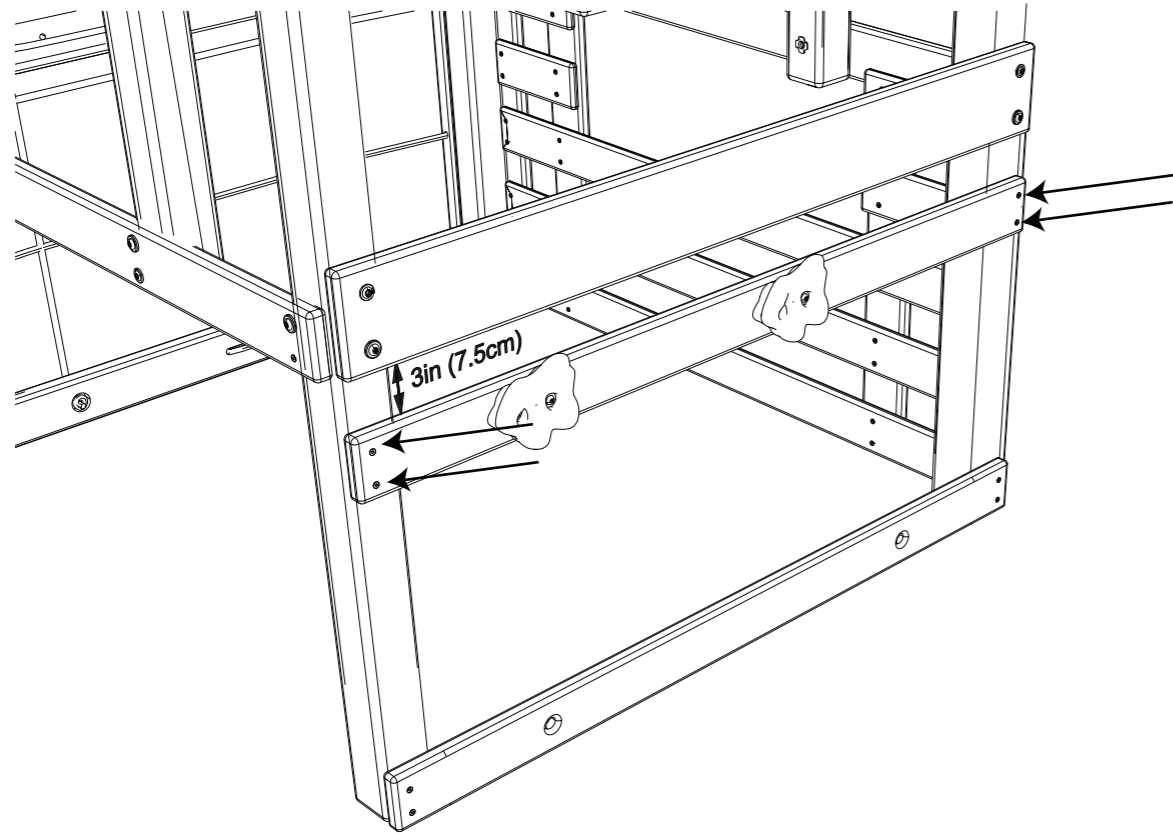
Step 42:

Attach (4) Climbing Rocks to (2) Climbing Wall Boards (035) using (8) Washers (W07) and (8) Bolts (S65). Alternate the direction of the Climbing Wall Boards as shown.



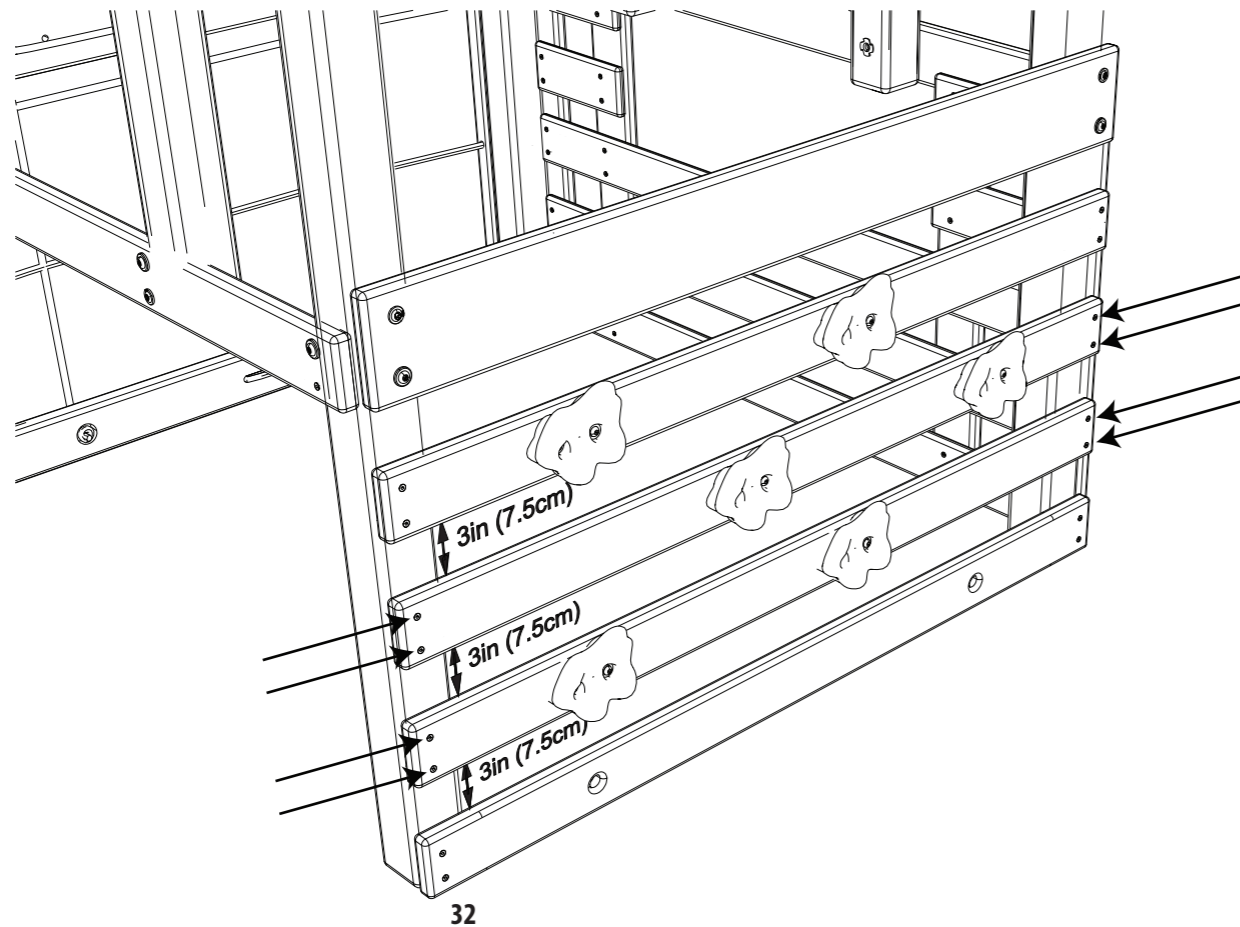
Step 43:

Place (1) Climbing Wall Board Assembly 3in (7.5cm) under the Rail Board (010). Attach the Climbing Wall Board Assembly to the Tower Legs (001) using (4) Screws (S92). The edges of the Climbing Wall Board should be flush with the edges of the Tower Legs.



Step 44:

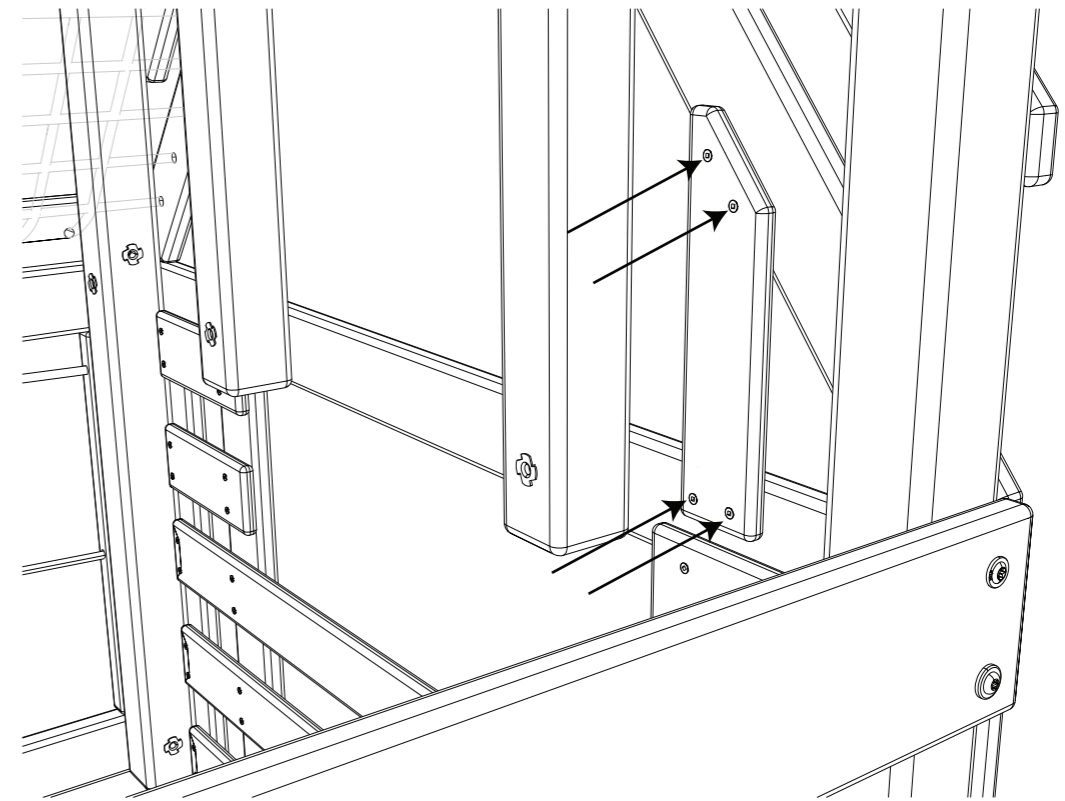
Attach (2) Climbing Wall Board Assemblies using (8) Screws (S92). Alternate the locations of the Climbing Rocks. Note: Leave a 3-inch (7.5cm) gap between the Boards.



Step 61:

Attach (1) Wall Board (032) to the Wall Board (012) and the Rail Board (009) using (4) Screws (S95). Note the orientation of the angled edges.

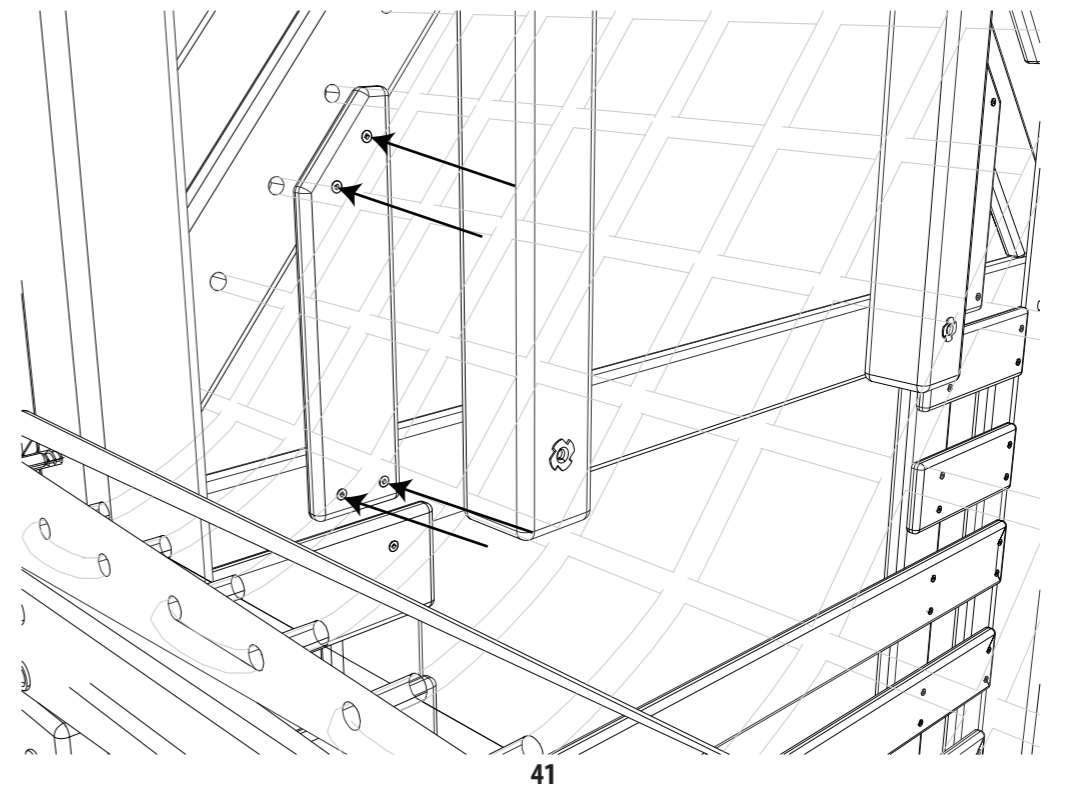
WARNING: To avoid head or torso entrapment, the Boards should never be placed between 3.5in to 9in (9cm to 23cm) apart. To avoid finger entrapment, the Wall Boards should never be positioned 0.5in (1.25cm) or closer.



Step 62:

Attach (1) Wall Board (032) to the Upper Cargo Net Frame and the Rail Board (009) using (4) Screws (S95). Note the orientation of the angled edges.

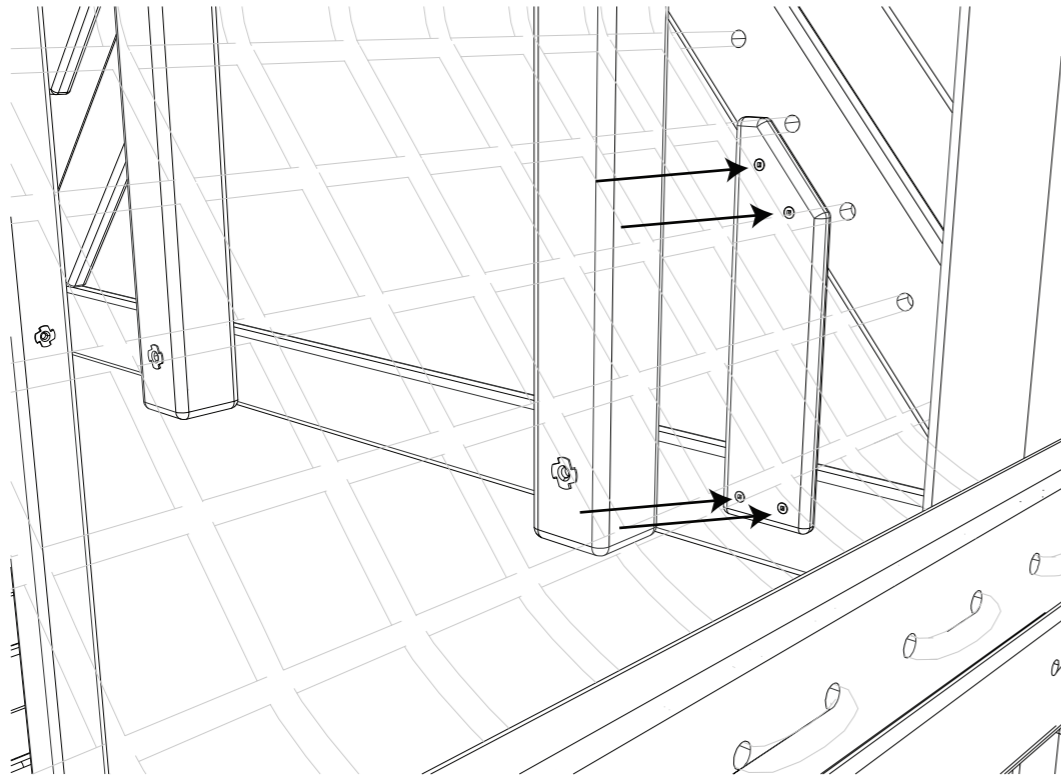
WARNING: To avoid head or torso entrapment, the Boards should never be placed between 3.5in to 9in (9cm to 23cm) apart. To avoid finger entrapment, the Wall Boards should never be positioned 0.5in (1.25cm) or closer.



Step 59:

Attach (1) Wall Board (032) to the Upper Cargo Net Frame and the Rail Board (009) using (4) Screws (S95). Note the orientation of the angled edges.

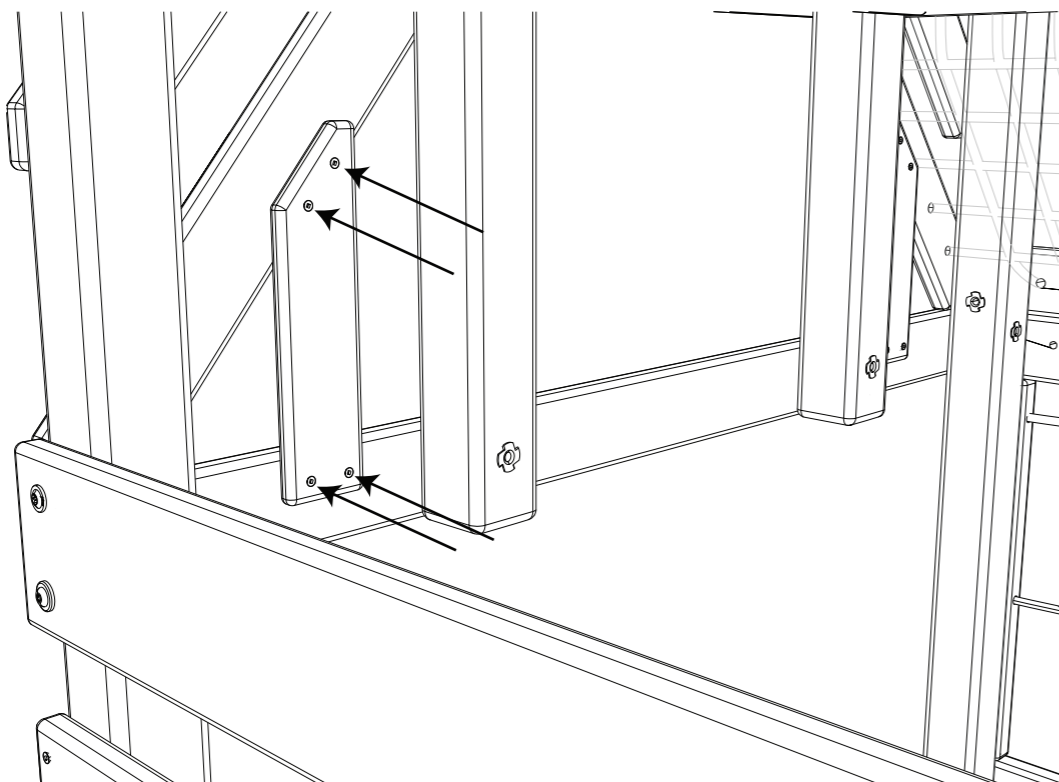
WARNING: To avoid head or torso entrapment, the Boards should never be placed between 3.5in to 9in (9cm to 23cm) apart. To avoid finger entrapment, the Wall Boards should never be positioned 0.5in (1.25cm) or closer.



Step 60:

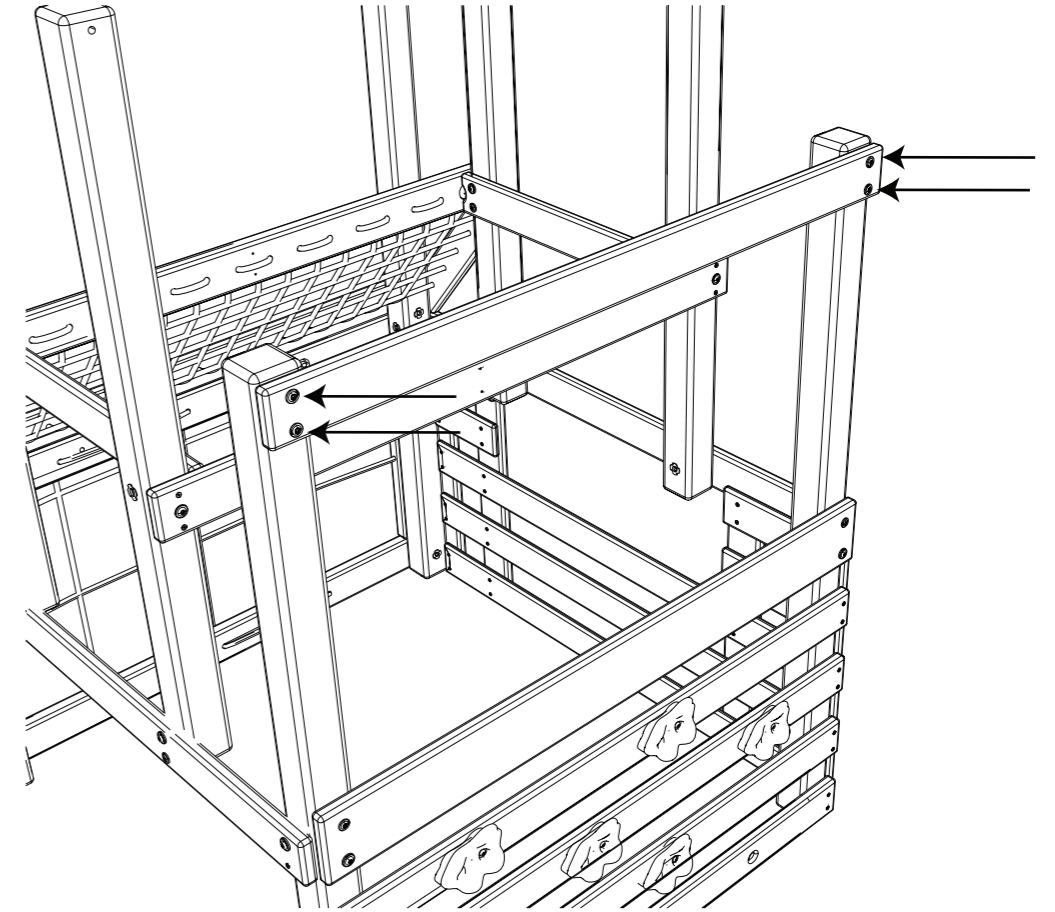
Attach (1) Wall Board (032) to the Wall Board (012) and the Rail Board (009) using (4) Screws (S95). Note the orientation of the angled edges.

WARNING: To avoid head or torso entrapment, the Boards should never be placed between 3.5in to 9in (9cm to 23cm) apart. To avoid finger entrapment, the Wall Boards should never be positioned 0.5in (1.25cm) or closer.



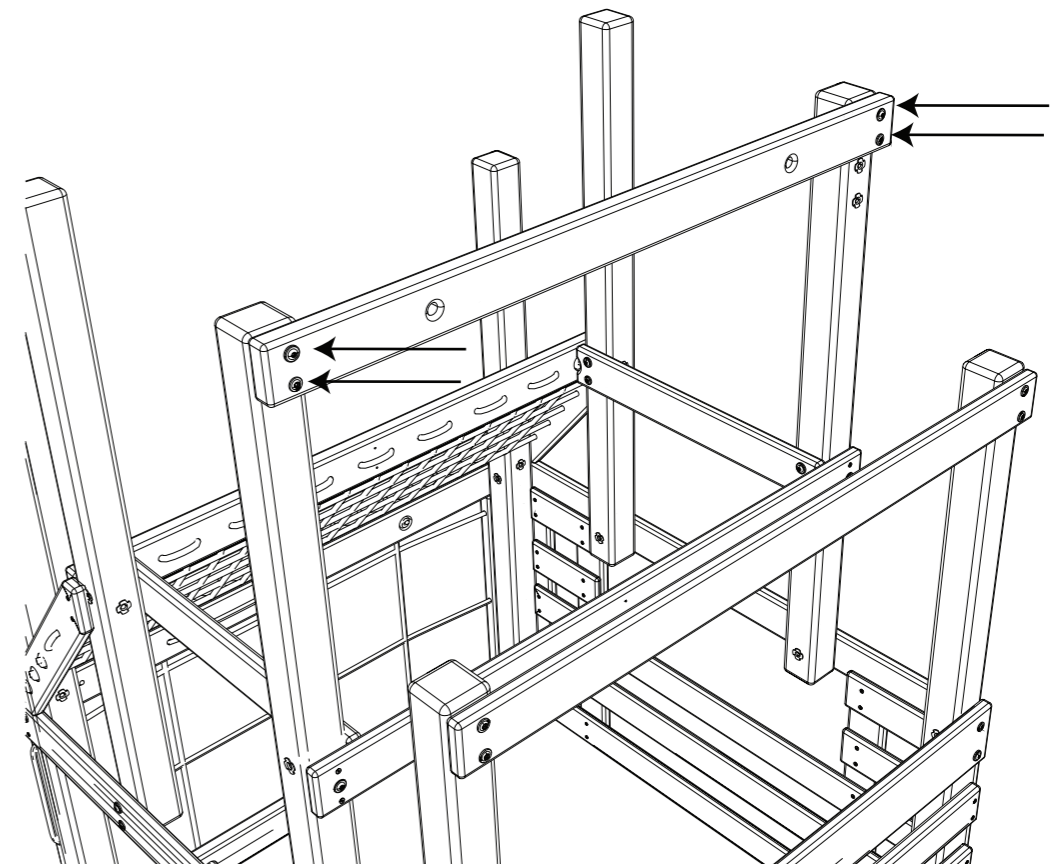
Step 45:

Attach (1) Rail Board (003) to (2) Tower Legs (001) using (4) Screws (S120). The edges of the Rail Board should be flush with the edges of the Tower Legs.



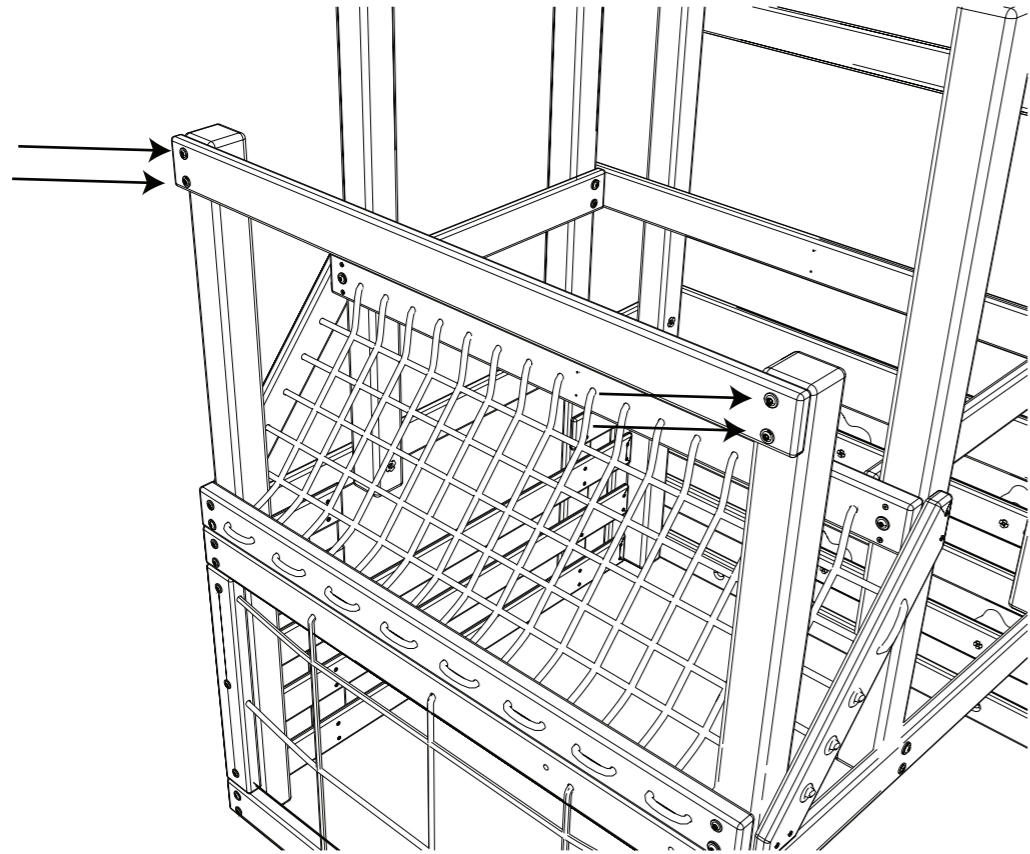
Step 46:

Attach (1) Rail Board (024) to the Tower Legs (037) and (015) using (2) Bolts (B163) and (2) Screws (S120). The edges of the Rail Board should be flush with the edges of the Tower Legs.



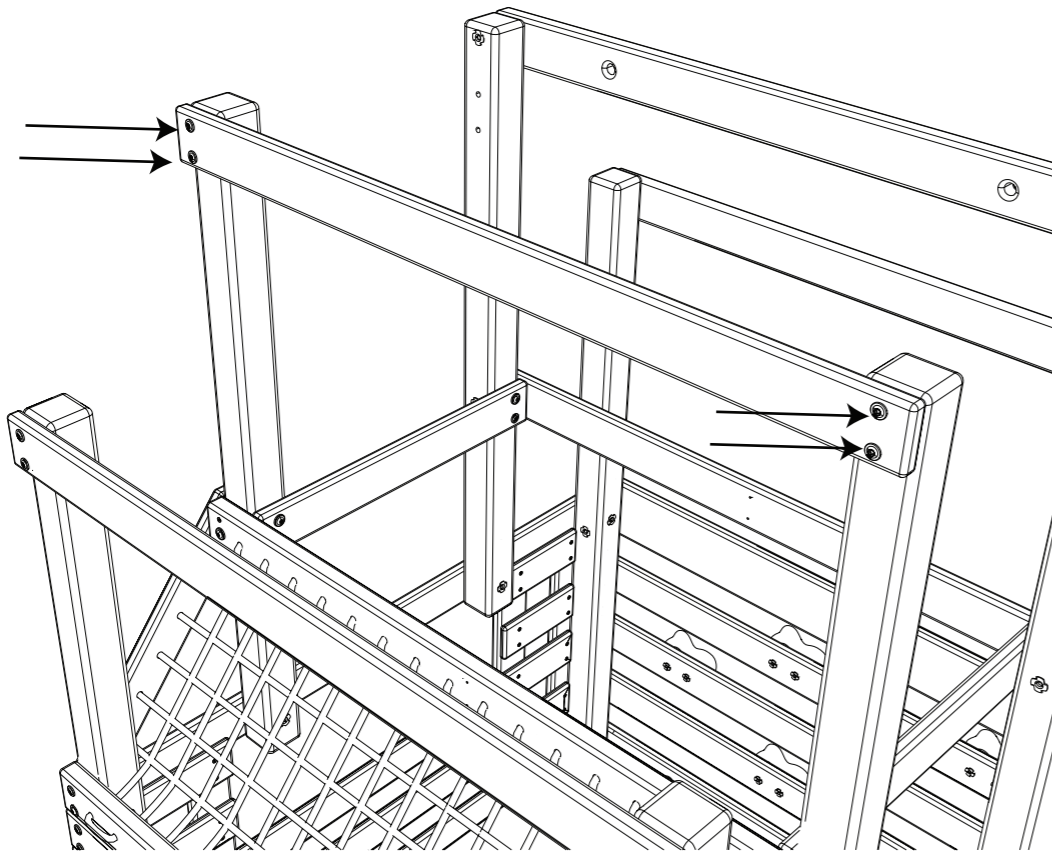
Step 47:

Attach (1) Rail Board (003) to the Tower Legs (002) using (4) Screws (S120). The edges of the Rail Board should be flush with the edges of the Tower Legs.



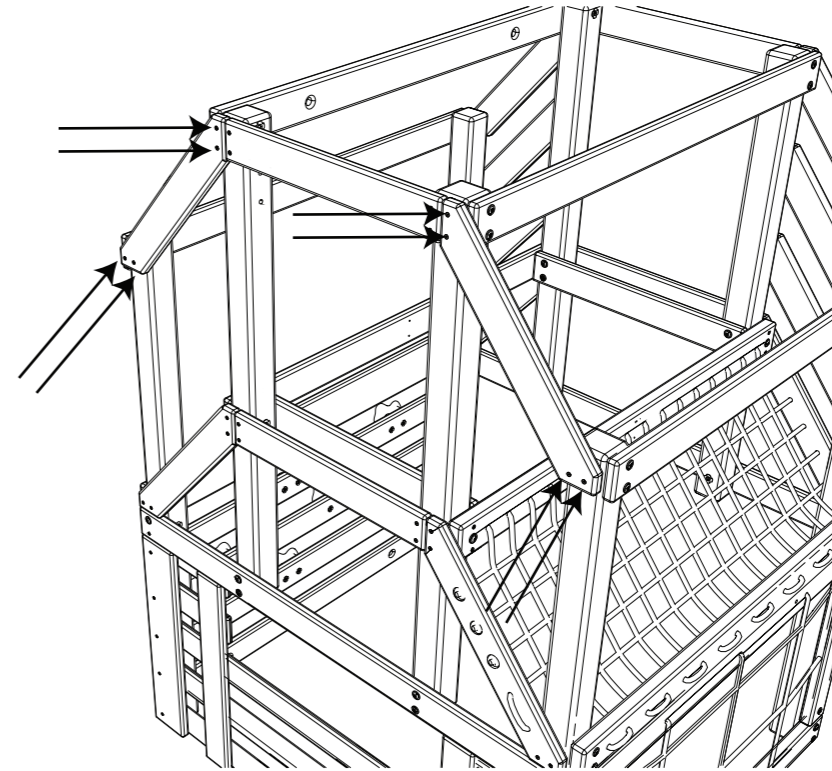
Step 48:

Attach (1) Rail Board (003) to the Tower Legs (014) using (4) Screws (S120). The edges of the Rail Board should be flush with the edges of the Tower Legs.



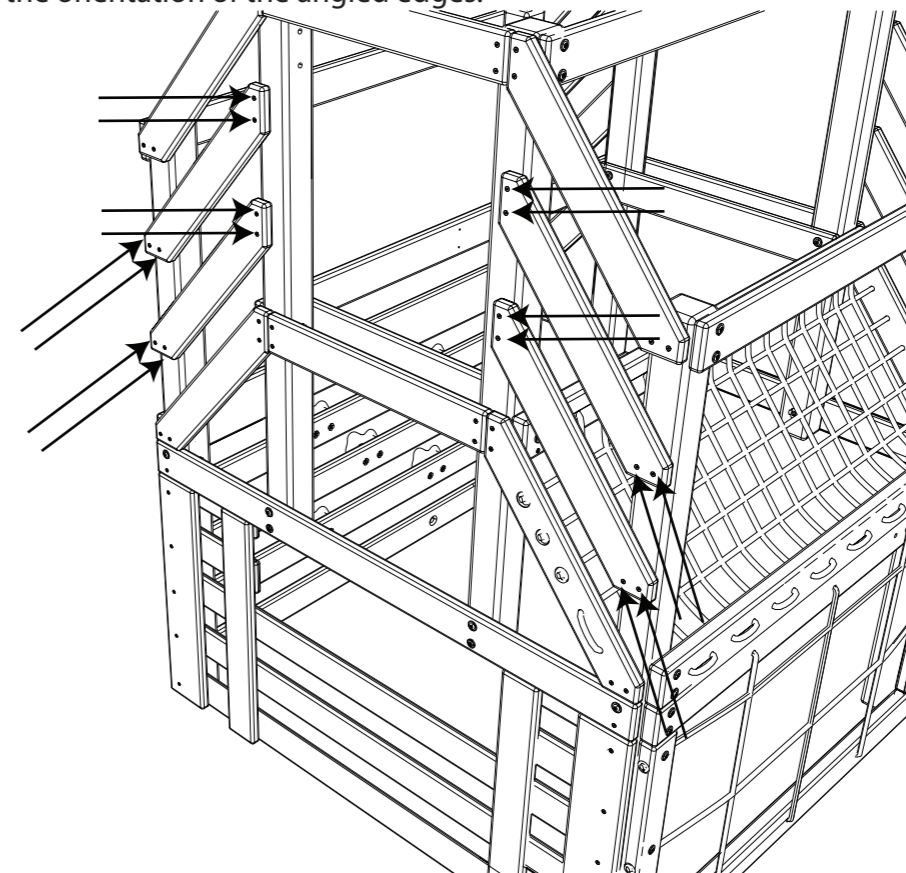
Step 57:

Attach (1) Wall Board (012) to the Tower Legs (001) and (015) using (4) Screws (S92). Attach (1) Wall Board (012) to the Tower Legs (014) and (002) using (4) Screws (S92). Ensure the top of each Wall Board is flush with the top of the Wall Rail Board (013) and that the outer edges are aligned with the edge of the Tower Legs. Note the orientation of the angled edges.



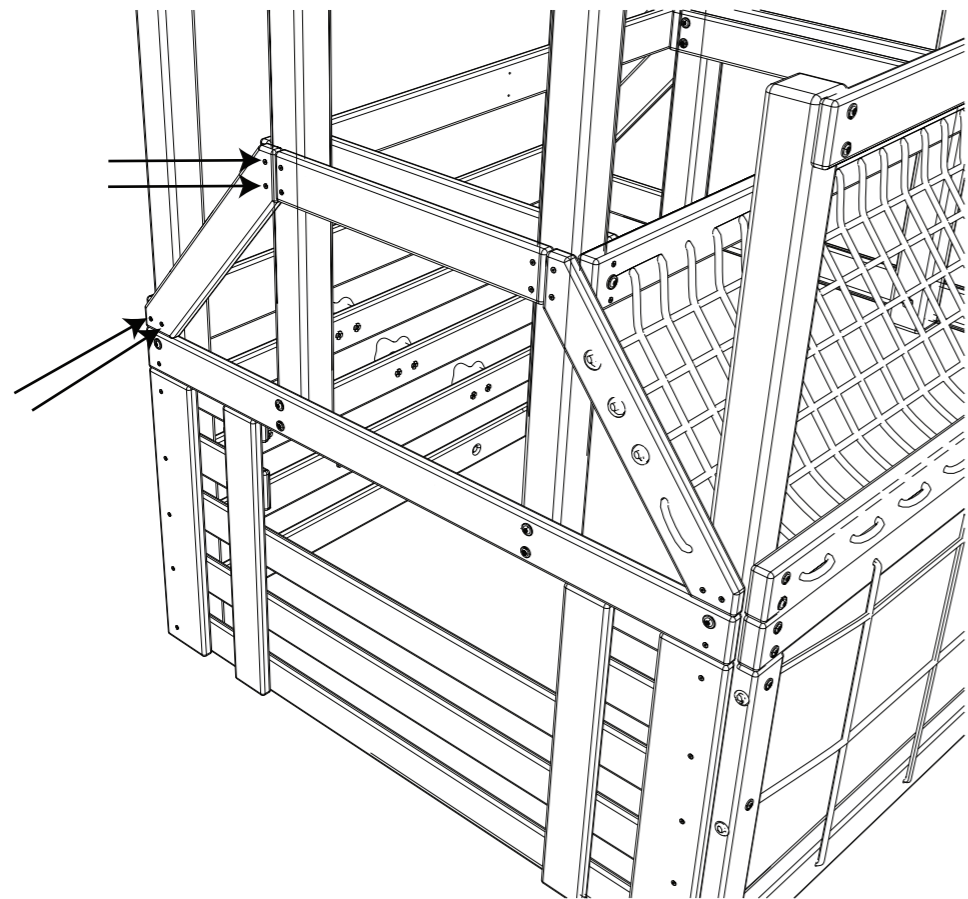
Step 58:

Attach (2) Wall Boards (012) to the Tower Legs (001) and (015) using (8) Screws (S92). Attach (2) Wall Boards (012) to the Tower Legs (014) and (002) using (8) Screws (S92). Ensure the outer edge is aligned with the edge of the Tower Legs and the inner edge is aligned with the previously installed Wall Boards. Note the orientation of the angled edges.



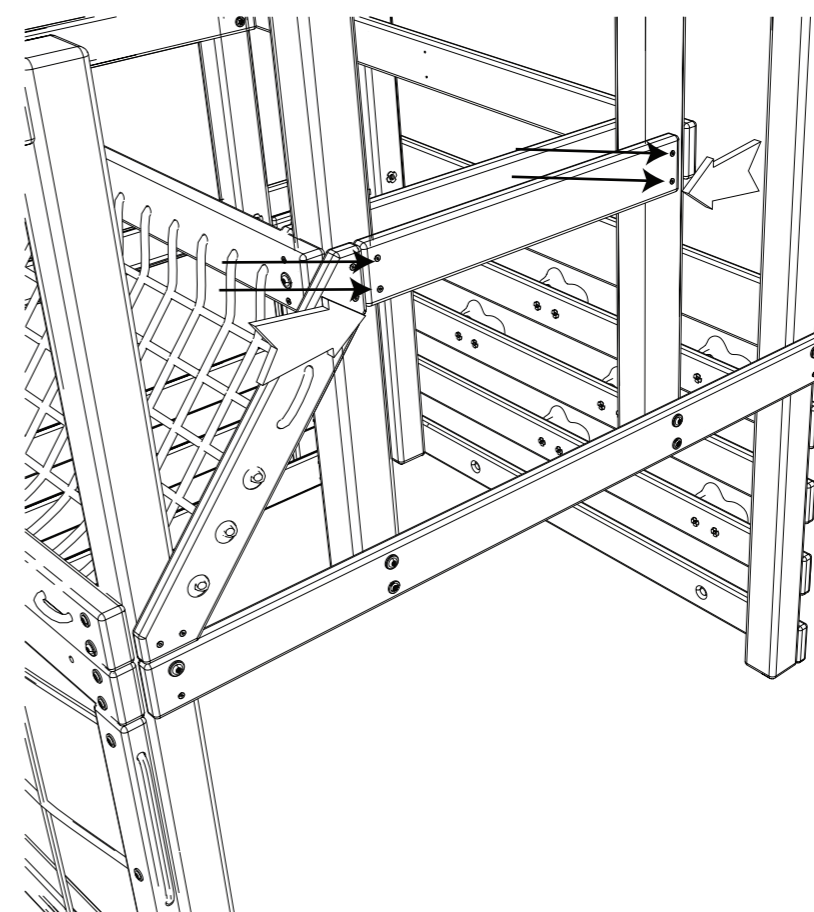
Step 55:

Attach (1) Wall Board (012) to the Tower Legs (001) and (015) using (4) Screws (S92). Ensure that the bottom edge of the Wall Board is aligned with the outer edge of the Rail Board (009) and the top edge is aligned with the Wall Rail Board (013).



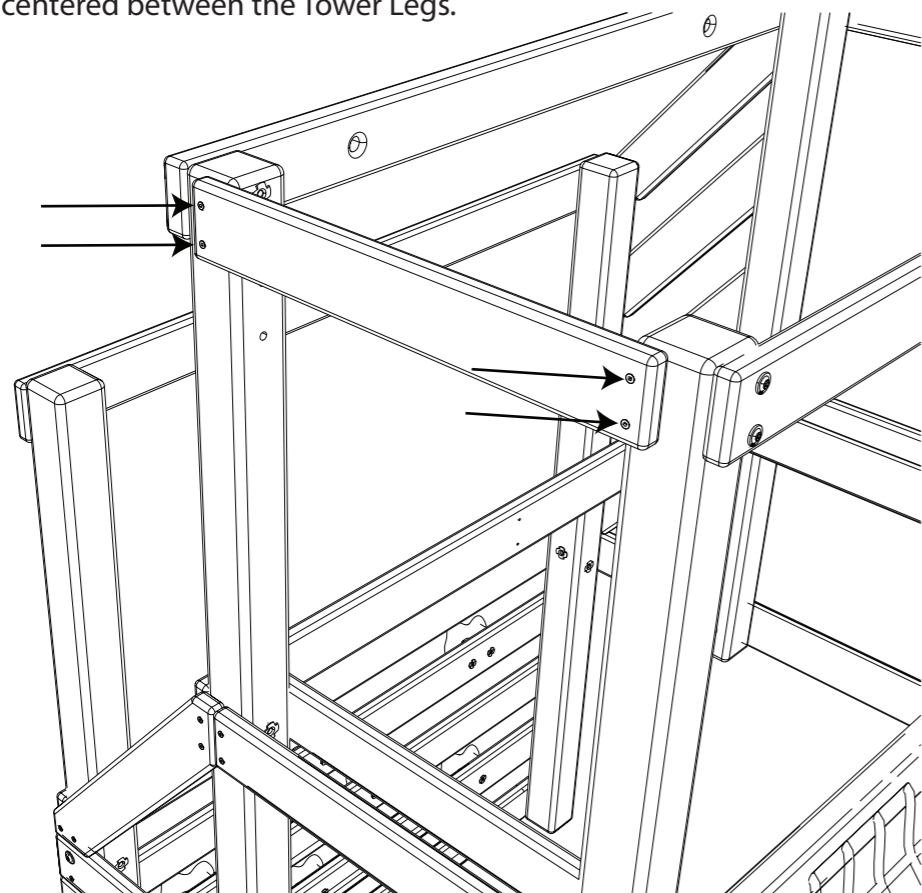
Step 49:

Attach (1) Wall Rail Board (013) to the Tower Legs (014) and (037) using (4) Screws (S92). Ensure that the top edge of the Wall Rail Board is aligned with the top of the Floor Support (018).
Note: The edges of the Wall Rail Board should be centered with the Tower Legs.



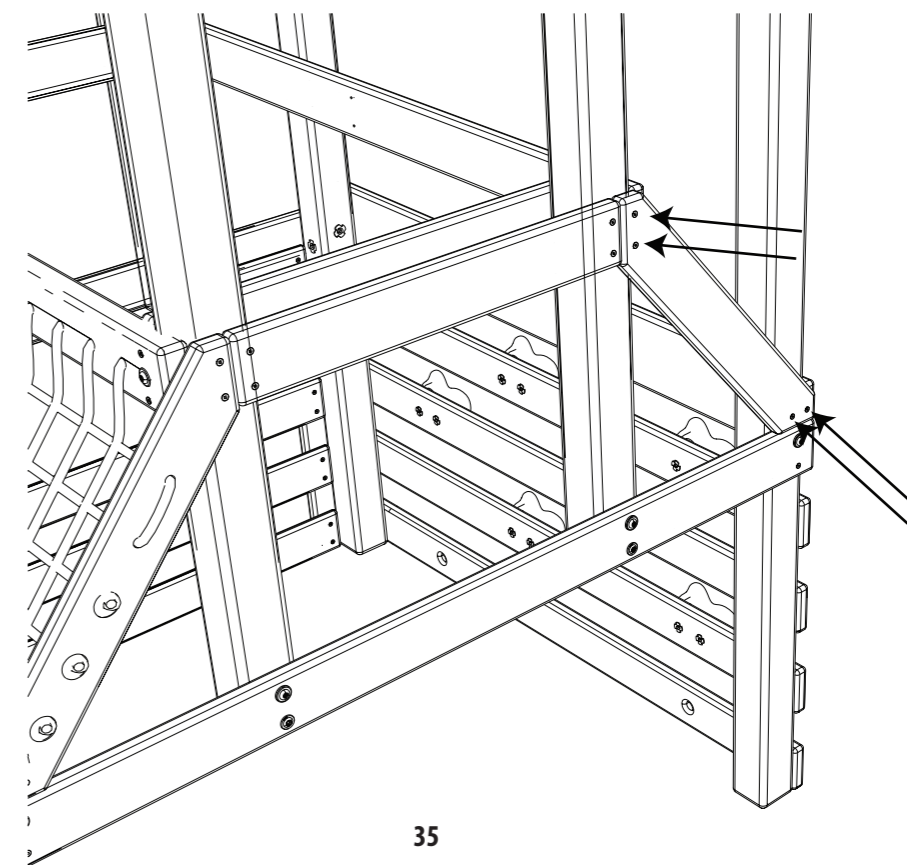
Step 56:

Attach (1) Wall Rail Board (013) to the Tower Legs (015) and (014) using (4) Screws (S92). Ensure the Wall Rail Board is centered between the Tower Legs.



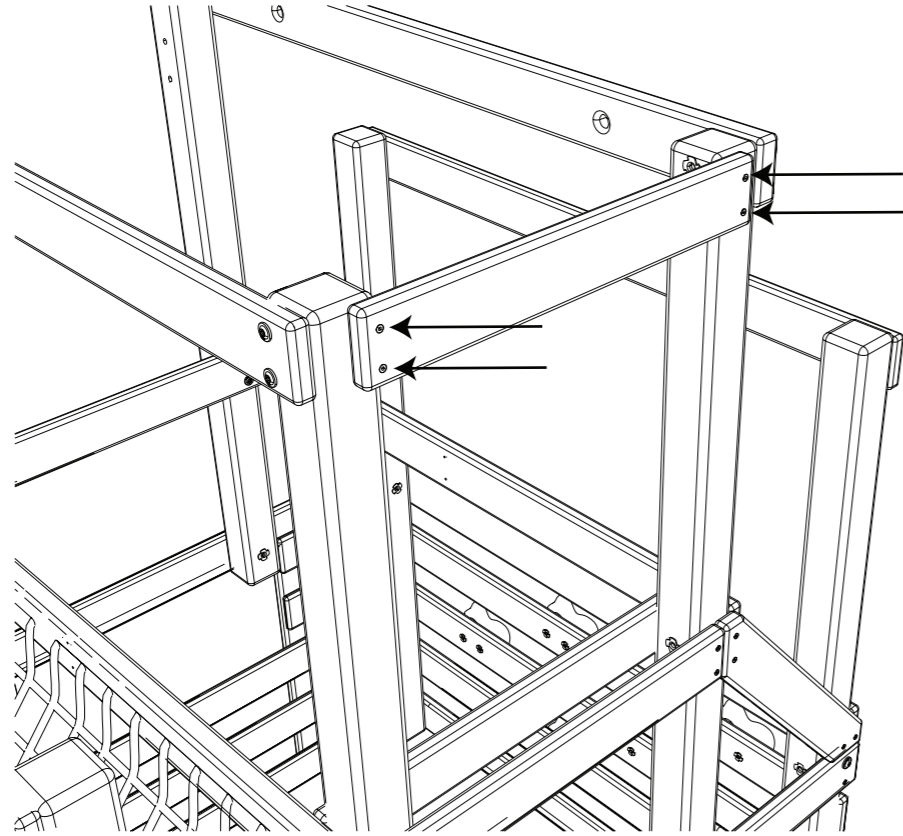
Step 50:

Attach (1) Wall Board (012) to the Tower Legs (037) and (001) using (4) Screws (S92). Ensure the bottom edge of the Wall Board is aligned with the outer edge of the Rail Board (009) and the top edge is aligned with the Wall Rail Board (013).



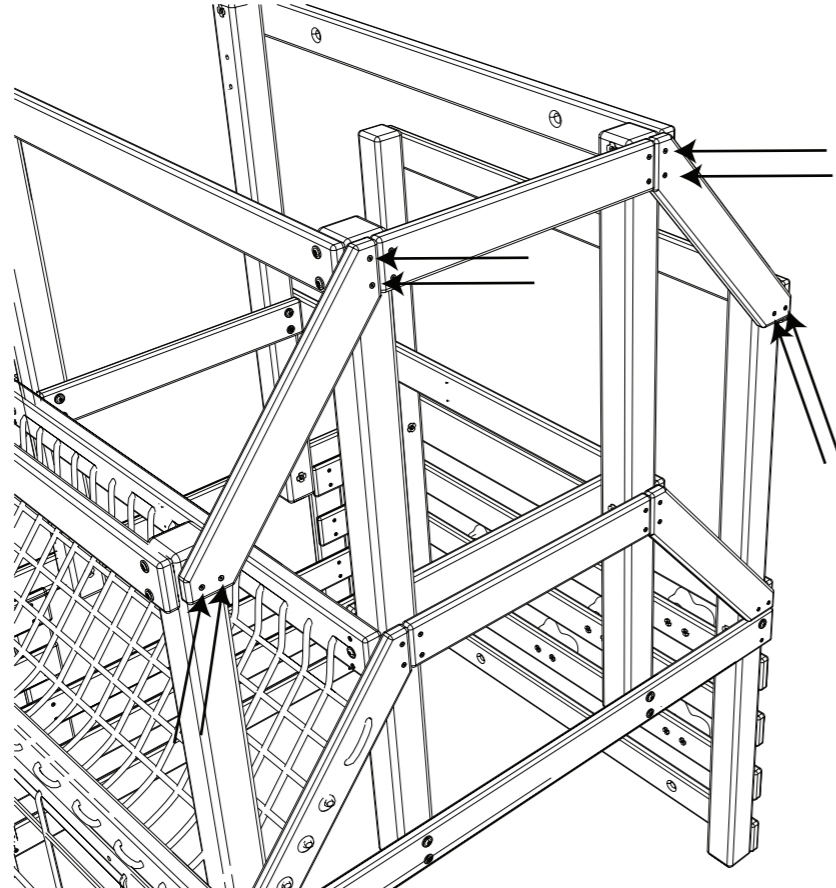
Step 51:

Attach (1) Wall Rail Board (013) to the Tower Legs (014) and (037) using (4) Screws (S92). Ensure the Wall Rail Board is centered between the Tower Legs.



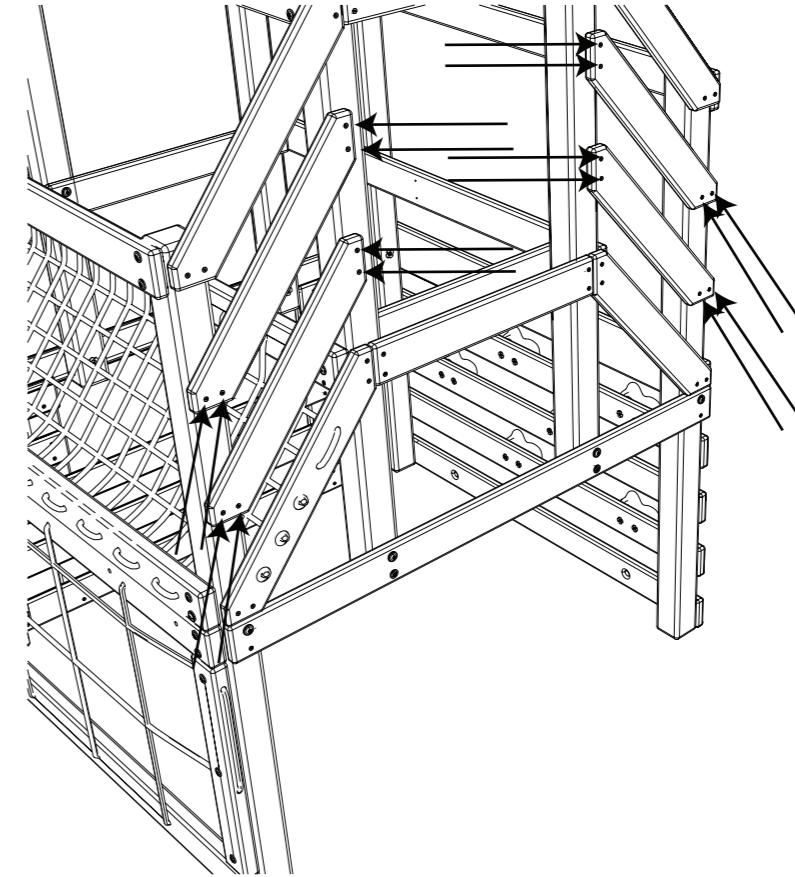
Step 52:

Attach (1) Wall Board (012) to the Tower Legs (002) and (014) using (4) Screws (S92). Attach (1) Wall Board (012) to the Tower Legs (037) and (001) using (4) Screws (S92). Ensure the top of each Wall Board is flush with the top of the Wall Rail Board (013) and that the outer edges are aligned with the edge of the Tower Legs. Note the orientation of the angled edges.



Step 53:

Attach (2) Wall Boards (012) to the Tower Legs (002) and (014) using (8) Screws (S92). Attach (2) Wall Boards (012) to the Tower Legs (037) and (001) using (8) Screws (S92). Ensure that the outer edge is aligned with the edge of the Tower Legs and the inner edge is aligned with the previously installed Wall Boards. Note the orientation of the angled edges.



Step 54:

Attach (1) Wall Rail Board (013) to the Tower Legs (015) and (014) using (4) Screws (S92). Ensure that the top edge of the Wall Rail Board is aligned with the top of the Floor Support (018). Note: The edges of the Wall Rail Board should be centered with the Tower Legs.

