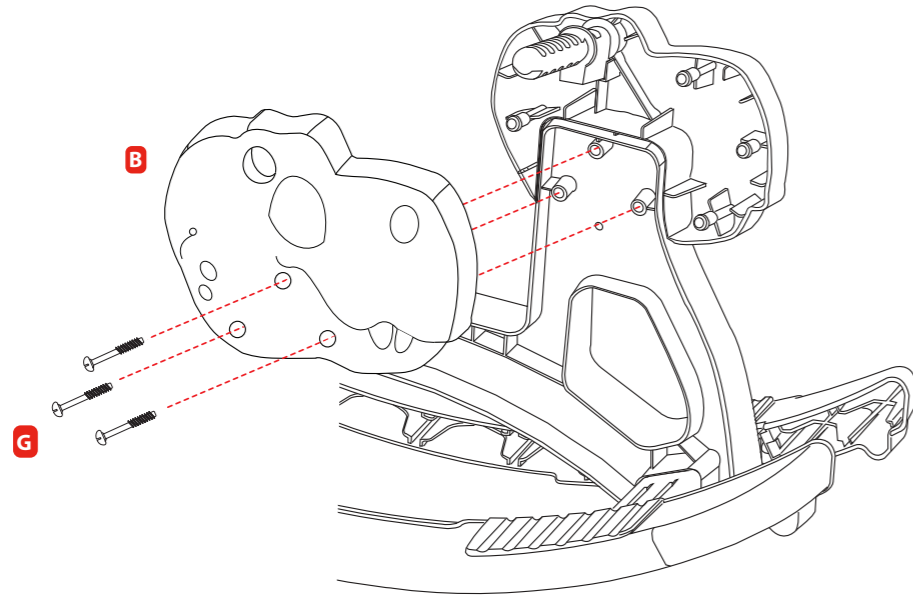


**6****Secure dino head**

Secure the dino right head piece (B) to the body using 3 M3 screws (G).

**3 X**  **G 7x M3 Screws****LIMITED WARRANTY**

The Little Tikes Company makes fun, high quality toys. We warrant to the original purchaser that this product is free of defects in materials or workmanship for one year \* from the date of purchase (dated sales receipt is required for proof of purchase). At the sole election of The Little Tikes Company, the only remedies available under this warranty will be the replacement of the defective part or replacement of the product. This warranty is valid only if the product has been assembled and maintained per the instructions. This warranty does not cover abuse, accident, cosmetic issues such as fading or scratches from normal wear, or any other cause not arising from defects in material and workmanship. \*The warranty period is three (3) months for daycare or commercial purchasers. U.S.A and Canada: For warranty service or replacement part information, please visit our website at [www.littletikes.com](http://www.littletikes.com), call 1-800-321-0183 or write to: Consumer Service, The Little Tikes Company, 2180 Barlow Road, Hudson OH 44236, U.S.A. Some replacement parts may be available for purchase after warranty expires—contact us for details. Outside U.S.A and Canada: Contact place of purchase for warranty service. This warranty gives you specific legal rights, and you may also have other rights, which vary from country/state to country/state. Some countries/states do not allow the exclusion or limitation of incidental or consequential damages, so the above limitation or exclusion may not apply to you.

Please keep this manual as it contains important information.  
Illustrations are for reference only. Styles may vary from actual contents.

The Little Tikes Company, an MGA Entertainment company. LITTLE TIKES® is trademark of Little Tikes in the U.S. and other countries. All logos, names, characters, likenesses, images, slogans, and packaging appearance, not otherwise owned, are the property of Little Tikes.

**Printed in China**

**US/CA** - Little Tikes Consumer Service  
2180 Barlow Road, Hudson, Ohio 44236 U.S.A.  
Phone: 1-800-321-0183  
[blog.littletikes.com/little-tikes-contact-form](http://blog.littletikes.com/little-tikes-contact-form)

**UK** - MGA Entertainment UK Ltd.  
50 Presley Way, Crownhill, Milton Keynes,  
MK8 0ES, Bucks, UK.  
Little Tikes Consumer Services  
P.O. Box 2040 Hockley, Essex, S55 4BF  
Phone: 0 800 521 558  
E-mail: [support@littletikesstore.co.uk](mailto:support@littletikesstore.co.uk)

**EU** - MGA Entertainment (Netherlands) B.V. Baronie 68-70,  
2404 XG, Alphen a/d Rijn, The Netherlands  
Tel: +31-172-758-010  
Email: [klantenservice@mgae.com](mailto:klantenservice@mgae.com)

**AU/NZ** - Imported by MGA Entertainment Australia Pty Ltd.  
Suite 5.05, 32 Delhi Road, Macquarie Park NSW 2113. AU.  
Tel: 1 300 059 676  
Email: [au-sales@mgae.com](mailto:au-sales@mgae.com)



[www.littletikes.com](http://www.littletikes.com)  
[www.littletikes.co.uk](http://www.littletikes.co.uk)  
[www.littletikes.com.au](http://www.littletikes.com.au)



0424-1-E/INT

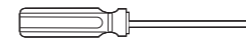
**Easy Rockin' Dinosaur™****1-3  
YEARS**

SKU: 640001

ADULT ASSEMBLY REQUIRED

**ASSEMBLY INSTRUCTIONS**

TOOLS REQUIRED:  
(not included)



Phillips Screwdrivers

**Thank you for choosing the Little Tikes® Easy Rockin' Dinosaur™.**  
We strive to provide a durable, easy-to-assemble toy that is made to last,  
giving your child years of imaginative, engaging fun!

**⚠ WARNING!**

- ADULT ASSEMBLY REQUIRED.
- Prior to assembly, this package contains small parts: hardware which is a choking hazard and may contain sharp edges and sharp points. Keep away from small children until assembled.
- This product is intended for use by children ages 1-3 years.
- Use product on flat, level surfaces free of objects that could cause the Rockin' Dinosaur to tip over. Also, place out of way of household traffic.
- Never use near staircase, steps, pools, hot surfaces or areas that may be hazardous to a child.
- Do not use if damaged or broken.
- Maximum weight limit: 43 lbs (19.7 Kg)

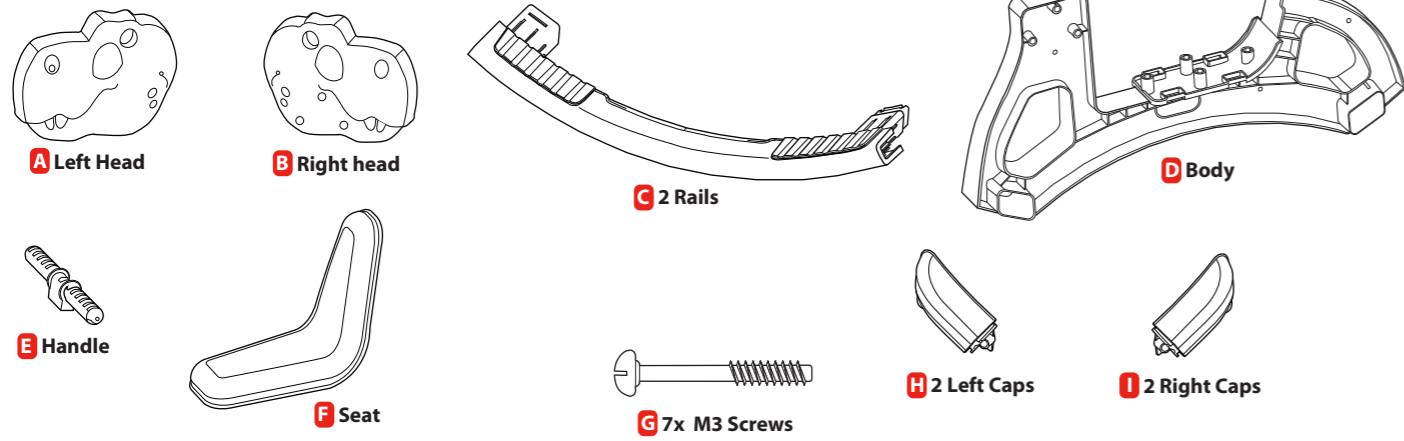
**Let's be careful!**

- Read through all the instructions first.
- Clear a flat surface to lay out all the materials so that everything is close at hand.
- Illustrations are for reference only. Styles may vary from actual contents.
- Please remove all packaging including tags, ties & tacking stitches before giving this product to a child.
- This product is intended for indoor and outdoor use.
- **Make sure you have all contents before assembling. If anything is missing or if you have questions, we're here to help. Send our consumer service team a message using our contact form [blog.littletikes.com/little-tikes-contact-form](http://blog.littletikes.com/little-tikes-contact-form).**

## Before You Start!

BEFORE you begin assembly, make sure you have all the parts listed below.

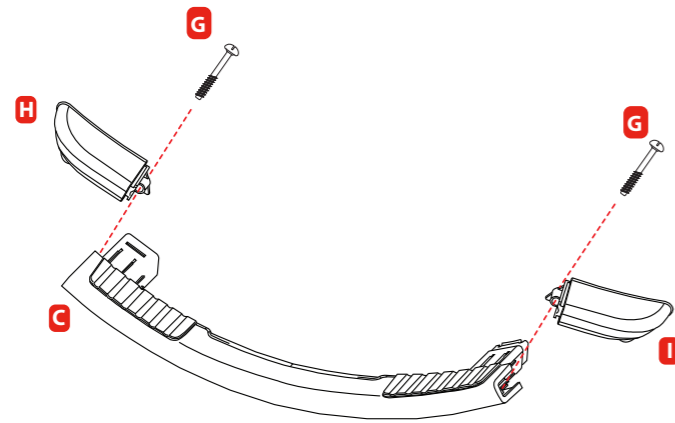
### Contents



## 1 Assemble the rails

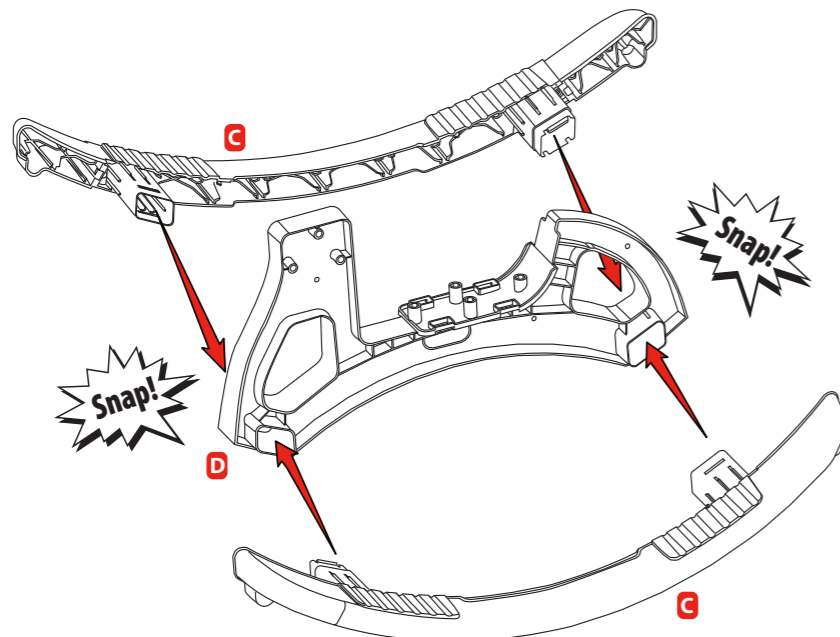
Slide one left cap (H) and one right cap (I) on either end of a rail (C). Then, secure them with 1 M3 screw (G) on each end. Repeat this for the other rail.

4 X  G 7x M3 Screws



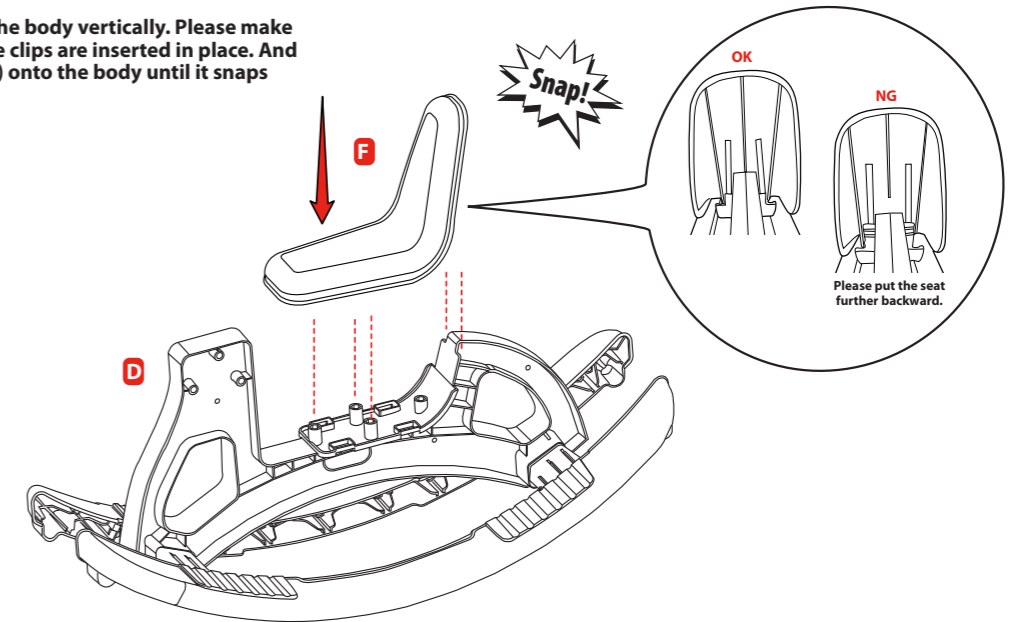
## 2 Snap on rails to the body

Snap the rocker rails (C) onto the body (D). Both rails will fit on either side of the body.



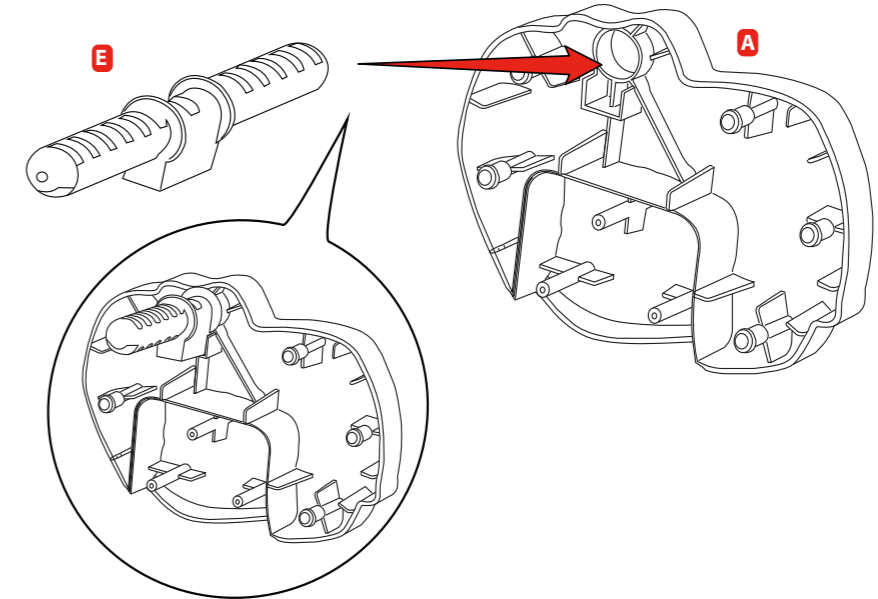
## 3 Add seat

Place the seat (F) on the body vertically. Please make sure the seat backside clips are inserted in place. And then press the seat (F) onto the body until it snaps into place.



## 4 Add handle

Insert one side of the handle (E) into the opening of the dino left head piece (A).



## 5 Attach dino head to body

Align and connect the dino left head piece (A) to the body.

