

IMPORTANT INFORMATION

⚠️ WARNING - ADULT ASSEMBLY ONLY

Handlebar must be assembled to the scooter body by an adult following the instructions in this manual and assembly must be checked prior to every ride to determine scooter's safety. If handlebar is not correctly assembled child should not be allowed to use the Scooter.

⚠️ WARNING - Entanglement Hazard

Please keep clothing, including shoe laces, away from the scooter wheels when riding as they may become entangled in the wheels causing injury to the rider and damage to the scooter.

⚠️ WARNING

- ADULT SUPERVISION AND ASSEMBLY REQUIRED.
- An adult must check the scooter assembly prior to every ride.
- **WARNING! PROTECTIVE EQUIPMENT SHOULD BE WORN**, including helmet, protective pads and gloves.
- Not for children with a body weight of more than 20 kg MAX. (44 LBS MAX.)
- **NOT TO BE USED IN TRAFFIC ON ROADS HIGHWAYS, BUSY STREETS OR PARKING LOTS.**
- **ALWAYS WEAR SHOES WHEN RIDING.**
- Ride only on flat, clean, dry surfaces.
- Avoid bumps, drainage grates, and sudden surface changes which may cause scooter to stop suddenly.
- Avoid streets and surfaces with water, sand, gravel, dirt, leaves and other debris.
- Do not ride around pools or pool areas, steps and inclines
- Do not ride in wet weather as doing so may impair traction, braking and visibility.
- Do not ride at night or in areas of limited visibility.
- Scooter brake may become hot from continuous use. Do not touch scooter wheel after braking.
- Avoid excessive speed associated with downhill rides.
- Obey all local traffic and scooter riding laws and regulations.
- Watch out for pedestrians.
- Do not use scooter at sporting events or for physical training or jumping.
- Ride-on toys should be used with caution since skill is required to avoid falls or collisions which may cause injury to the user or third parties.

LIMITED WARRANTY

The Little Tikes Company makes fun, high quality toys. We warrant to the original purchaser that this product is free of defects in materials or workmanship for one year * from the date of purchase (dated sales receipt is required for proof of purchase). At the sole election of The Little Tikes Company, the only remedies available under this warranty will be the replacement of the defective part or replacement of the product. This warranty is valid only if the product has been assembled and maintained per the instructions. This warranty does not cover abuse, accident, cosmetic issues such as fading or scratches from normal wear, or any other cause not arising from defects in material and workmanship. *The warranty period is three (3) months for daycare or commercial purchasers. U.S.A and Canada: For warranty service or replacement part information, please visit our website at www.littletikes.com, call 1-800-321-0183 or write to: Consumer Service, The Little Tikes Company, 2180 Barlow Road, Hudson OH 44236, U.S.A. Some replacement parts may be available for purchase after warranty expires—contact us for details. Outside U.S.A and Canada: Contact place of purchase for warranty service. This warranty gives you specific legal rights, and you may also have other rights, which vary from country/state to country/state. Some countries/states do not allow the exclusion or limitation of incidental or consequential damages, so the above limitation or exclusion may not apply to you.

Please keep this manual as it contains important information.



0914-0-C

© The Little Tikes Company,
an MGA Entertainment company.
LITTLE TIKES® is a trademark of Little Tikes
in the U.S. and other countries. All logos,
names, characters, likenesses, images, slogans,
and packaging appearance are the property of
Little Tikes.
Little Tikes Consumer Service
2180 Barlow Road
Hudson, OH 44236 U.S.A.
1-800-321-0183
Printed in China

MGA Entertainment UK Ltd.
50 Presley Way
Crownhill
Milton Keynes
MK8 0ES
Bucks UK
0800 521 558
www.littletikes.com
www.littletikes.co.uk

little tikes.

Visit our website at
www.littletikes.com
to register your
product online!

little tikes.

Lean to Turn Scooter

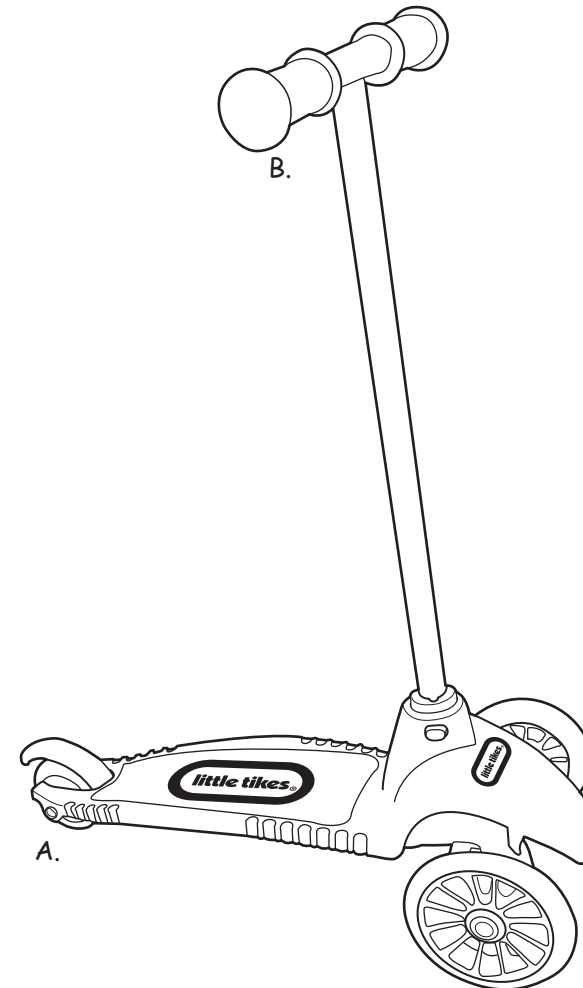
Age 2-4 years

ADULT SUPERVISION AND ASSEMBLY REQUIRED

638152C/638169C

CONTENTS

- A. 1 Little Tikes® Lean to Turn Scooter
- B. 1 Handle

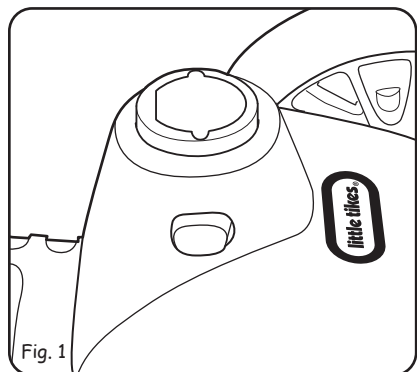


Illustrations are for reference only. Styles may vary from actual contents.

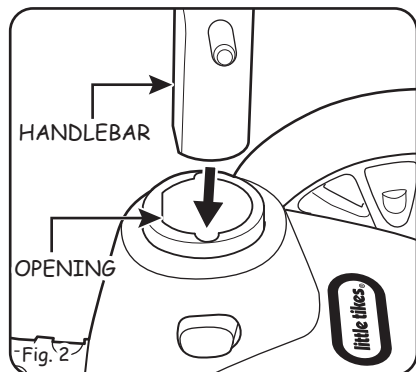
ASSEMBLING THE SCOOTER

⚠ WARNING - ADULT ASSEMBLY ONLY

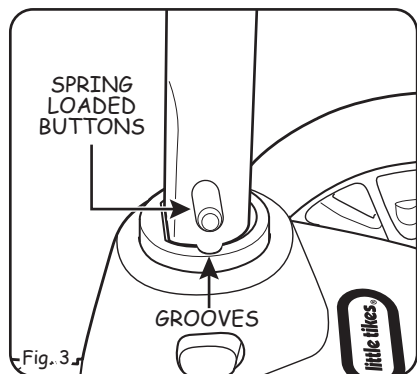
Handlebar must be assembled to the scooter body by an adult as per the directions on pages 2 and 3. An adult must check the assembly prior to every ride. If handlebar is not correctly assembled child should not be allowed to use the Scooter.



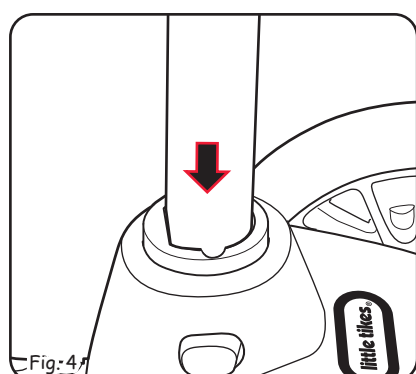
1. Place the scooter body on a flat, level surface. (Fig. 1)



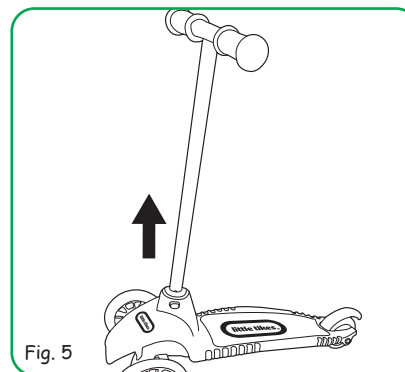
2. Place end of the scooter handlebar over the body opening. (Fig. 2)



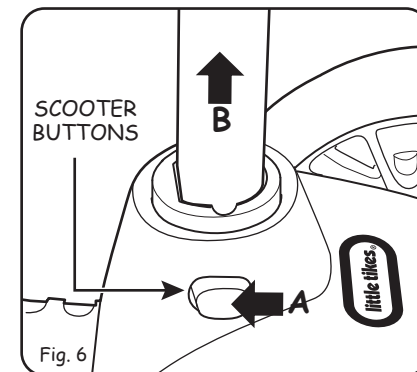
3. Slide the end of the handlebar into the opening making sure the spring loaded buttons on both sides of the handlebar fit into the grooves in the opening. (Fig. 3)



4. Press down on the handlebar **forcefully** until you hear the buttons click into place. (Fig. 4)



5. Once assembled, lift the scooter by the handle bar to make sure it is locked firmly in place. (Fig. 5)



6. To remove handlebar press both scooter buttons on the scooter neck at the same time (A) and lift the handlebar upward (B). (Fig. 6)

RIDING THE SCOOTER

⚠ CAUTION

READ AND FOLLOW SAFETY INSTRUCTIONS IN THIS MANUAL BEFORE RIDING YOUR SCOOTER.

1. Hold the handlebars firmly and place one foot on the deck of the scooter.
2. Use the other foot to propel the scooter forward.
3. While moving forward and holding the handlebars firmly, lean slightly right or left on the scooter deck to steer the scooter.

STOPPING THE SCOOTER

While moving forward you can slow and/or stop the scooter by pressing down slowly but firmly on the rear wheel fender with the heel of your shoe. (Fig. 7) This will enable you to come to a safe stop.

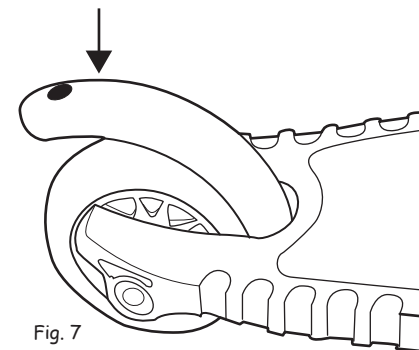


Fig. 7