

BATTERY SAFETY INFORMATION

- Use only size “AA” (LR6) alkaline batteries (4 required).
- Charging of rechargeable batteries should only be done under adult supervision.
- Remove rechargeable batteries from the product before recharging.
- Do not mix old and new batteries.
- Do not mix alkaline, standard (carbon-zinc), or rechargeable batteries.
- Be sure to insert the batteries correctly and follow the toy and battery manufacturer’s instruction.
- Always remove exhausted or dead batteries from the product.
- Dispose of dead batteries properly: do not burn or bury them.
- Do not attempt to recharge non-rechargeable batteries.
- Avoid short-circuiting battery terminals.
- Remove batteries before placing the unit into storage for a prolonged period of time.

FCC COMPLIANCE

NOTE: This equipment has been tested and found to comply with the limits for a Class B digital device, pursuant to Part 15 of the FCC Rules. These limits are designed to provide reasonable protection against harmful interference in a residential installation. This equipment generates, uses and can radiate radio frequency energy and, if not installed and used in accordance with the instructions, may cause harmful interference to radio communications. However, there is no guarantee that interference will not occur in a particular installation. If this equipment does cause harmful interference to radio or television reception, which can be determined by turning the equipment off and on, the user is encouraged to try to correct the interference by one or more of the following measures:

- Reorient or relocate the receiving antenna.
 - Increase the separation between the equipment and receiver.
 - Connect the equipment into an outlet on a circuit different than that to which the receiver is connected.
 - Consult the dealer or an experienced radio/TV technician for help.
- This device complies with Part 15 of the FCC Rules. Operation is subject to the following two conditions: (1) This device may not cause harmful interference, and (2) this device must accept any interference received, including interference that may cause undesired operation.

Caution: Modifications not authorized by the manufacturer may void user’s authority to operate this device.
CAN ICES-3 (B)/NMB-3(B).

LIMITED WARRANTY

The Little Tikes Company makes fun, high quality toys. We warrant to the original purchaser that this product is free of defects in materials or workmanship for one year * from the date of purchase (dated sales receipt is required for proof of purchase). At the sole election of The Little Tikes Company, the only remedies available under this warranty will be the replacement of the defective part or replacement of the product. This warranty is valid only if the product has been assembled and maintained per the instructions. This warranty does not cover abuse, accident, cosmetic issues such as fading or scratches from normal wear, or any other cause not arising from defects in material and workmanship. *The warranty period is three (3) months for daycare or commercial purchasers. U.S.A and Canada: For warranty service or replacement part information, please visit our website at www.littletikes.com, call 1-800-321-0183 or write to: Consumer Service, The Little Tikes Company, 2180 Barlow Road, Hudson OH 44236, U.S.A. Some replacement parts may be available for purchase after warranty expires—contact us for details. Outside U.S.A and Canada: Contact place of purchase for warranty service. This warranty gives you specific legal rights, and you may also have other rights, which vary from country/state to country/state. Some countries/states do not allow the exclusion or limitation of incidental or consequential damages, so the above limitation or exclusion may not apply to you.



‘Let’s care for the environment!’

The wheeled bin symbol indicates that the product and its batteries must not be disposed of with other household waste. Please use designated collection points or recycling facilities when disposing of the item.

Please keep this manual as it contains important information.
Illustrations are for reference only. Styles may vary from actual contents.

© The Little Tikes Company, an MGA Entertainment company. LITTLE TIKES® is a trademark of Little Tikes in the U.S. and other countries. All logos, names, characters, likenesses, images, slogans, and packaging appearance are the property of Little Tikes.

Printed in China

US/CA - Little Tikes Consumer Service

2180 Barlow Road, Hudson, Ohio 44236 U.S.A.
Phone: 1-800-321-0183
E-mail: service@littletikescare.com

UK - MGA Entertainment UK Ltd. 50 Presley Way, Crownhill, Milton Keynes, MK8 0ES, Bucks, UK.

Little Tikes Consumer Services
P.O. Box 2040 Hockley, Essex, S55 4BF
Phone: 0 800 521 558

EU - MGA Entertainment (Netherlands) B.V. Baronie 68-70, 2404XG, Alphen a/d Rijn, The Netherlands

Tel: +31-172-758-010
Email: klantenservice@mgae.com

AU/NZ - Imported by MGA Entertainment Australia Pty Ltd. Suite 5.05, 32 Delhi Road,

Macquarie Park NSW 2113. AU.
Tel: 1 300 059 676
Email: au-sales@mgae.com



www.littletikes.com
www.littletikes.co.uk
www.littletikes.com.au

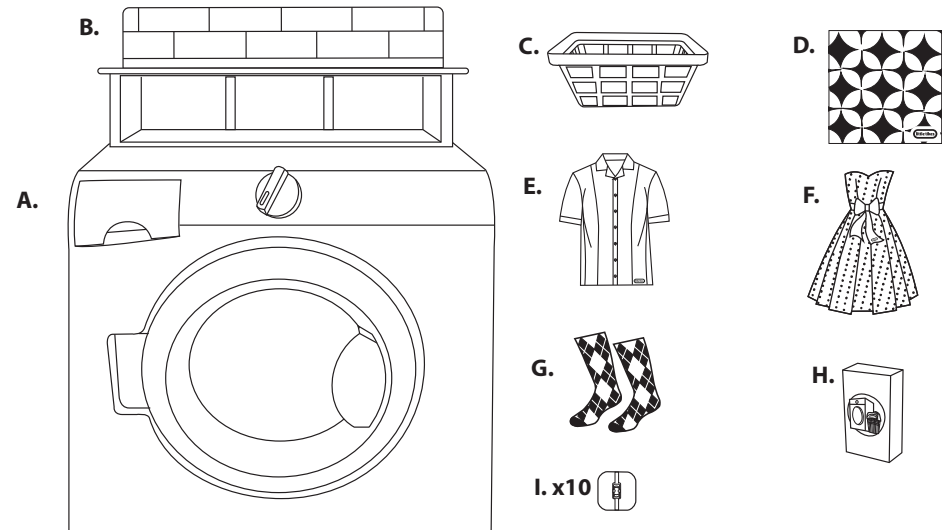


SKU: 488177
AGES 2+ YEARS
ADULT ASSEMBLY REQUIRED

CONTENTS

- | | | |
|---------------------------------------|------------|-----------------------|
| A. 1 Little Tikes® Retro Washer-Dryer | D. 1 Towel | G. 2 Socks |
| B. 1 Top Table | E. 1 Shirt | H. 1 Box of Detergent |
| C. 1 Basket | F. 1 Dress | I. 10 Screws |

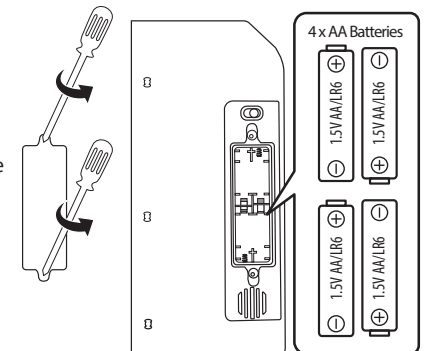
- NOTES: • The top table is packed out in the back of the washer-dryer.
• Make sure to remove and discard all tape and packaging material before beginning.
• The unit comes with 10 screws, but only 9 are needed for assembly.



REPLACING THE BATTERIES

Before assembly, an adult must install fresh alkaline batteries (not included) in the unit. Here’s how:

1. Using a Phillips screwdriver (not included) remove the screws and battery compartment cover on the side of the washer-dryer.
2. Install four (4) 1.5V AA (LR6) alkaline batteries (not included) making sure the (+) and (-) ends face the proper direction as indicated inside the battery compartment.
3. Replace the compartment cover and tighten the screws.



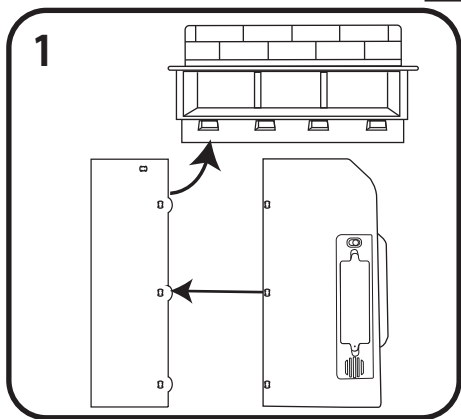
⚠ WARNING:

- Do not pour water into the washer-dryer. This unit is a toy and not intended to be used like a real washing machine.
- Only use the clothes included. Do not use real clothes or detergent with the washer-dryer.
- Do not place your hand or any other objects inside the washer-dryer.

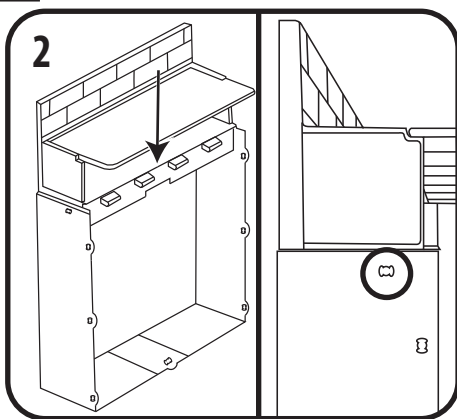
IMPORTANT INFORMATION

- Clean accessories thoroughly before use. Only use a damp cloth to clean the unit. Keep water away from the battery compartment.
- Product will go into sleep mode after 30 seconds of inactivity. Turn the knob to turn it back on.
- Opening the door while the drum is rotating will stop the drum.
- If the washer-dryer's door detaches from the hinges, replace it into the hinges and close the door.

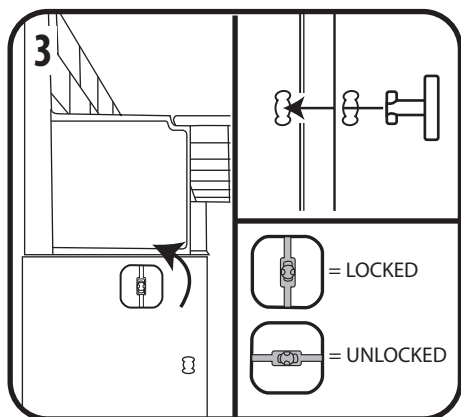
ASSEMBLY



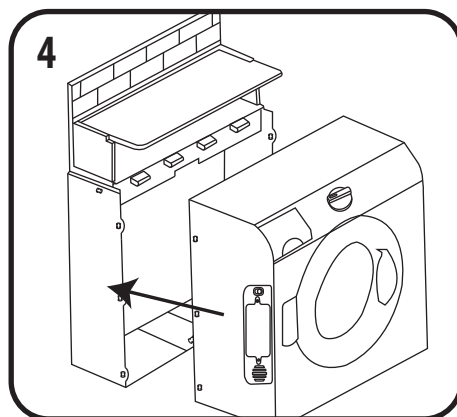
1 Pull out the back wall of the washer-dryer and remove the top table. For a better grip, pull it out from the bottom.



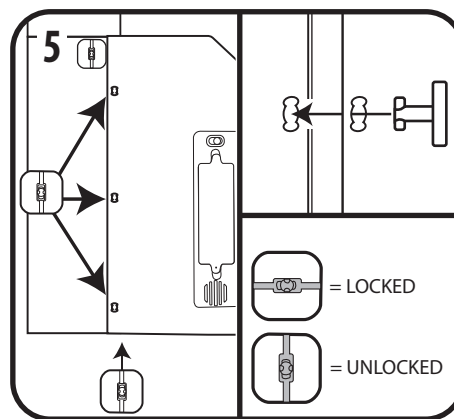
2 Insert the top table on top of the back wall of the washer-dryer. The openings on each side should align.



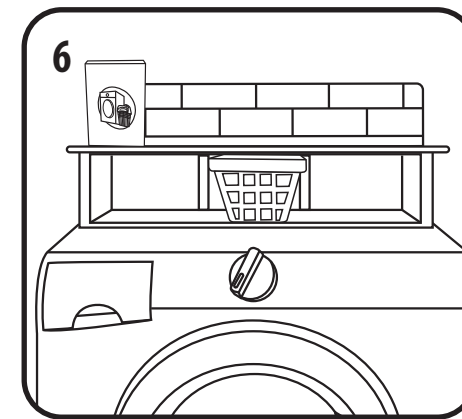
3 Insert a screw on each side of the top table and turn the screw to lock in place. The screw should enter both openings.



4 Slide the front of the washer-dryer into the table, making sure the openings on the sides and the one on the bottom align.



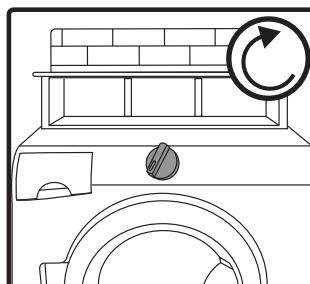
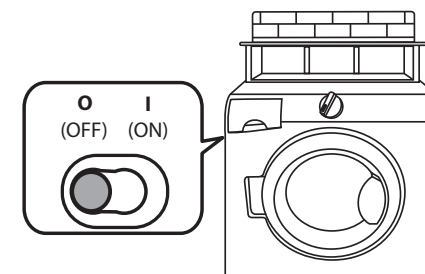
5 Insert three screws on each side and one screw on the bottom. Make sure the screw enters both openings. Then, turn the screw to lock in place.



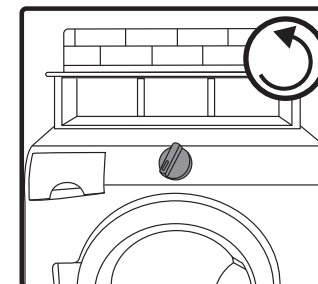
6 Store the basket in the slots under the table.

USING THE WASHER-DRYER

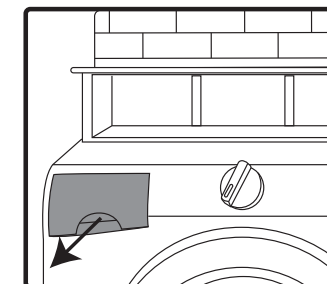
Before beginning, move the switch on the side of the washer-dryer from the OFF (O) position to the ON (I) position. Always turn the unit OFF (O) after use to conserve battery power.



Turn the knob clockwise to start the cycle. The unit will make washing machine sounds and the drum will rotate. Continue turning clockwise to go through each cycle. There are four cycles: wash, drain, spin and end.



Turn the knobs counterclockwise to turn off the sounds and drum.



Detergent drawer slides out. Pull to open.

NOTE: If the drum does not turn, replace the batteries with fresh, alkaline batteries.