



# REXENER

PREMIUM HOT TUBS FROM THE NORTH





# IT ALL STARTED WITH A DREAM

The story of the REXENER hot tubs began with one man's dream. A lot of thinking, planning, parts manufacture, trial and error. The unique hot tubs got created with patience and the result is stunning. Handmade premium hot tubs with Finnish high-quality raw materials.

Initially, the hot tub entrepreneur just set out to earn a little extra income. However, he soon found himself working all night long as orders kept flowing in. By June 2020, he had already sold almost 1,400 hot tubs. An excellent product in high demand, the hot tubs are now backed up by a top international team.

## *Finnish craftsmanship*

The premium, handmade fibreglass hot tub found a niche in a market saturated with mass-produced products. The uncompromising quality and level of finish, convinced the customers. Every hot tub manufactured and sold, brought new customers at an increasing pace.

## *The best-quality hot tubs on the market*

Even with all the Finnish 'sisu' in play, over 300 hot tubs a year in a one-man garage workshop was beginning to take its toll. The time had come to take the next step towards conquering the world. Together with Rex Nordic, the one-man workshop developed into a Nordic team of nearly 30 people. We are continuing the story by building the best hot tubs in the market for future generations.

## *Inspired by northern nature*

The colours and material choices of the REXENER hot tubs are inspired by northern nature. The pool colours, for example, reflect the building blocks of the dream-like winter landscape – white snow and the black granite stone of the north – Gabro.







REXENER Hot tubs – Uncompromising quality





# REXENER *Silence*

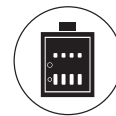
*The Rexener Silence is a high-quality fibreglass hot tub, handmade in Finland. Enjoying the silence and atmospheric wood stove of the hot tub, bringing you closer to nature. The Rexener Silence hot tub is heat-insulated throughout, so you can use it all-year-round as long as the water does not freeze.*

## **AN EFFICIENT TRADITIONAL WOOD STOVE**

*The energy-efficient TK-35 wood stove heats the hot tub fast – at a rate of up to 15 °C per hour!*



For year-round use



Atmospheric wood stove



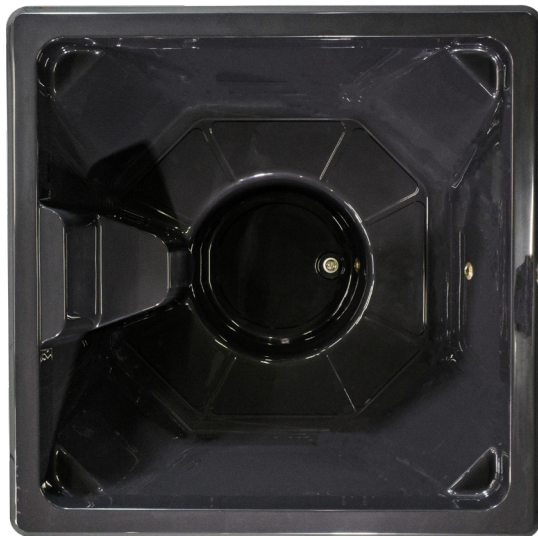
Quiet



No electricity required



Pool colour: Gabro Black







REXENER *Silence* – Enjoy the silence





# REXENER *Aurora*

*Rexener Aurora warms up quickly and effortlessly, thanks to the advanced Rexener PR-200 water heater. Press the button, and the hot tub warms up in as little as two hours! With pool chemicals, you can keep the water clean for a long time.*

## **HIGH-QUALITY HOT TUB WITH AN ADVANCED HEATING SYSTEM**

*No more chopping wood! Press the button, and the heater takes care of the rest. The heating time is considerably shorter than when heating with wood. Keeps the temperature constant – no more excessively cold or hot water.*



Quiet



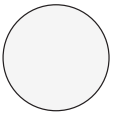
Easy and fast heating



For year-round use



Keeps the water clean



Pool colour: Arctic White





## TECHNOLOGY

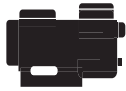
Read more on page 16.



REXENER PR200  
water heater



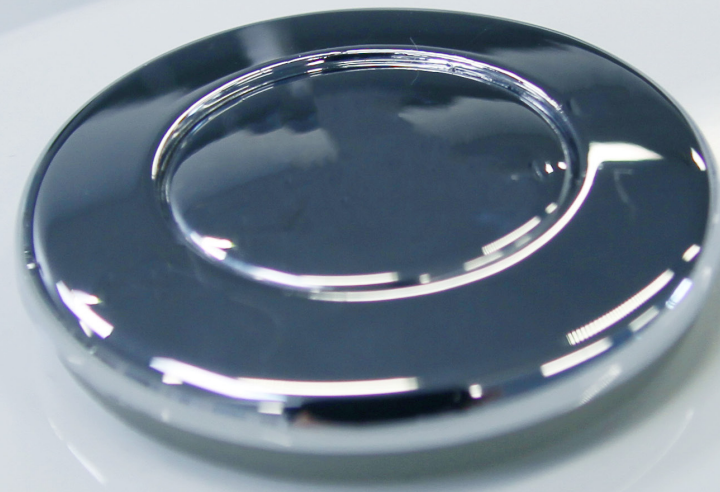
Mass filter and  
fibre balls



Water circulation  
pump



Led-light



REXENER *Aurora* - A NEW ERA OF HOT TUBS





# REXENER *Polar*

*Handmade in Finland, the Rexener Polar is a high-quality, premium hot tub with a wooden frame and fibreglass pool. The heating time is considerably shorter than when heating with wood. A filter and pool chemicals ensure that the water stays clean for a long time. A jet system for a touch of luxury. Optional pool colours: Gabro Black or Arctic White.*

## **HOT TUB WITH ALL THE BELLS AND WHISTLES**

*This hot tub has it all. A thermostat-controlled Rexener PR200 water heater, water circulation pump, mass filter, lights and a jet system with eight nozzles.*



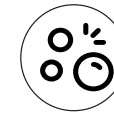
Easy and fast heating



For year-round use



Keeps the water clean



Jet system



Optional colours:  
Gabro Black or  
Arctic White



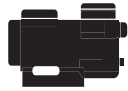




REXENER PR200  
water heater



Mass filter  
and fibre balls



Water circulation  
pump



LED light



Jet system

## TECHNOLOGY

Read more on page 16.



REXENER *Polar* - Luxury hot tub with bubbles



# TECHNICAL SPECIFICATIONS & PRODUCT SUMMARY

*Water capacity: 1,300–1,500 litres*

*People capacity: 4–8*

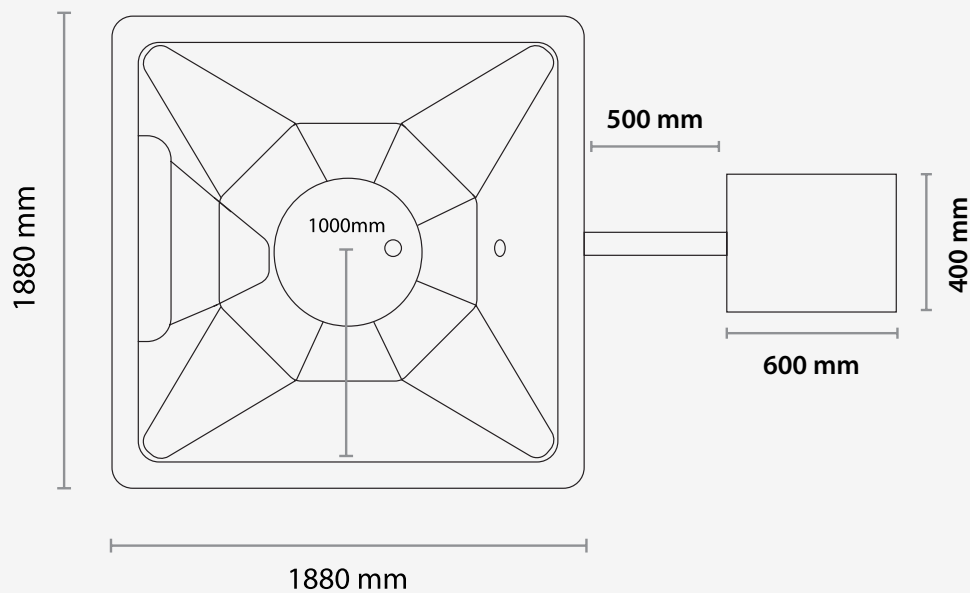
*Pool dry weight, approx.: 200 kg*

*Wood stove weight, approx.: 50 kg*

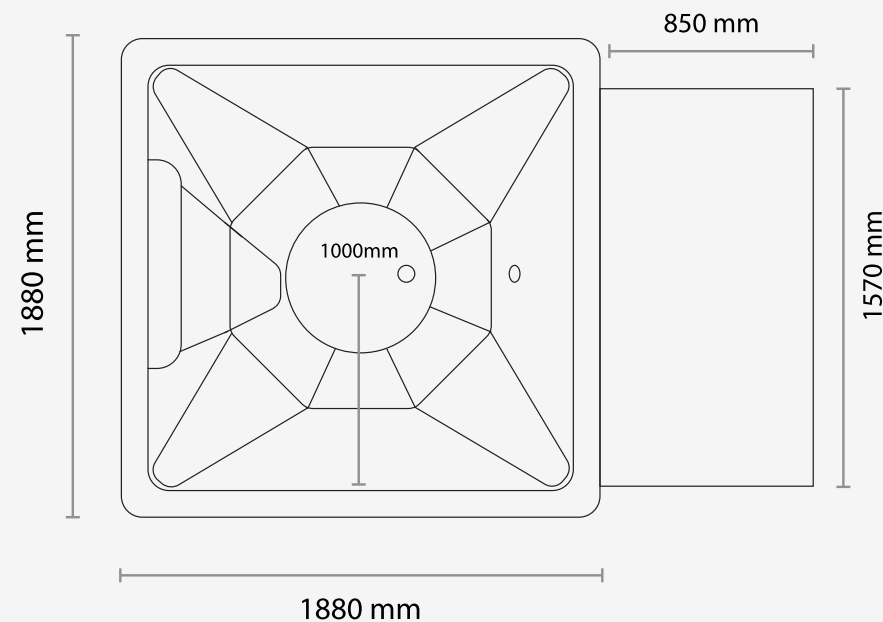
*Removable side walls*

*Protective housing (incl. technology), approx.: 100 kg*

## REXENER *Silence*



## REXENER *Aurora / Polar*







## REXENER *Silence*

-   
Quiet
-   
Atmospheric
-   
For year-round use
-   
No electricity required
-   
Pool colour: Gabro Black

### FIBREGLASS POOL

Durable and easy to keep clean.

### WOODEN FRAME AND CLADDING

From a Finnish sawmill

### TK-35 WOOD STOVE

An efficient, traditional wood stove

### THERMAL INSULATION

The hot tub is fully insulated

## REXENER *Aurora*

-   
Quiet
-   
Easy and fast heating
-   
For year-round use
-   
Keeps the water clean
-   
Pool colour: Arctic White

### FIBREGLASS POOL

Durable and easy to keep clean.

### WOODEN FRAME AND CLADDING

From a Finnish sawmill

### REXENER PR200 WATER HEATER

Thermostat-controlled heating. Works with biodiesel, for example.

### THERMAL INSULATION

The hot tub is fully insulated

### THERMAL INSULATED PROTECTIVE HOUSING

Inc. heater, tank, water circulation pump and mass filter

### WATER CIRCULATION PUMP

### MASS FILTER

Keeps the water clean for a long time

### LED LIGHT

## REXENER *Polar*

-   
Jet system kit
-   
Easy and fast heating
-   
For year-round use
-   
Keeps the water clean
-   
Gabro Black or Arctic White

### FIBREGLASS POOL

Durable and easy to keep clean.

### WOODEN FRAME AND CLADDING

From a Finnish sawmill

### REXENER PR200 WATER HEATER

Thermostat-controlled heating. Works with biodiesel, for example.

### THERMAL INSULATION

The hot tub is fully insulated

### THERMAL INSULATED PROTECTIVE HOUSING

Inc. heater, tank, water circulation pump and mass filter

### WATER CIRCULATION PUMP

### MASS FILTER

Keeps the water clean for a long time

### LED LIGHT

### JET SYSTEM



**A warm hot tub in just two hours – with a push of a button!**

Included in the REXENER *Aurora* and REXENER *Polar* hot tubs.

Also sold separately – replace your old wood stove with an advanced REXENER water heater!



## REXENER PR200 WATER HEATER

Press the button and adjust the temperature: the REXENER PR200 will heat up your hot tub or swimming pool in no time. The heating time of the water is considerably shorter than when heating with wood. The Rexener keeps the water temperature constant.

- » Works with biodiesel, diesel or fuel oil.
- » Low consumption. Maintaining a stable temperature is easy and inexpensive.
- » Precise thermostat control 0–45 °C.
- » Also for replacing existing wood stoves.
- » Heats the water in no time.
- » No visible smoke - suitable for use in residential areas.
- » Efficient heating, 20 kW.
- » Suitable for all outdoor hot tubs and even large swimming pools.
- » Quiet, max. only 48 dB.

### EXAMPLE OF CONSUMPTION

- Tub water volume: 1,500 L
- Heating time from +7 °C to +38 °C approx. 2 h
- Heating costs only about €4



Fast heating: warm hot tub in just 2 hours



Heating starts with the push of a button.



For year-round use



No visible smoke - use also in residential areas



Low consumption. Economical.

### FUEL TANK

The tank is supplied with the REXENER PR200 water heater.





# POPULAR REXENER PR200 PRODUCT KITS

*You can replace any traditional wood stove with an advanced REXENER PR200 water heater. Even suitable for large swimming pools.*

## PR200 *Basic*

*For those with an existing water circulation pump and installation supplies*



**REXENER PR200 WATER HEATER**  
Incl. heater, chimney and tank

## PR200 *Bronze*

*For those with an existing water circulation pump.*



**REXENER PR200 WATER HEATER**  
Incl. heater, chimney and tank

**INSTALLATION KIT**  
Incl. everything needed for installation\*

## PR200 *Silver*

*The perfect kit to replace a wood stove.*



**REXENER PR200 WATER HEATER**  
Incl. heater, chimney and tank

**INSTALLATION KIT**  
Incl. everything needed for installation\*

**WATER CIRCULATION PUMP**  
Read more about the water circulation pump on p. 16.

## PR200 *Gold*

*The perfect kit to replace a wood stove. With filter.*



**REXENER PR200 WATER HEATER**  
Incl. heater, chimney and tank

**INSTALLATION KIT**  
Incl. everything needed for installation\*

**WATER CIRCULATION PUMP**  
Read more about the water circulation pump on p. 16.

**MASS FILTER**  
Read more about the mass filter on p. 16.

**FILTER FIBRE BALLS**

*An ideal package  
also for  
swimming pools!*

- » *The Rexener PR200 water heater is so efficient that it requires a water circulation pump to circulate the water.*
- » *With a mass filter and pool chemicals, you can keep the hot tub water clean for a long time – up to several months!*
- » *\*The installation kit includes three meters of water hose, the required (6–8 pcs) acid-resistant hose clips, and outlets (optional sizes 38, 40, 50 or 75 mm)*



# ACCESSORIES

## REXENER INSULATED COVER

The insulation cover is stylish and easy to handle. It provides an efficient way to keep your hot tub warm and clean. The colour of the cover is dark grey. A weatherproof Marine Grade artificial leather finish. Size: 191 x 191 cm. Thickness: 9.5 cm. Optional locking mechanism.



*Clip locking to keep the cover in place*

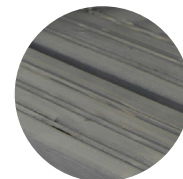


**Note! Both the cover and stairs are sold separately to the hot tubs**

*Check out our other products and accessories as well on our website: [www.r.com](http://www.r.com)*

## REXENER STAIRS

Stairs are an essential hot tub accessory. They provide for an easy and safe ascent into the hot tub. The stairs are pre-assembled and can be easily mounted on the side of the hot tub. Handmade in Finland.



*Robust and safe*



## ADD A TOUCH OF LUXURY

Great towels and other textiles for that perfect hot tub experience. More information at [www.rexener.com](http://www.rexener.com)







REXENER hot tubs – Made in Finland



# HOT TUB TECHNOLOGY

## MASS FILTER

The filter keeps the hot tub water clean for a long time. You can keep the same water in the hot tub for up to several months. Comes with the required number of filter fibre balls included.

Included in the REXENER *Aurora* and REXENER *Polar* hot tubs.

*Keeps the hot tub water clean*



## WATER CIRCULATION PUMP

The Rexener PR200 water heater is so efficient that it requires a high-volume water circulation pump to circulate the water. The capacity of the Rexener water circulation pump is 6,100 l/h.

Included in the REXENER *Aurora* and REXENER *Polar* hot tubs.

*Efficient and high-quality*



## JET SYSTEM

An efficient air pump and eight jet nozzles bring a touch of luxury to the bathing experience.

Included in the REXENER *Polar* hot tub.

*A touch of luxury for your hot tub experience*

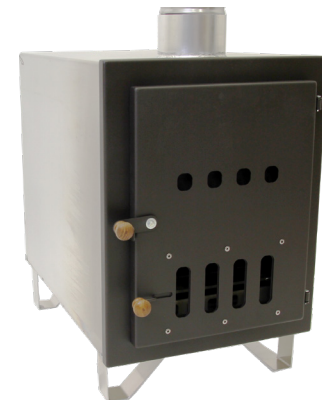


## WOOD STOVE

Designed in Finland, the unique TK-35 wood stove is an efficient and modern hot tub heater. A 55-cm long fire chamber.

Included in the REXENER *Silence* hot tub.

*Heating rate up to 15 °C per hour*





## ALL REXENER HOT TUBS ARE MADE IN FINLAND

Designed and made in Finland! The hot tubs are manufactured in the hot tub workshop in Finland. The fibreglass pools are also manufactured in a local factory. The wood material comes from a Finnish saw mill. All of the raw materials are carefully selected and tested.

## HOT TUBS MADE TO LAST

We grant a 10-year warranty for the hot tubs' fibreglass pools and a 3-year warranty for the other parts. You can read more about the warranty terms on our website [www.rexener.com](http://www.rexener.com).





# 10 REASONS TO CHOOSE A REXENER HOT TUB



## REXENER

PREMIUM HOT TUBS FROM THE NORTH

**1. Unique pool design.** Whether enjoying your hot tub with a group of friends or by yourself, you will always find an easy sitting position. The ergonomic seat offers a comfortable seatback angle, and there is plenty of legroom.

**2. Uncompromising quality** – Finnish craftsmanship.

**3. Fast heating** – Warm hot tub in just up to two hours. Thermostat control keeps the hot tub from getting too cold or too hot.

(REXENER *Aurora* / REXENER *Polar*)

**4. The water stays clean for a long time.** No constant water changes.

(REXENER *Aurora* / REXENER *Polar*)

**5. Strong and sturdy wooden frame.** Wood material comes from a Finnish sawmill.

**6. Pool mould design based on solid experience.** The material is durable, easy-care fibreglass made in Finland. The pool is easy to drain. We grant a 10-year warranty for the fibreglass pool.

**7. Full thermal insulation,** designed for northern conditions.

**8. HIGH-quality components.** Designed to last.

**9. Maintenance service and spare parts** available from the manufacturer. Life-long technical support.

**10. Low operating costs.**





REXENER – Unique hot tub design





# REXENER

PREMIUM HOT TUBS FROM THE NORTH



## WE ARE HERE FOR YOU

### UK

013 553 773 70  
info@rexnordic.com

### FINLAND

040 180 11 11  
info@rexnordic.com

### NORWAY

4000 66 16  
info@rexnordic.com

### SWEDEN

072 200 22 22  
info@rexnordic.com

### EUROPE

+358 40 180 11 11  
info@rexnordic.com